

US00D603199S

(12) **United States Design Patent**
Knowles

(10) **Patent No.:** **US D603,199 S**
(45) **Date of Patent:** **** Nov. 3, 2009**

(54) **SQUEEZING DEVICE FOR COLLAPSIBLE FLEXIBLE TUBES**

6,685,057 B1 2/2004 Sullivan
D544,739 S * 6/2007 Knowles D6/541
D574,173 S * 8/2008 Green D6/541

(76) Inventor: **Ronald R. Knowles**, 5711 Richmond Ave., Garden Grove, CA (US) 92845

* cited by examiner

(**) Term: **14 Years**

Primary Examiner—Brian N Vinson
(74) *Attorney, Agent, or Firm*—Crossley Patent Law; Mark A. Crossley

(21) Appl. No.: **29/335,200**

(22) Filed: **Apr. 9, 2009**

(57) **CLAIM**

(51) **LOC (9) Cl.** **23-02**

The ornamental design for a squeezing device for collapsible flexible tubes, as shown and described.

(52) **U.S. Cl.** **D6/541**

(58) **Field of Classification Search** D6/541;
222/95-96, 98-99, 101, 103; 206/77

DESCRIPTION

See application file for complete search history.

FIG. 1 is a front elevation view of a squeezing device for collapsible flexible tubes showing my new design, the opposite side being a mirror image of the shown;

(56) **References Cited**

U.S. PATENT DOCUMENTS

FIG. 2 is a bottom plan view thereof;

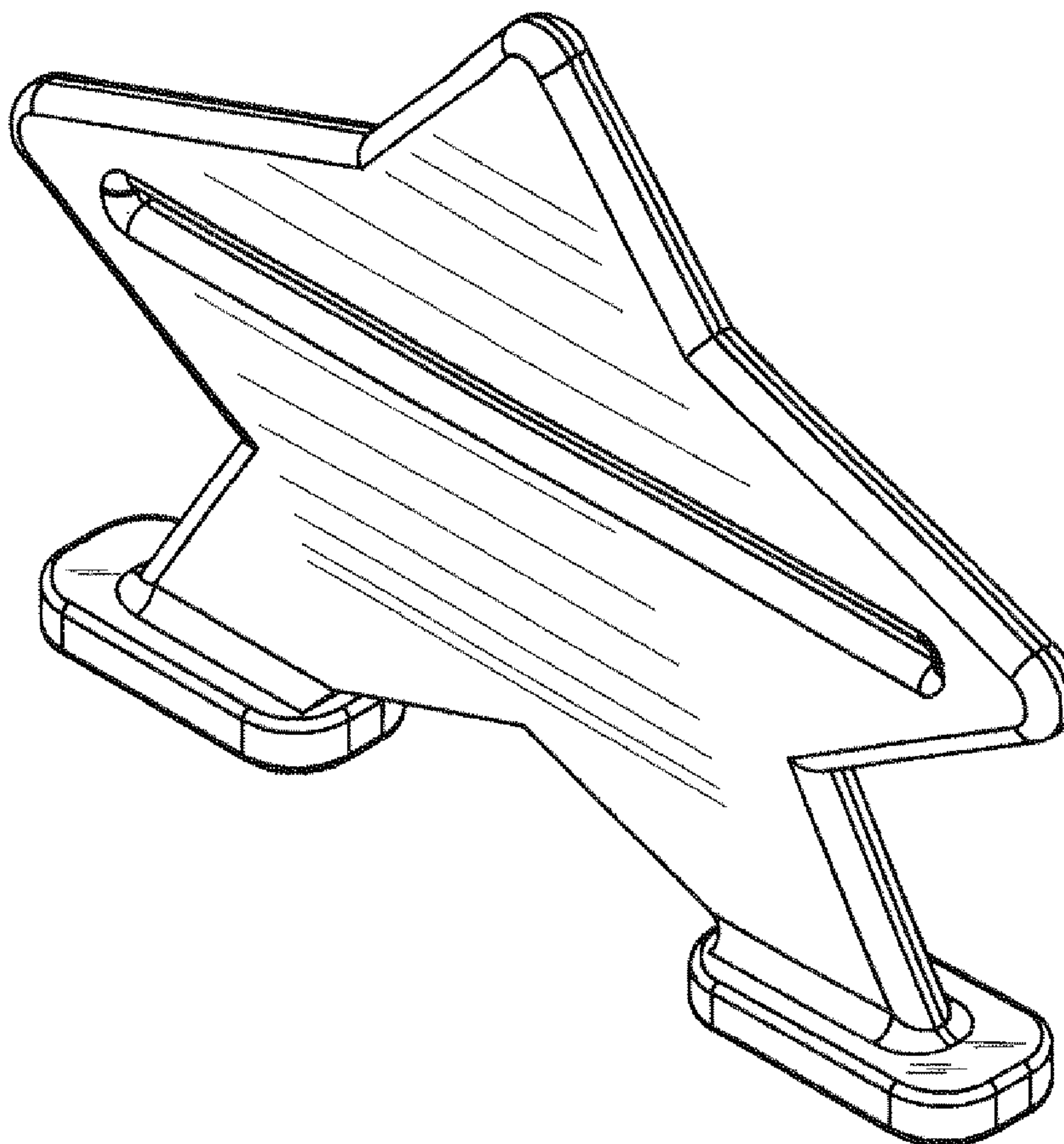
2,390,314 A	12/1945	Massey	
D352,624 S	11/1994	Voiss	
D378,557 S	3/1997	Tal	
5,857,593 A	1/1999	Patronaggio	
D407,253 S *	3/1999	Smith D6/541
6,189,737 B1	2/2001	Condon	
6,415,479 B1	7/2002	Steinberg	

FIG. 3 is a top plan view thereof;

FIG. 4 is an isometric view thereof; and,

FIG. 5 is a right elevation view thereof, the opposite side being a mirror image of the shown.

1 Claim, 2 Drawing Sheets



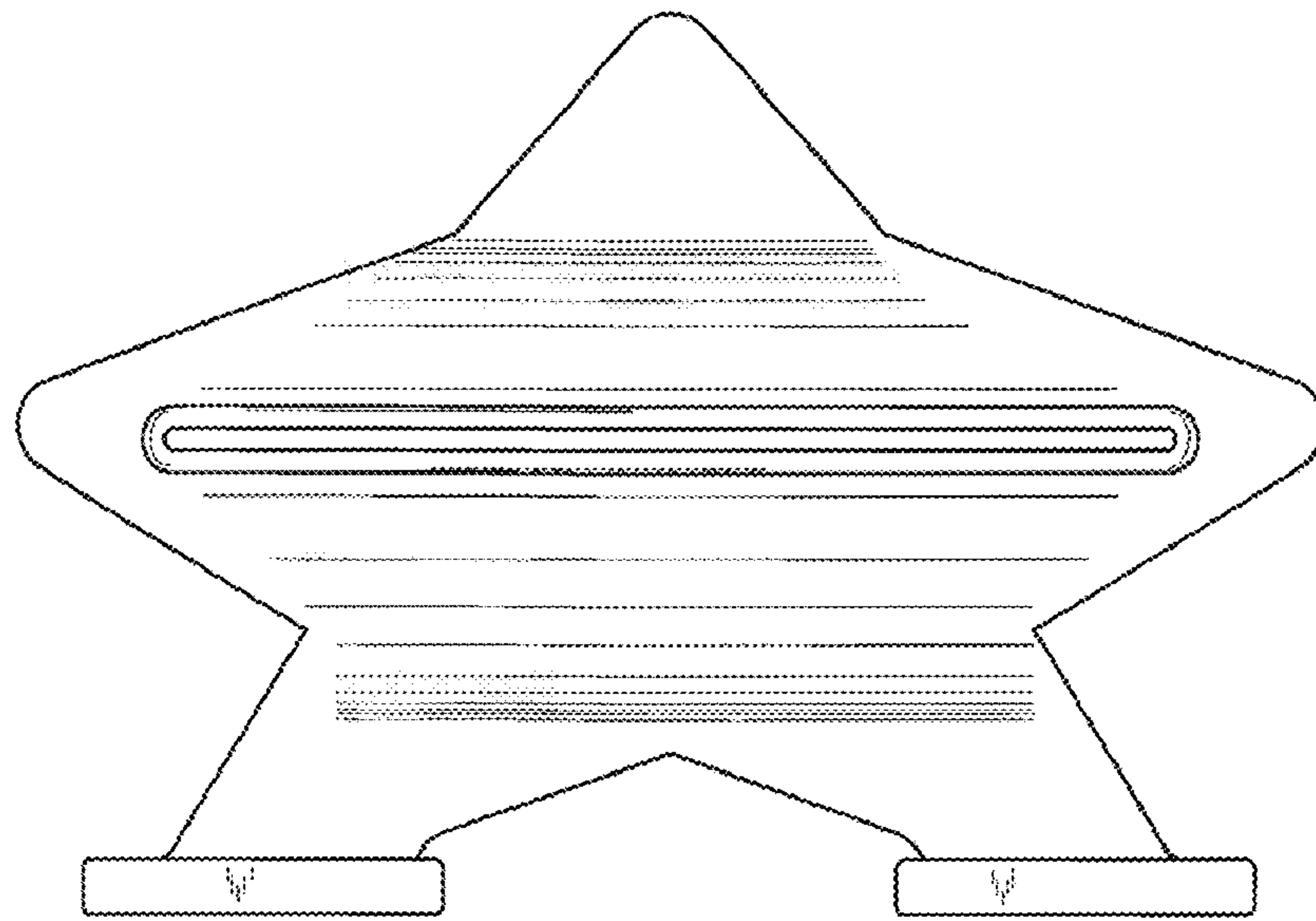


Fig. 1

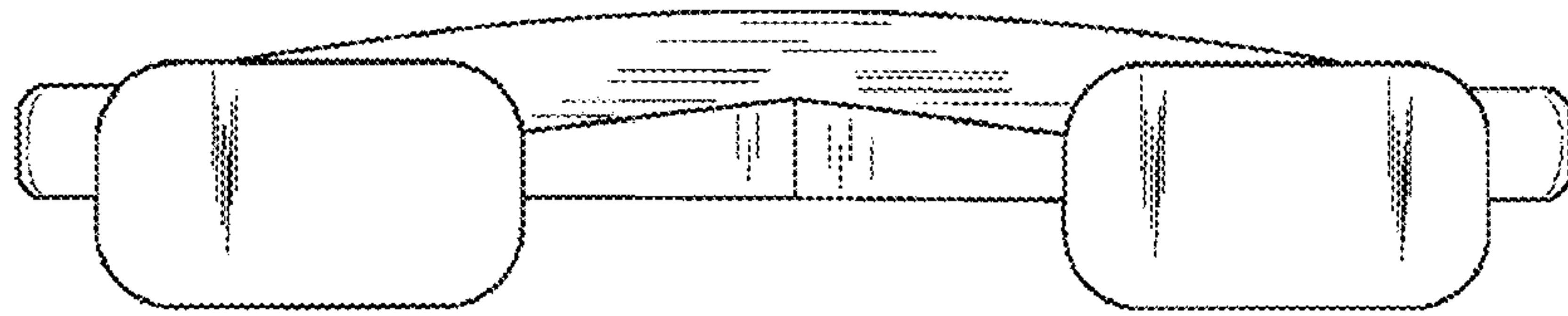


Fig. 2

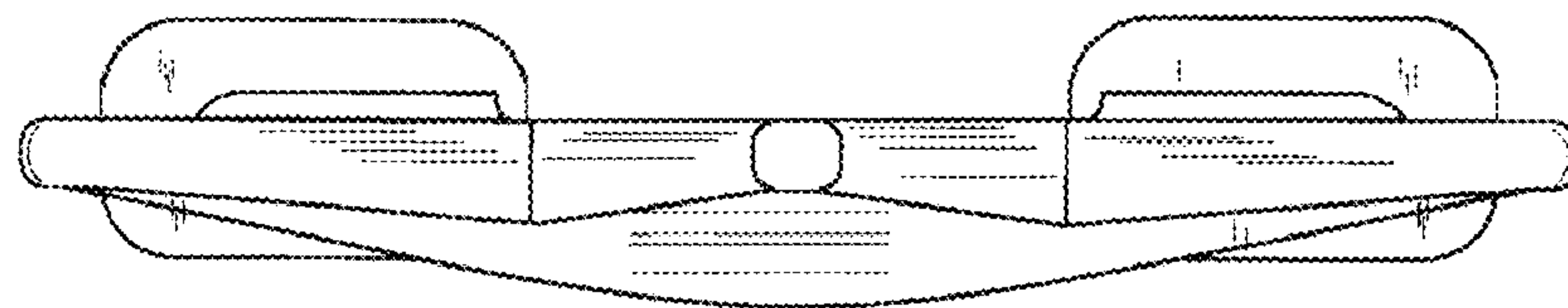


Fig. 3

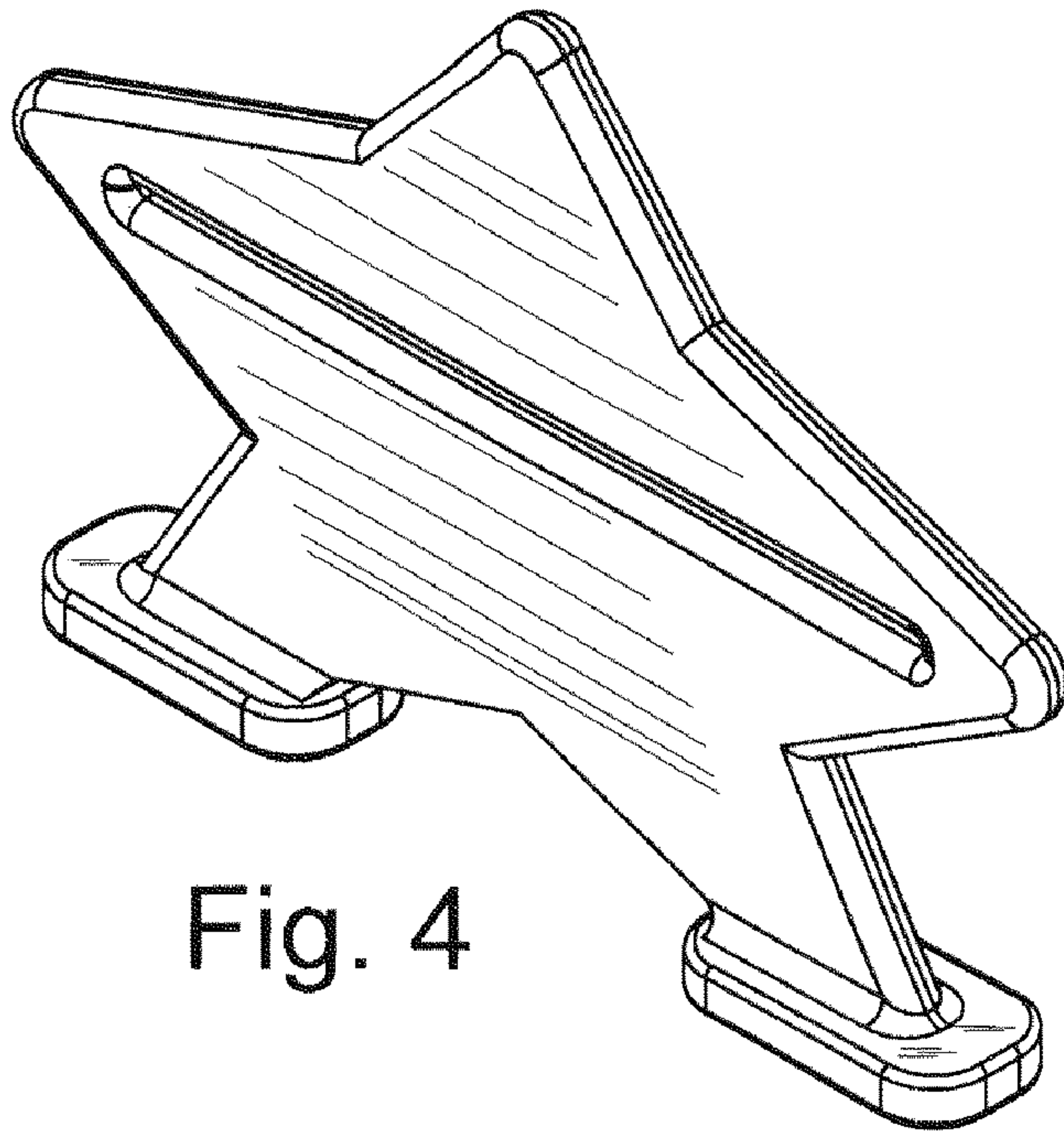


Fig. 4

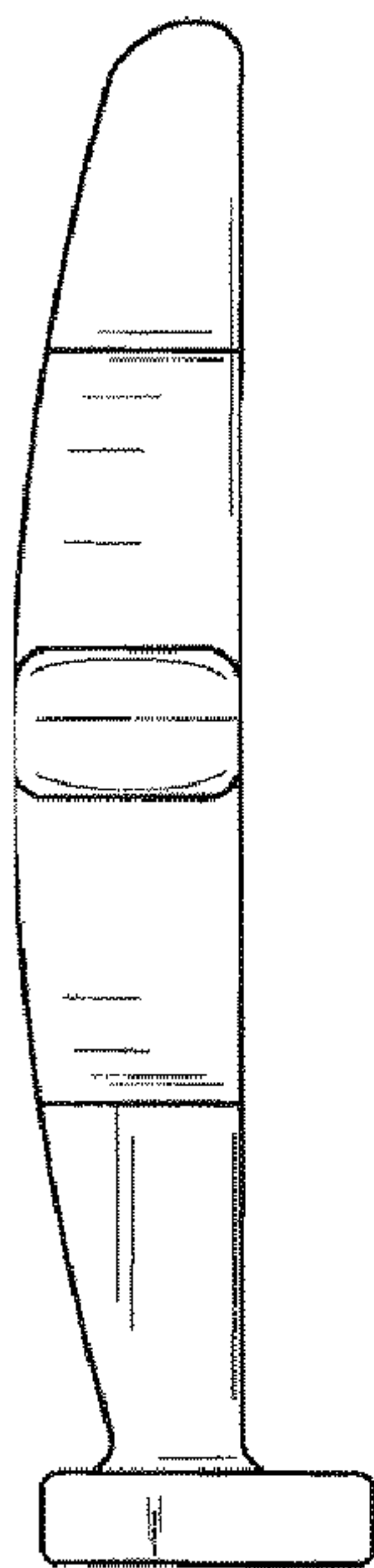


Fig. 5