

US00D603198S

(12) **United States Design Patent**
Guindi

(10) **Patent No.:** **US D603,198 S**

(45) **Date of Patent:** **** Nov. 3, 2009**

(54) **SHOWER CADDY**

D595,076 S * 6/2009 Snider D6/525

(75) Inventor: **Henry V. Guindi**, Brooklyn, NY (US)

* cited by examiner

(73) Assignee: **HDS Trading Corp.**, North Brunswick, NJ (US)

Primary Examiner—Brian N Vinson
(74) *Attorney, Agent, or Firm*—Rankin, Hill & Clark LLP

(**) Term: **14 Years**

(57) **CLAIM**

(21) Appl. No.: **29/340,562**

The ornamental design for a shower caddy, as shown and described.

(22) Filed: **Jul. 21, 2009**

DESCRIPTION

(51) **LOC (9) Cl.** **23-02**

(52) **U.S. Cl.** **D6/525**

(58) **Field of Classification Search** D6/524,
D6/525, 566, 536, 540; 211/13.1, 74, 71.01,
211/86.01, 75, 88.01, 90.01, 90.03, 106,
211/119, 126.1, 133.5, 181.1, 134

See application file for complete search history.

FIG. 1 is a front right perspective view of a shower caddy.

FIG. 2 is a front elevational view of the shower caddy of FIG. 1.

FIG. 3 is a rear elevational view of the shower caddy of FIG. 1.

FIG. 4 is a left side elevational view of the shower caddy of FIG. 1.

FIG. 5 is a right side elevational view of the shower caddy of FIG. 1.

FIG. 6 is a top plan view of the shower caddy of FIG. 1; and,

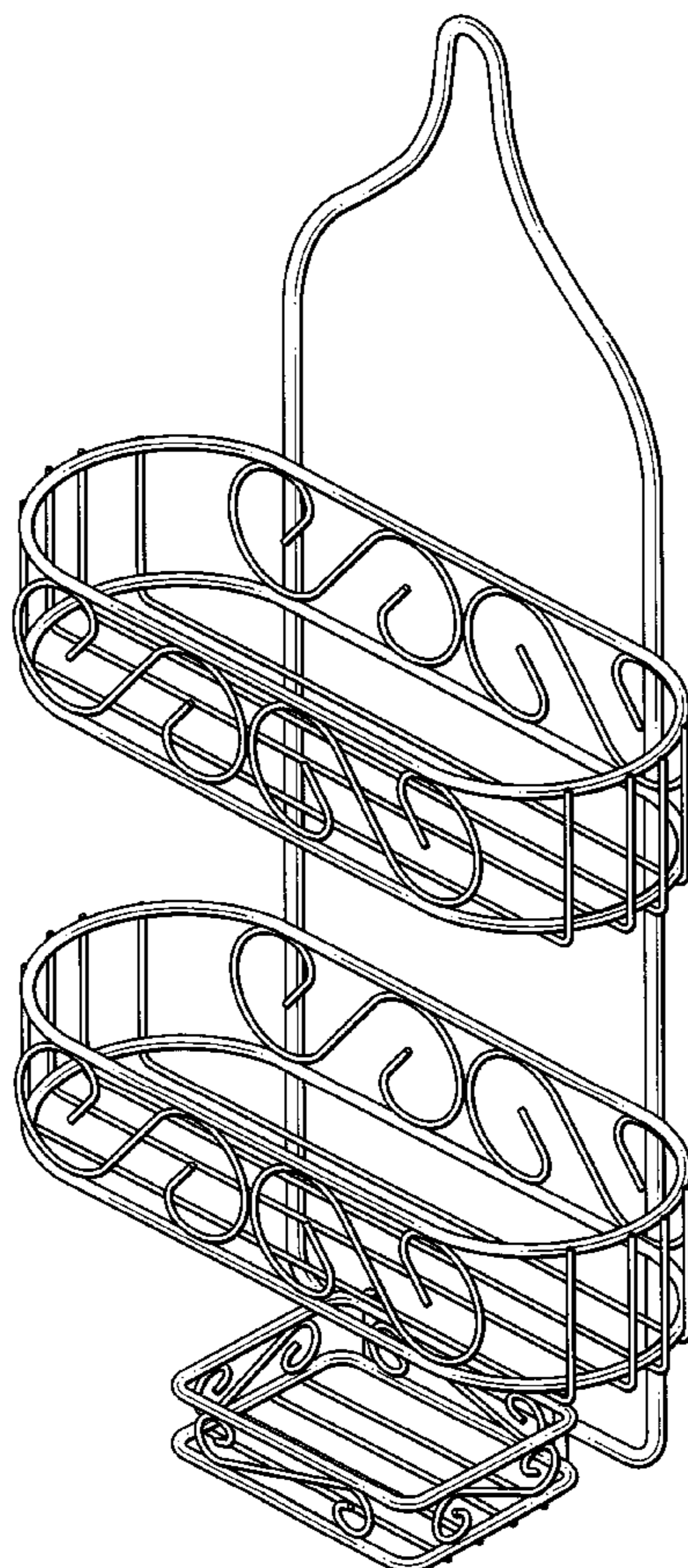
FIG. 7 is a bottom plan view of the shower caddy of FIG. 1.

(56) **References Cited**

U.S. PATENT DOCUMENTS

D552,392 S *	10/2007	Rosen	D6/525
D566,439 S *	4/2008	Dretzka	D6/525
D568,657 S *	5/2008	Snider	D6/525
D572,062 S *	7/2008	Snider	D6/525
D575,087 S *	8/2008	Ghiorghie	D6/525

1 Claim, 5 Drawing Sheets



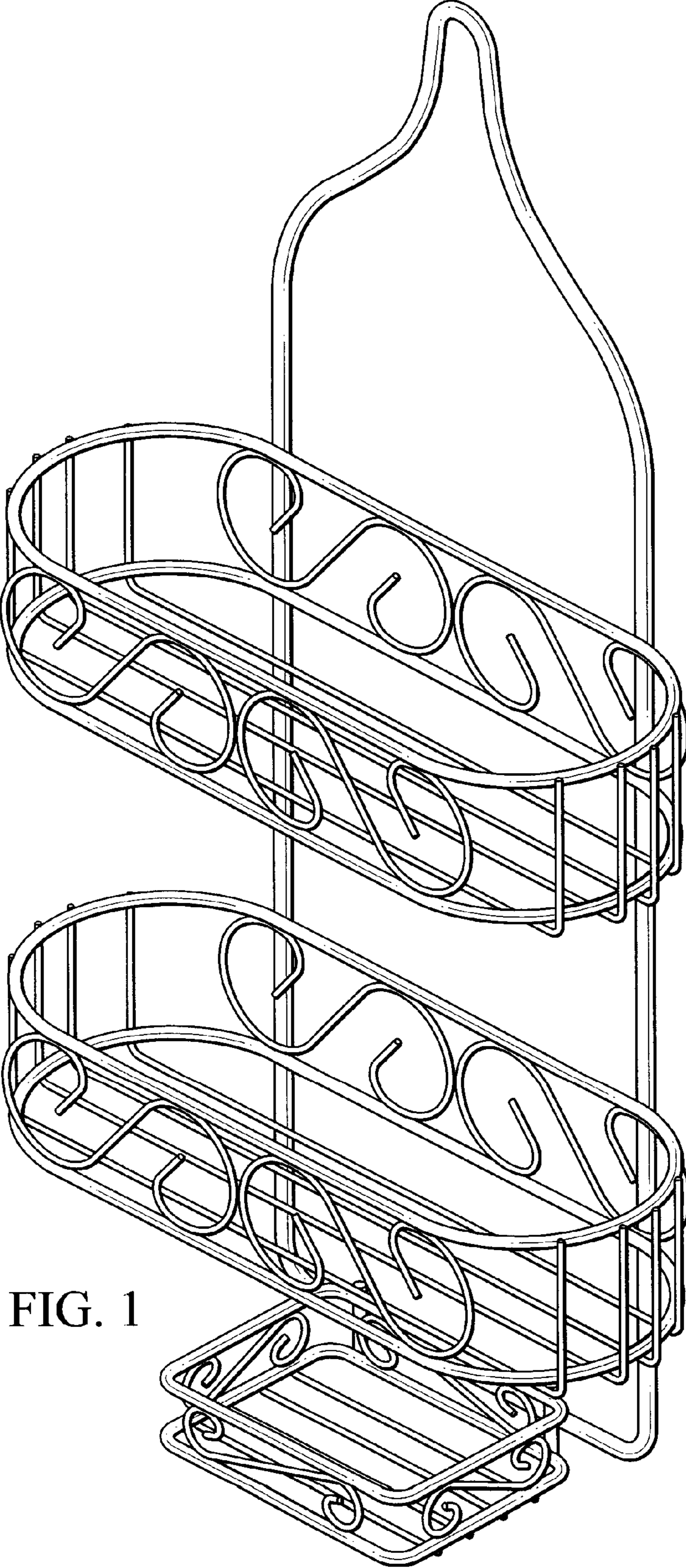


FIG. 1

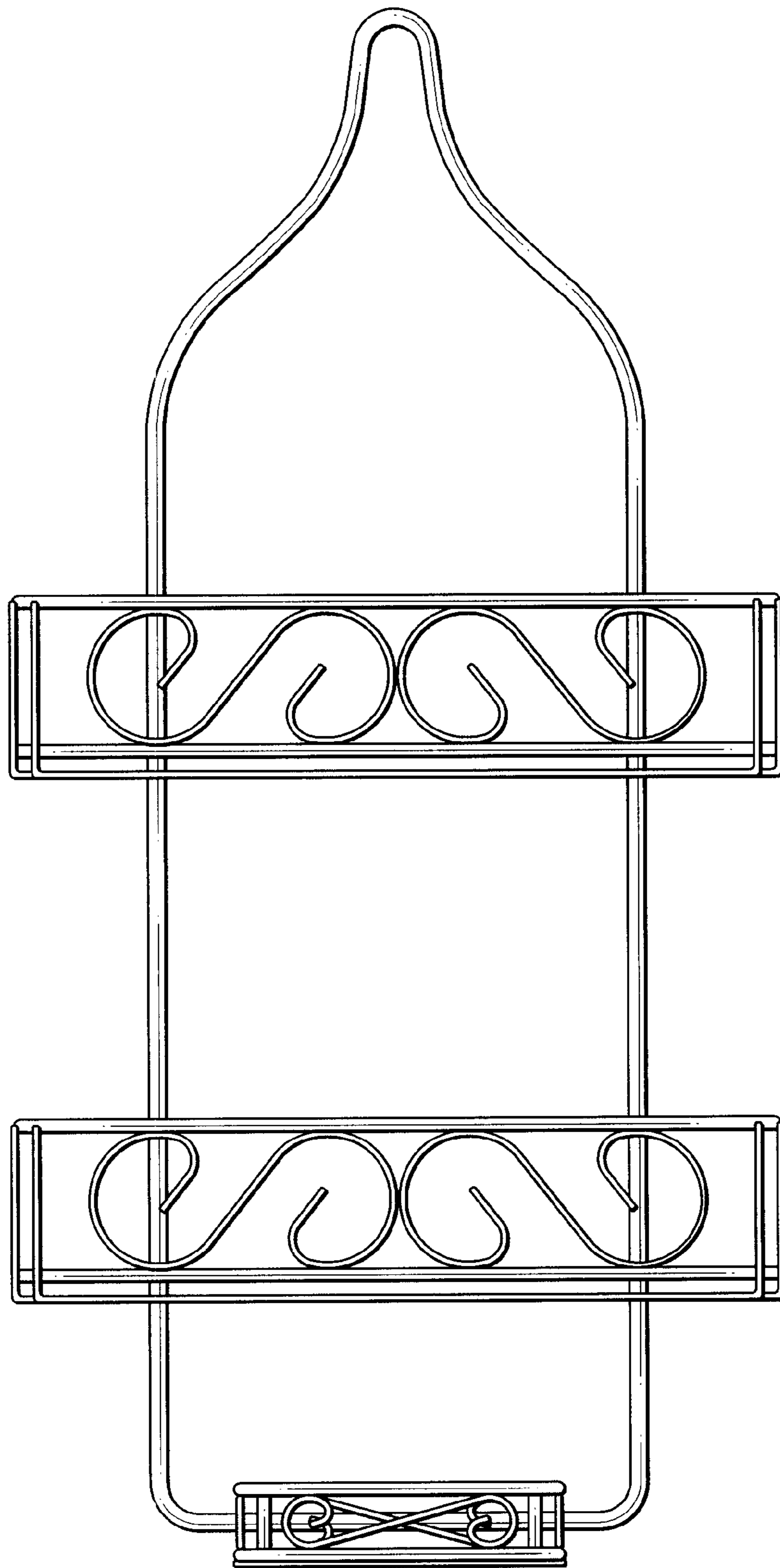


FIG. 2

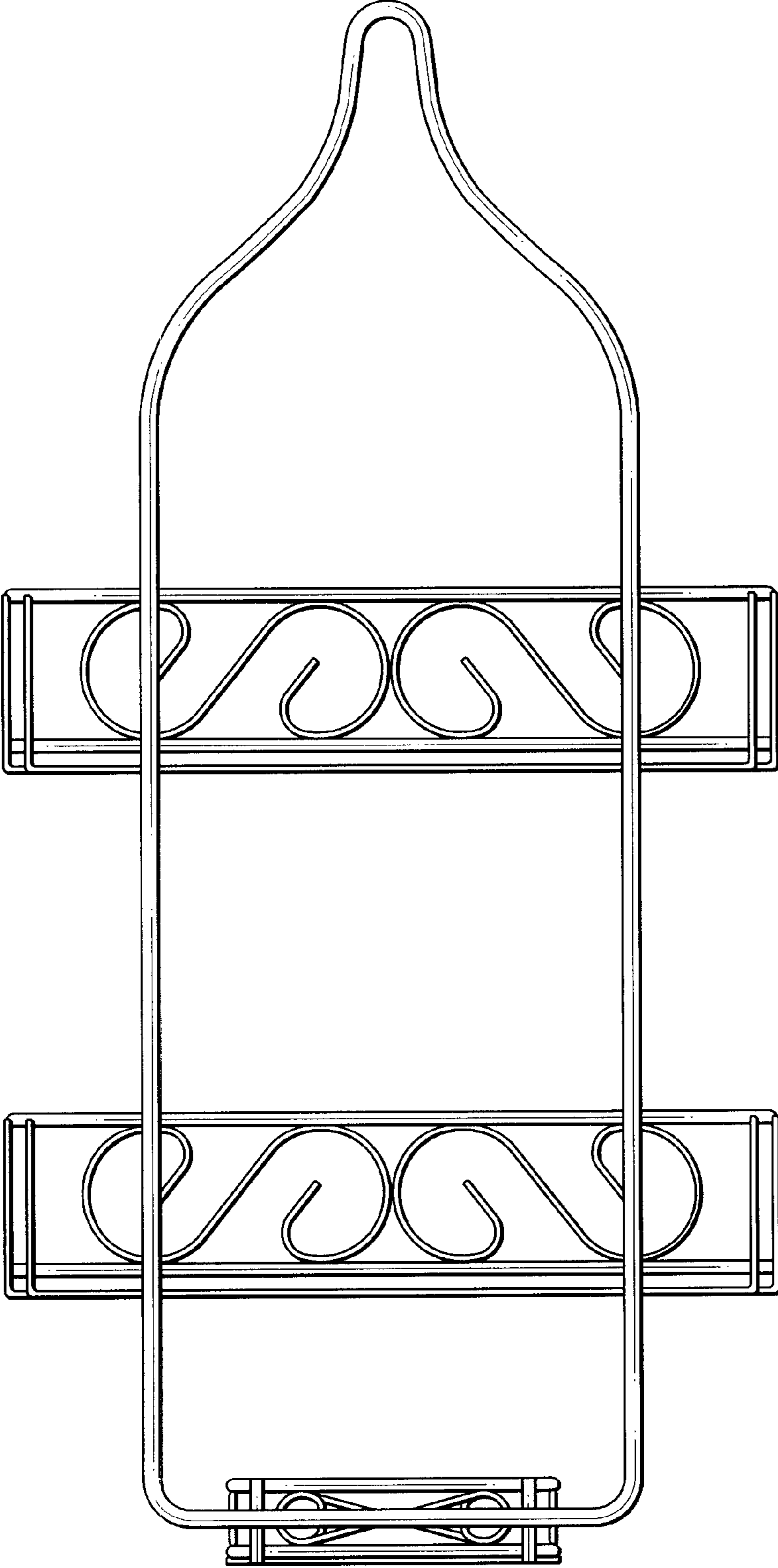


FIG. 3

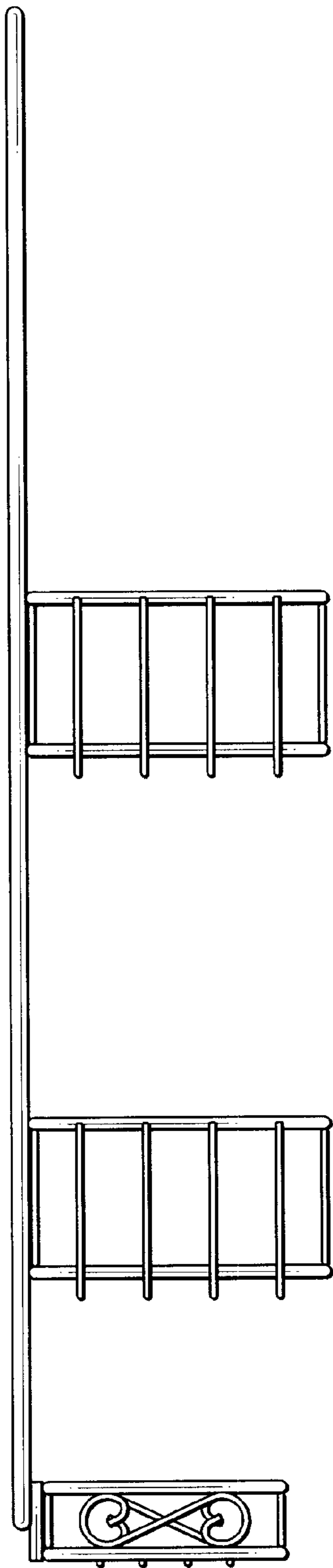


FIG. 4

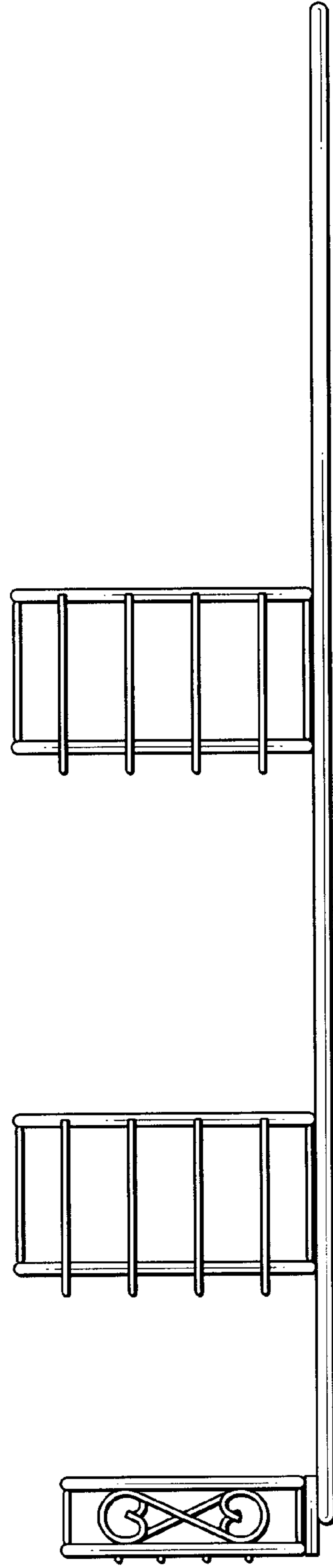


FIG. 5

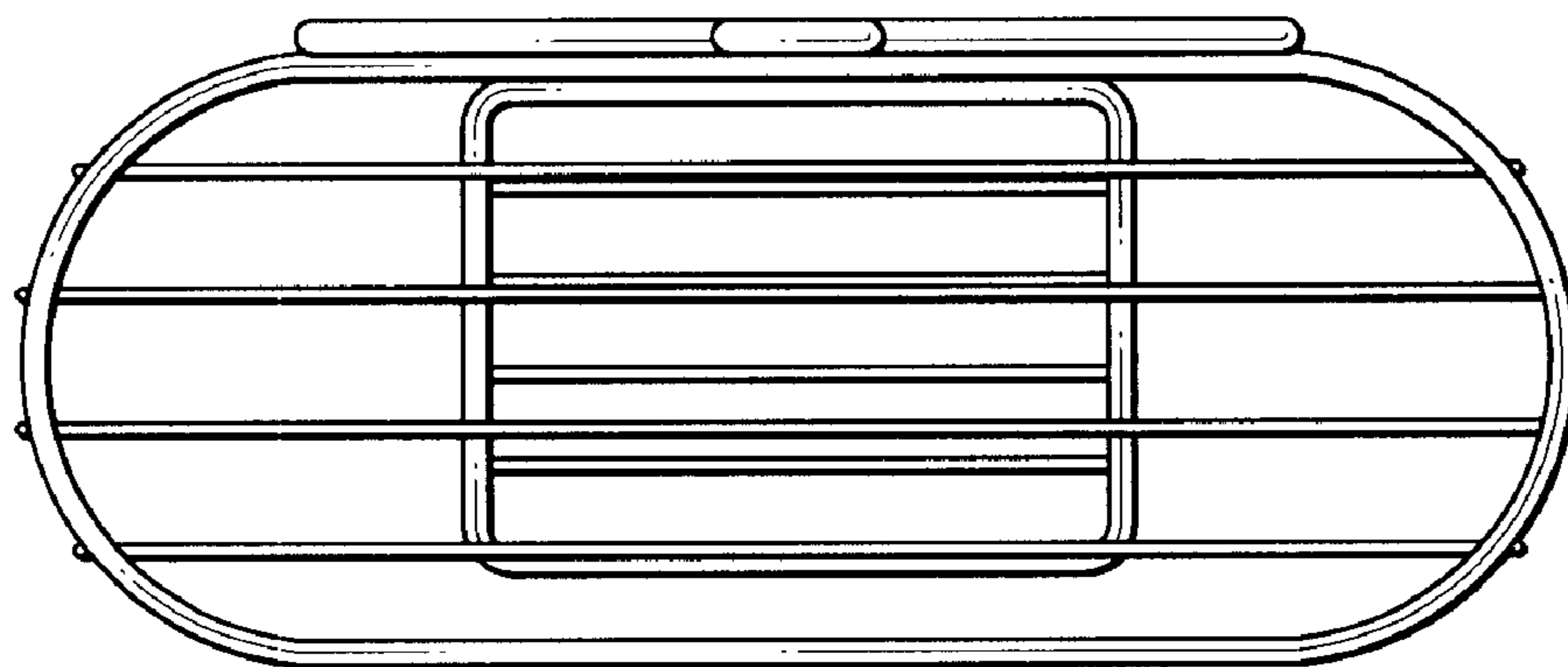


FIG. 6

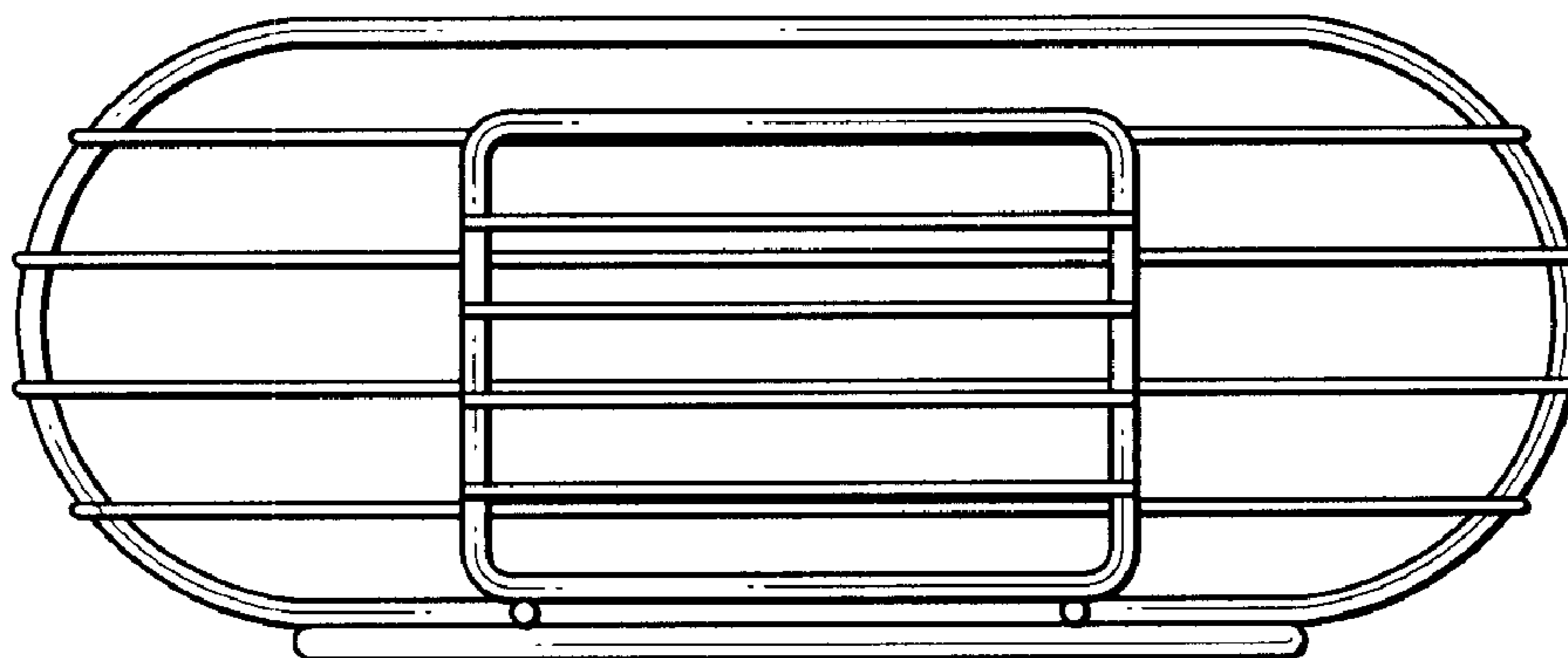


FIG. 7