



US00D603189S

(12) **United States Design Patent**
Raile

(10) **Patent No.:** **US D603,189 S**
(45) **Date of Patent:** **** Nov. 3, 2009**

(54) **EYEGLASS DISPLAY**

(75) Inventor: **Bruce Raile**, Park City, UT (US)

(73) Assignee: **Sun Optics, Inc.**, Salt Lake City, UT (US)

(**) Term: **14 Years**

(21) Appl. No.: **29/297,463**

(22) Filed: **Nov. 12, 2007**

Related U.S. Application Data

(63) Continuation of application No. 29/283,411, filed on Aug. 13, 2007, which is a continuation of application No. 29/246,909, filed on May 19, 2006, now Pat. No. Des. 554,903, which is a continuation of application No. 29/227,263, filed on Apr. 8, 2005, now Pat. No. Des. 534,016.

(51) **LOC (9) Cl.** **06-07**

(52) **U.S. Cl.** **D6/469**

(58) **Field of Classification Search** D6/469,
D6/467, 466, 534, 528; 211/85.1, 85.13,
211/85.4, 60.1, 62, 69.1, 70.3, 70.4, 70.6,
211/70.7, 70.8, 107, 49.1, 63, 75, 87.01,
211/90.04, 70.1, 89.01, 74; D19/60; D24/234,
D24/227, 224, 230, 226, 229; D20/10; D13/119;
D3/313; 422/104; D99/34

See application file for complete search history.

(56) **References Cited**

U.S. PATENT DOCUMENTS

246,460 A 8/1881 Chase et al.
356,858 A 2/1887 Towson
658,042 A 9/1900 Mendel
D154,674 S 8/1949 Gochenour, Jr.
D176,466 S 12/1955 La Barre
2,728,485 A 12/1955 Howard
2,809,766 A 10/1957 Anderson
2,809,786 A 10/1957 Anderson

3,144,343 A 8/1964 Fritsche
3,184,319 A 5/1965 Fritsche
D201,420 S 6/1965 Bernad et al.
3,288,280 A 11/1966 Bostrom
3,676,159 A 7/1972 Fallowfield
D237,779 S 11/1975 Lucas
3,921,804 A 11/1975 Tester
3,987,892 A 10/1976 Killy
D244,117 S 4/1977 Naylor

(Continued)

OTHER PUBLICATIONS

U.S. Appl. No. 29/234,978, filed Jul. 26, 2005, Raile.

(Continued)

Primary Examiner—Caron Veynar
Assistant Examiner—Sydney R Buffalow
(74) *Attorney, Agent, or Firm*—Workman Nydegger

(57) **CLAIM**

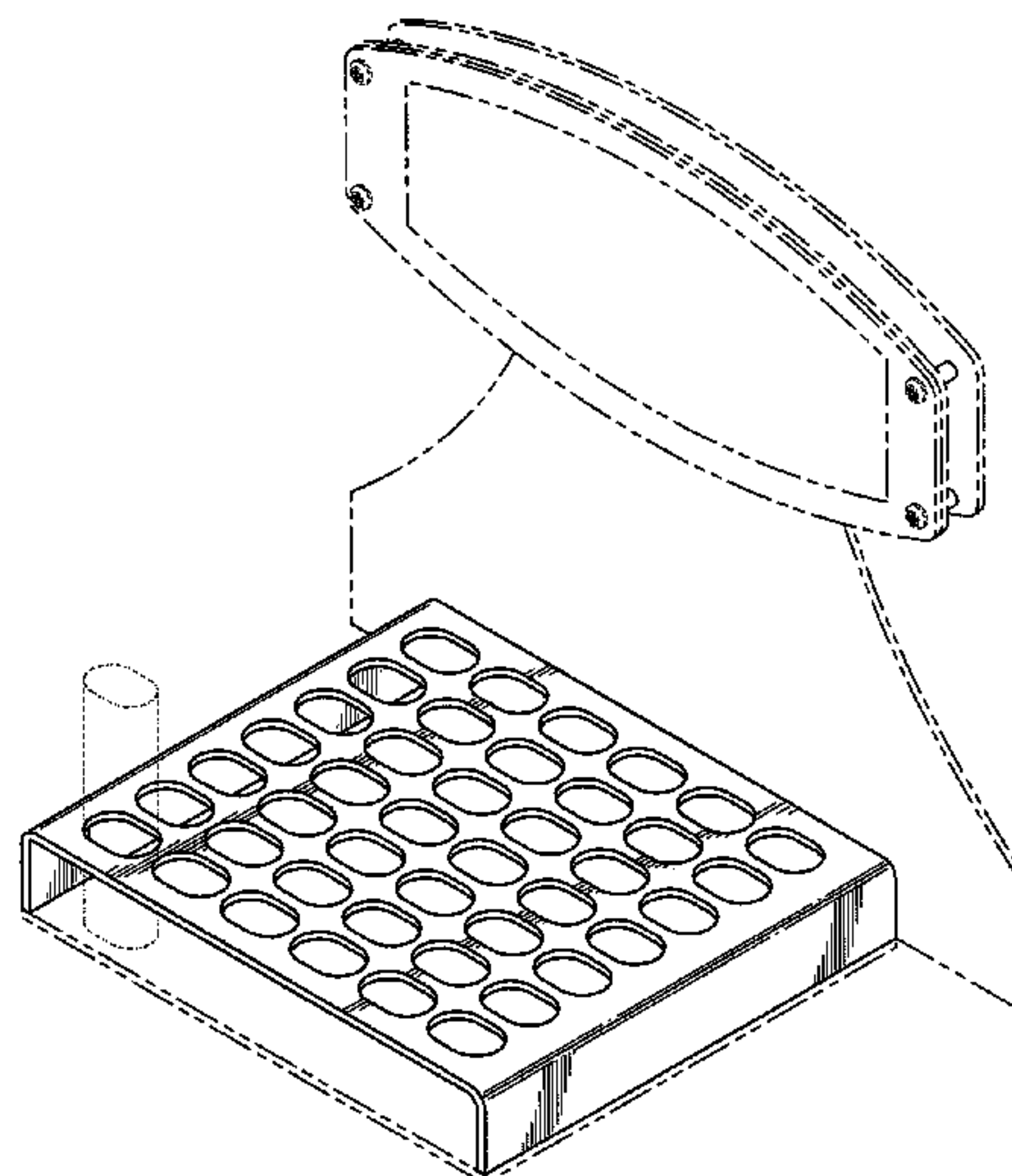
The ornamental design for an eyeglass display, as shown and described.

DESCRIPTION

FIG. 1 is a perspective view of an eyeglass display;
FIG. 2 is a top plan view of the eyeglass display as shown in FIG. 1;
FIG. 3 is a front elevational view of the eyeglass display shown in FIG. 1;
FIG. 4 is a bottom plan view of the eyeglass display as shown in FIG. 1;
FIG. 5 is a back elevational view of the eyeglass display as shown in FIG. 1; and,
FIG. 6 is a left side elevational view of the eyeglass display as shown in FIG. 1, with the right side being a mirror image thereof.

The broken lines are for illustrative purposes only and form no part of the claimed design.

1 Claim, 4 Drawing Sheets



US D603,189 S

Page 2

U.S. PATENT DOCUMENTS

| | | | | | | | |
|---------------|---------|----------------------|---------|-----------------|---------|-----------------------|---------|
| D248,045 S * | 5/1978 | Bassett et al. | D24/229 | D446,389 S | 8/2001 | Zhou | |
| D249,433 S | 9/1978 | Carlsen | | 6,273,246 B1 | 8/2001 | Marciano | |
| D253,384 S | 11/1979 | Glassenberg | | D448,854 S * | 10/2001 | Kuiper et al. | D24/230 |
| 4,228,743 A | 10/1980 | Crook | | D449,779 S | 10/2001 | Otto | |
| 4,240,557 A | 12/1980 | Dickens | | D450,239 S | 11/2001 | Otto | |
| 4,331,245 A | 5/1982 | Schell | | D450,591 S | 11/2001 | Escola Gallart et al. | |
| D271,000 S | 10/1983 | Rimer | | D451,015 S | 11/2001 | Otto | |
| D286,462 S | 11/1986 | Sender et al. | | D451,382 S | 12/2001 | Adkins | |
| D294,548 S | 3/1988 | Wallace | | D454,686 S | 3/2002 | McCormack | |
| D301,575 S * | 6/1989 | Crawford, Jr. | D13/119 | D458,092 S | 6/2002 | Rumpf | |
| 4,925,038 A | 5/1990 | Gajewski | | D461,554 S * | 8/2002 | Lafond et al. | D24/230 |
| D319,156 S | 8/1991 | Cugley | | D464,982 S | 10/2002 | Thixton et al. | |
| 5,057,282 A | 10/1991 | Linder | | D467,421 S | 12/2002 | Chao | |
| D323,400 S | 1/1992 | Frenkel et al. | | 6,491,158 B2 | 12/2002 | Chen | |
| D332,442 S * | 1/1993 | Simpson, Sr. | D13/119 | D471,991 S | 3/2003 | Maylon et al. | |
| D332,664 S * | 1/1993 | Sincock | D24/227 | 6,533,133 B2 | 3/2003 | Liu | |
| D337,016 S | 7/1993 | Fortescue | | D474,274 S | 5/2003 | Walters | |
| D338,965 S * | 8/1993 | Glanz et al. | D24/226 | D475,732 S | 6/2003 | Conner | |
| D339,017 S | 9/1993 | Goodman et al. | | D479,126 S | 9/2003 | Kumakura et al. | |
| D339,913 S | 10/1993 | Reed | | D479,552 S | 9/2003 | Emanuele | |
| D342,400 S | 12/1993 | Bustos | | D481,060 S | 10/2003 | Egbert et al. | |
| D344,419 S | 2/1994 | Stoddard | | D483,944 S | 12/2003 | Conner | |
| 5,358,128 A | 10/1994 | Belokin et al. | | D484,011 S | 12/2003 | Strobel et al. | |
| D352,454 S | 11/1994 | Krupa | | 6,655,800 B2 | 12/2003 | Takeda et al. | |
| D359,126 S * | 6/1995 | Hovatter | D24/227 | 6,705,723 B1 | 3/2004 | Lavie | |
| 5,423,419 A | 6/1995 | Wentz et al. | | D489,960 S | 5/2004 | Grendahl | |
| D360,321 S * | 7/1995 | Wang et al. | D6/469 | D494,228 S | 8/2004 | Lane | |
| D361,638 S | 8/1995 | Desgrippes | | D496,191 S | 9/2004 | Johnson | |
| 5,451,113 A | 9/1995 | Lund | | D496,193 S | 9/2004 | Mason | |
| D364,762 S | 12/1995 | Compton et al. | | 6,851,552 B1 | 2/2005 | Chao | |
| D369,415 S * | 4/1996 | Boulton et al. | D24/224 | D504,550 S * | 4/2005 | Setcer, Jr. | D99/34 |
| 5,514,343 A * | 5/1996 | Verwohlt et al. | 422/104 | D505,866 S | 6/2005 | Raile | |
| 5,571,481 A | 11/1996 | Powell et al. | | D506,396 S | 6/2005 | Raile | |
| D376,477 S | 12/1996 | Patterson et al. | | D506,681 S | 6/2005 | Raile | |
| 5,579,929 A | 12/1996 | Schwartz | | D506,682 S | 6/2005 | Raile | |
| D381,515 S * | 7/1997 | Haynes | D3/313 | D506,833 S | 6/2005 | Wescott, III | |
| D387,874 S * | 12/1997 | Vila | D24/227 | D507,658 S | 7/2005 | Wescott, III | |
| D392,144 S | 3/1998 | Vogler | | D509,382 S | 9/2005 | Raile | |
| 5,725,109 A | 3/1998 | Moulton et al. | | D510,530 S | 10/2005 | Raile | |
| D400,009 S | 10/1998 | Conway | | D525,426 S | 7/2006 | Raile | |
| D400,030 S | 10/1998 | Wetzel | | D525,427 S | 7/2006 | Raile | |
| D402,140 S | 12/1998 | Bustos | | D525,787 S | 8/2006 | Raile | |
| 5,899,371 A | 5/1999 | Weliver | | D525,788 S | 8/2006 | Raile | |
| D416,357 S | 11/1999 | Gobe | | D527,179 S | 8/2006 | Raile | |
| 5,996,818 A * | 12/1999 | Boje et al. | 211/74 | D527,180 S | 8/2006 | Raile | |
| 6,003,694 A | 12/1999 | Sharp | | 7,100,777 B1 | 9/2006 | Kao | |
| 6,041,948 A | 3/2000 | Filipak et al. | | D530,541 S | 10/2006 | Raile | |
| D422,139 S | 4/2000 | Meikle | | D530,940 S | 10/2006 | Raile | |
| D423,555 S | 4/2000 | Conner | | D533,579 S | 12/2006 | Raile | |
| D425,299 S | 5/2000 | Charbonneau | | D533,736 S | 12/2006 | Raile | |
| 6,102,541 A | 8/2000 | Kuo | | D534,016 S | 12/2006 | Raile | |
| D430,758 S | 9/2000 | Skrzelowksi | | D536,261 S | 2/2007 | Raile | |
| D432,784 S | 10/2000 | Conway | | D536,905 S | 2/2007 | Raile | |
| D432,786 S | 10/2000 | Rogers | | D538,067 S | 3/2007 | Raile | |
| D432,909 S | 10/2000 | Pirro et al. | | D538,555 S | 3/2007 | Raile | |
| D433,936 S | 11/2000 | Pirro et al. | | 7,188,739 B1 | 3/2007 | Raile | |
| D433,936 S | 11/2000 | Pirro et al. | | 2001/0054595 A1 | 12/2001 | Cabrera | |
| D434,221 S | 11/2000 | Chao | | 2002/0080325 A1 | 6/2002 | Xiang | |
| D434,560 S | 12/2000 | Chao | | 2002/0157968 A1 | 10/2002 | Chen | |
| D436,266 S | 1/2001 | Buchanan et al. | | 2003/0025871 A1 | 2/2003 | Masunaga | |
| D436,434 S | 1/2001 | Conway | | 2003/0071962 A1 | 4/2003 | Nishihara | |
| D436,725 S | 1/2001 | Rogers | | 2003/0111361 A1 | 6/2003 | Fischer et al. | |
| 6,170,651 B1 | 1/2001 | Taormina | | 2003/0133071 A1 | 7/2003 | Ahn | |
| D437,112 S | 2/2001 | Toffoli | | 2004/0144739 A1 | 7/2004 | Marek | |
| D438,632 S * | 3/2001 | Miller | D24/224 | 2004/0211681 A1 | 10/2004 | Chao et al. | |
| 6,199,981 B1 | 3/2001 | Chao | | 2004/0223114 A1 | 11/2004 | Park | |
| 6,206,217 B1 | 3/2001 | Chiang | | 2005/0155872 A1 | 7/2005 | Cheng | |
| D439,738 S | 4/2001 | McCormack | | 2005/0279648 A1 | 12/2005 | Liebers | |
| D440,432 S | 4/2001 | Topper et al. | | | | | |
| D441,145 S | 4/2001 | Chang | | | | | |
| D441,953 S | 5/2001 | Ben Moshe | | | | | |
| D444,805 S | 7/2001 | Tiberghien | | | | | |

2006/0102569 A1 5/2006 Laga

OTHER PUBLICATIONS

U.S. Appl. No. 29/234,977, filed Jul. 26, 2005, Raile.
U.S. Appl. No. 29/246,911, filed May 19, 2006, Raile.
U.S. Appl. No. 29/246,908, filed May 19, 2006, Raile.
U.S. Appl. No. 29/246,909, filed May 19, 2006, Raile.
U.S. Appl. No. 29/248,658, filed Aug. 25, 2006, Raile.
U.S. Appl. No. 29/248,659, filed Aug. 25, 2006, Raile.
U.S. Appl. No. 29/249,568, filed Oct. 12, 2006, Raile.
U.S. Appl. No. 29/250,249, filed Nov. 7, 2006, Raile.
U.S. Appl. No. 29/275,011, filed Dec. 8, 2006, Raile.
U.S. Appl. No. 11/627,882, filed Jan. 26, 2007, Raile.
U.S. Appl. No. 29/279,329, filed Apr. 26, 2007, Raile.
U.S. Appl. No. 29/283,411, filed Aug. 13, 2007, Raile.

Pocket Clip & Tube Readers, Insight Eyeworks, circa Oct. 2001, 2 pages.

V. Mueller & Co., Chicago, Illinois, 1956, p. 747, LA-5165, LA-5170, LA-5195.

America Online Computer Eyewear, circa Apr. 2002, 1 page.

I. Line Precision Reading Eyewear, circa Apr. 2002, 1 page.

Insight Pocket Size Readers, circa Aug. 2002, 1 page.

Transparent Eyeglass Case, Insight Eyeworks, circa 2002, 1 page.

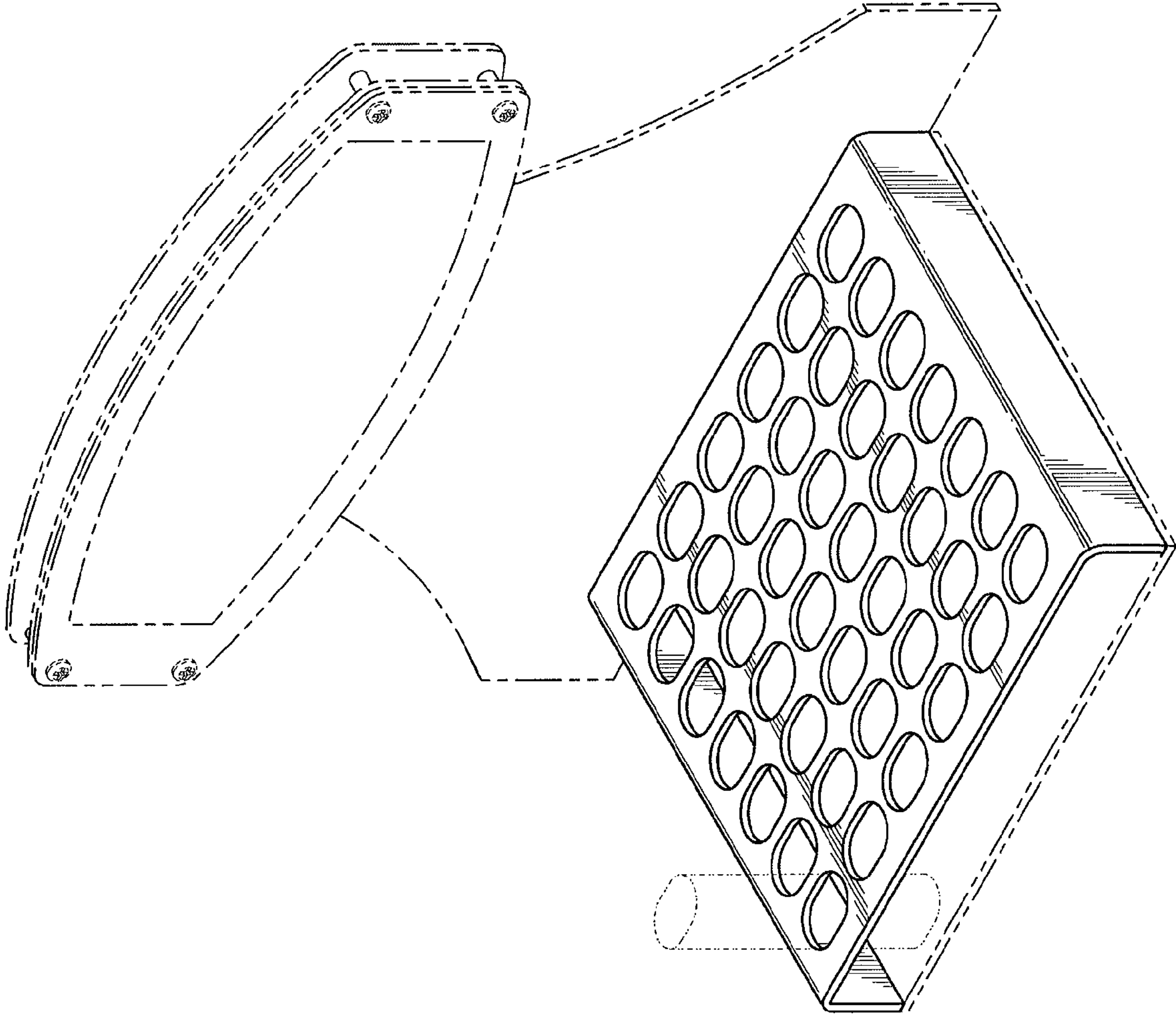
Office Action from U.S. Appl. No. 11/627,882, dated Dec. 22, 2008, 7 pages.

Office Action from U.S. Appl. No. 11/838,174, dated May 27, 2009, 5 pages.

Office Action from U.S. Appl. No. 11/838,174, dated Sep. 10, 2008, 7 pages.

* cited by examiner

Fig. 1



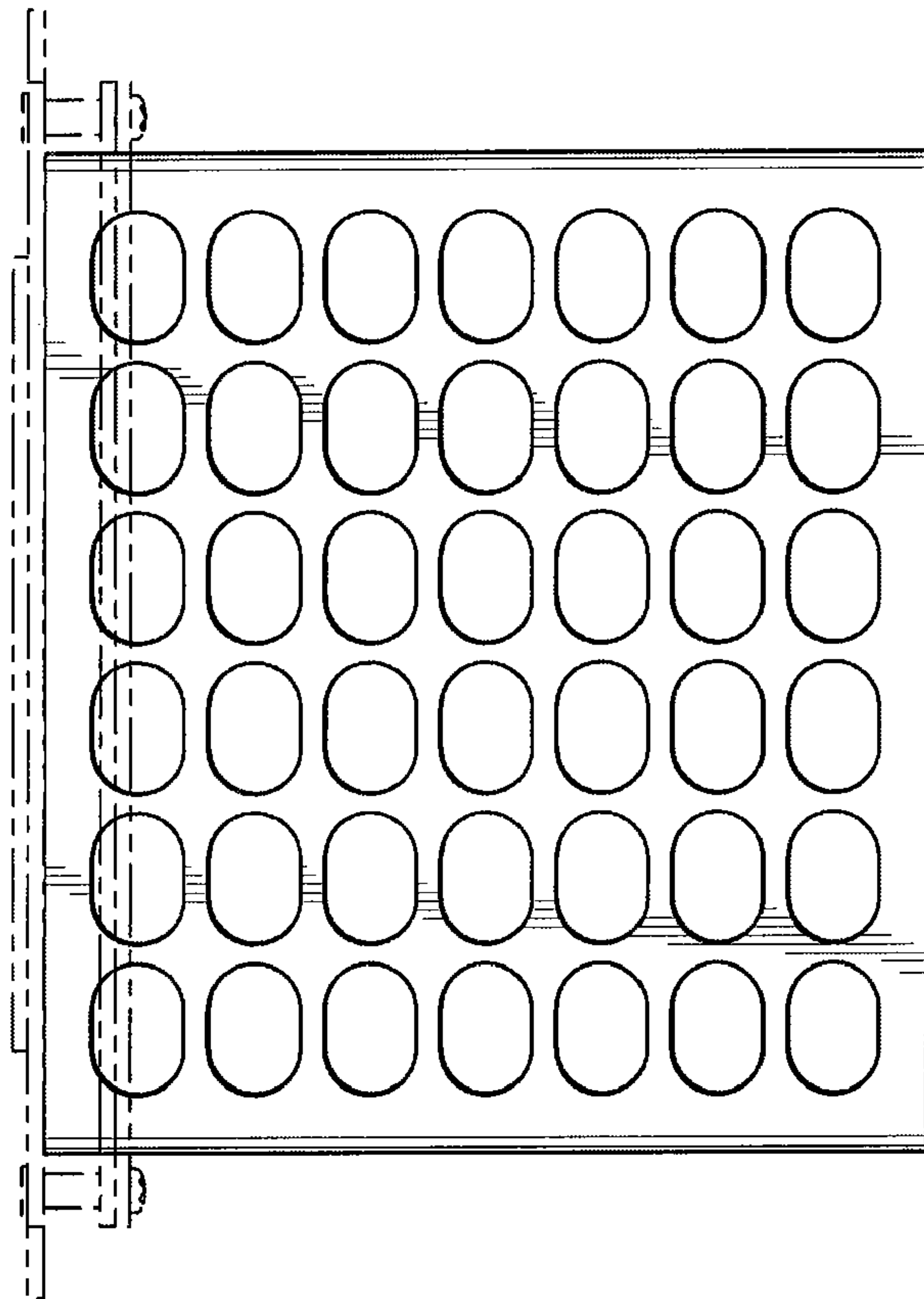


Fig. 2

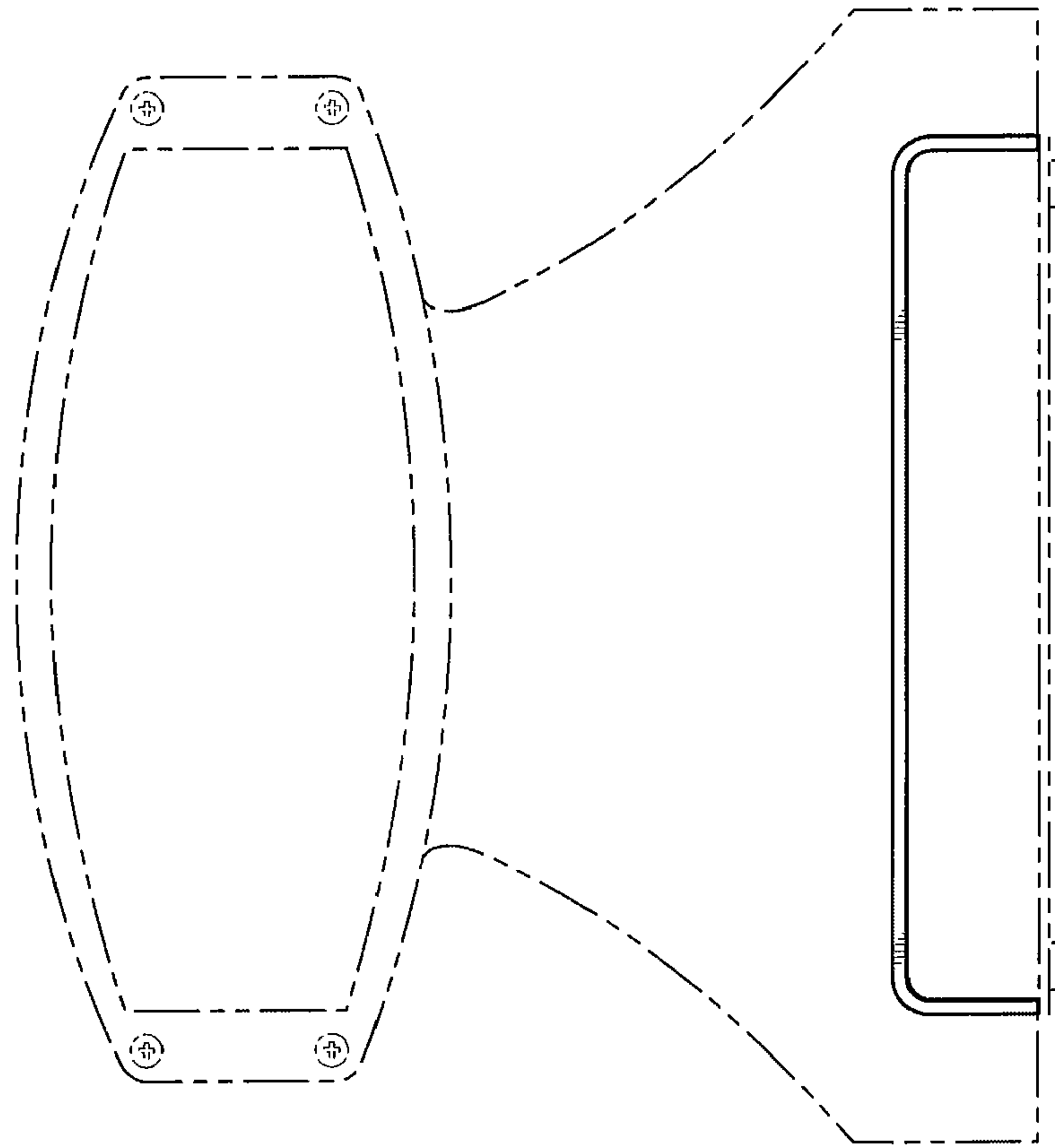


Fig. 3

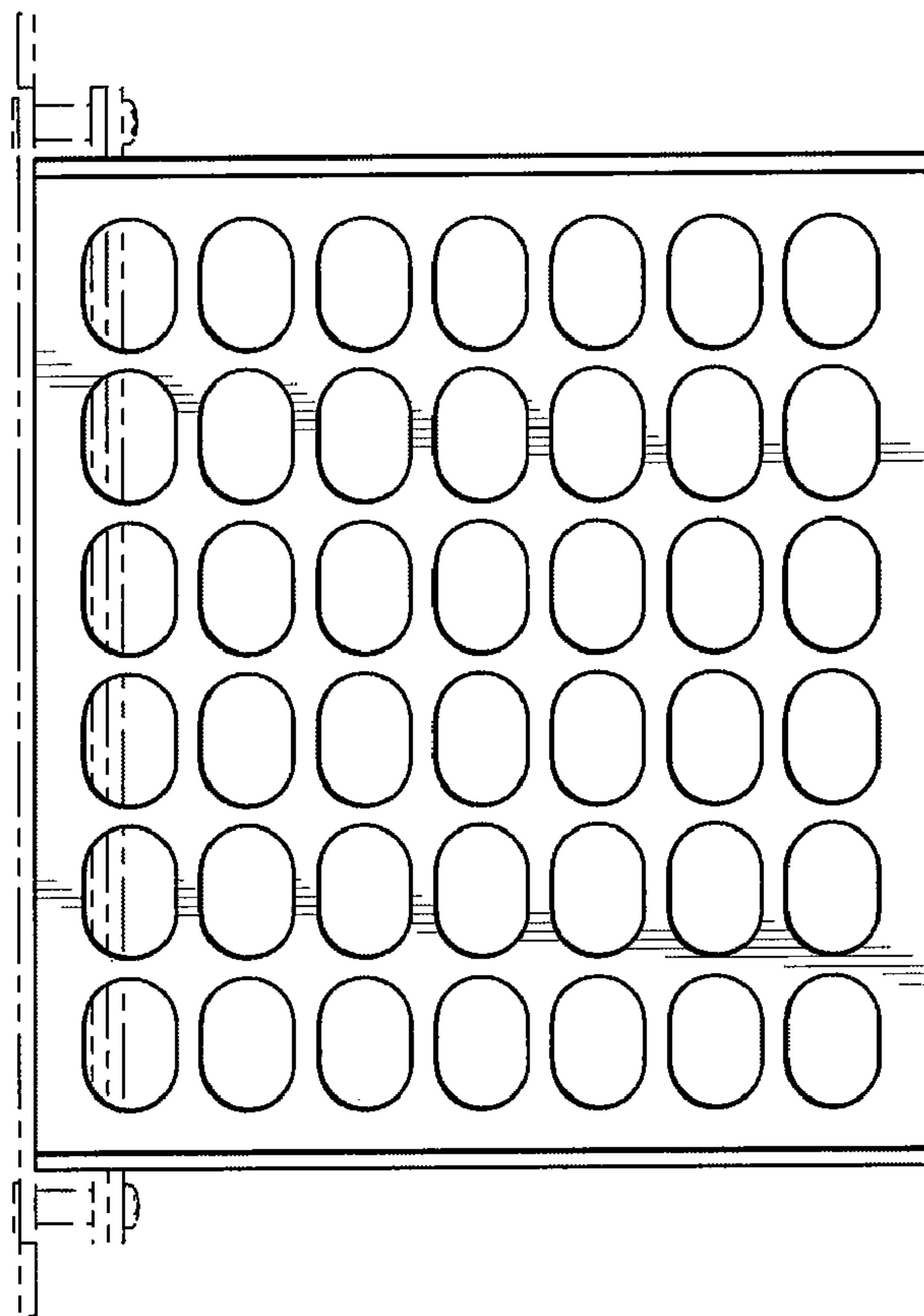


Fig. 4

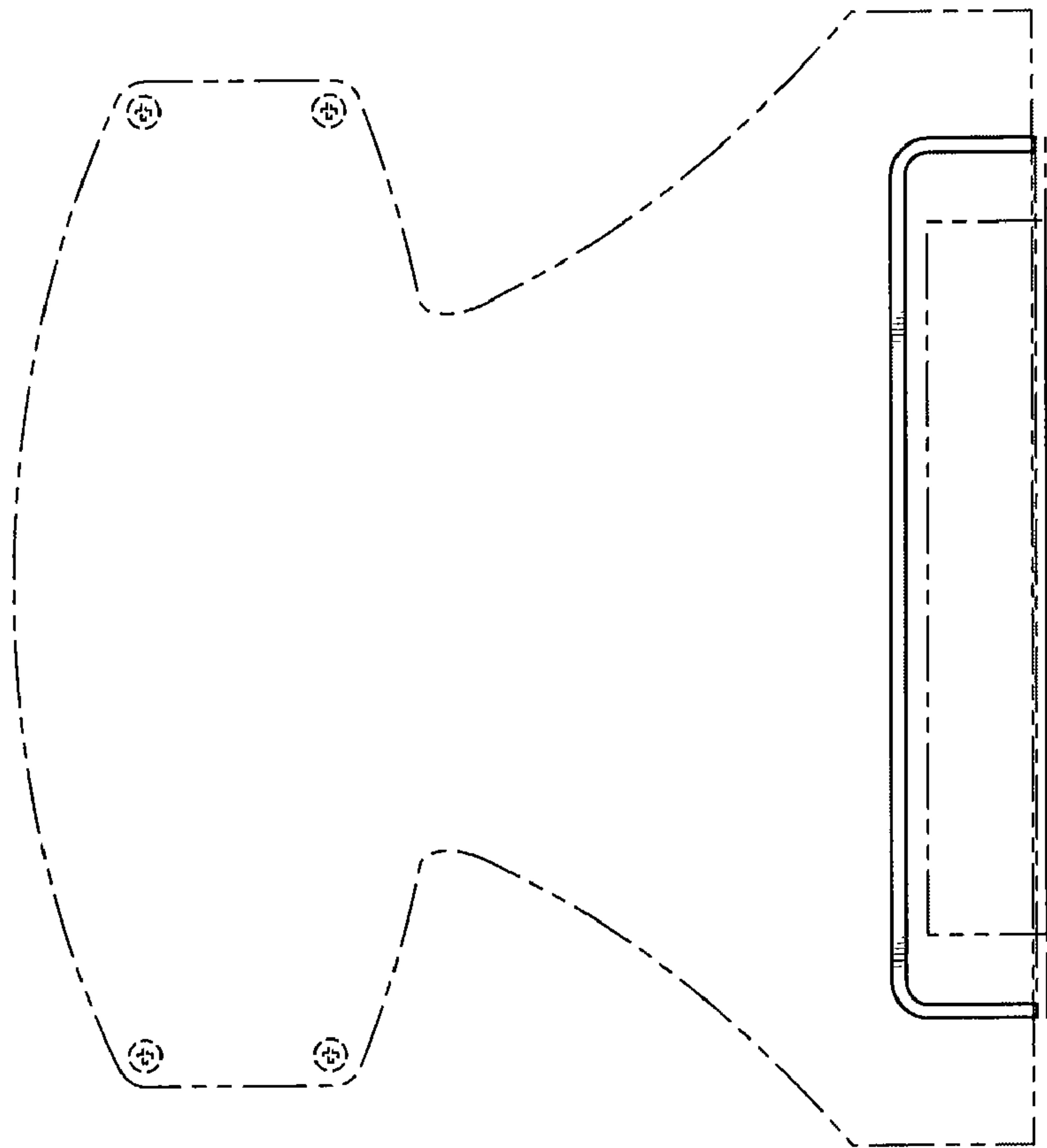


Fig. 5

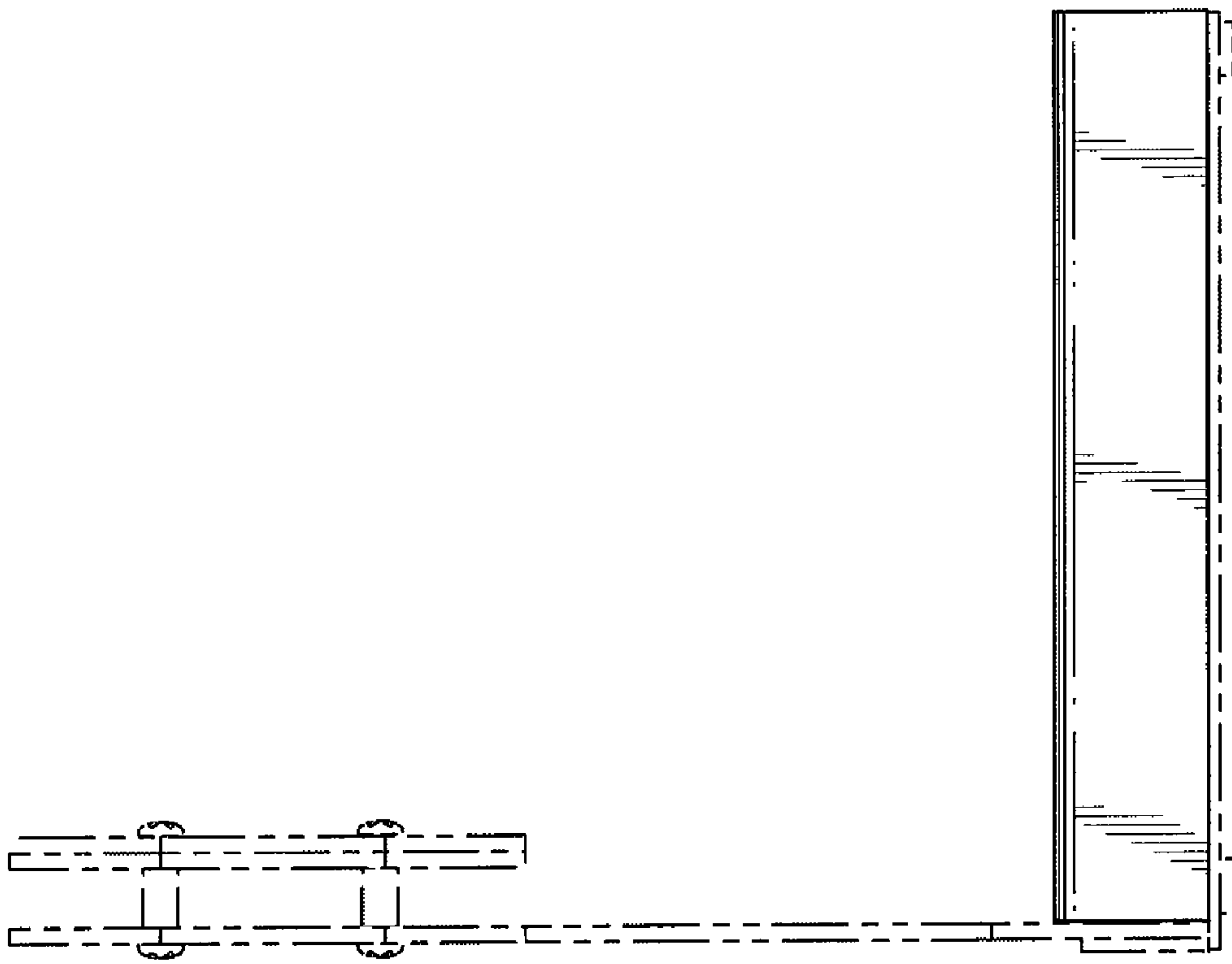


Fig. 6