



US00D603186S

(12) **United States Design Patent**
Abe

(10) **Patent No.:** **US D603,186 S**
(45) **Date of Patent:** **** Nov. 3, 2009**

(54) **FLOOR STAND**

(57) **CLAIM**

(76) Inventor: **Yutaka Abe**, 3-18, Ishikawacho,
1-chome, Ota-ku, Tokyo (JP)

The ornamental design for a floor stand, as shown and described.

(**) Term: **14 Years**

DESCRIPTION

(21) Appl. No.: **29/274,415**

(22) Filed: **Apr. 23, 2007**

(51) **LOC (9) Cl.** **06-04**

(52) **U.S. Cl.** **D6/449**

(58) **Field of Classification Search** D6/449,
D6/406.6, 406.4, 397, 499, 310, 451, 471,
D6/511, 474; D15/140; D14/447; 211/42,
211/85.26, 133.1, 133.2, 134

See application file for complete search history.

FIG. 1 is a front, right perspective view of a floor stand, showing my new design;

FIG. 2 is a top plan view thereof;

FIG. 3 is a bottom plan view thereof;

FIG. 4 is a front elevational view thereof;

FIG. 5 is a rear elevational view thereof;

FIG. 6 is a right side view thereof;

FIG. 7 is a left side view thereof;

FIG. 8 shows multiple floor stands of the present invention in use, the top, bottom, front, rear, right and left side views of each floor stand being the same as the previous figures;

FIG. 9 shows multiple floor stands of the present invention in an alternative use, the top, bottom, front, rear, right and left side views of each floor stand being the same as the previous figures;

FIG. 10 shows multiple floor stands of the present invention in an alternative use, the top, bottom, front, rear, right and left side views of each floor stand being the same as the previous figures; and,

FIG. 11 shows multiple floor stands of the present invention in an alternative use, the top, bottom, front, rear, right and left side views of each floor stand being the same as the previous figures.

The broken lines shown in the drawings are for illustrative purposes only and form no part of the claimed design.

(56) **References Cited**

U.S. PATENT DOCUMENTS

D217,197 S *	4/1970	Phillips	D6/449
D237,438 S *	11/1975	Cripe	D6/449
D323,319 S *	1/1992	Hillis	D14/308
D341,827 S *	11/1993	Lai et al.	D14/308
D379,973 S *	6/1997	Yoshimoto	D14/308
D465,107 S *	11/2002	Ngan	D6/449
D491,097 S *	6/2004	Johnson	D11/121
D564,256 S *	3/2008	Simonsen	D6/449
D579,234 S *	10/2008	Decarlo et al.	D6/449

FOREIGN PATENT DOCUMENTS

JP 40000628 5/2000

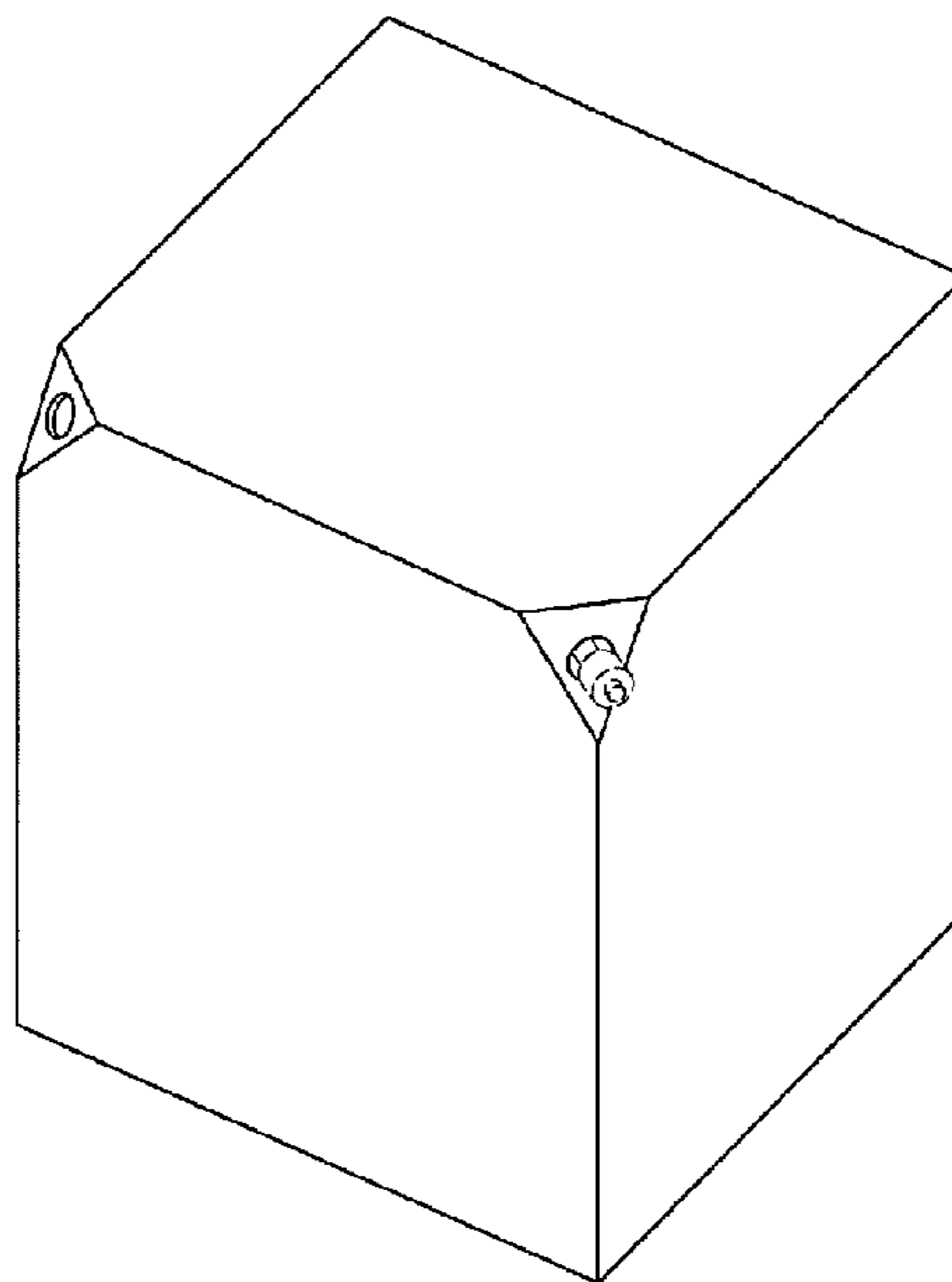
* cited by examiner

Primary Examiner—Caron Veynar

Assistant Examiner—Abraham Bahta

(74) *Attorney, Agent, or Firm*—Birch, Stewart, Kolasch & Birch, LLP

1 Claim, 6 Drawing Sheets



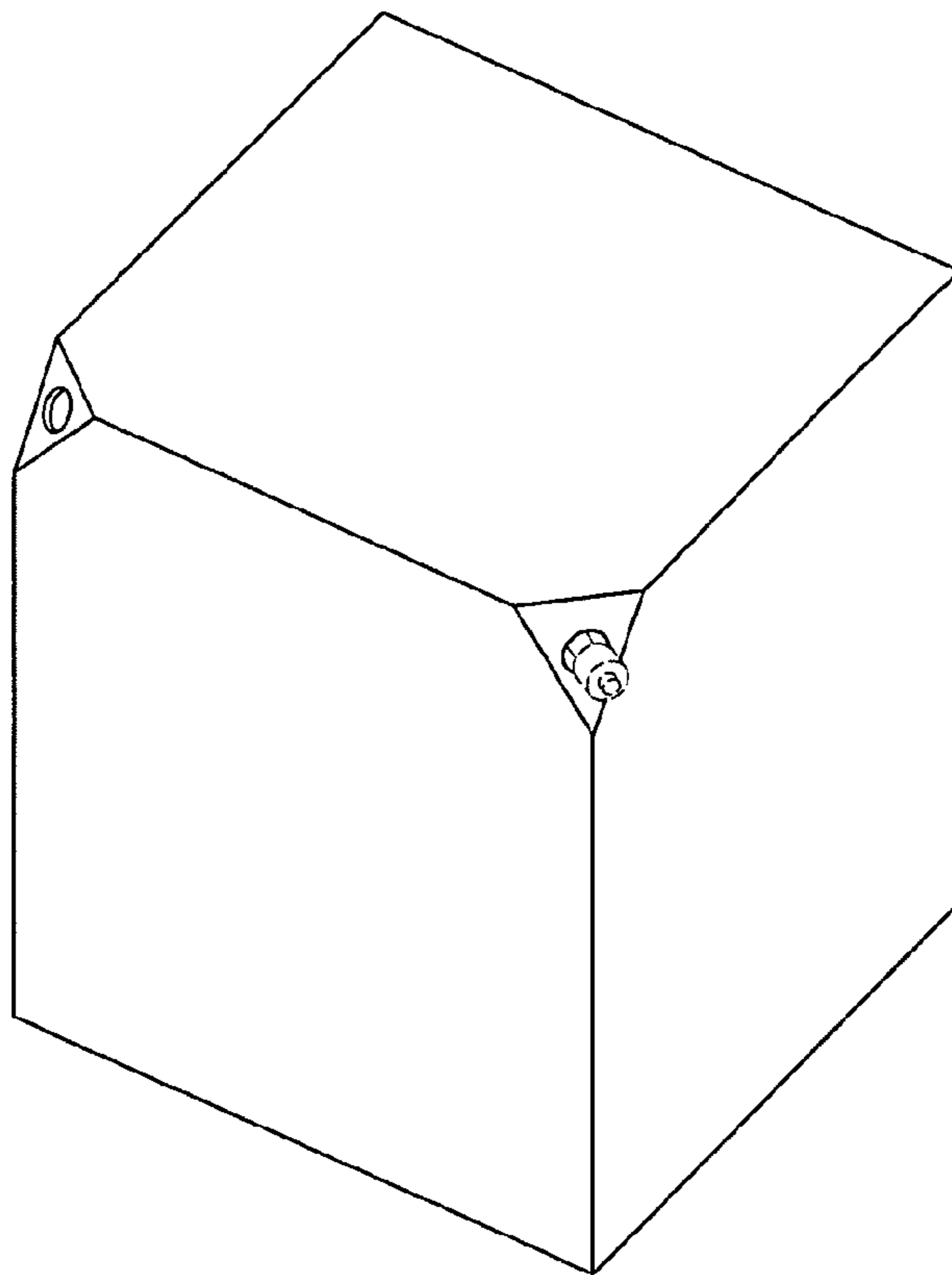


FIG. 1

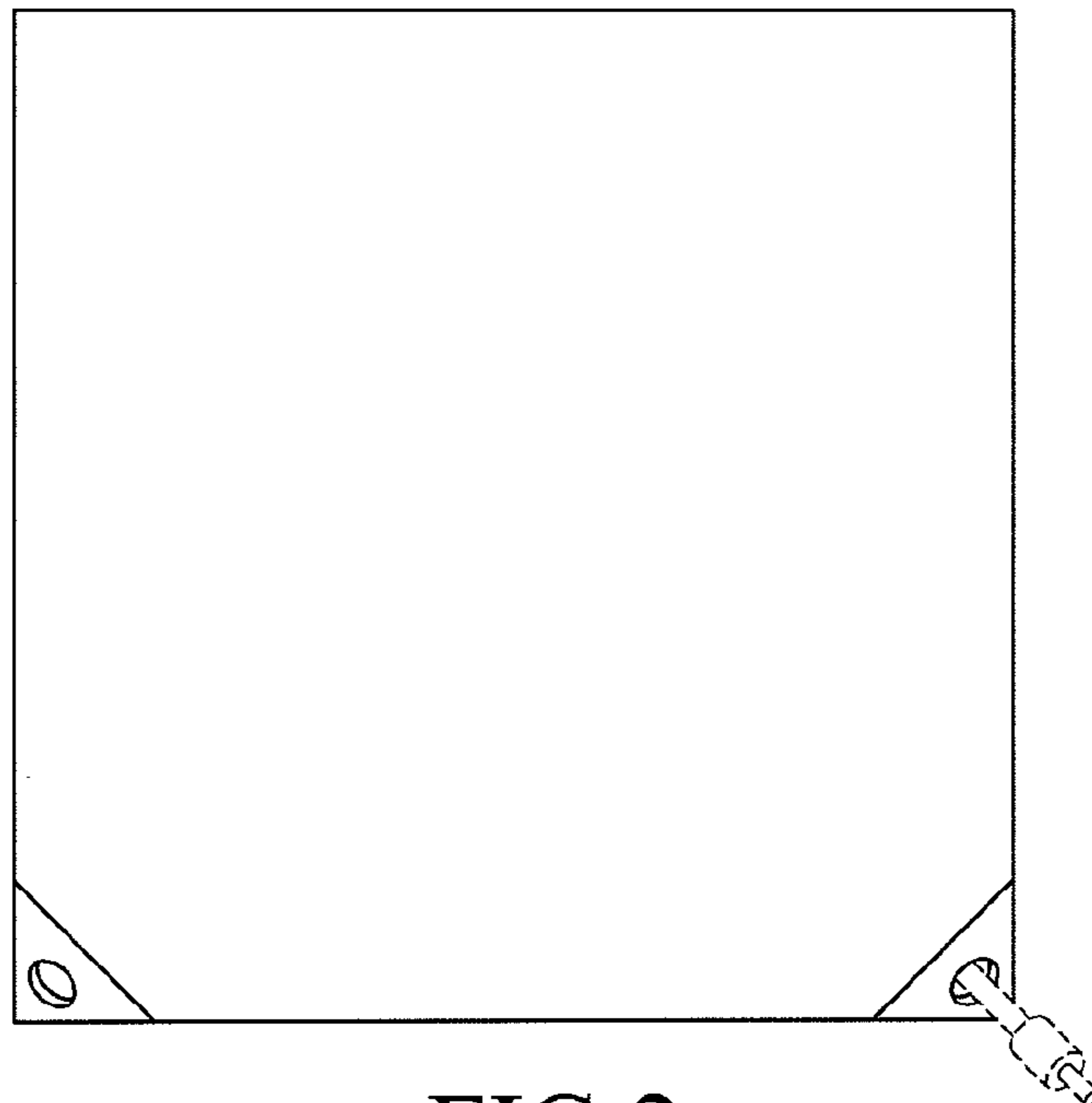


FIG. 2

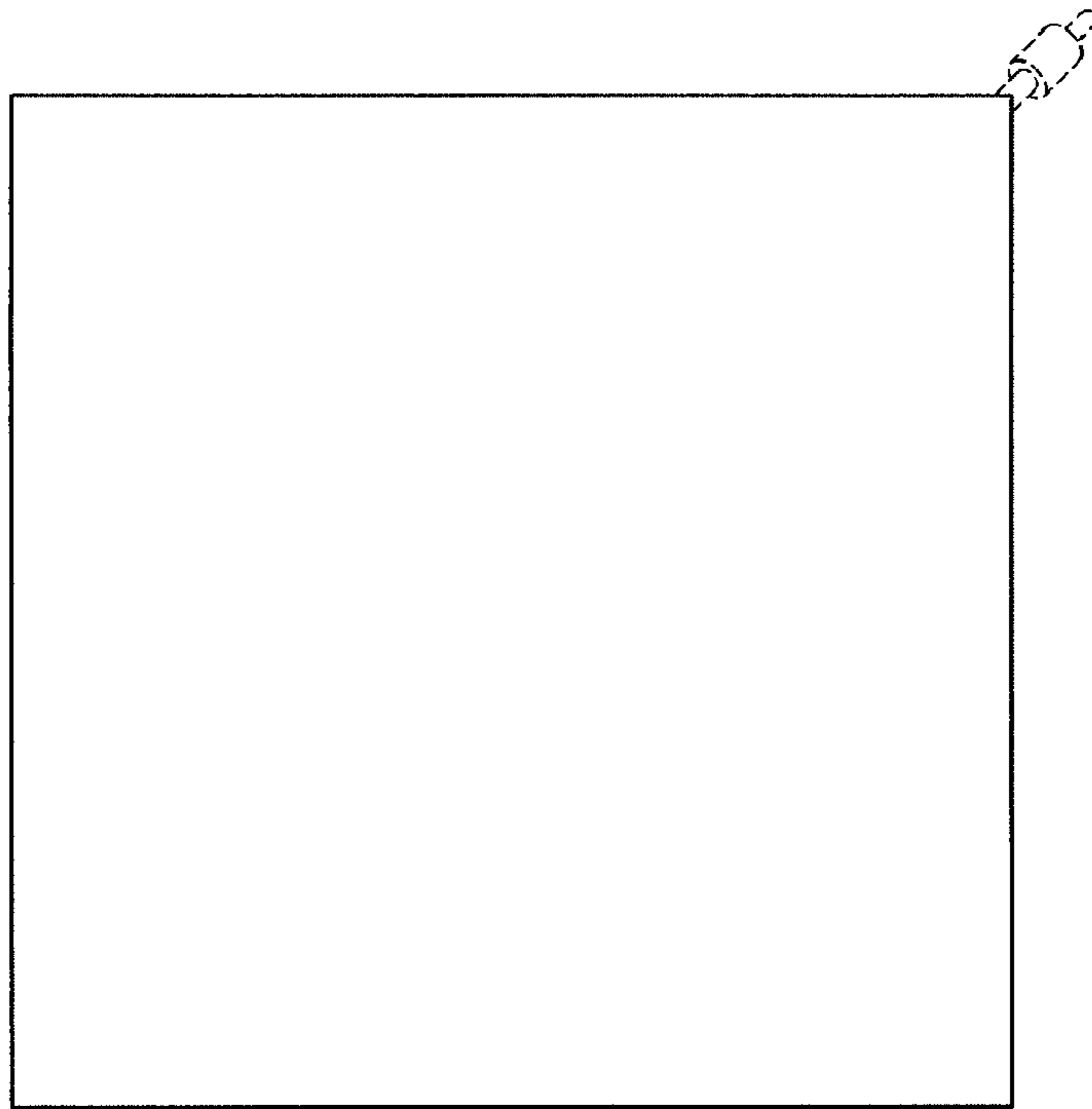


FIG.3

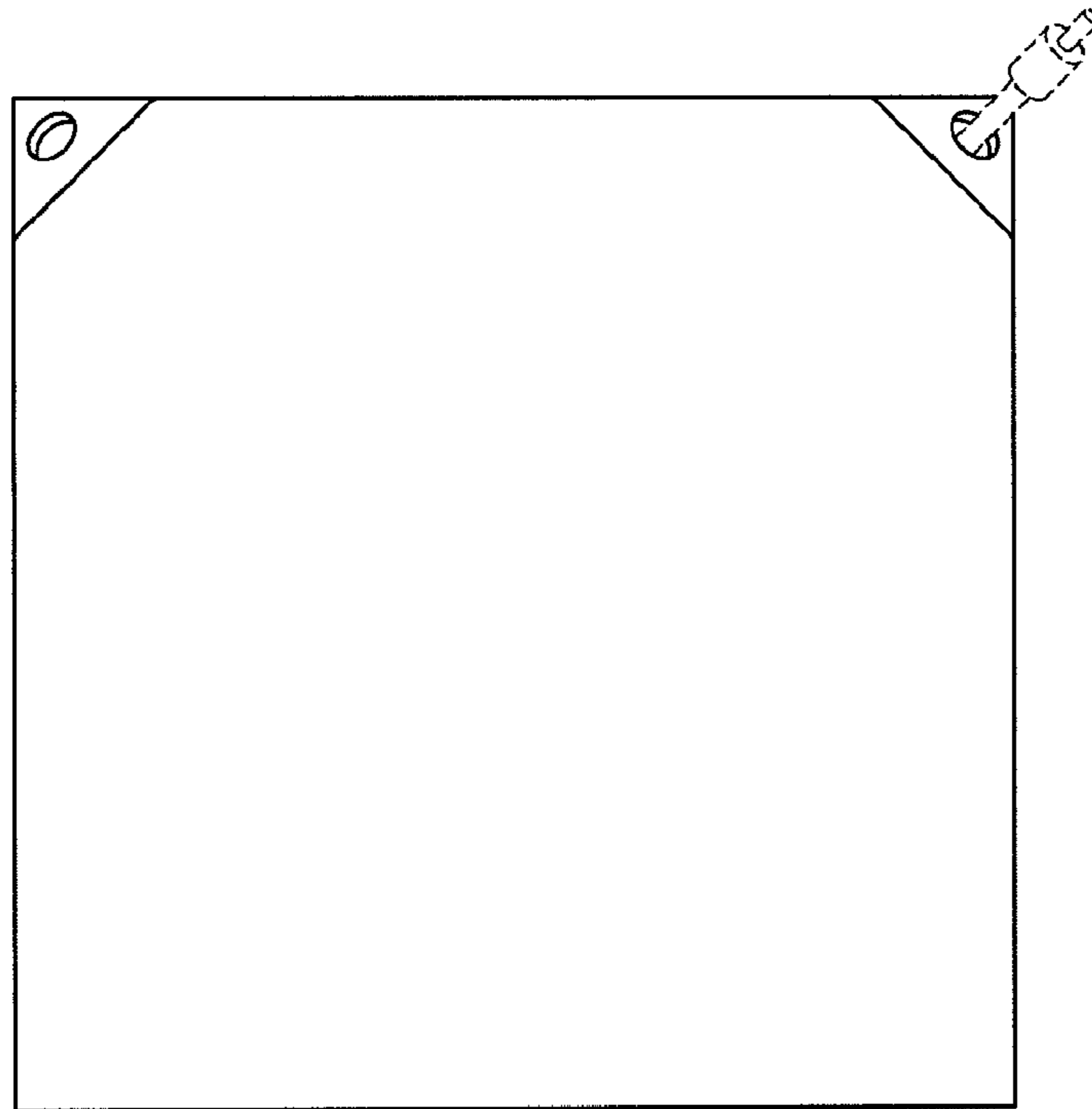


FIG.4

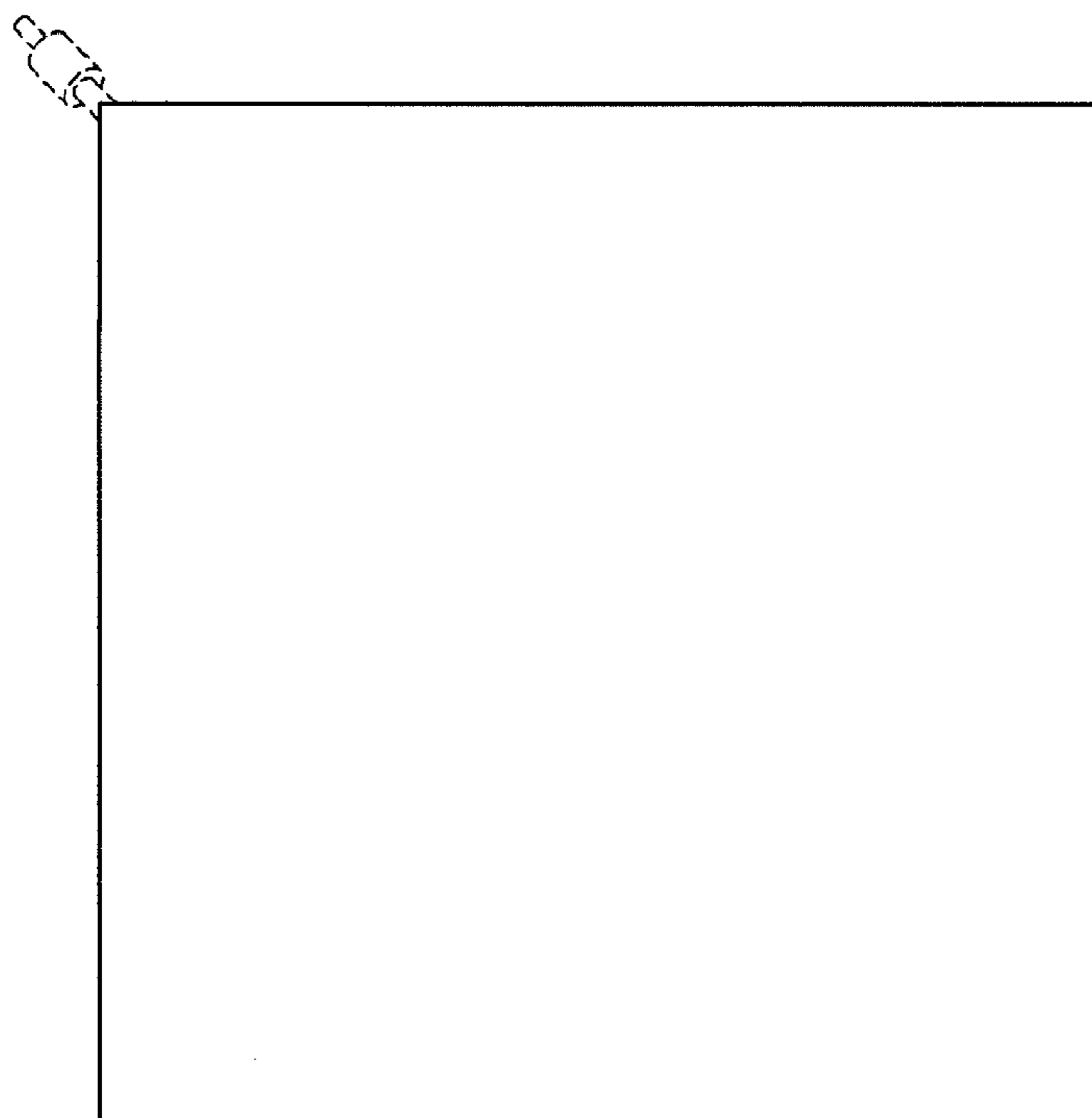


FIG. 5

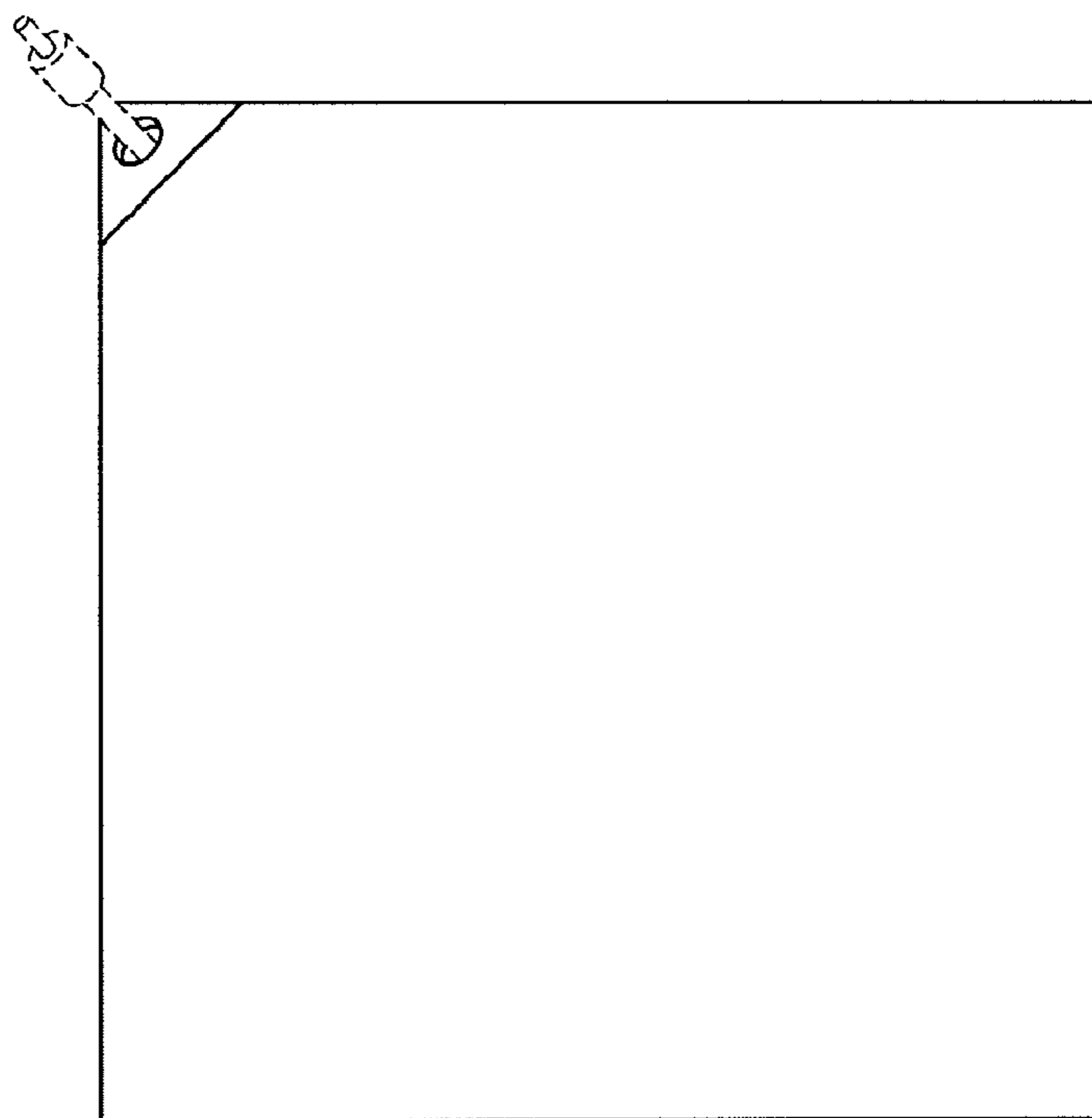


FIG. 6

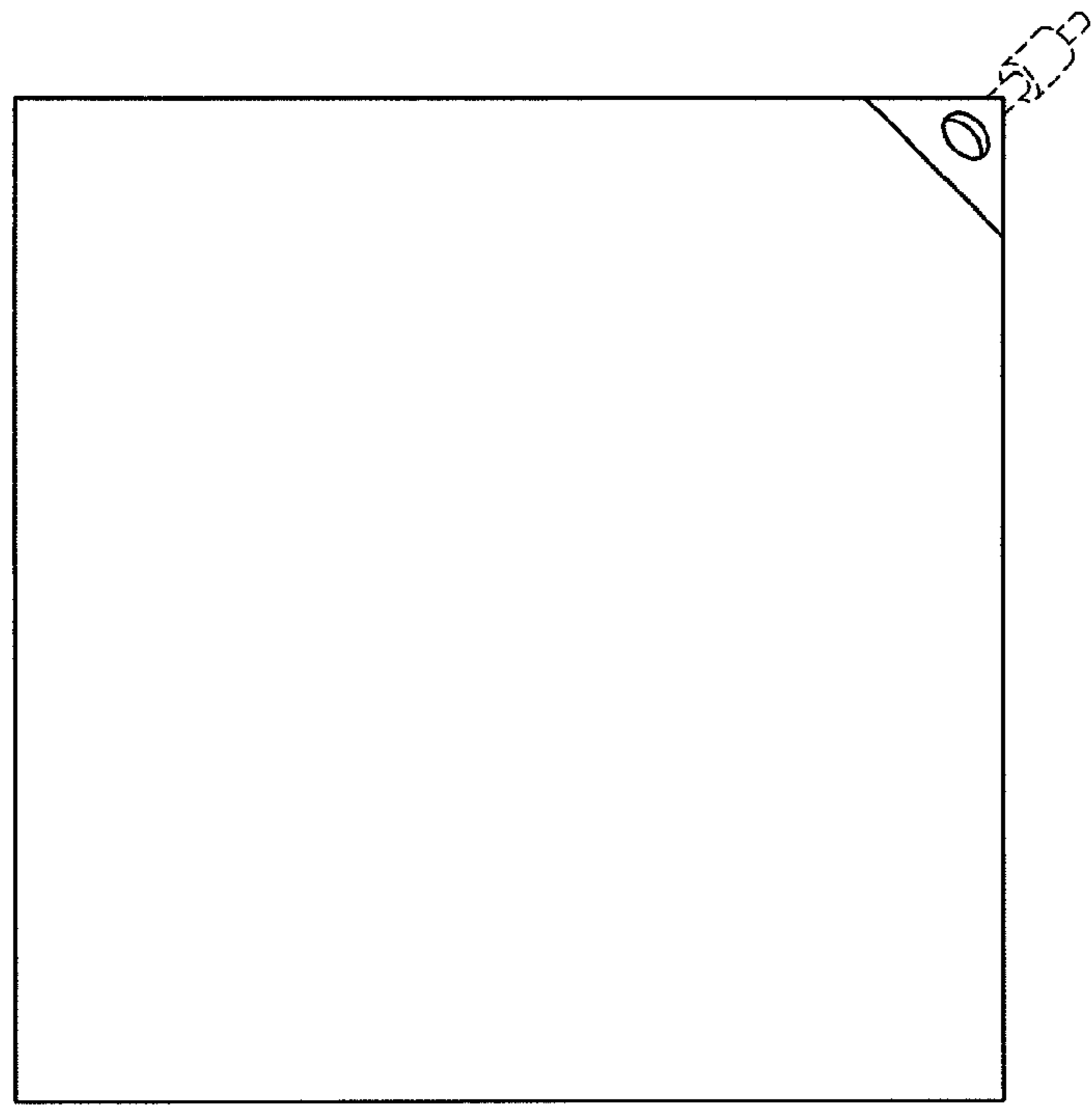


FIG. 7

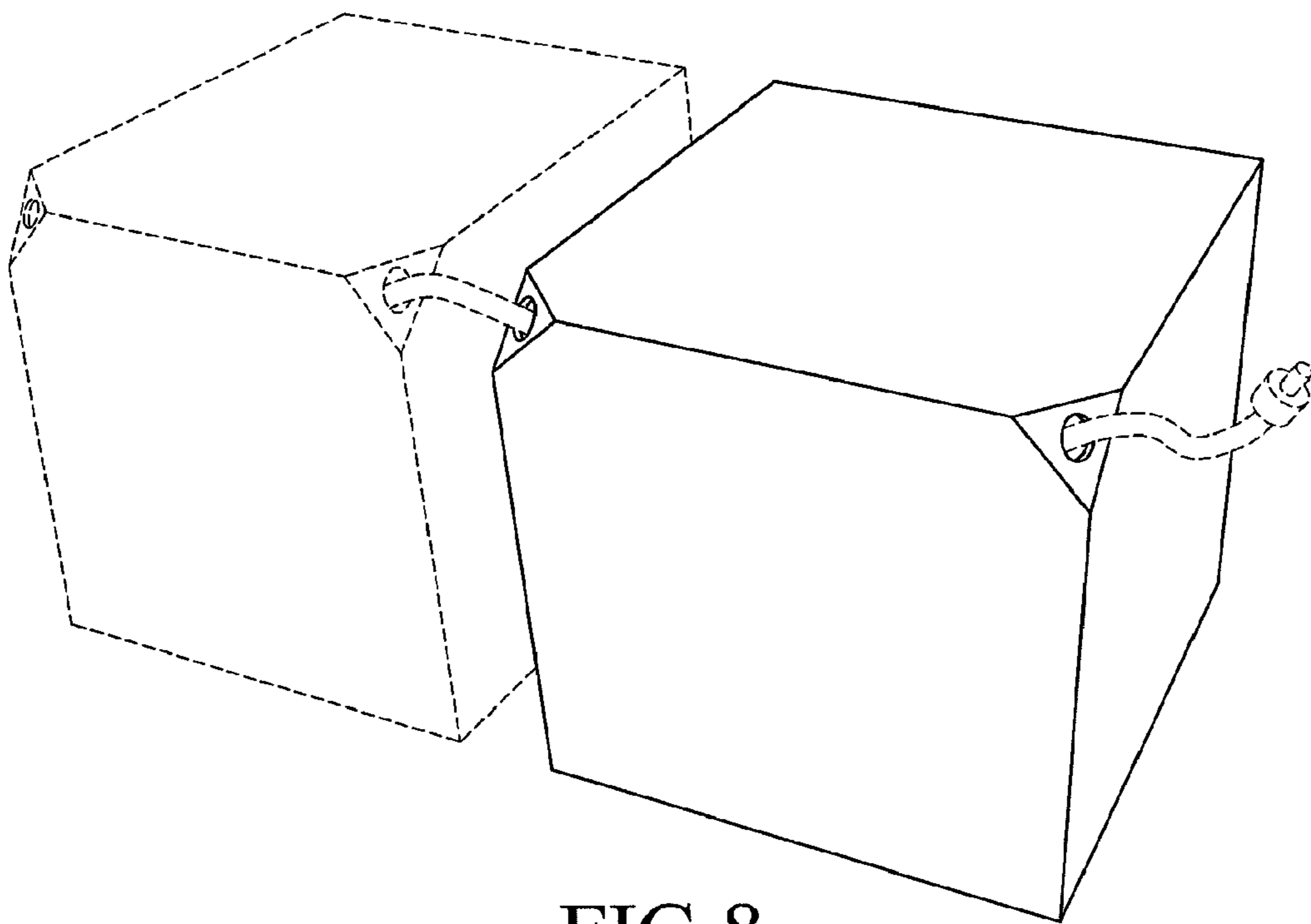


FIG. 8

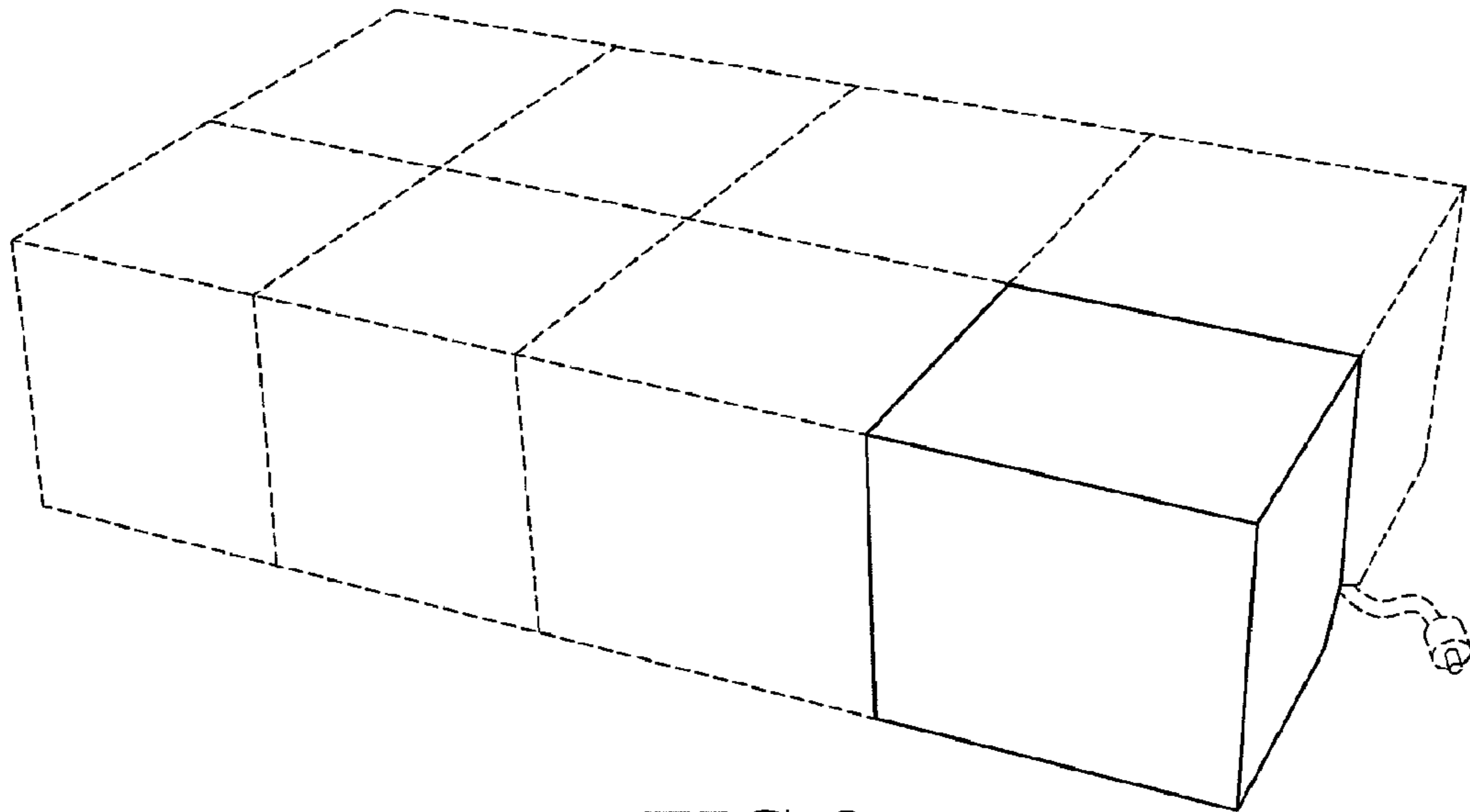


FIG. 9

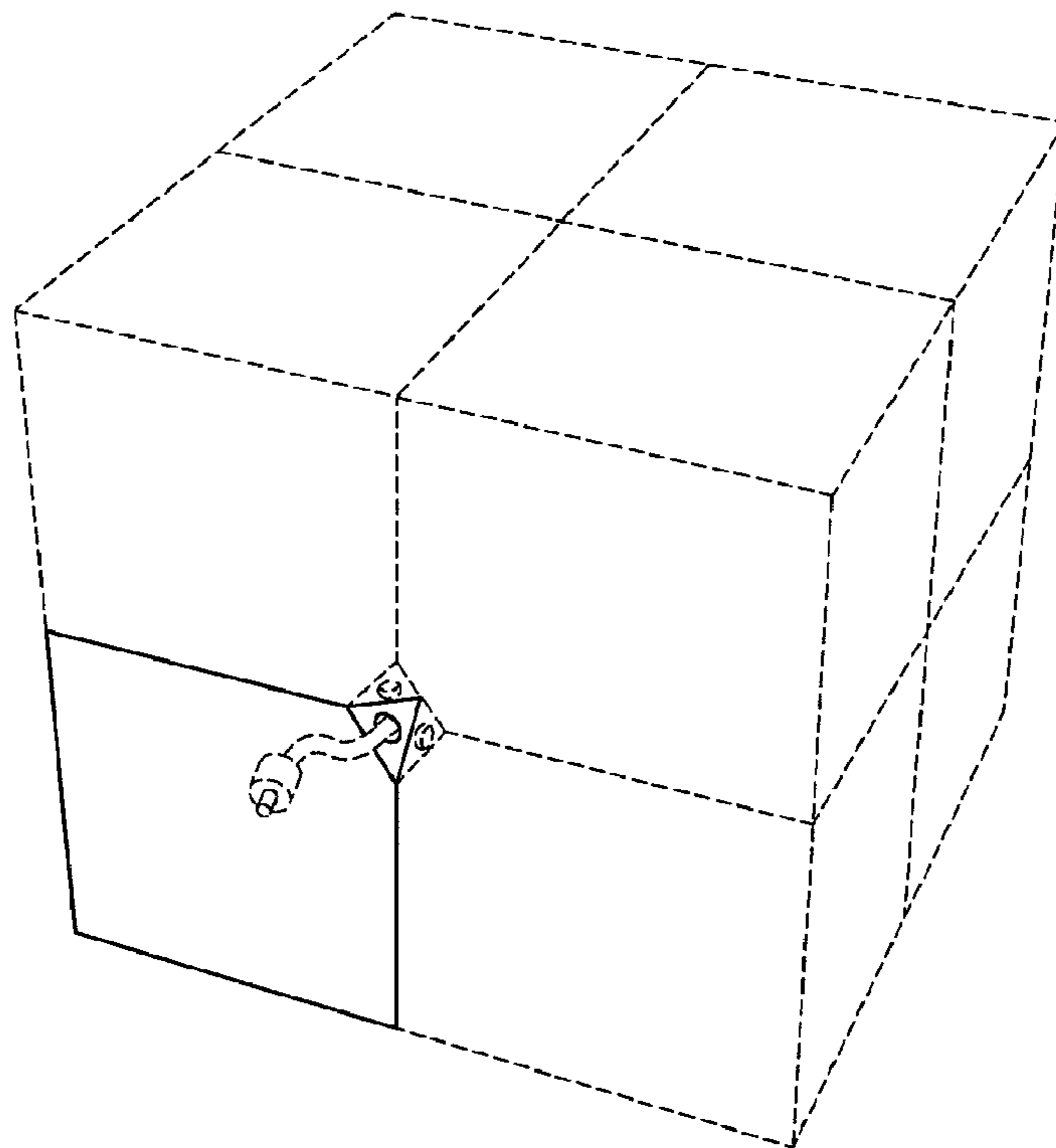


FIG. 10

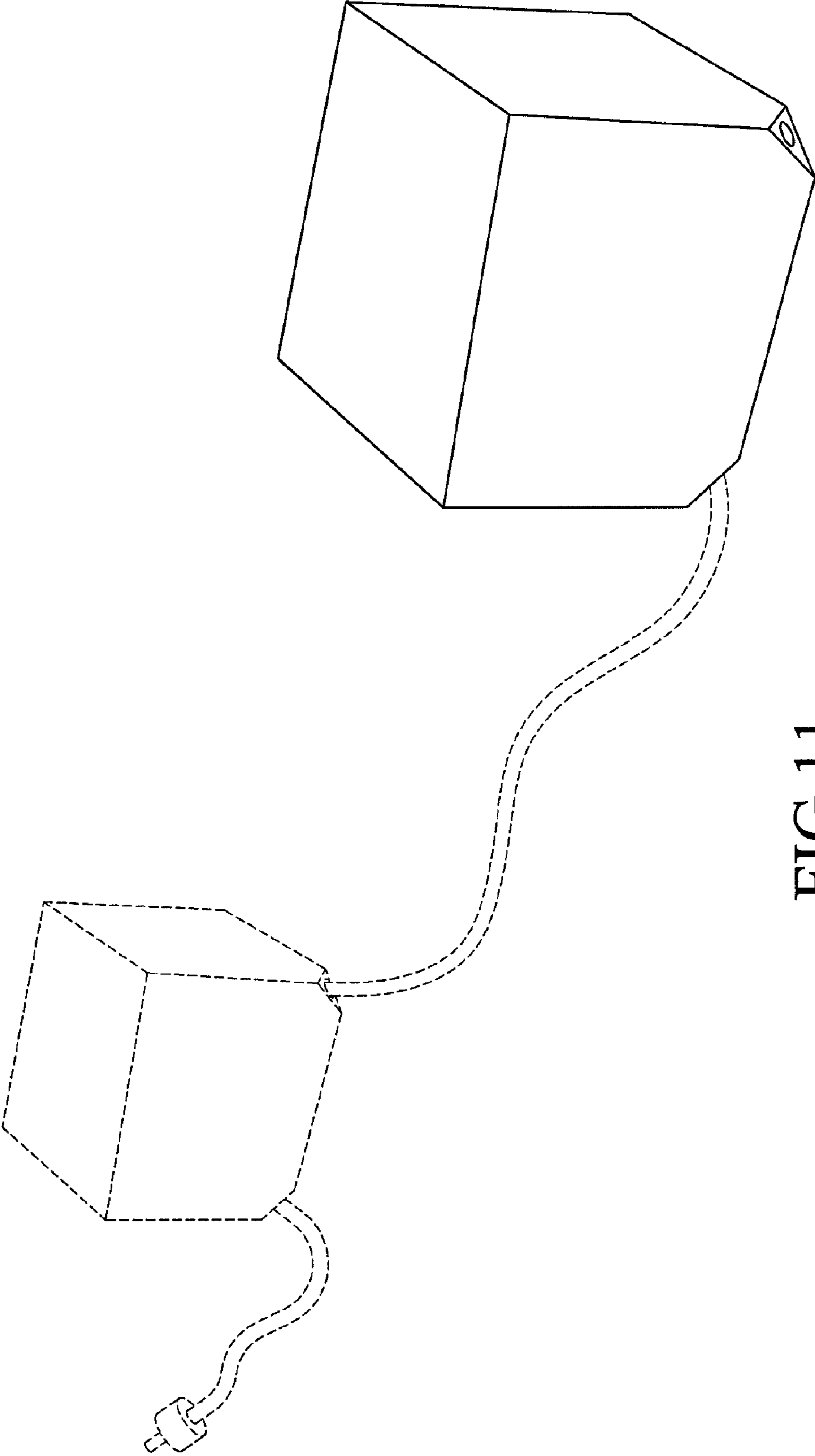


FIG.11