



US00D603185S

(12) **United States Design Patent**  
**Bockheim et al.**

(10) **Patent No.:** **US D603,185 S**  
(45) **Date of Patent:** **\*\* Nov. 3, 2009**

(54) **WORKSTATION UNIT**

**DESCRIPTION**

(75) Inventors: **Robert J. Bockheim**, Grand Rapids, MI (US); **Joel T. Ruitter**, Grand Rapids, MI (US)

(73) Assignee: **Nucraft Furniture Company**, Comstock Park, MI (US)

(\*\*) Term: **14 Years**

(21) Appl. No.: **29/319,313**

(22) Filed: **Jun. 6, 2008**

(51) **LOC (9) Cl.** ..... **06-04**

(52) **U.S. Cl.** ..... **D6/436**

(58) **Field of Classification Search** ..... D6/384-396,  
D6/422-436, 449, 477-479, 484-485, 505-511;  
108/50.01-50.02, 60; 312/108, 114, 194-196,  
312/204, 216, 234.1, 236, 242, 249.4-249.5,  
312/278-279, 330.1, 348.3

See application file for complete search history.

(56) **References Cited**

**U.S. PATENT DOCUMENTS**

1,144,398 A	6/1915	Thommen
1,688,456 A	10/1928	Dolph
2,354,106 A	7/1944	Cooper
2,654,650 A	10/1953	Stanton
3,066,993 A	12/1962	Mark

(Continued)

*Primary Examiner*—Caron Veynar

*Assistant Examiner*—Ricky Pham

(74) *Attorney, Agent, or Firm*—Van Dyke, Gardner, Linn & Burkhart, LLP

(57) **CLAIM**

The ornamental design for the workstation unit, as shown and described.

FIG. 1 is a perspective view of a workstation unit of an office furniture arrangement in accordance with the present invention;

FIG. 2 is a perspective view of a lower profile workstation unit of the office furniture arrangement of FIG. 1, shown in a closed state;

FIG. 3 is a front elevation of the workstation unit of FIG. 2;

FIG. 4 is a rear elevation of the workstation unit of FIG. 2;

FIG. 5 is a top plan view of the workstation unit of FIG. 2;

FIG. 6 is a bottom plan view of the workstation unit of FIG. 2;

FIG. 7 is a side elevation of the workstation unit of FIG. 2;

FIG. 8 is an opposite side elevation of the workstation unit of FIG. 2;

FIG. 9 is a perspective view of the lower profile workstation unit, shown in an opened state;

FIG. 10 is a perspective view of a higher profile workstation unit of the office furniture arrangement of FIG. 1 showing a second embodiment, shown in a closed state;

FIG. 11 is a front elevation of the workstation unit of FIG. 10;

FIG. 12 is a rear elevation of the workstation unit of FIG. 10;

FIG. 13 is a top plan view of the workstation unit of FIG. 10;

FIG. 14 is a bottom plan view of the workstation unit of FIG. 10;

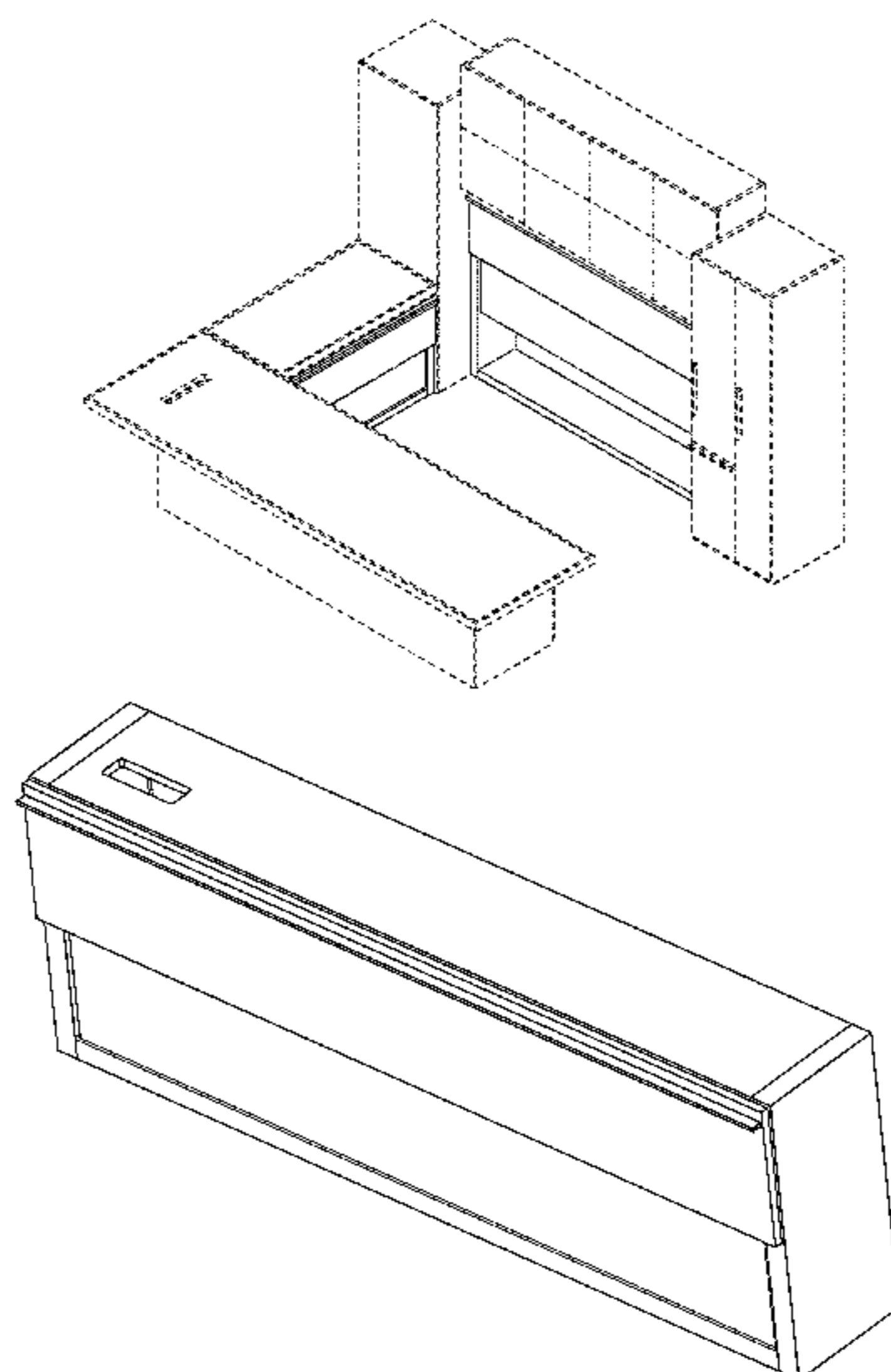
FIG. 15 is a side elevation of the workstation unit of FIG. 10;

FIG. 16 is an opposite side elevation of the workstation unit of FIG. 10; and,

FIG. 17 is a perspective view of the higher profile workstation unit, shown in an open state.

The broken lines in the drawings are for illustrative purposes only and form no part of the claimed design.

**1 Claim, 17 Drawing Sheets**



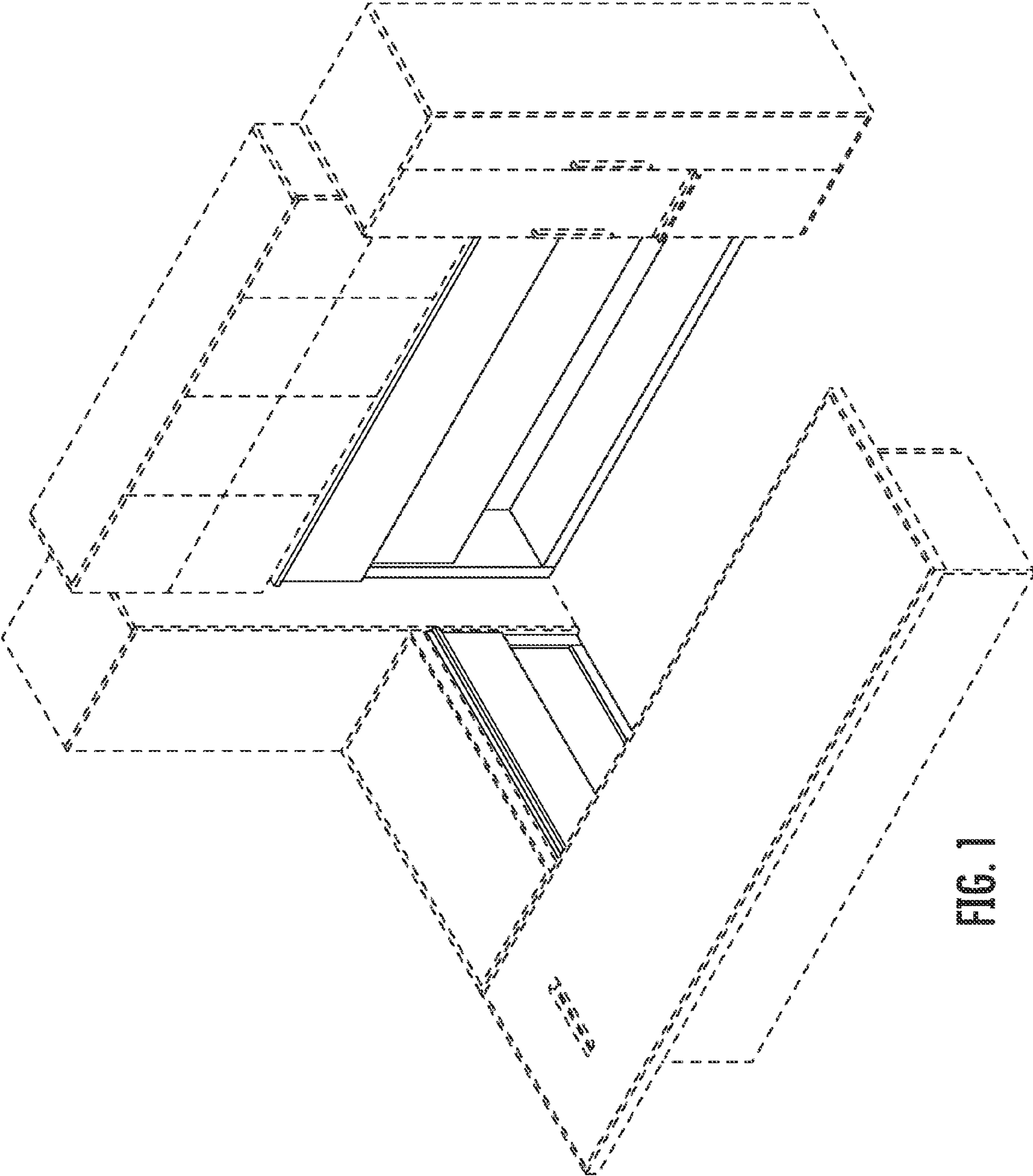
# US D603,185 S

Page 2

---

U.S. PATENT DOCUMENTS								
3,290,108	A	12/1966	Beckman et al.	D476,178	S	6/2003	Schacht et al.	
3,761,152	A	9/1973	Cory	D476,503	S	7/2003	Chesser et al.	
3,828,695	A	8/1974	Skarky	D476,514	S	7/2003	Chesser et al.	
4,180,298	A *	12/1979	Borgerson, Jr. ....	6,588,346	B1	7/2003	Bockheim et al.	312/242
4,217,832	A	8/1980	Pozzan	6,615,551	B2	9/2003	Chesser et al.	
4,735,467	A	4/1988	Wolters	6,725,784	B2	4/2004	Crinion	
4,922,835	A	5/1990	Van Vliet et al.	D492,150	S	6/2004	Chesser et al.	
5,071,204	A	12/1991	Price et al.	6,854,217	B2	2/2005	Bockheim et al.	
5,195,713	A	3/1993	Van Dore et al.	D542,296	S	5/2007	Bockheim et al.	
D384,846	S *	10/1997	Zaidman et al. ....	D576,421	S *	9/2008	Grabowski et al. ....	D6/426
5,718,179	A	2/1998	Johnson et al.	D576,422	S *	9/2008	Grabowski et al. ....	D6/426
D391,782	S *	3/1998	Neufeld ..... D6/436	D577,509	S *	9/2008	Grabowski et al. ....	D6/426
5,794,545	A	8/1998	McDaniel et al.	D579,229	S *	10/2008	De La Serve et al. ....	D6/396
D403,878	S *	1/1999	Zaidman ..... D6/384	D587,033	S *	2/2009	Martin et al. ....	D6/436
6,126,253	A	10/2000	Kelley et al.	D591,979	S *	5/2009	Singler et al. ....	D6/449
6,182,581	B1	2/2001	Boyce	2005/0189851	A1 *	9/2005	Martin et al. ....	312/196
6,283,043	B1	9/2001	Stern et al.	2005/0268823	A1	12/2005	Bakker et al.	
6,327,983	B1	12/2001	Cronk et al.	2006/0042520	A1	3/2006	Stevens et al.	
6,497,184	B1	12/2002	Whitesitt	2006/0179458	A1	8/2006	Schmieder et al.	

\* cited by examiner



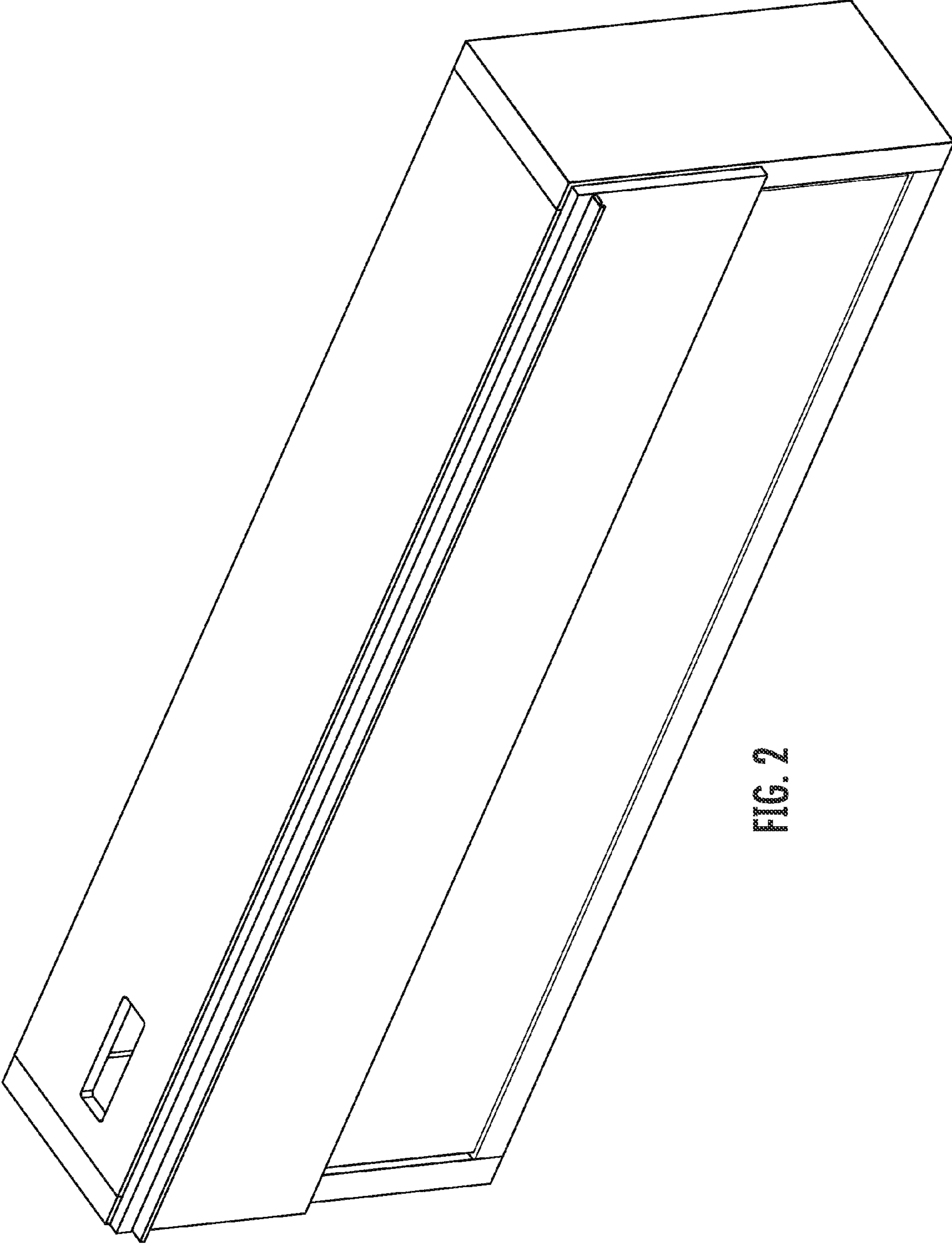


FIG. 2

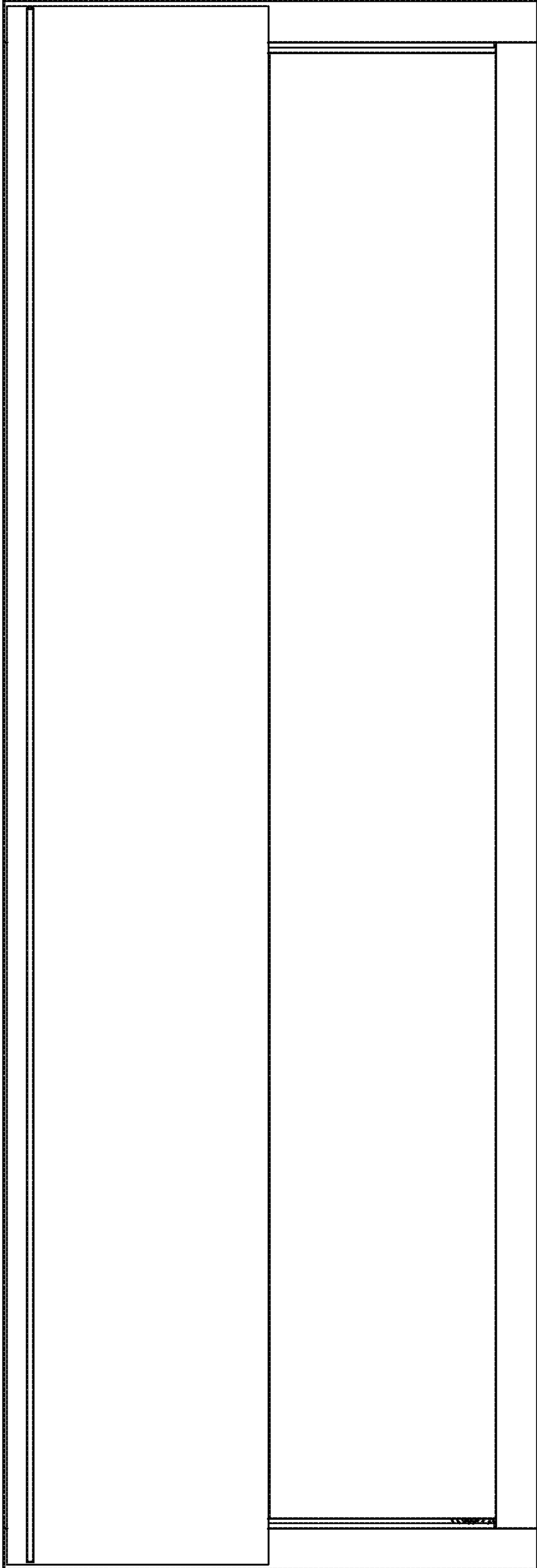


FIG. 3

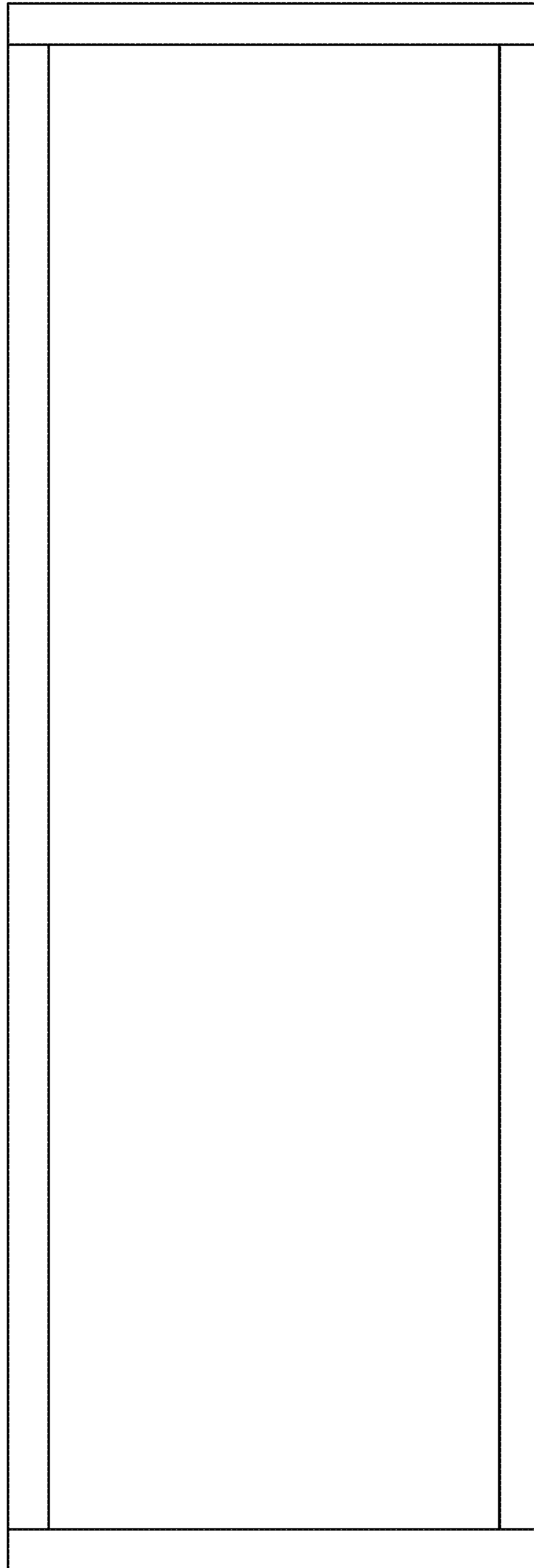


FIG. 4

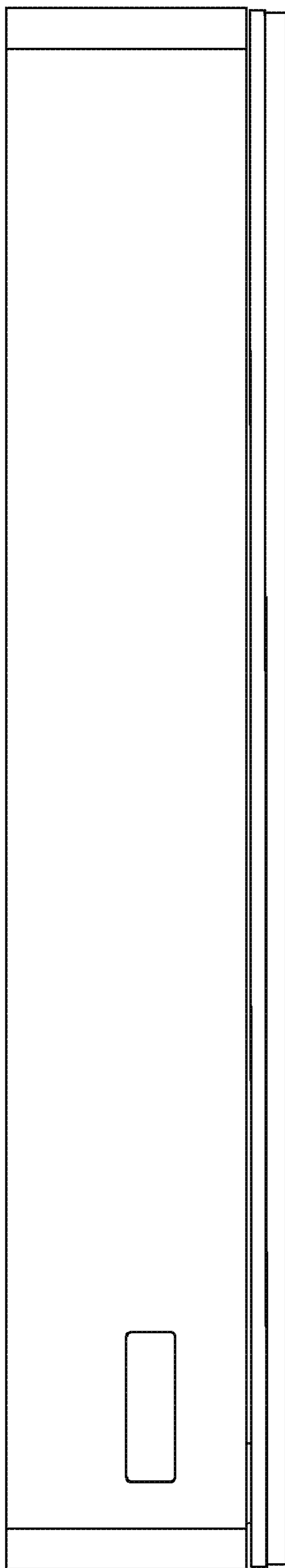


FIG. 5

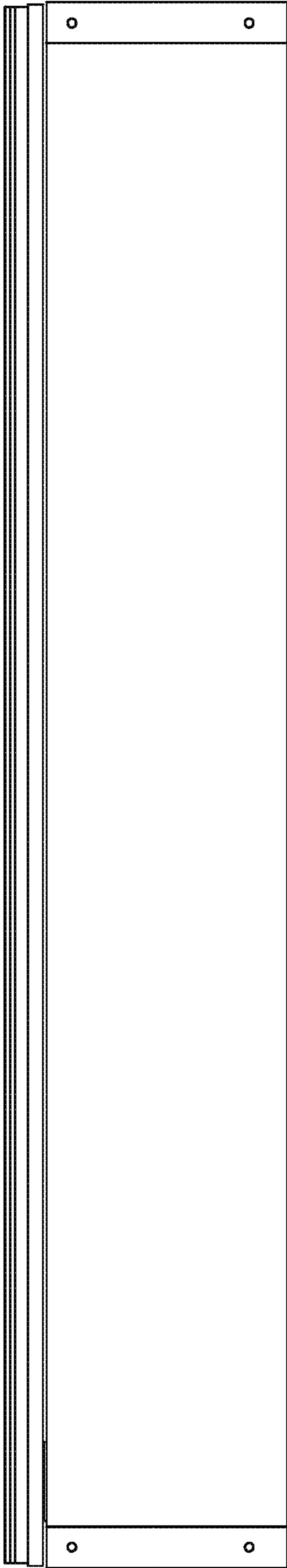


FIG. 6



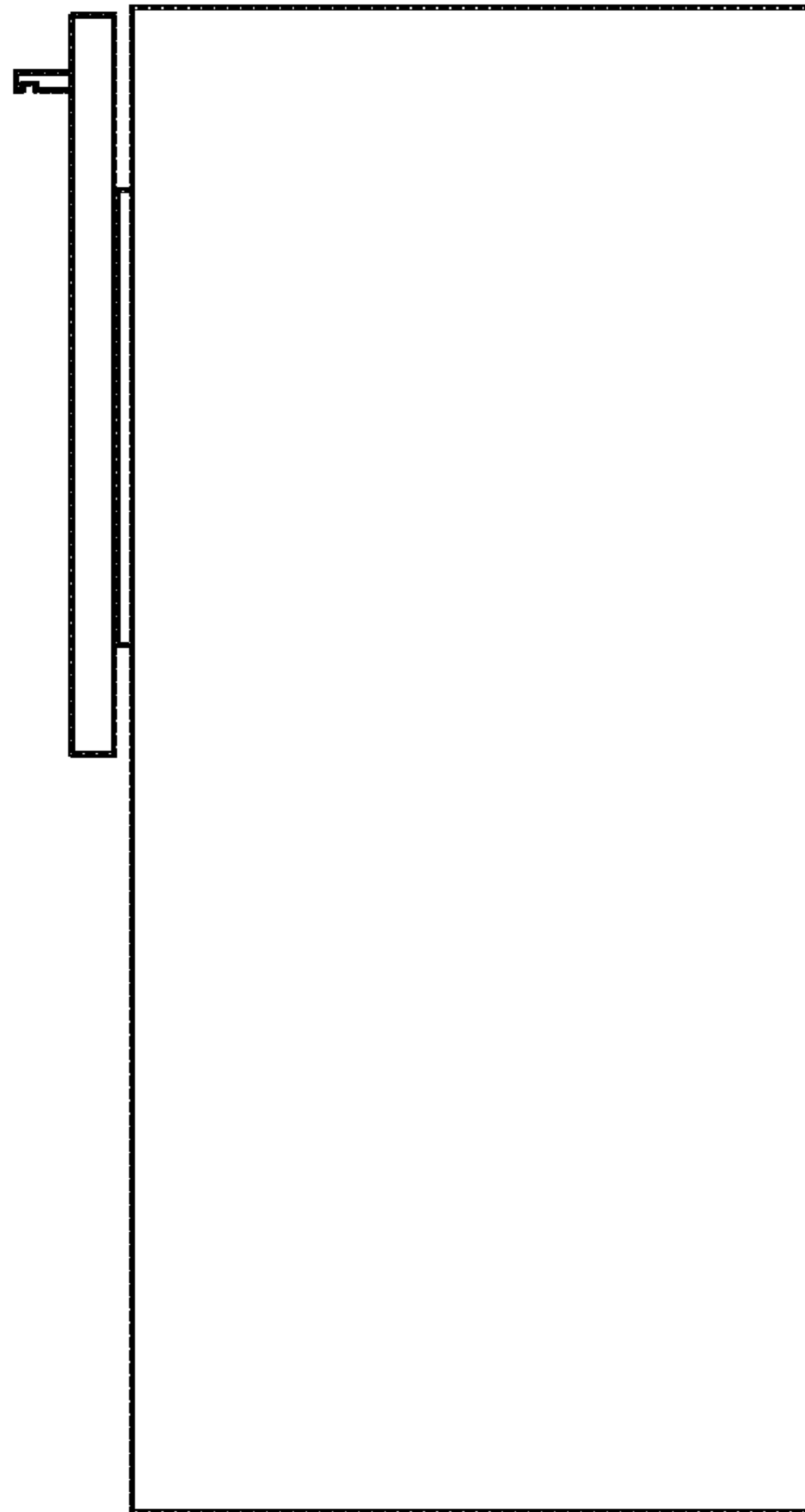


FIG. 7

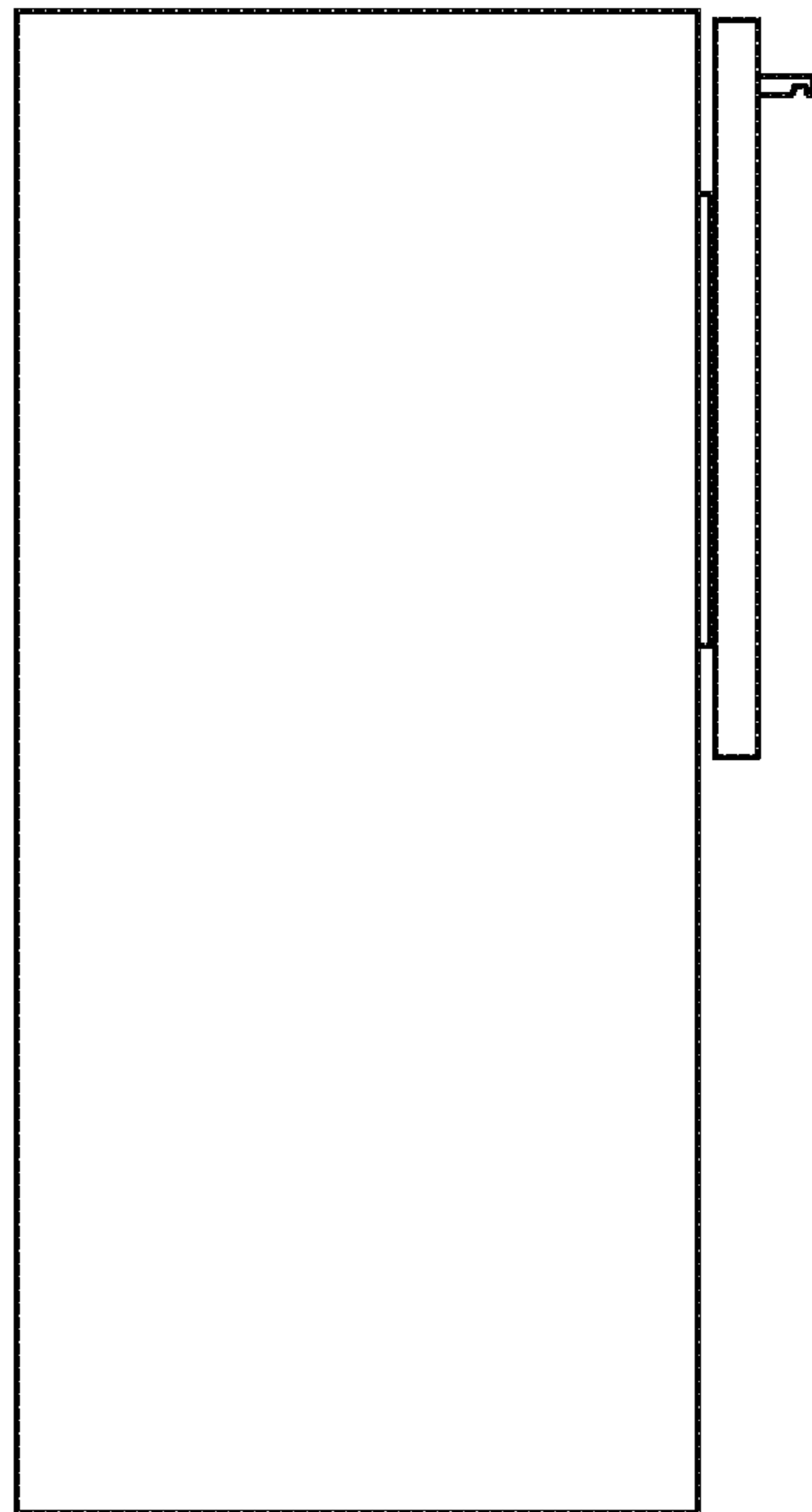


FIG. 8

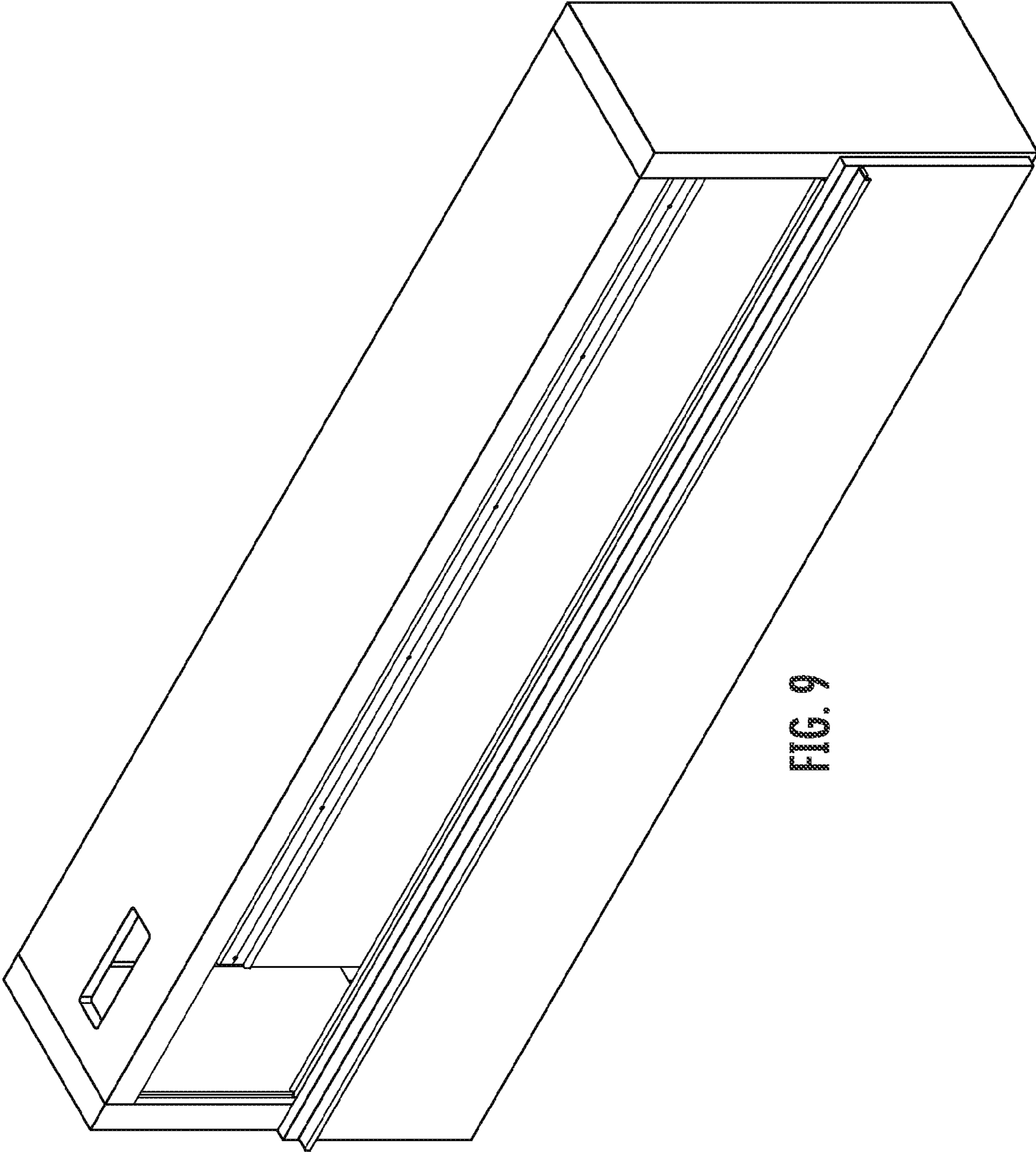


FIG. 9

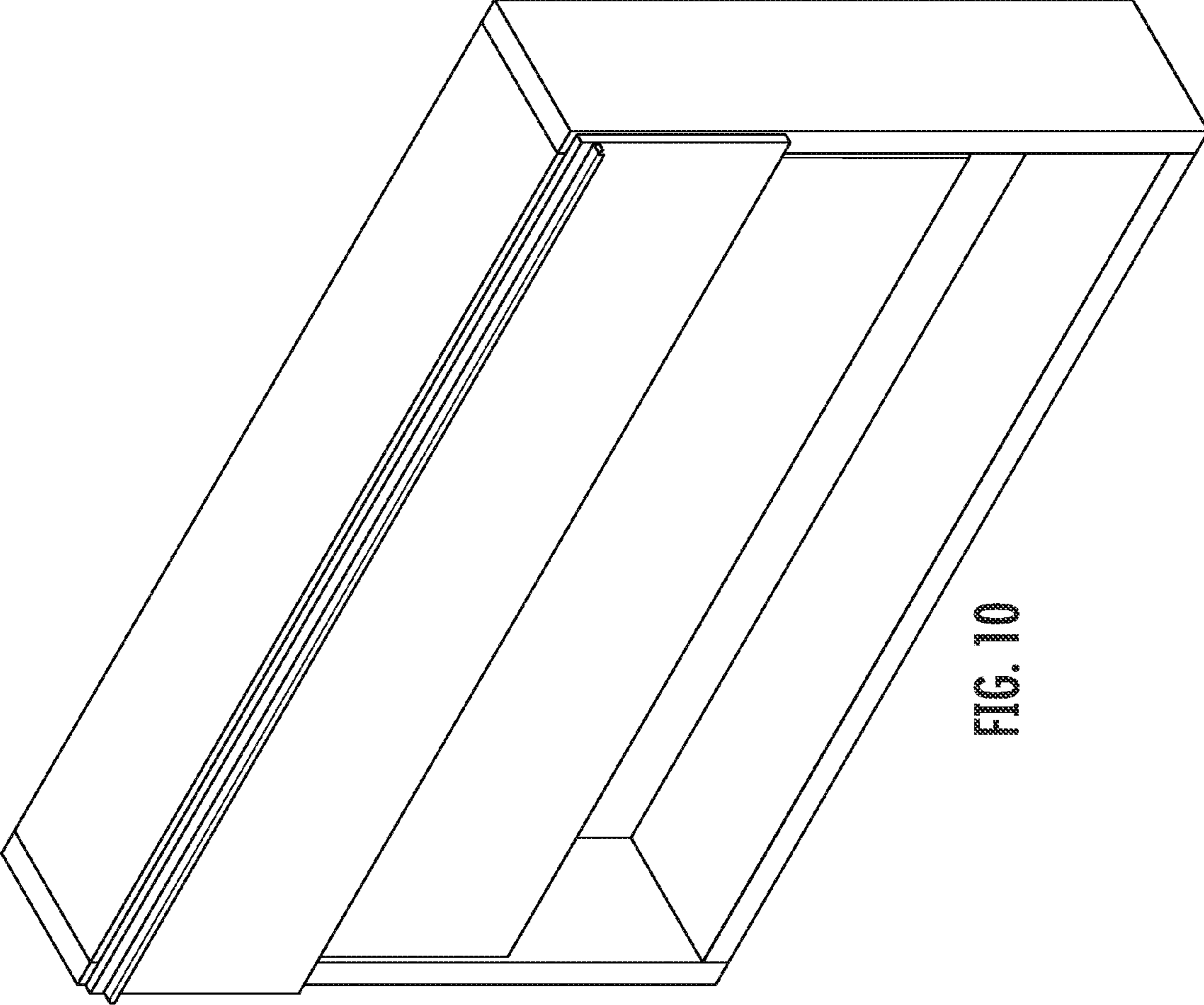


FIG. 10

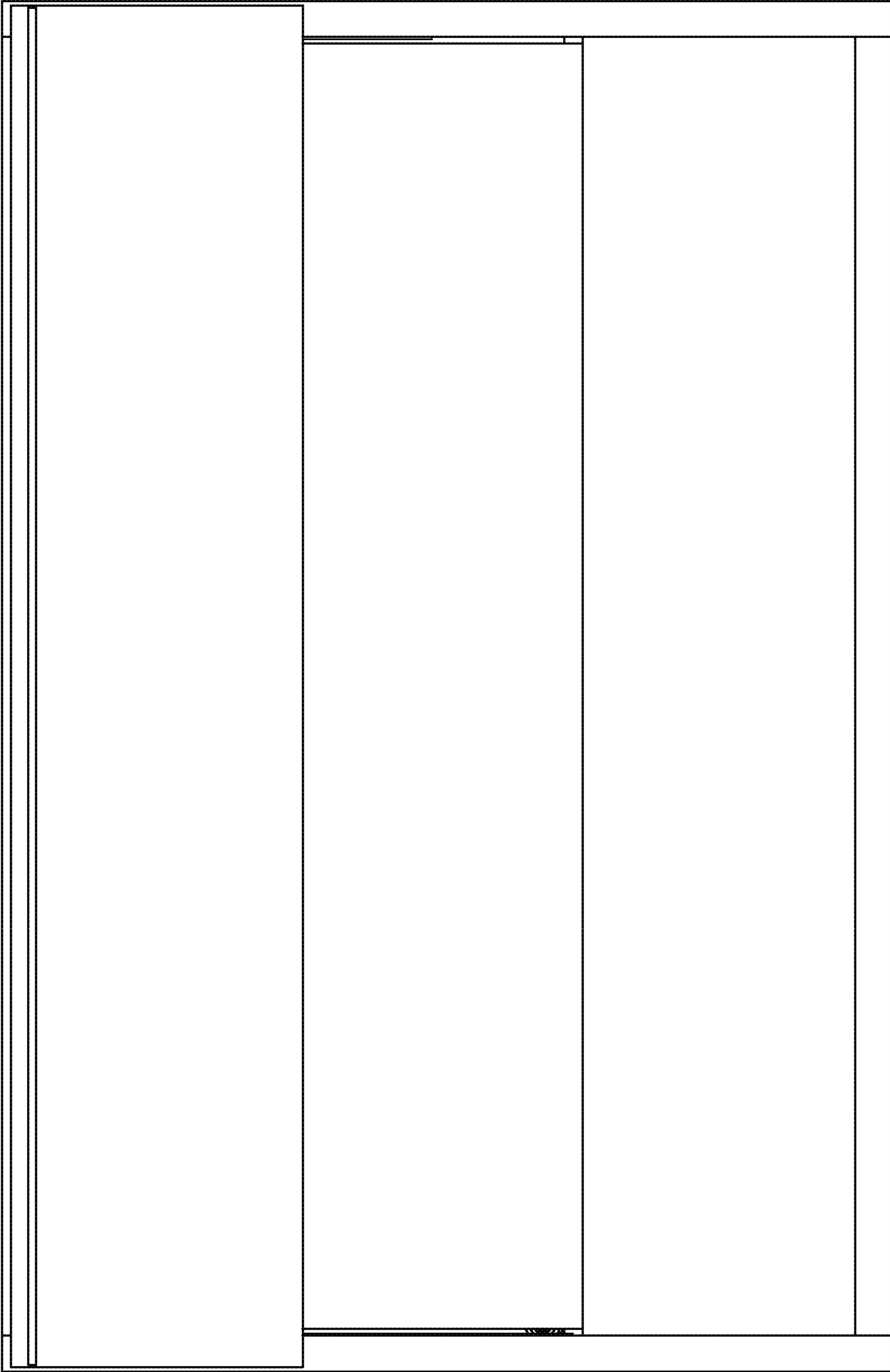


FIG. 11

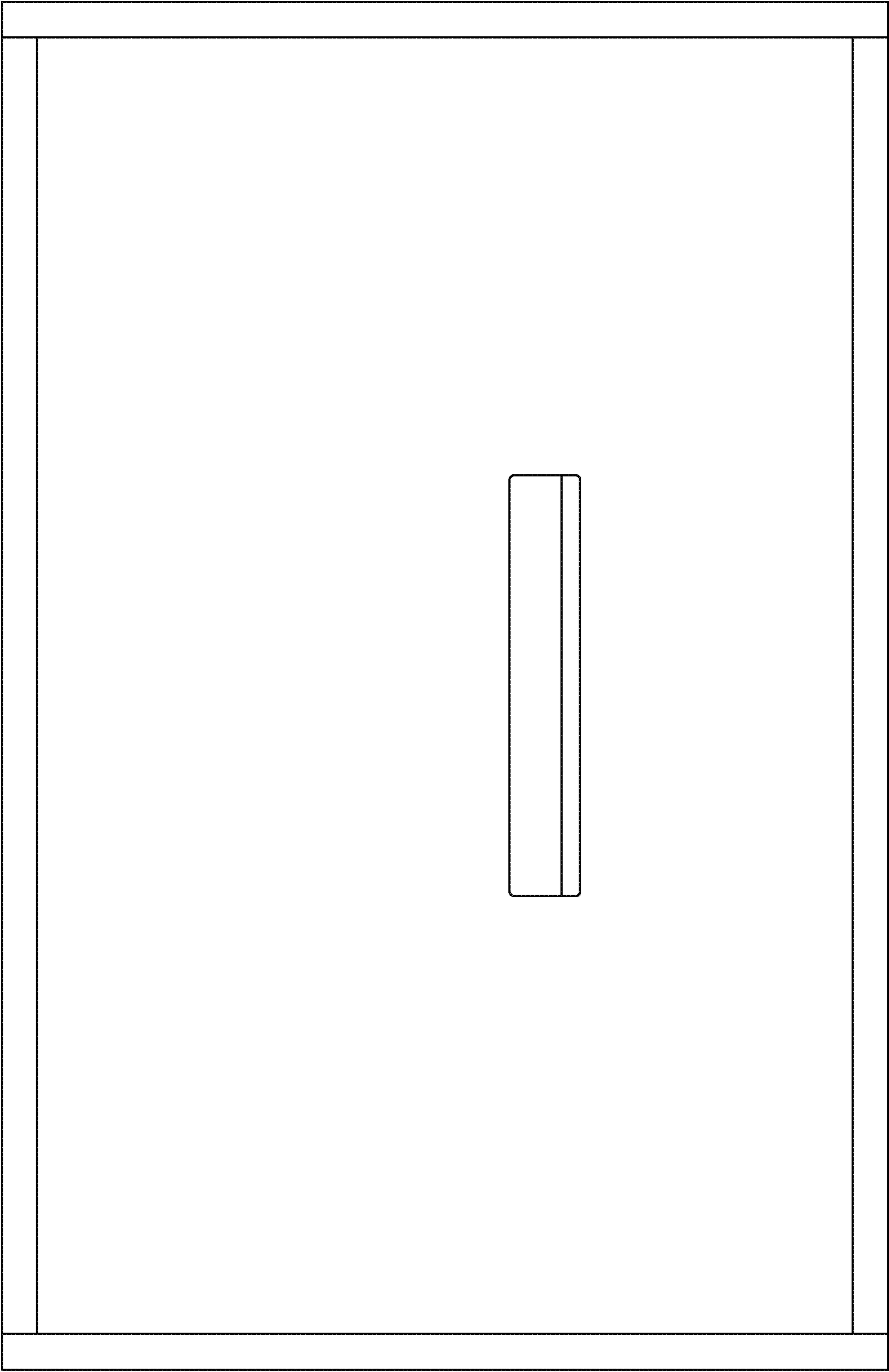


FIG. 12

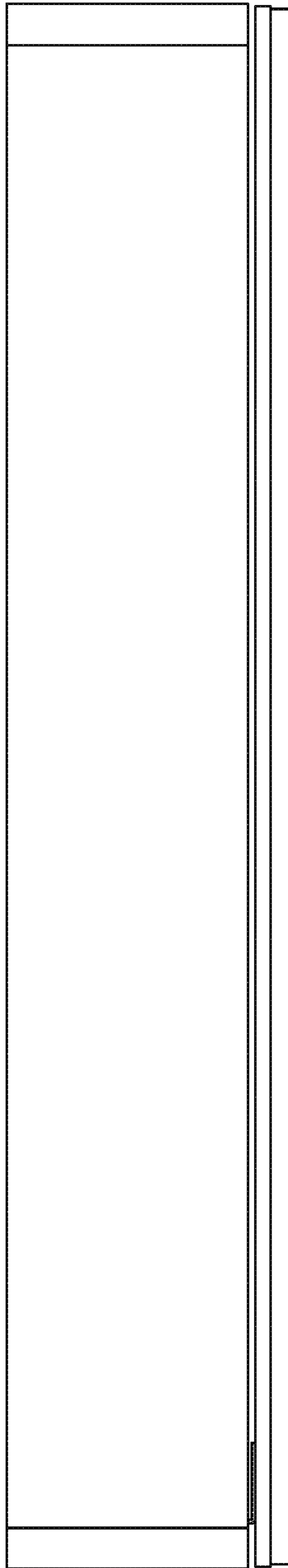


FIG. 13

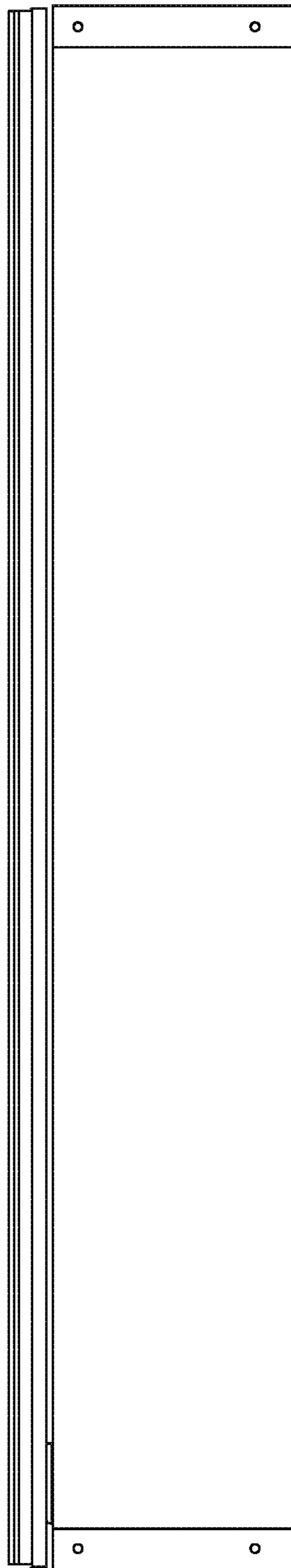


FIG. 14



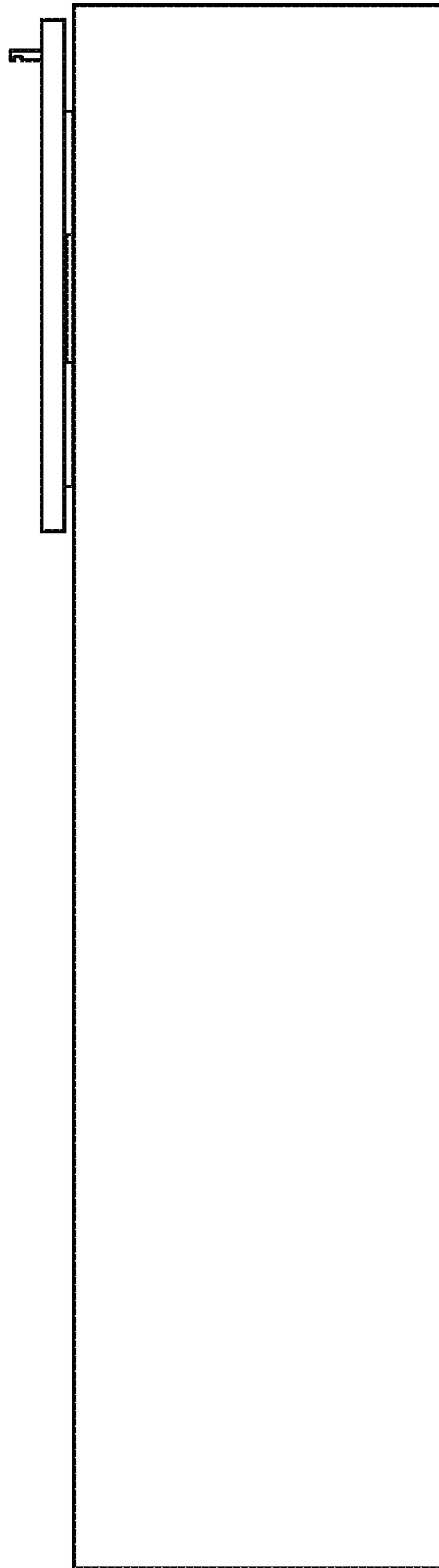


FIG. 15

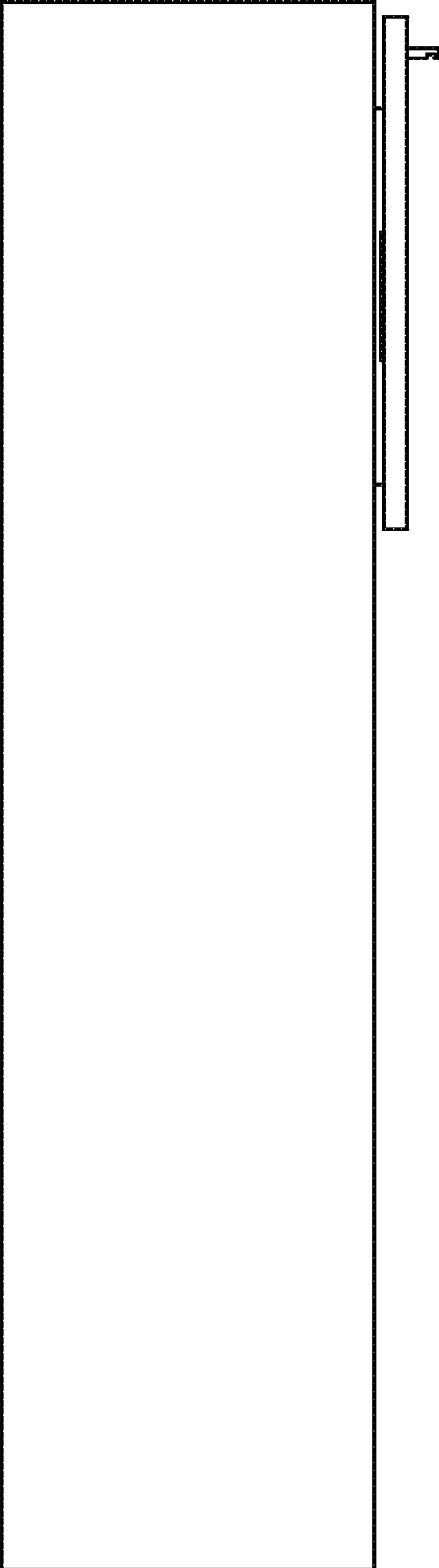


FIG. 16

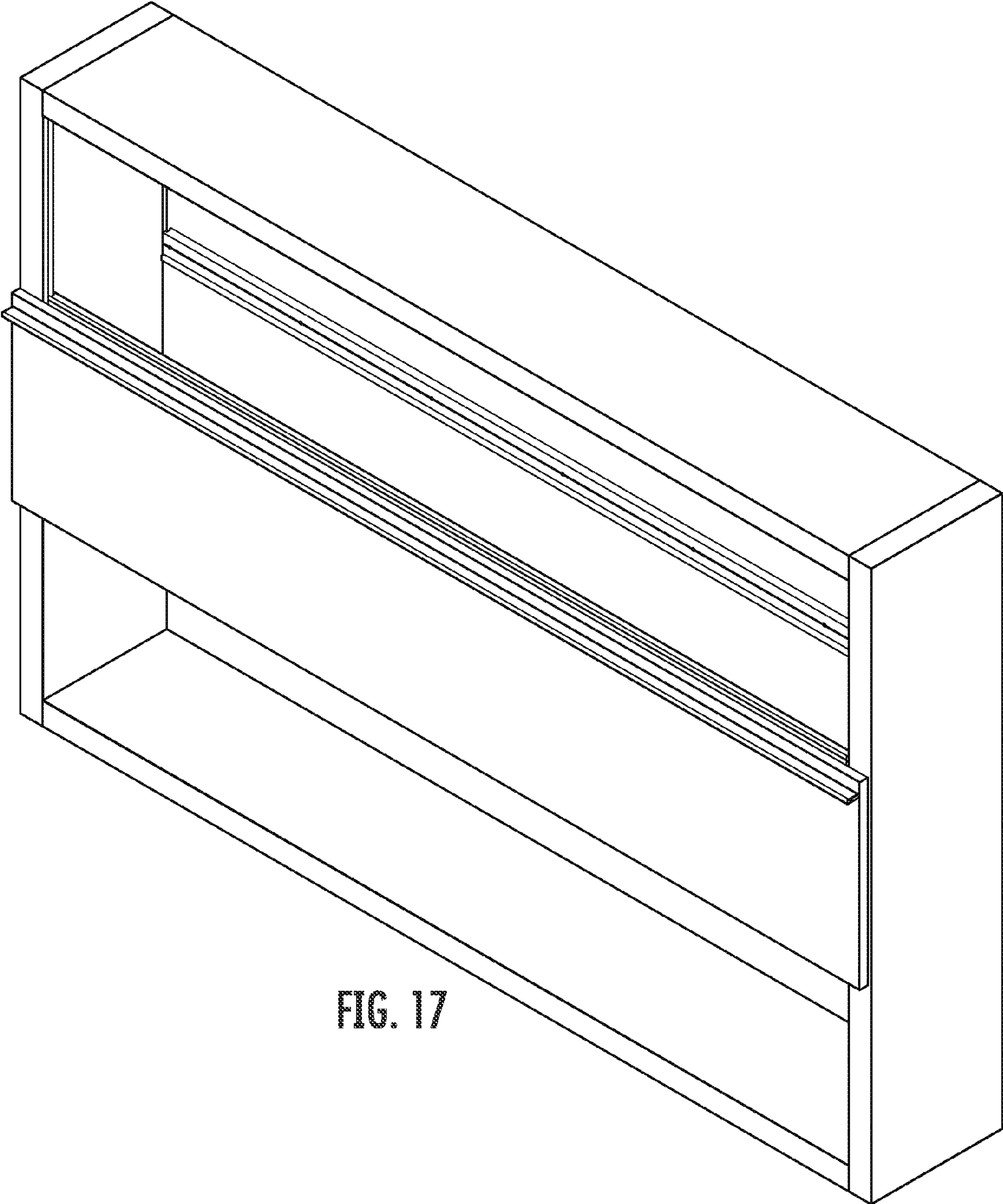


FIG. 17