



US00D603184S

(12) **United States Design Patent**
Abel et al.

(10) **Patent No.:** **US D603,184 S**
(45) **Date of Patent:** **** Nov. 3, 2009**

(54) **PORTABLE, MODULAR, VOTING BOOTH**

DESCRIPTION

(76) Inventors: **Gary V. Abel**, 3882 Whitebrook La., Ellicott City, MD (US) 21042; **Joseph Wilson**, 206 Vallis Dr., Spencer, WV (US) 25276

(**) Term: **14 Years**

(21) Appl. No.: **29/314,875**

(22) Filed: **May 6, 2009**

Related U.S. Application Data

(63) Continuation-in-part of application No. 29/314,443, filed on Apr. 1, 2009.

(51) **LOC (9) Cl.** **06-03**

(52) **U.S. Cl.** **D6/421**

(58) **Field of Classification Search** D6/421-428, D6/429, 487; 312/194-196, 198; 108/50.01, 108/50.02, 60; 235/51, 50 R; 52/36.1, 36.4
See application file for complete search history.

(56) **References Cited**

U.S. PATENT DOCUMENTS

D176,289 S *	12/1955	Schumacher	D6/421
D191,747 S *	11/1961	Jentzen	D6/421
3,211,506 A *	10/1965	Levy et al.	312/239
D203,121 S *	12/1965	Barecki	D6/421
D221,386 S *	8/1971	Babbs	D6/421
2004/0149177 A1 *	8/2004	Gayhart et al.	108/50.02

* cited by examiner

Primary Examiner—Janice E Seeger

(74) *Attorney, Agent, or Firm*—Ober / Kaler; Royal W. Craig

(57) **CLAIM**

The ornamental design for a portable, modular, voting booth, as shown and described.

FIG. 1 is a front-left perspective view of a portable, modular, voting booth according to our new design. The front-right perspective view of the portable, modular, voting booth is a mirror image of FIG. 1.

FIG. 2 is a left side view of the portable, modular, voting booth as in FIG. 1. The right side view of the portable, modular, voting booth is a mirror image of FIG. 2.

FIG. 3 is a top view of the portable, modular, voting booth as in FIGS. 1-2.

FIG. 4 is a bottom view of the portable, modular, voting booth as in FIGS. 1-3.

FIG. 5 is a front view of the portable, modular, voting booth as in FIGS. 1-4.

FIG. 6 is a back view of the portable, modular, voting booth as in FIGS. 1-5.

FIG. 7 is a front-left perspective view of a first alternate embodiment of the portable, modular, voting booth as shown in FIGS. 1-6. The front-right perspective view of the first alternate embodiment of the portable, modular voting booth is a mirror image of FIG. 7.

FIG. 8 is a left side view of the first alternate embodiment of the portable, modular, voting booth as in FIG. 7. The left side view of the first alternate embodiment of the portable, modular, voting booth is a mirror image of FIG. 8.

FIG. 9 is a top view of the first alternate embodiment of the portable, modular, voting booth as in FIGS. 7-8.

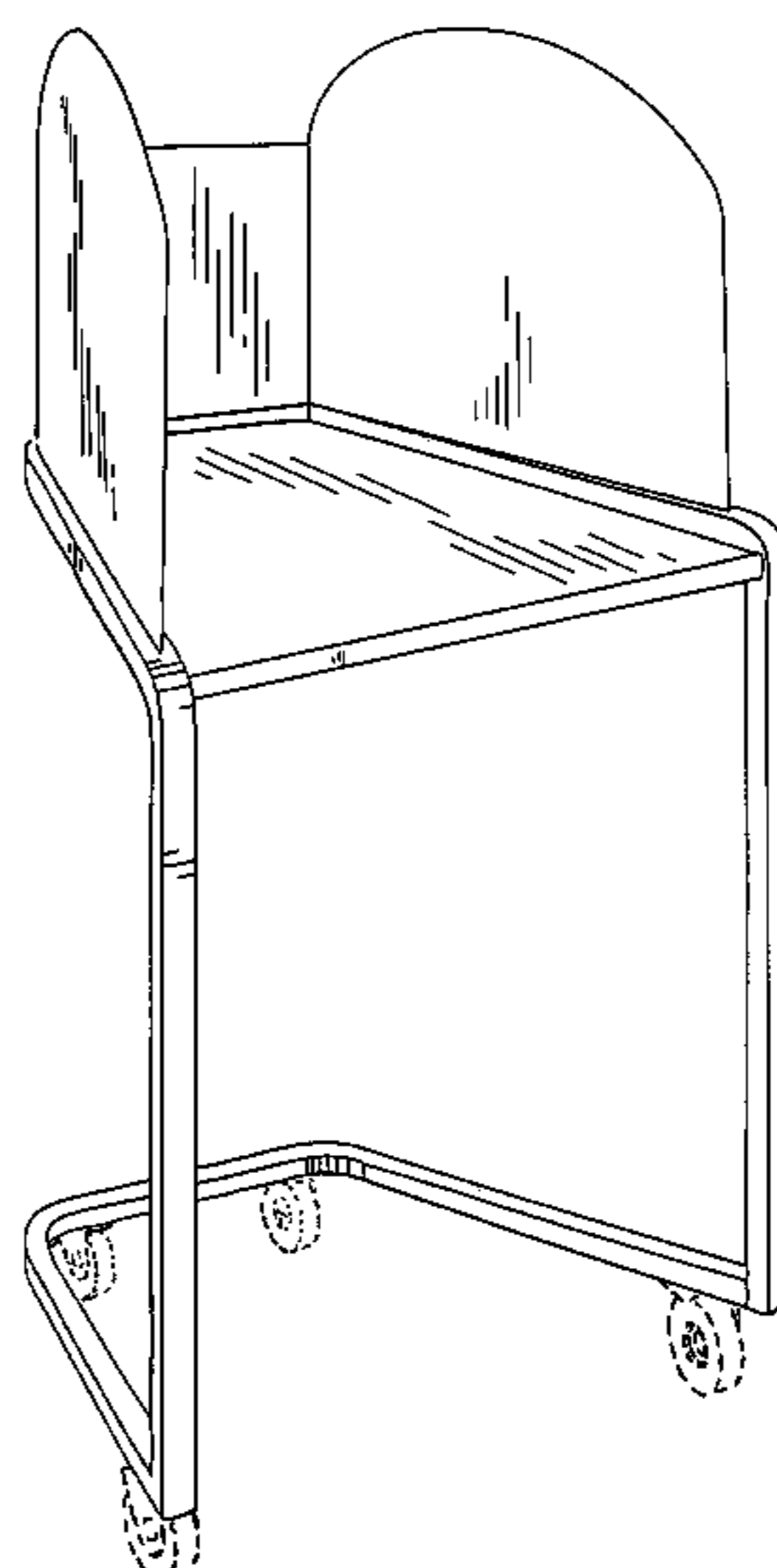
FIG. 10 is a bottom view of the first alternate embodiment of the portable, modular, voting booth as in FIGS. 7-9.

FIG. 11 is a front view of the first alternate embodiment of the portable, modular, voting booth as in FIGS. 7-10; and,

FIG. 12 is a back view of the first alternate embodiment of the portable, modular voting booth as in FIGS. 7-11.

The broken lines are for environmental purposes only and form no part of the claimed design.

1 Claim, 10 Drawing Sheets



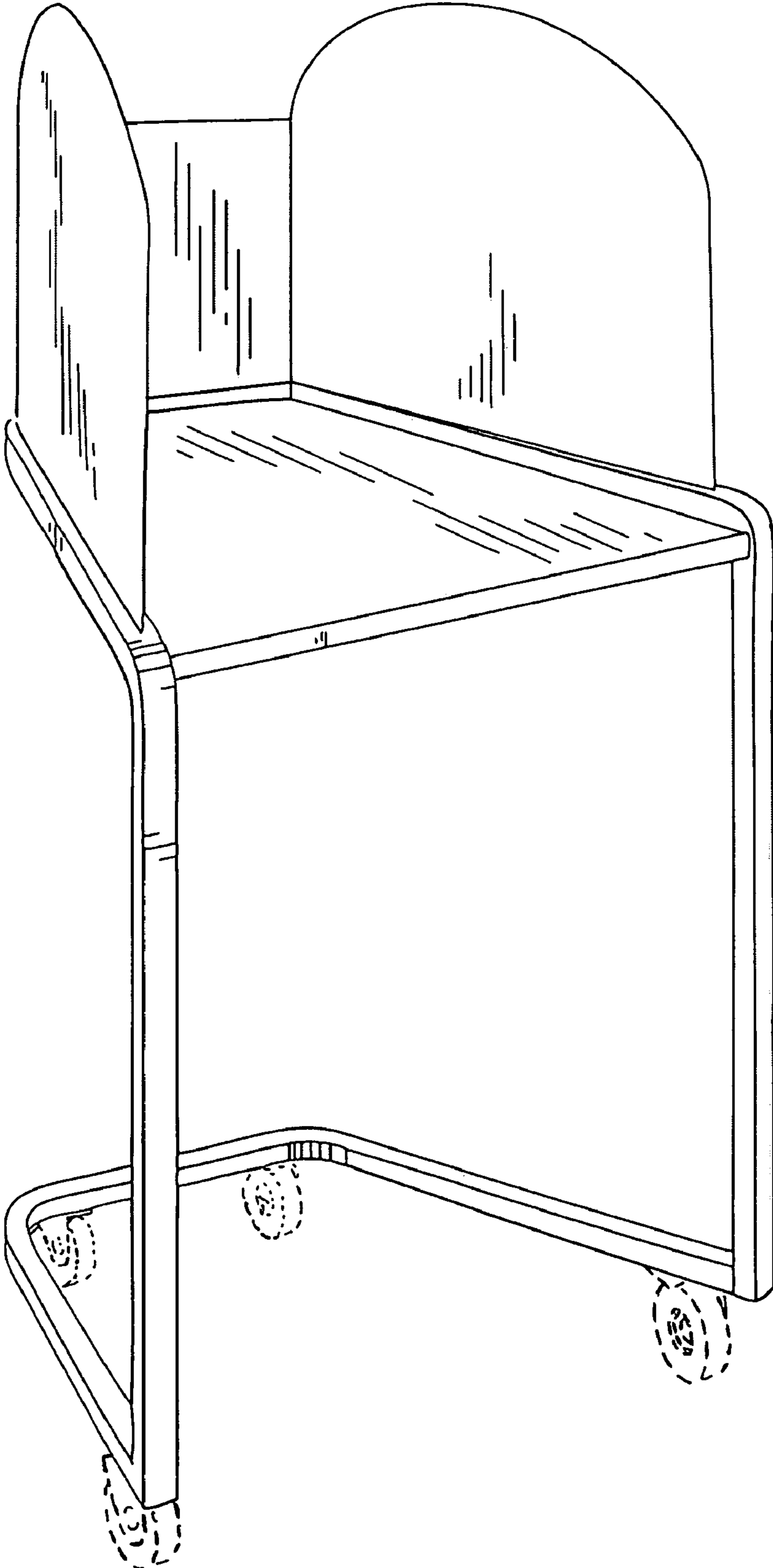


FIG. 1

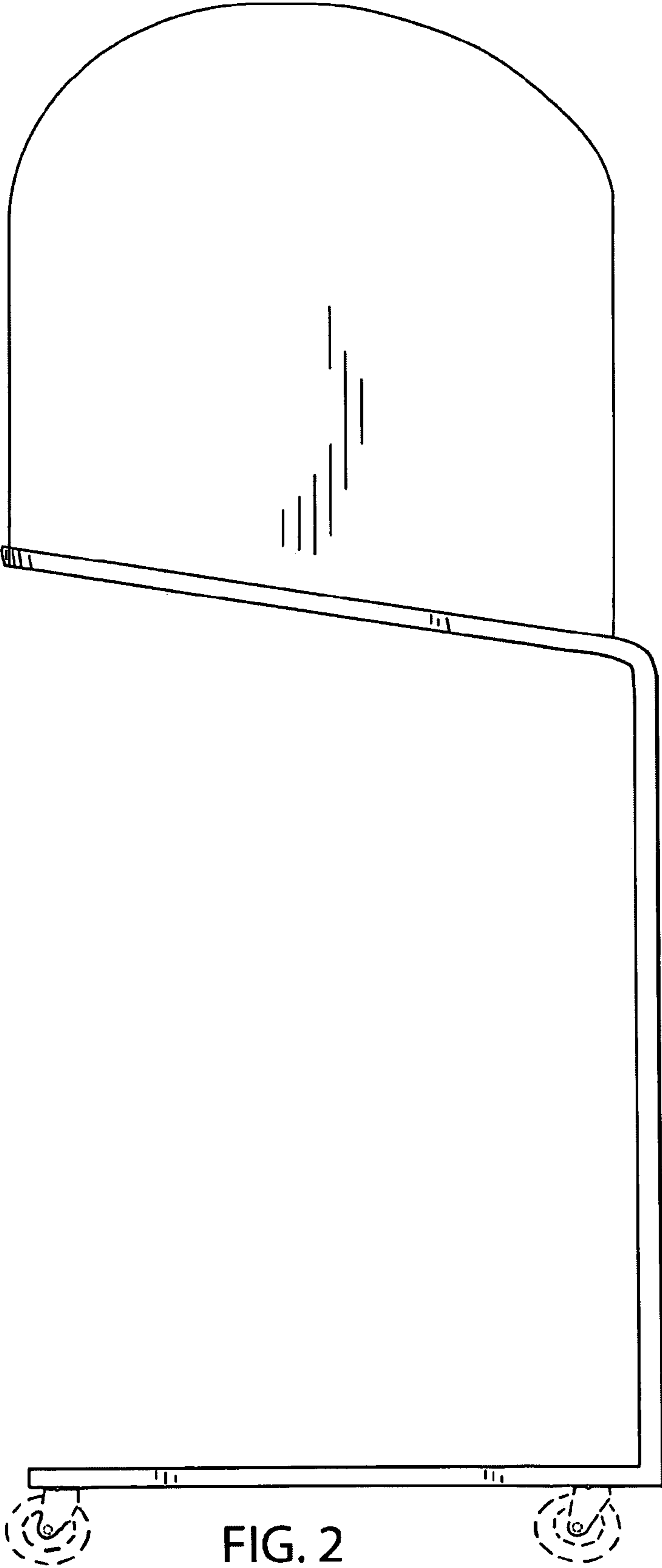


FIG. 2

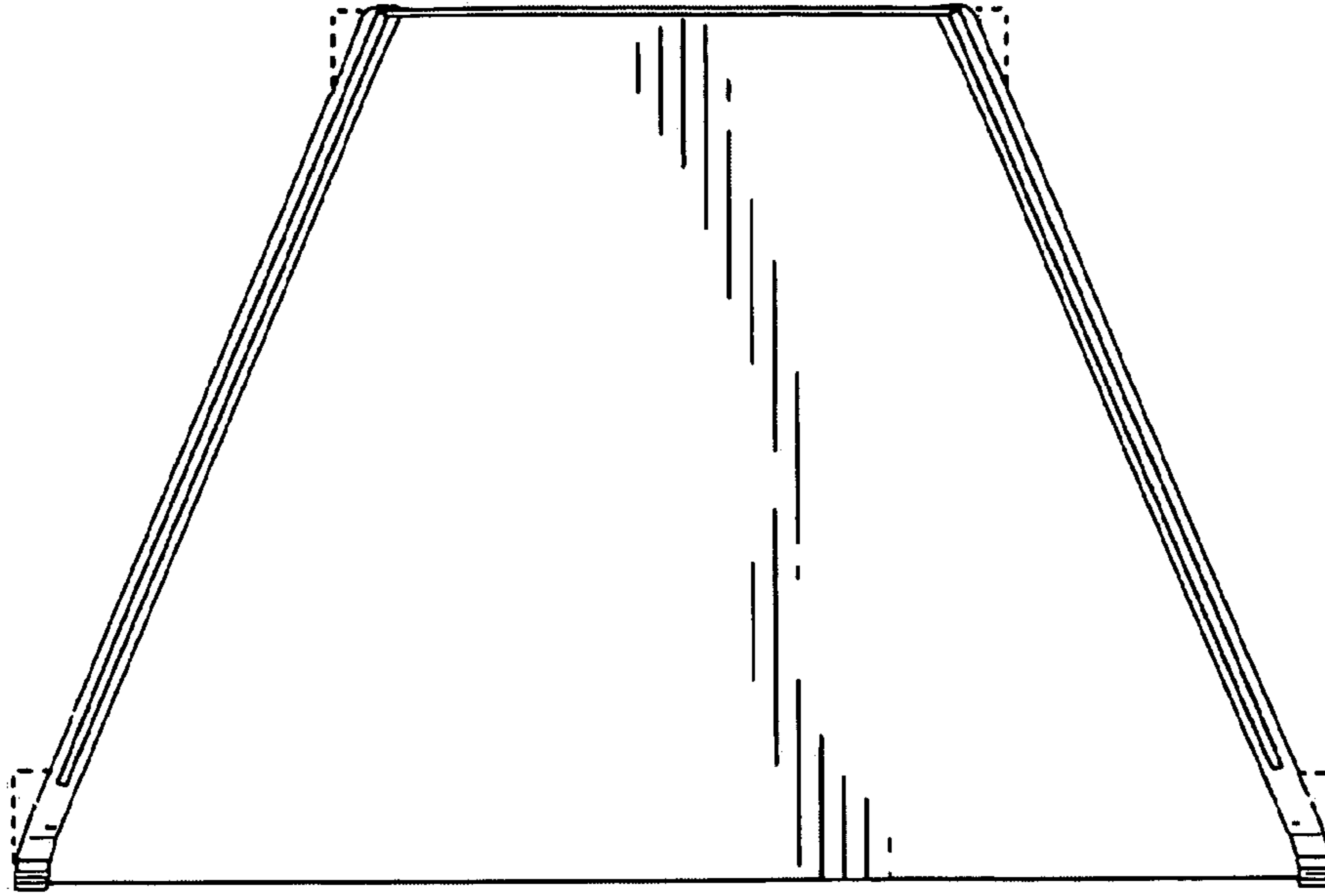


FIG. 3

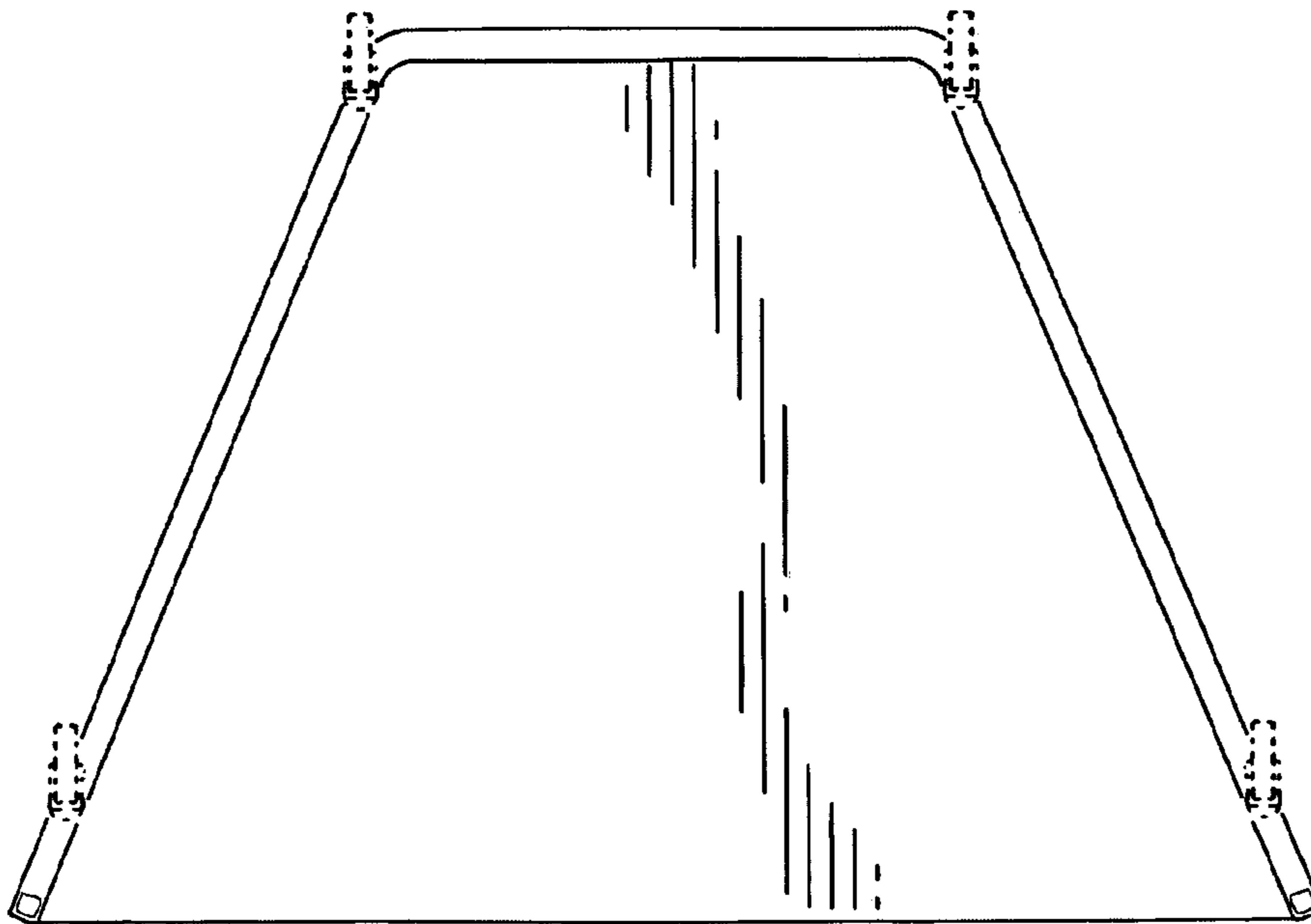


FIG. 4

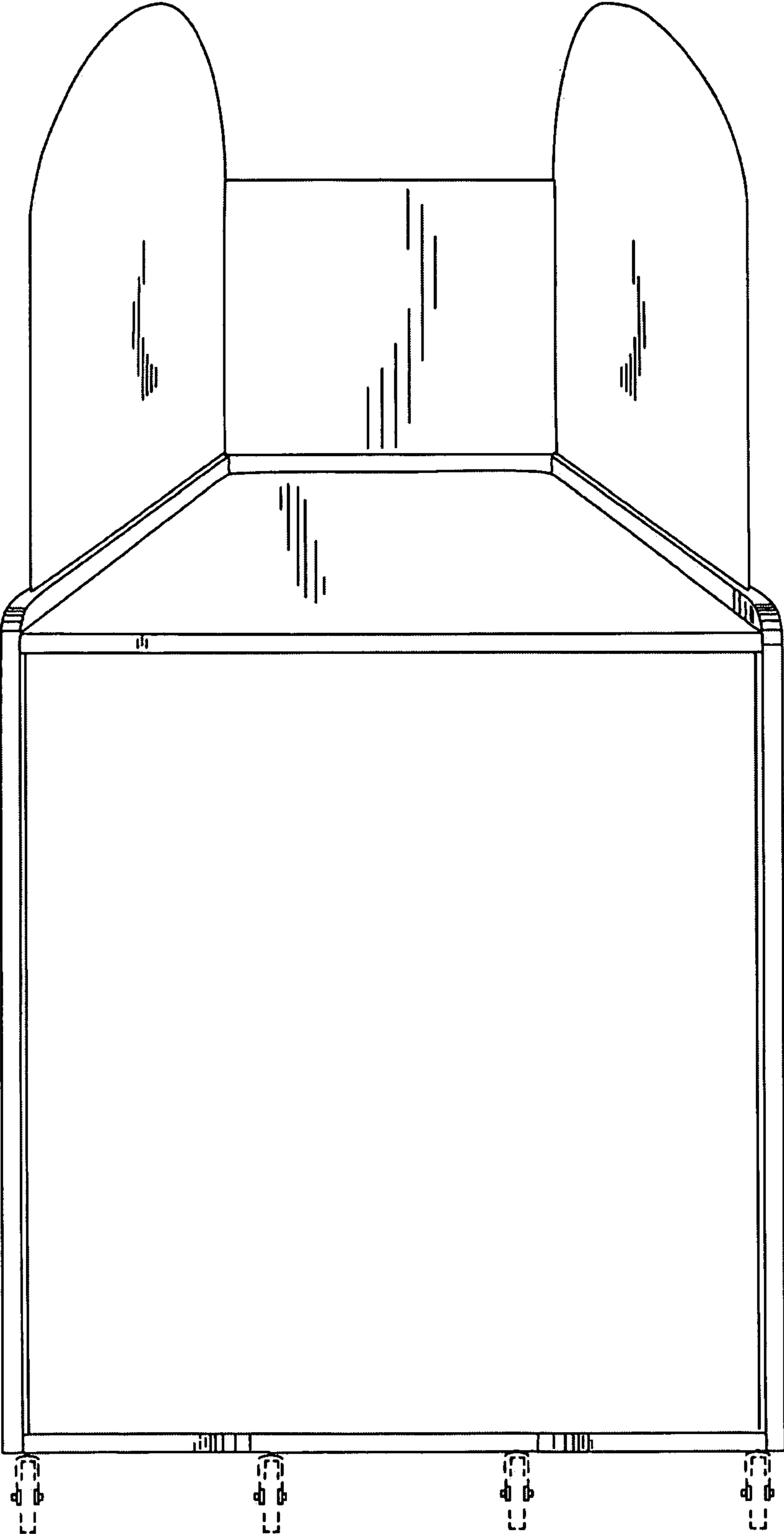


FIG. 5

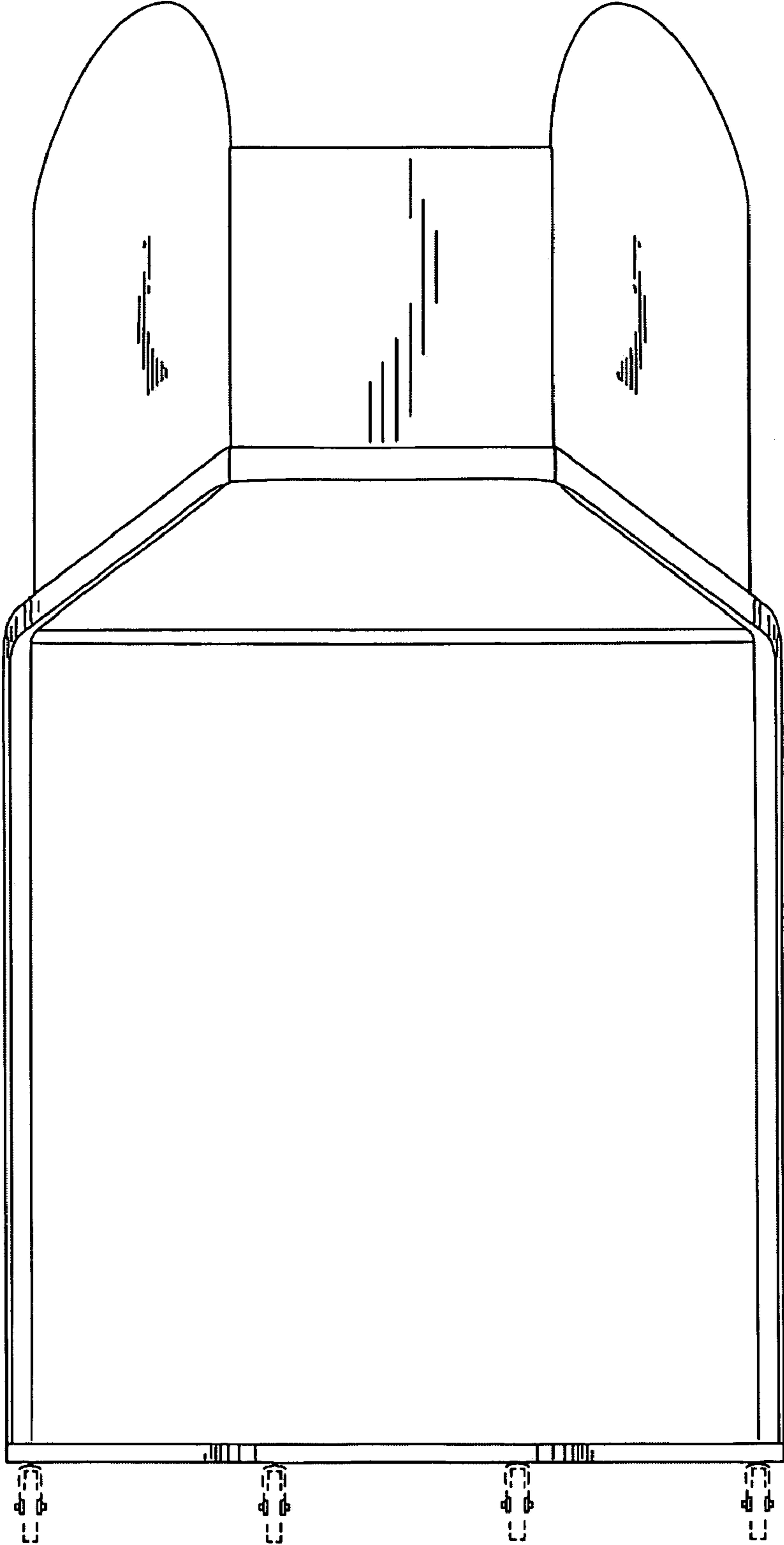


FIG. 6

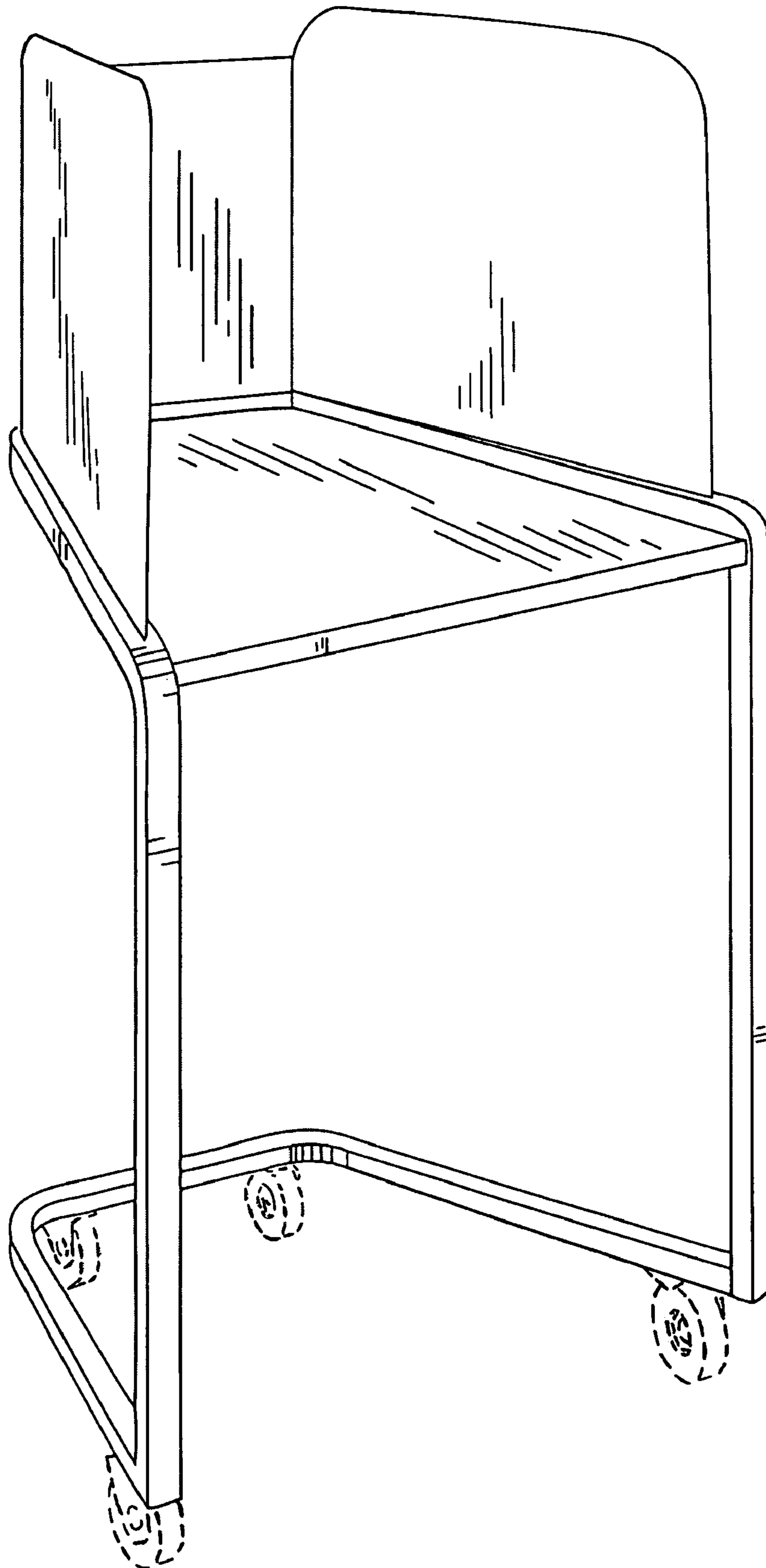


FIG. 7

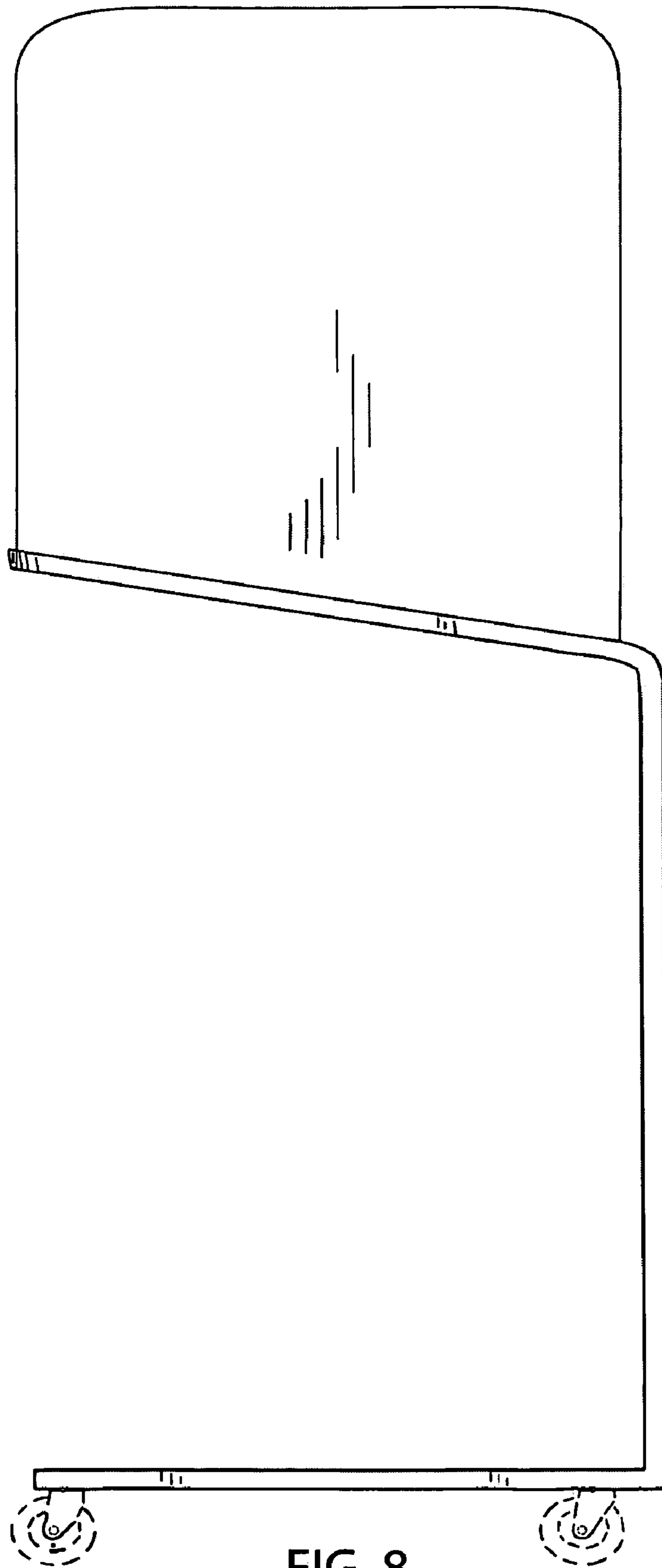


FIG. 8

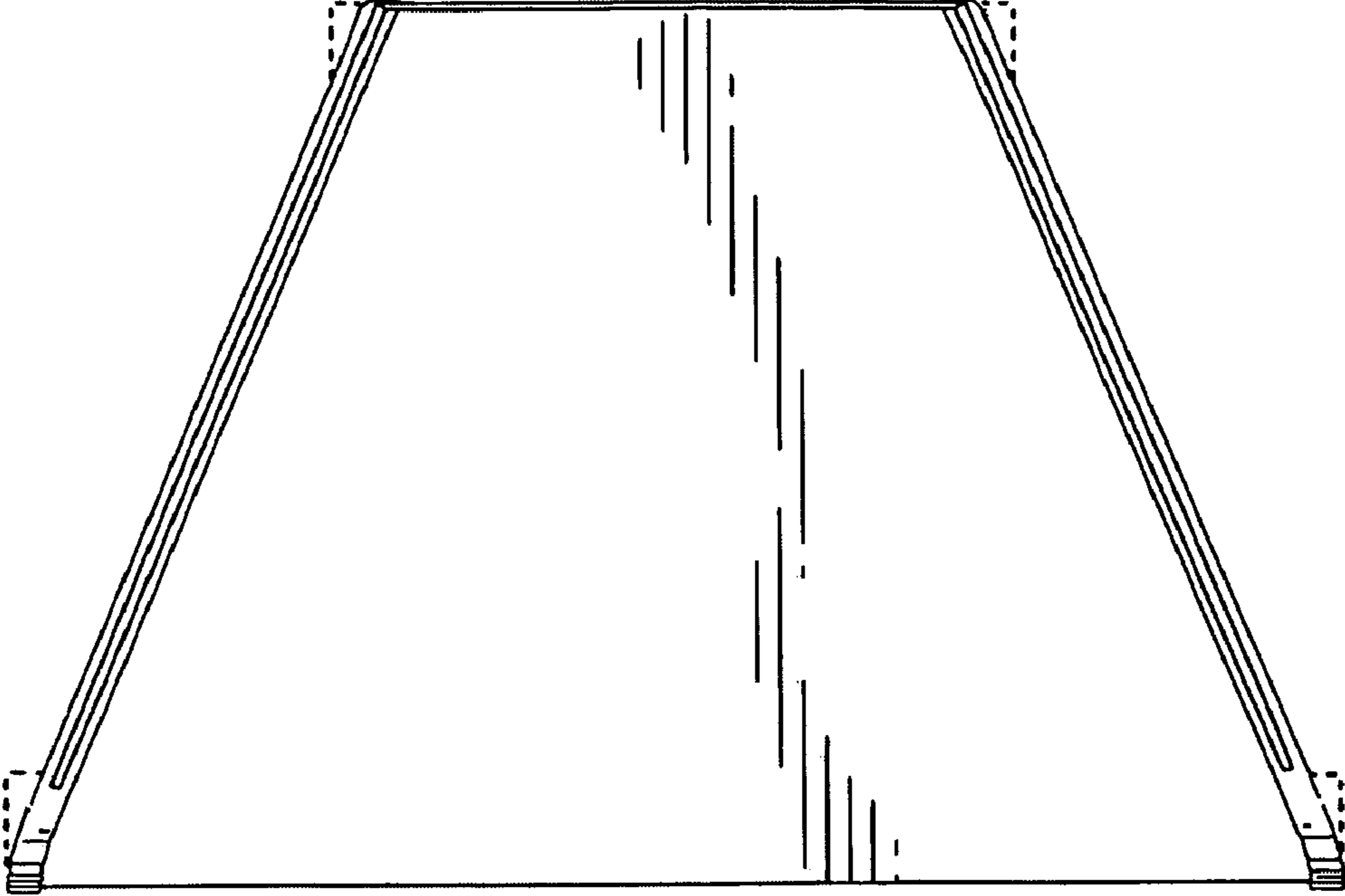


FIG. 9

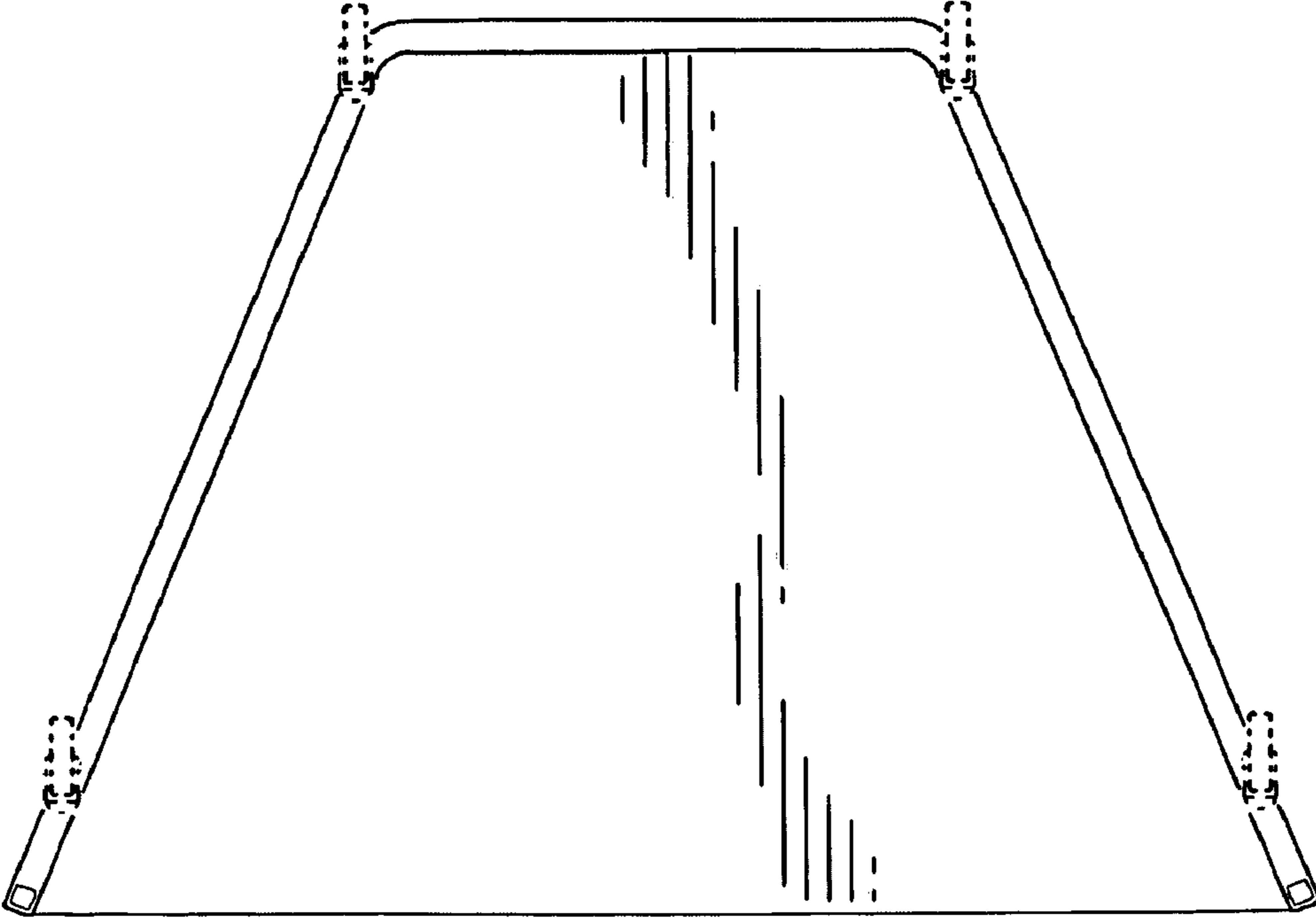


FIG. 10

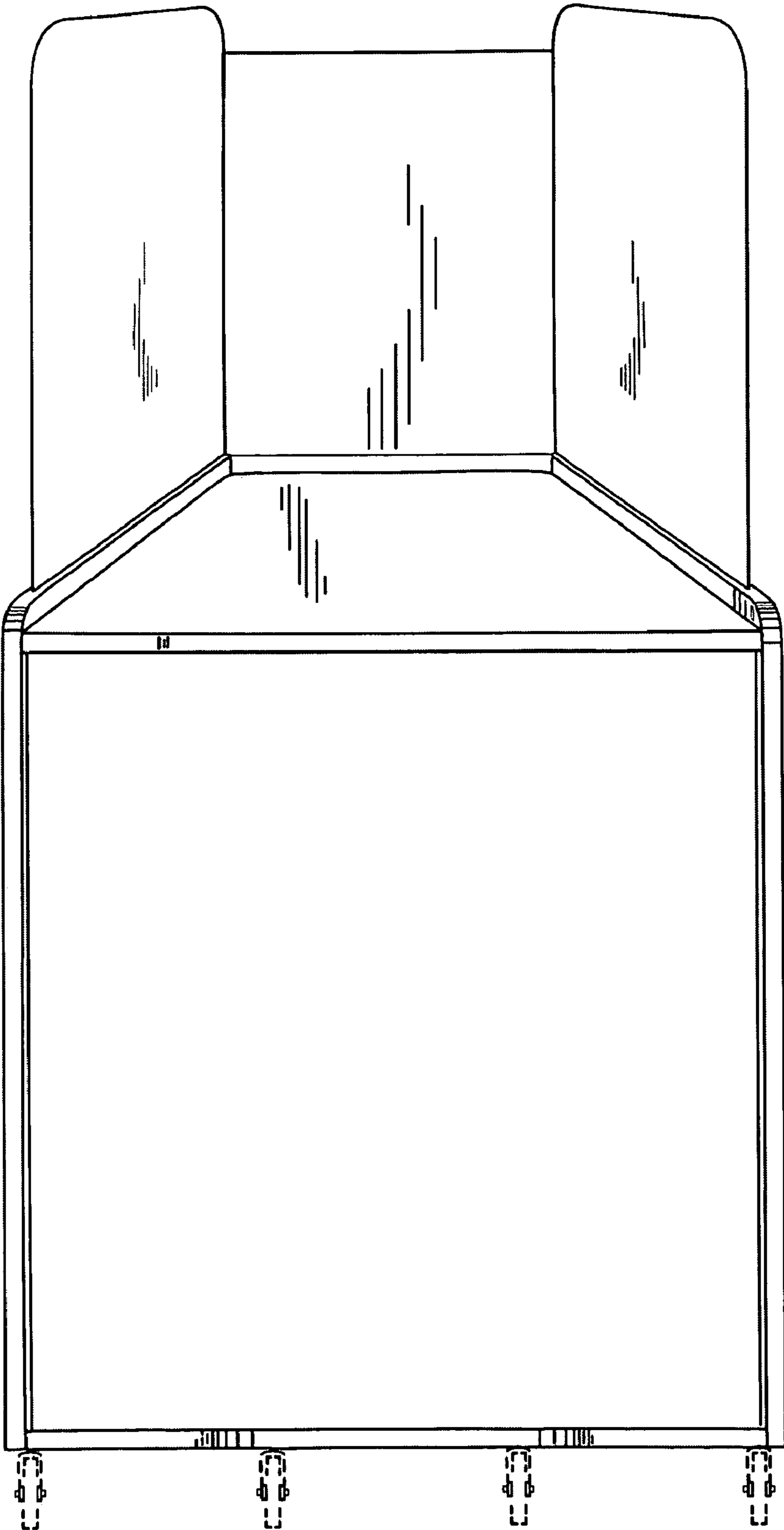


FIG. 11

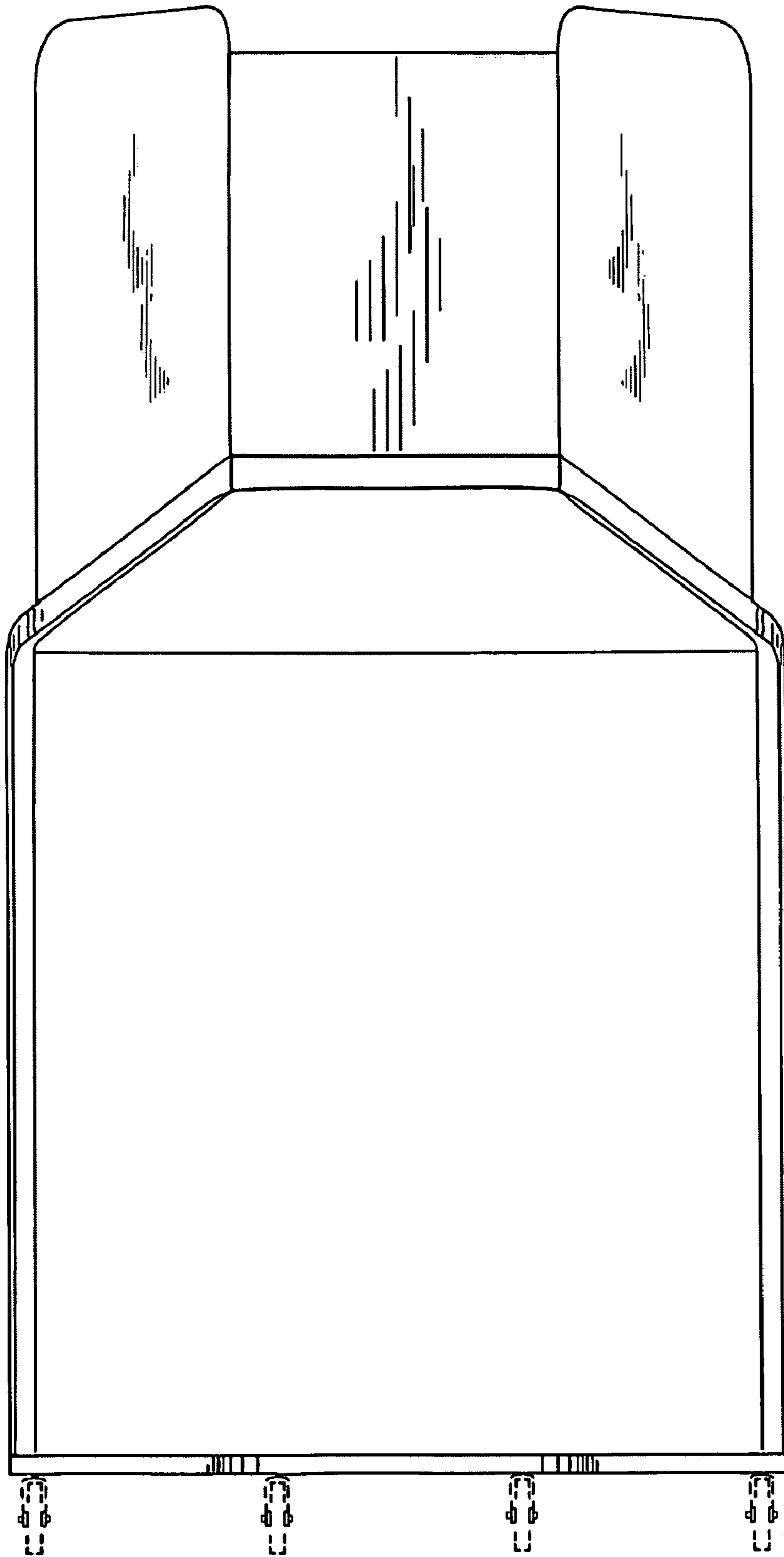


FIG. 12