



US00D603182S

(12) **United States Design Patent**
Smith

(10) **Patent No.:** **US D603,182 S**

(45) **Date of Patent:** **** Nov. 3, 2009**

(54) **PORTABLE AUTOMOBILE DESK**

(76) **Inventor:** **Dany G. Smith**, 2562 Sunnyvale Rd.,
Grand Prairie, TX (US) 75050

(**) **Term:** **14 Years**

(21) **Appl. No.:** **29/268,176**

(22) **Filed:** **Oct. 31, 2006**

(51) **LOC (9) Cl.** **06-06**

(52) **U.S. Cl.** **D6/406.2**

(58) **Field of Classification Search** D6/406,
D6/406.1, 451, 419, 482, 511, 406.2, 407,
D6/420, 449, 486, 495; D12/415, 421-425,
D12/426.1; D19/92, 88, 84, 52, 35, 90, 91;
108/43, 44, 49, 106, 108, 144, 150, 156,
108/97, 99, 47, 115; 297/144, 145, 188.04;
224/427, 276, 77, 281, 265, 311, 270; 211/88.01;
D7/550.01, 554.1, 554.3; 248/281.11, 279.1;
D8/380

See application file for complete search history.

(56) **References Cited**

U.S. PATENT DOCUMENTS

D239,531 S *	4/1976	Clowe	D19/91
D306,383 S *	3/1990	Strater	D6/511
D314,505 S *	2/1991	Chen	D8/380
D323,752 S *	2/1992	Montagner	D6/420
5,279,488 A *	1/1994	Fleming	248/279.1
D356,902 S *	4/1995	Crowell	D12/426.1
5,673,628 A *	10/1997	Boos	108/44
D489,924 S *	5/2004	Luong	D6/511

OTHER PUBLICATIONS

JOTTODESK.COM brochure for OTR Truck.
Autoexec unit having work surface and storage for use in vehicle as
advertised at mobiledesk.com/autoexec.

* cited by examiner

Primary Examiner—Ian Simmons

Assistant Examiner—Anna J Burmeister

(74) *Attorney, Agent, or Firm*—Thompson & Gustavson,
L.L.P.

(57) **CLAIM**

The ornamental design for a portable automobile desk, as
shown and described.

DESCRIPTION

FIG. 1 is a top perspective view of a portable automobile desk,
shown in use, the dotted lines featured within this view rep-
resent environmental structure and form no part of the
claimed design;

FIG. 2 is a front elevational view of a portable automobile
desk;

FIG. 3 is a back elevational view thereof;

FIG. 4 is a left side elevational view thereof;

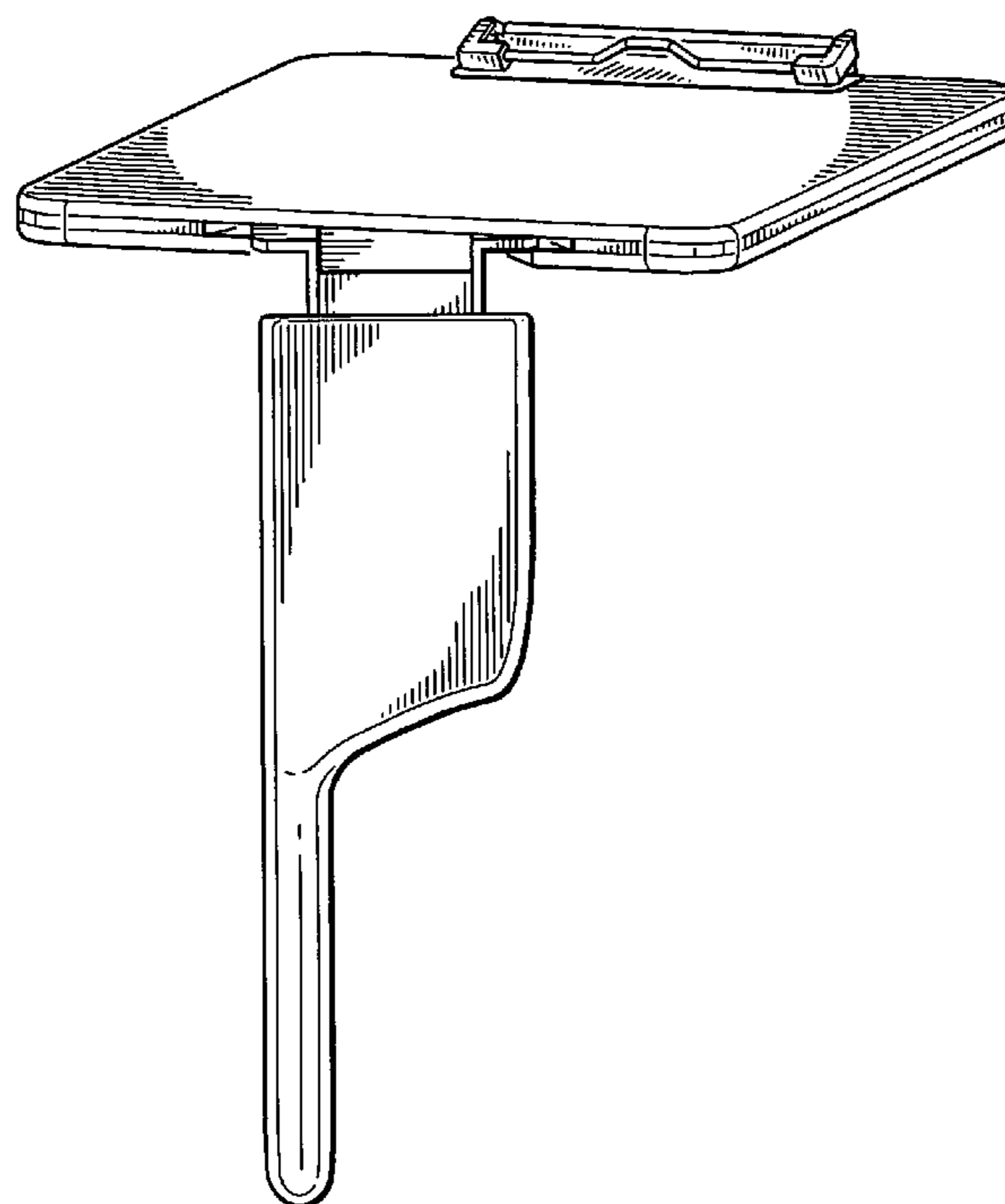
FIG. 5 is a right side elevational view thereof;

FIG. 6 is a top plan view thereof;

FIG. 7 is a bottom plan view thereof; and,

FIG. 8 is a perspective view thereof, shown in an exploded
format.

1 Claim, 6 Drawing Sheets



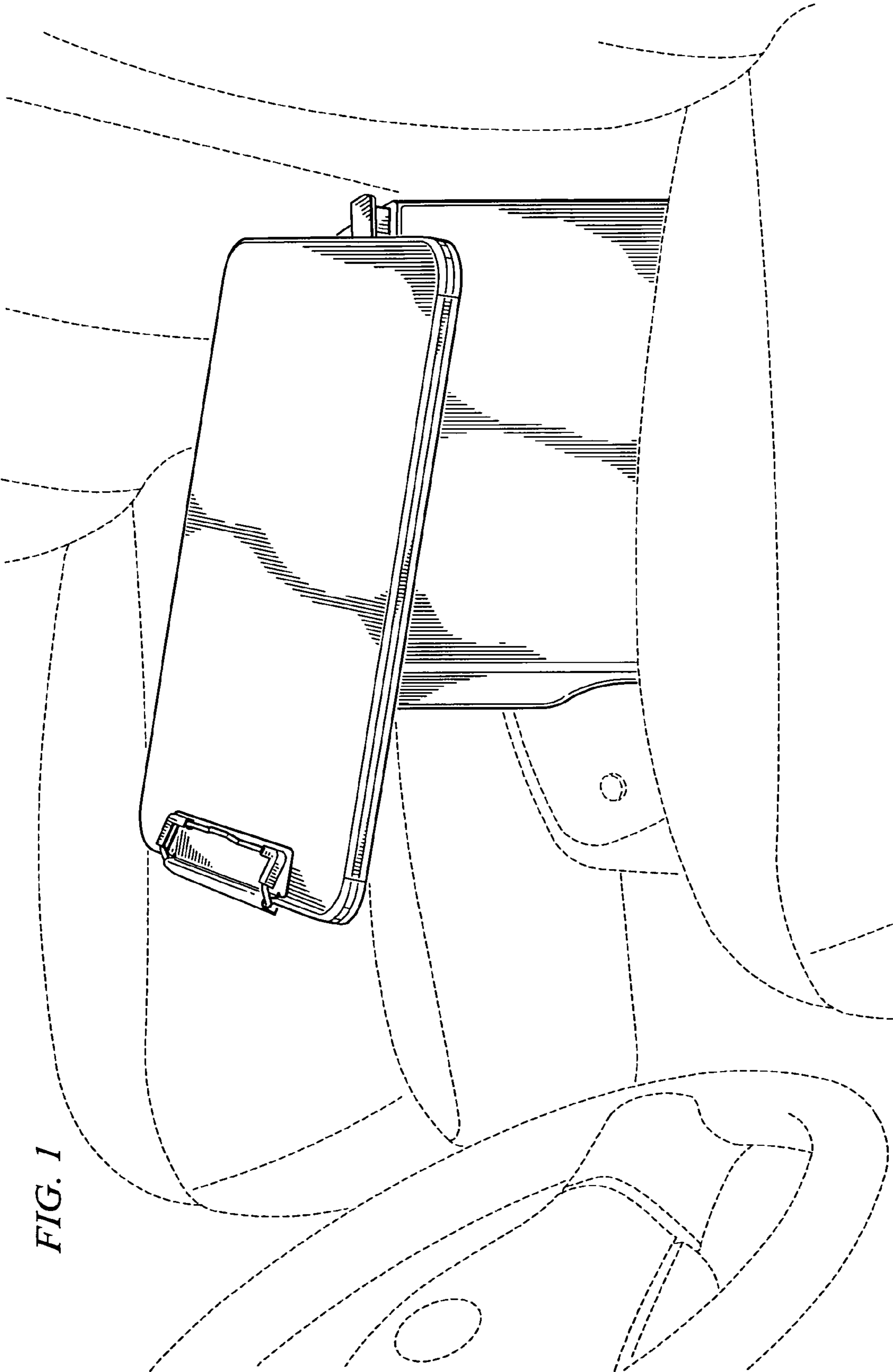


FIG. 1

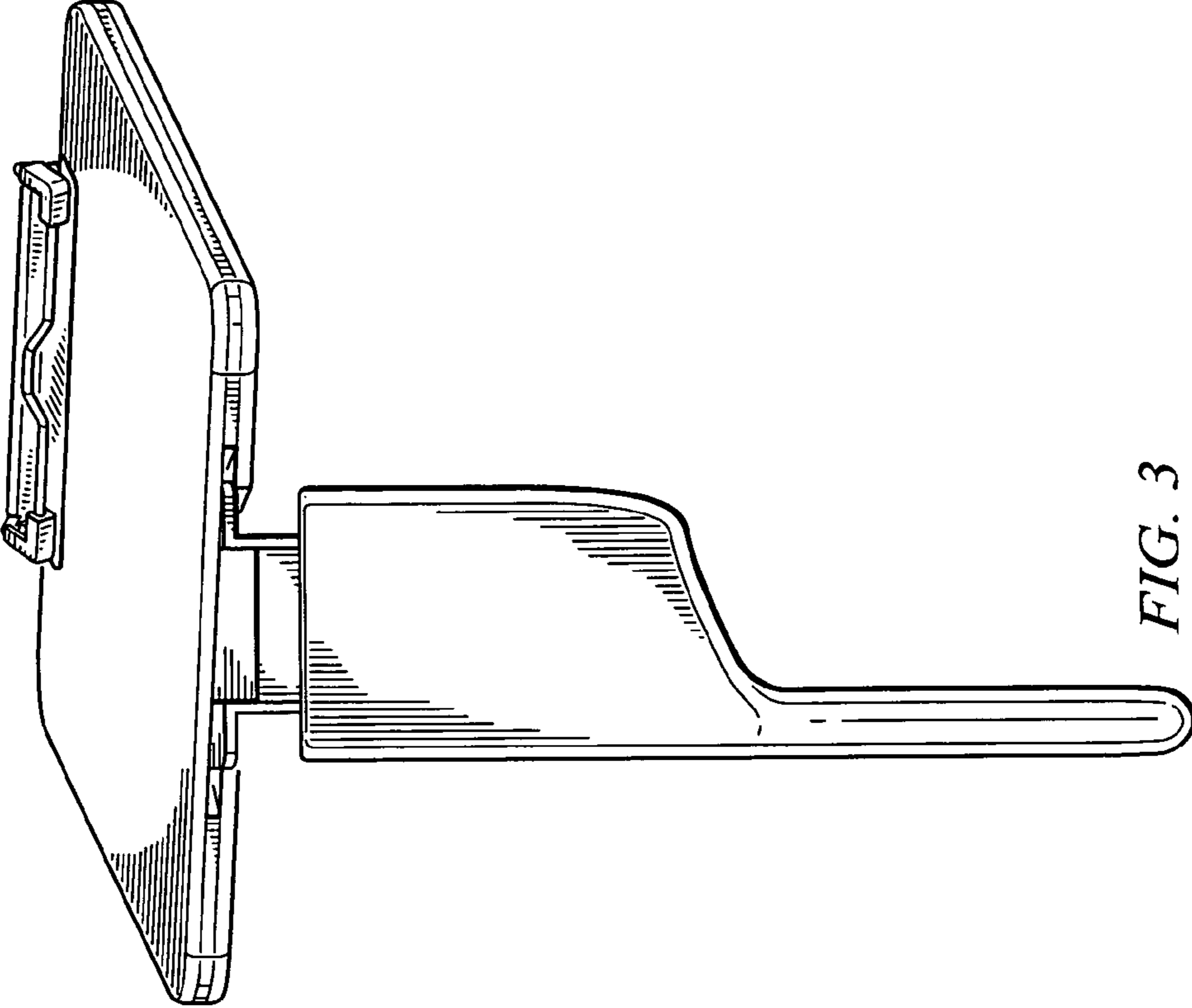


FIG. 3

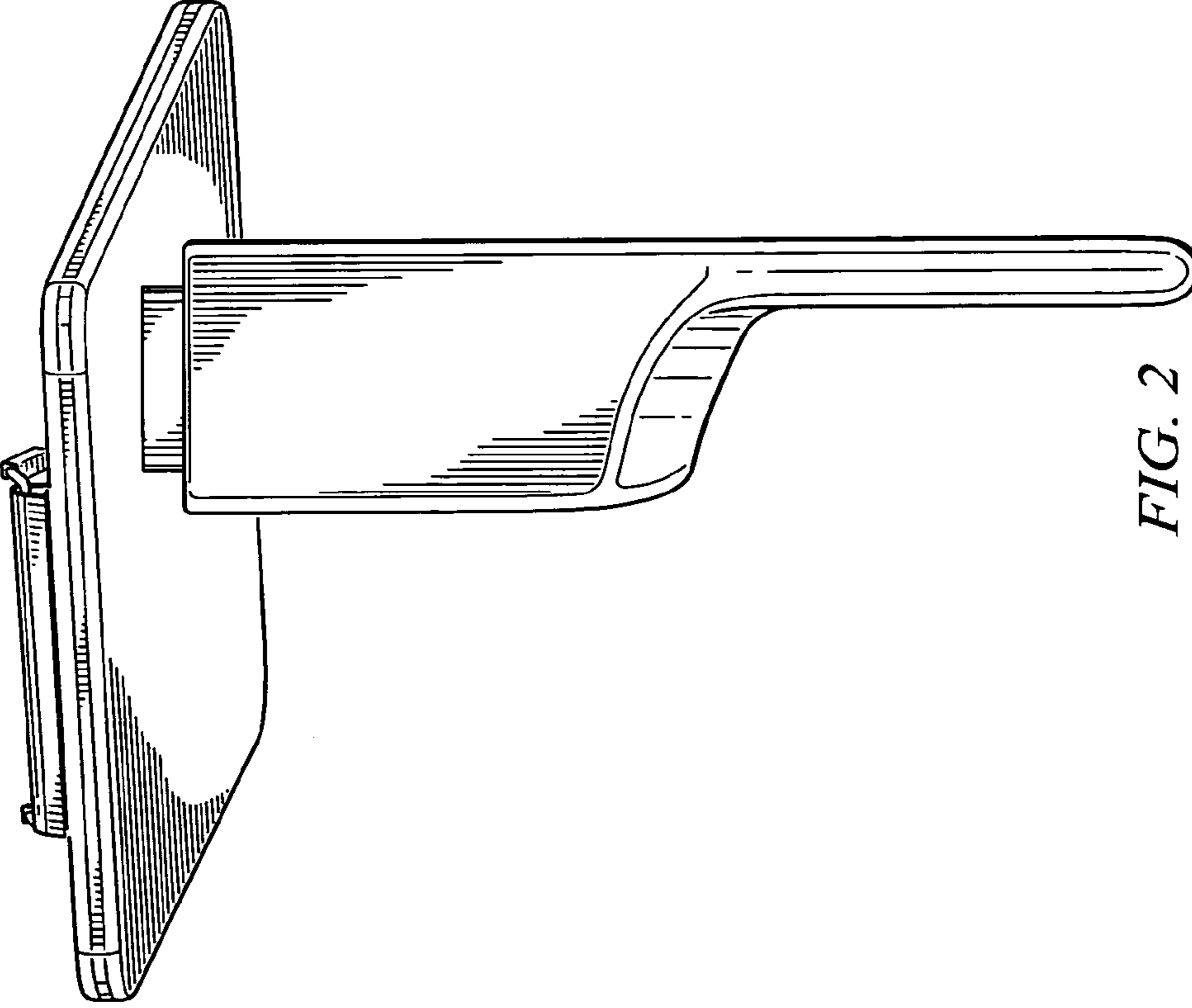


FIG. 2

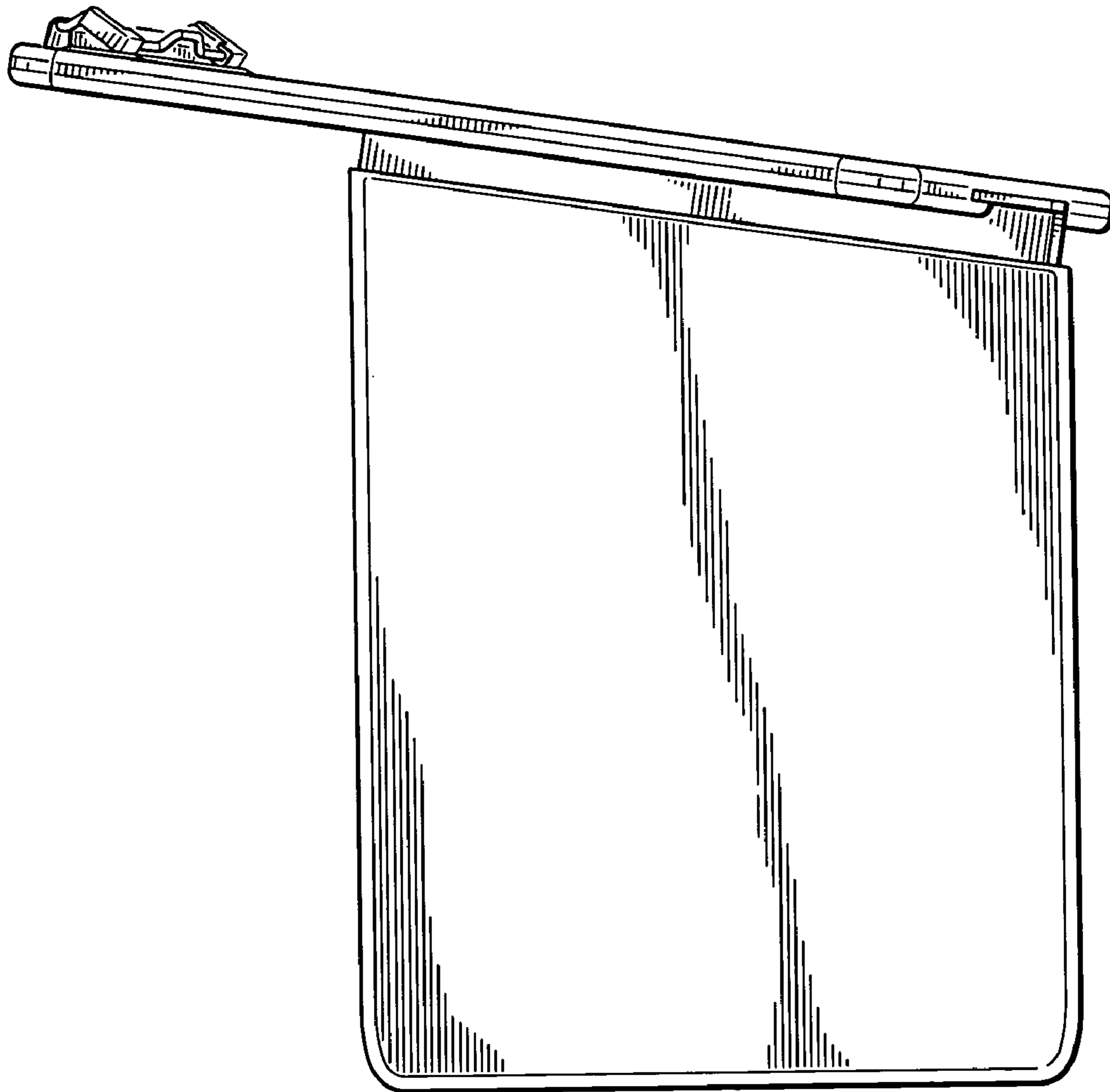


FIG. 4

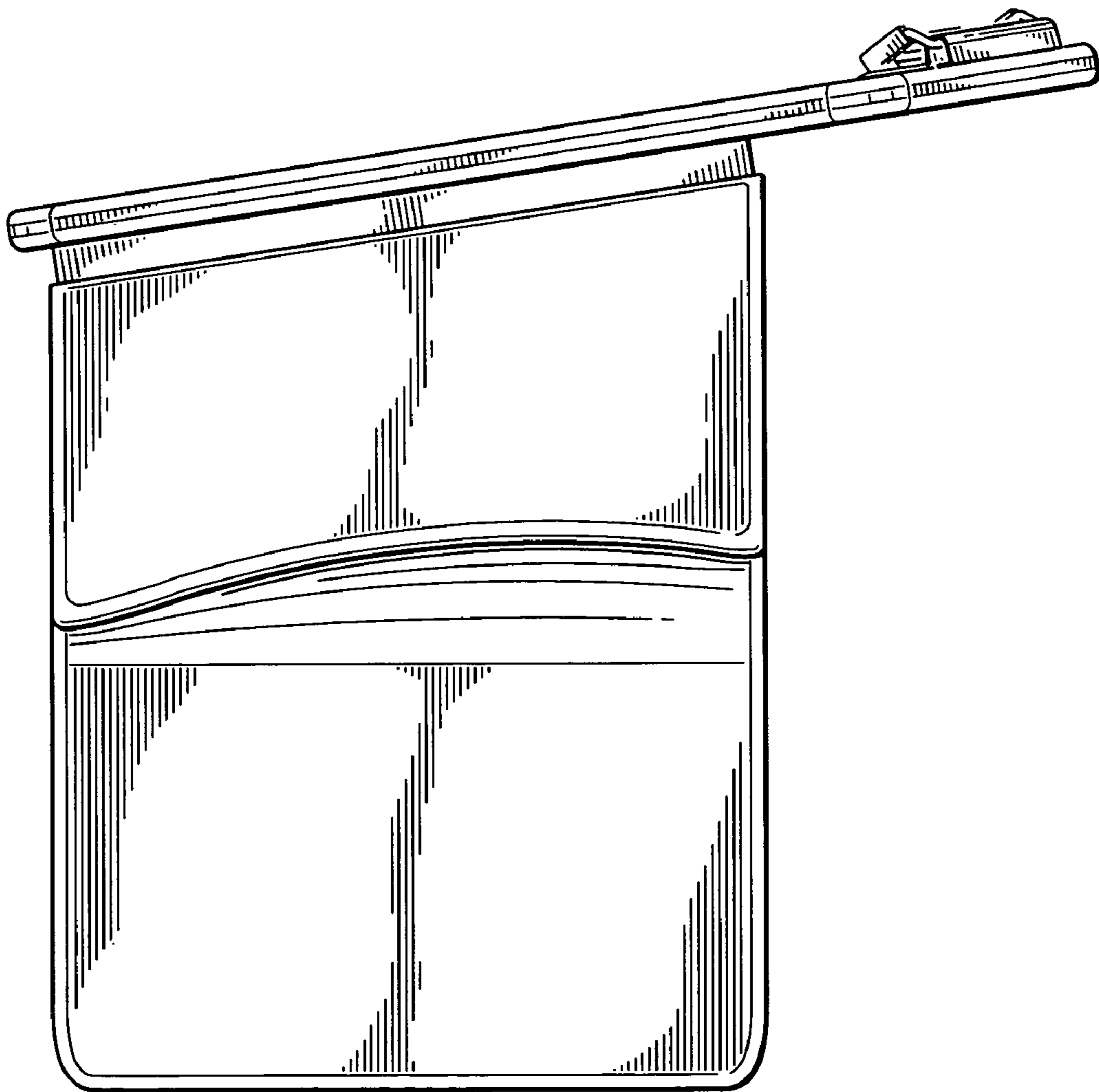


FIG. 5

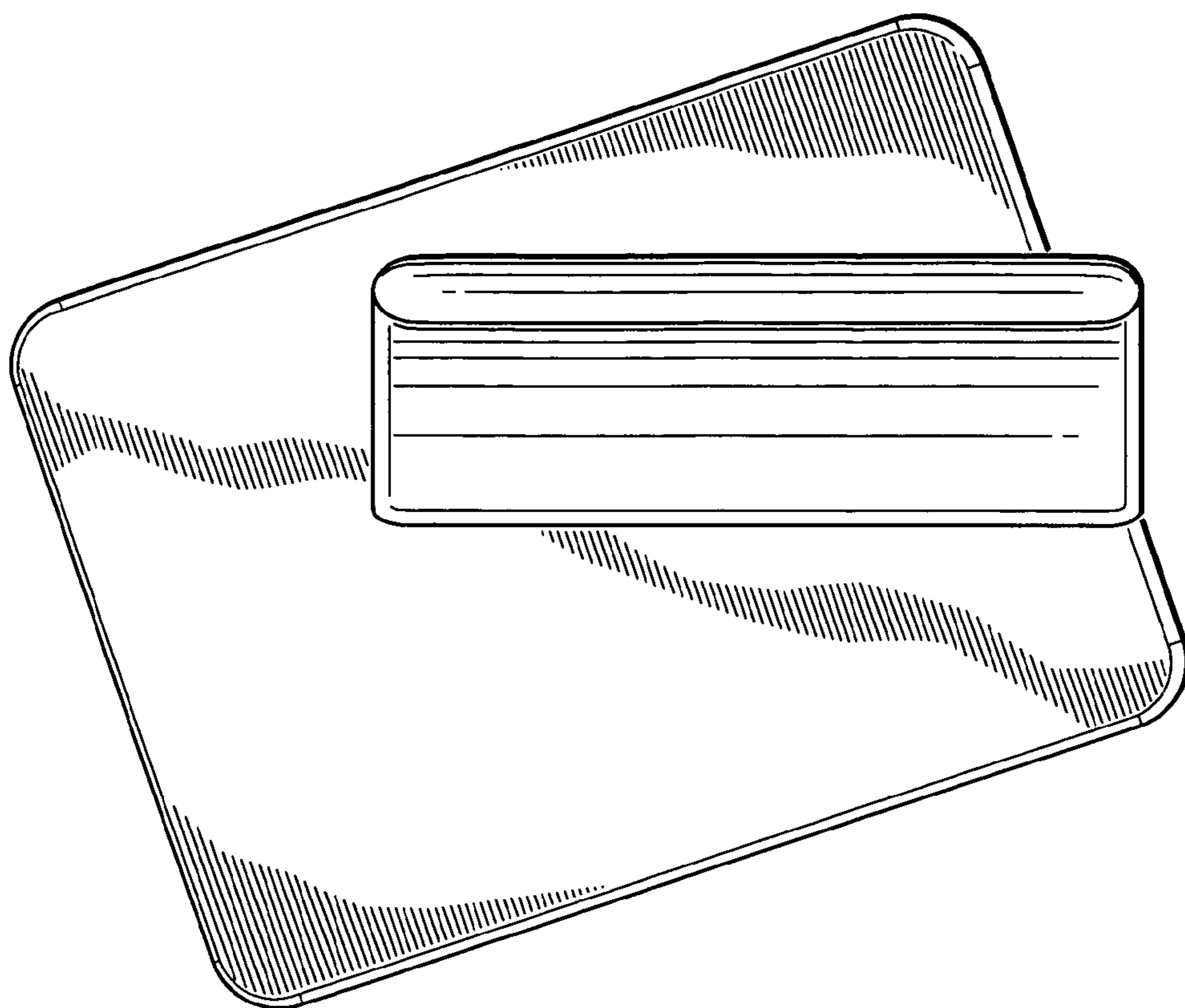


FIG. 7

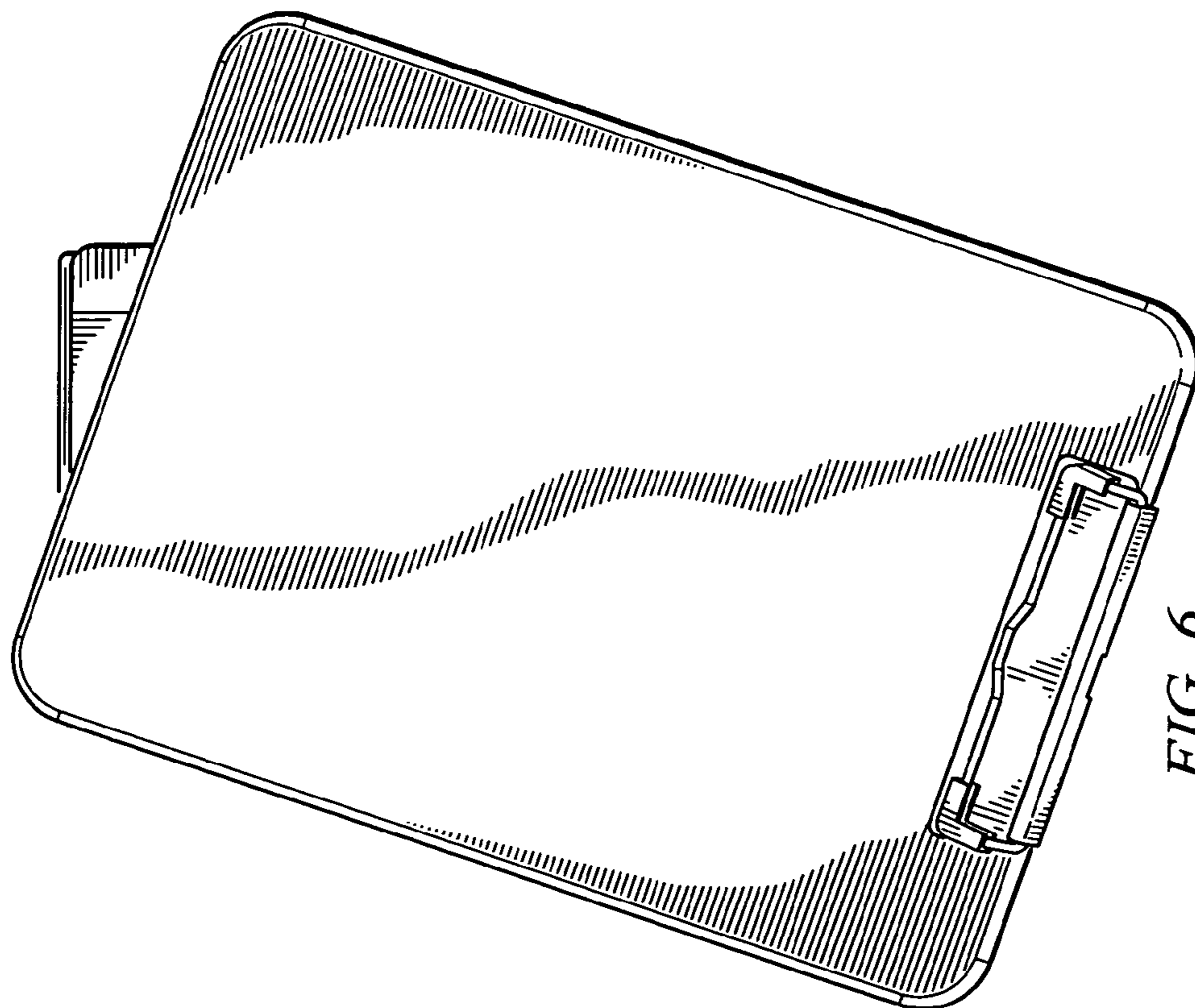


FIG. 6

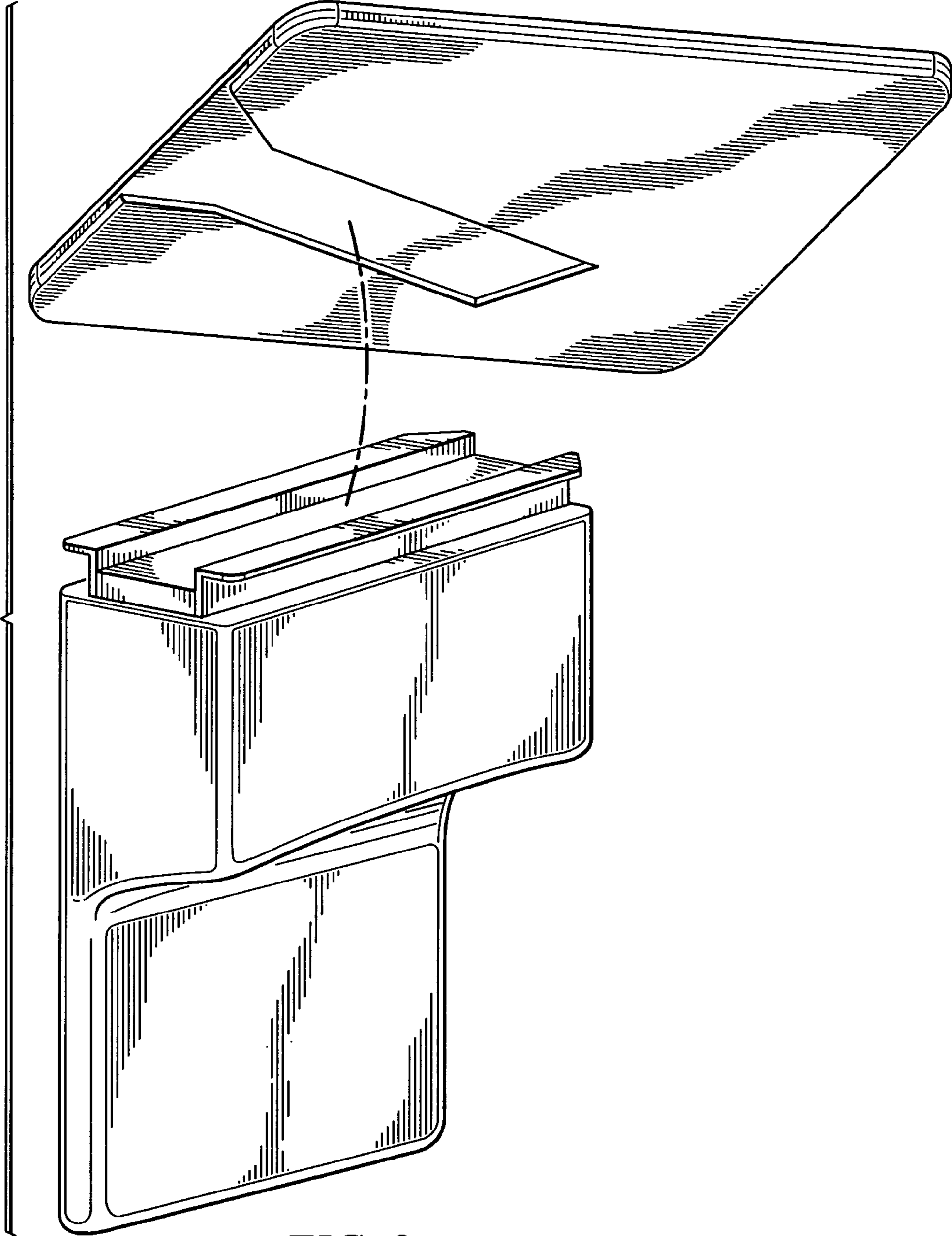


FIG. 8