



US00D603180S

(12) **United States Design Patent**  
**Urdarevik**

(10) **Patent No.:** **US D603,180 S**  
(45) **Date of Patent:** **\*\* Nov. 3, 2009**

(54) **CONSTRUCTION EDUCATIONAL DISPLAY STAND**

D555,960 S \* 11/2007 Pena ..... D6/552  
D571,975 S \* 6/2008 Sauder et al. .... D99/2  
D582,188 S \* 12/2008 Martin ..... D6/552  
2002/0178979 A1 \* 12/2002 Tidemann ..... 108/186

(76) Inventor: **Slobodan Urdarevik**, 2750 Burnock Dr.,  
Portage, MI (US) 49024

\* cited by examiner

(\*\*) Term: **14 Years**

*Primary Examiner*—Elizabeth A Albert  
*Assistant Examiner*—Kelley A Donnelly

(21) Appl. No.: **29/297,284**

(22) Filed: **Nov. 8, 2007**

(57) **CLAIM**

(51) **LOC (9) Cl.** ..... **06-04**

I claim the ornamental design for a construction educational display stand, substantially as shown and described.

(52) **U.S. Cl.** ..... **D6/396**

(58) **Field of Classification Search** ..... D6/396,  
D6/405, 407, 449, 468, 457-462, 464, 467,  
D6/474, 476; 211/13.1, 49.1, 88.1, 134,  
211/187; 108/59, 92

**DESCRIPTION**

See application file for complete search history.

FIG. 1 is a front perspective view of the present invention.

FIG. 2 is a front view thereof.

FIG. 3 is a rear view thereof.

FIG. 4 is a left view thereof.

FIG. 5 is a right view thereof.

FIG. 6 is a top view thereof; and,

FIG. 7 is a bottom view thereof.

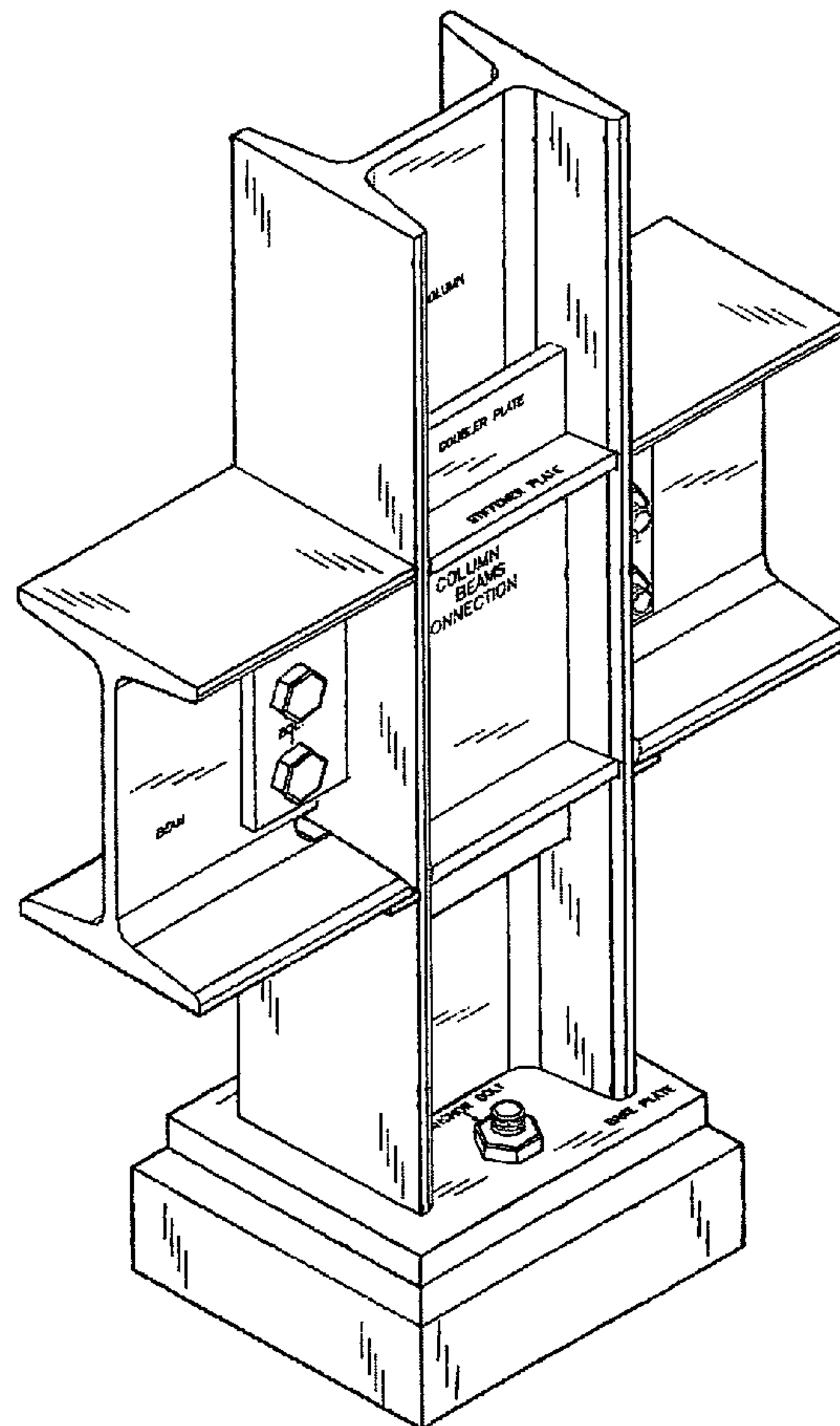
The broken lines are for environmental purposes only and form no part of the claimed design.

(56) **References Cited**

**U.S. PATENT DOCUMENTS**

5,322,172 A \* 6/1994 Maglione ..... 211/132.1  
D363,840 S \* 11/1995 Weshler ..... D6/476  
D467,094 S \* 12/2002 Bodzioch ..... D6/410  
D517,839 S \* 3/2006 Gawlowski et al. .... D6/478  
D537,655 S \* 3/2007 Hessel ..... D6/468  
D554,901 S \* 11/2007 Bretz et al. .... D6/468

**1 Claim, 5 Drawing Sheets**



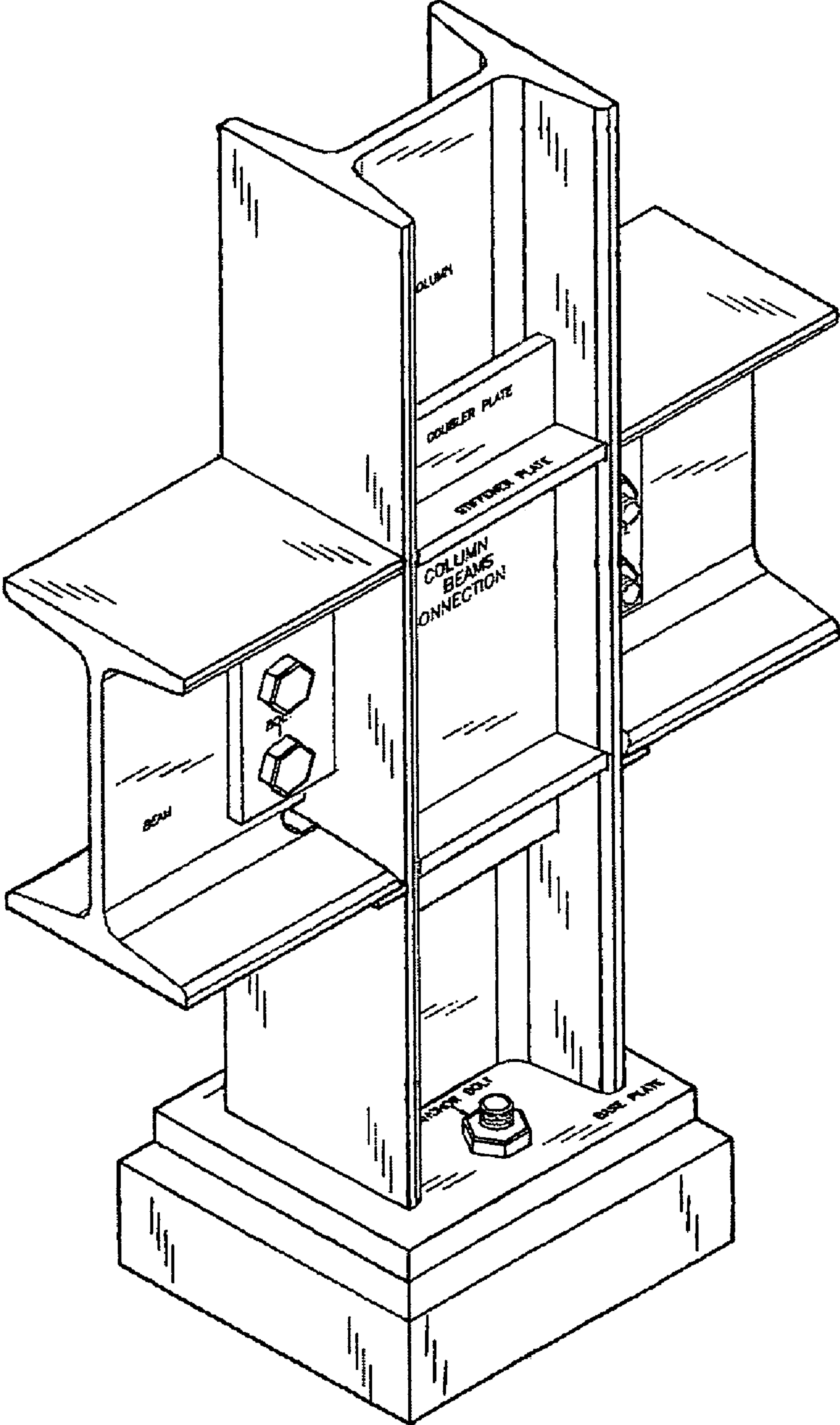


FIG. 1

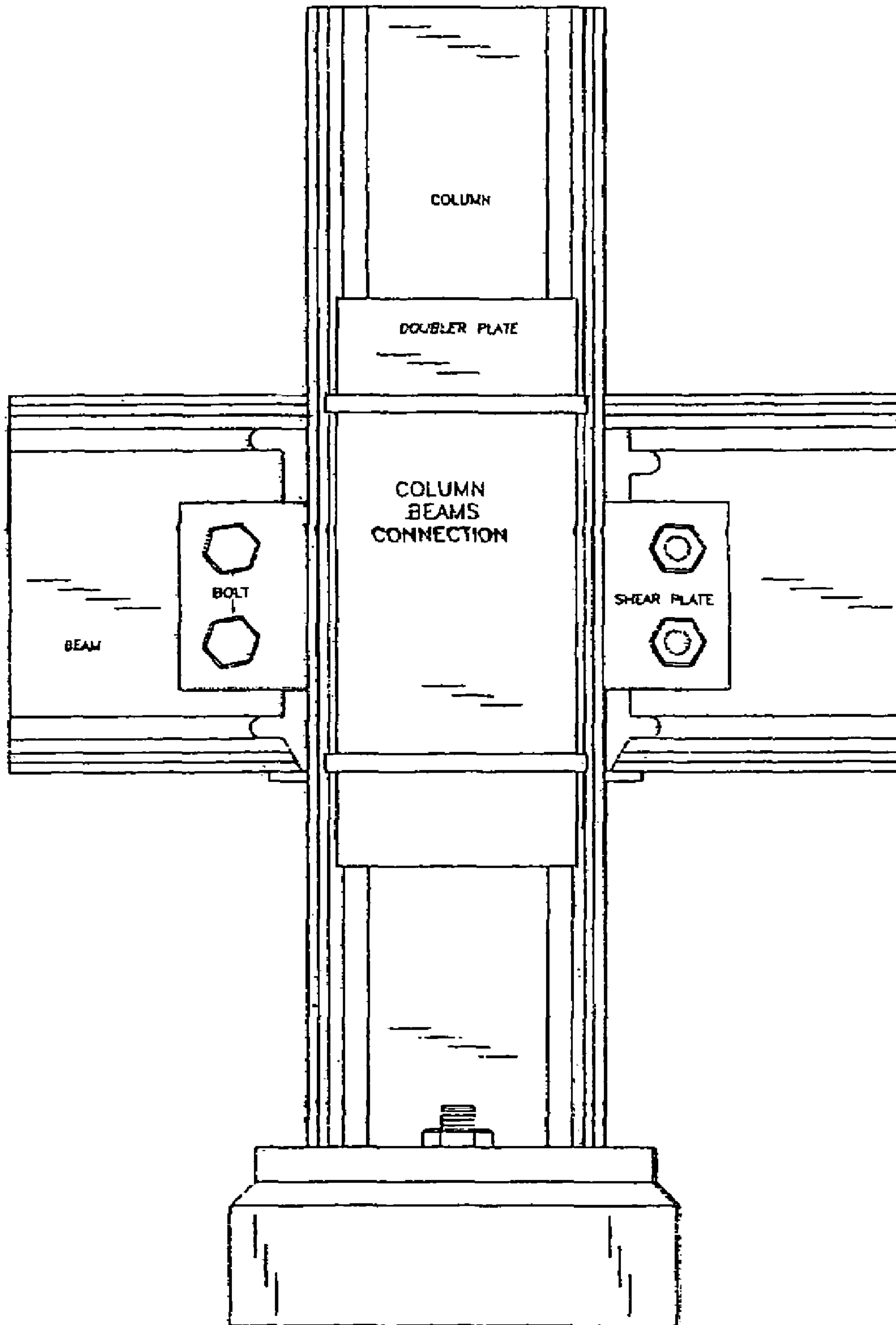


FIG.2

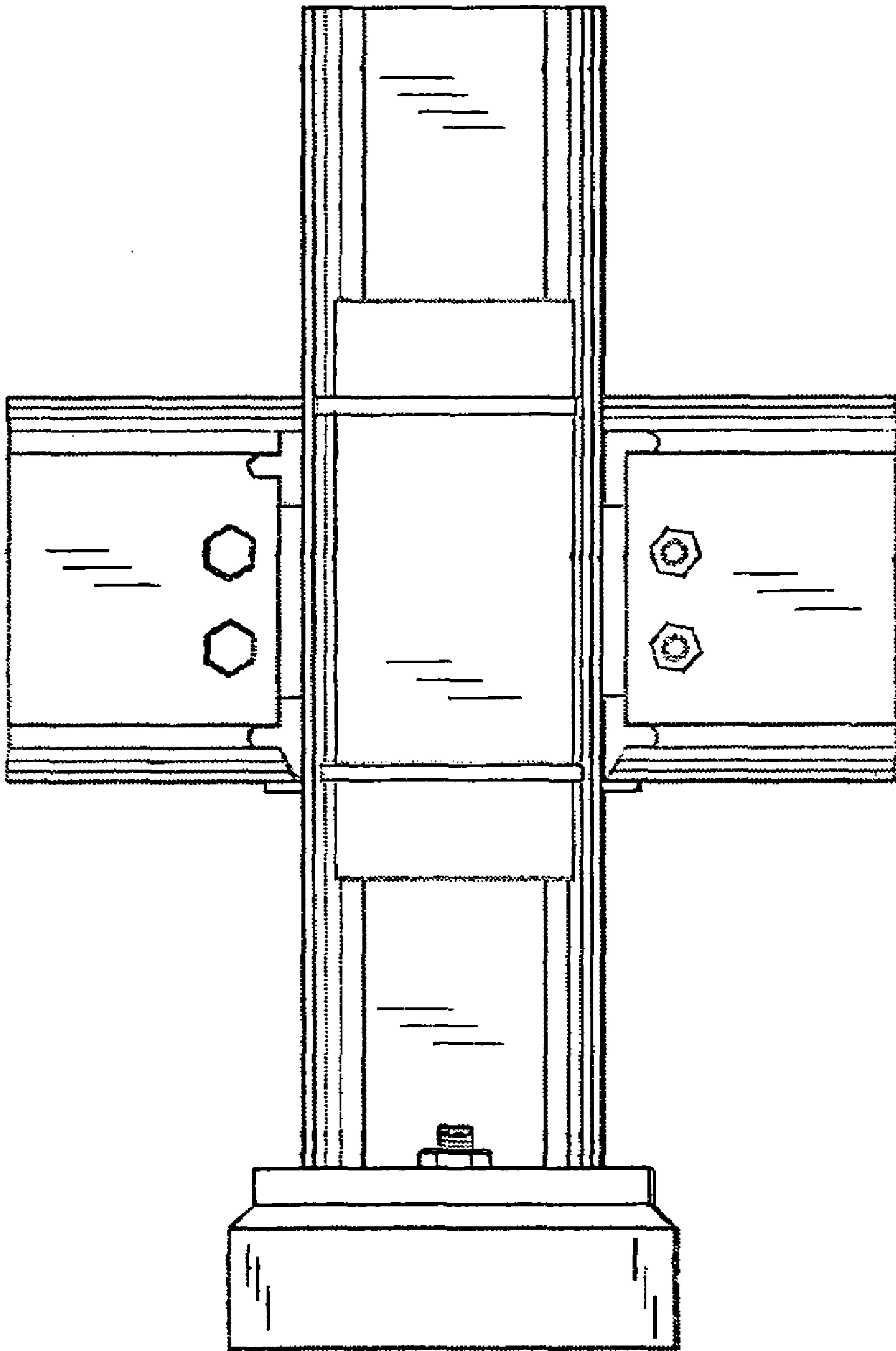


FIG.3

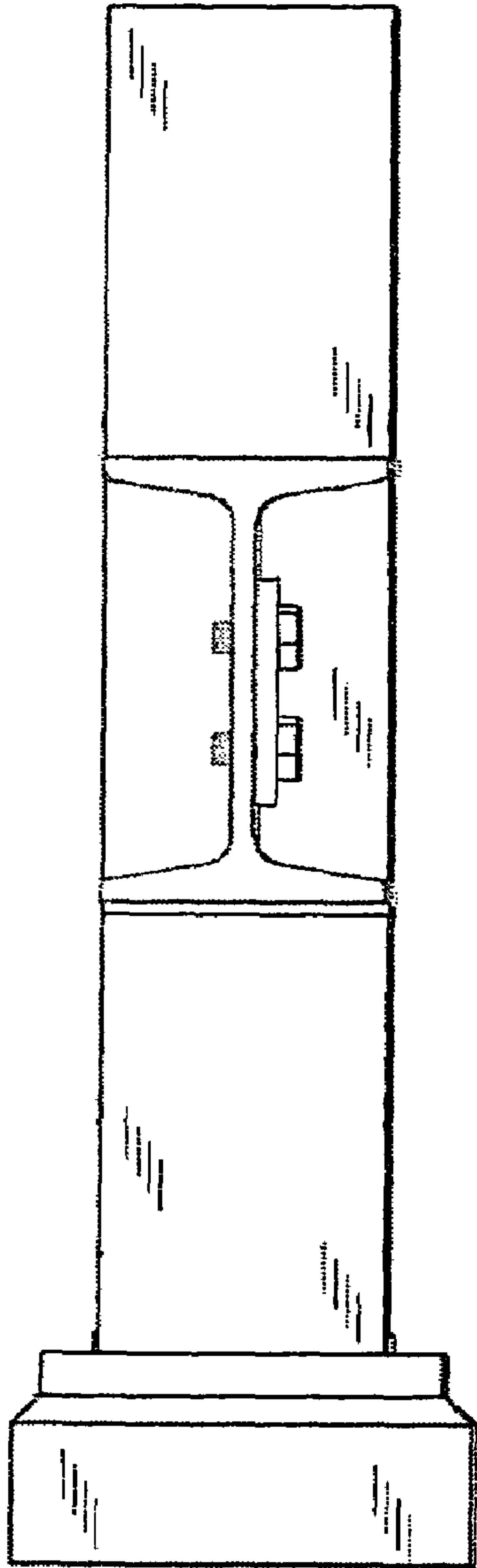


FIG. 4

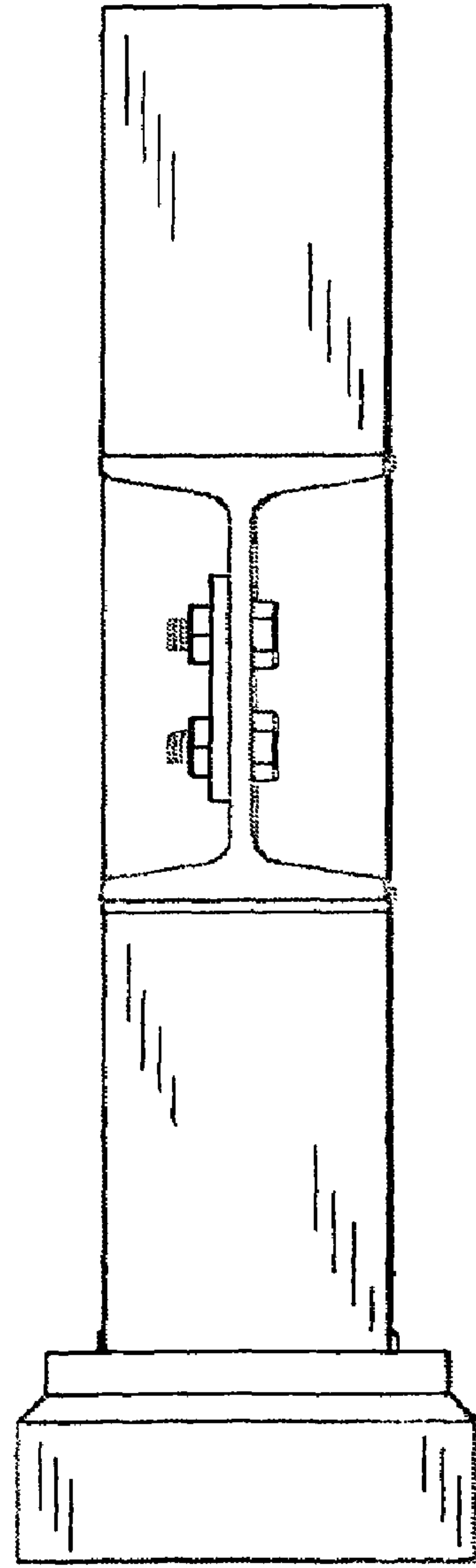


FIG. 5

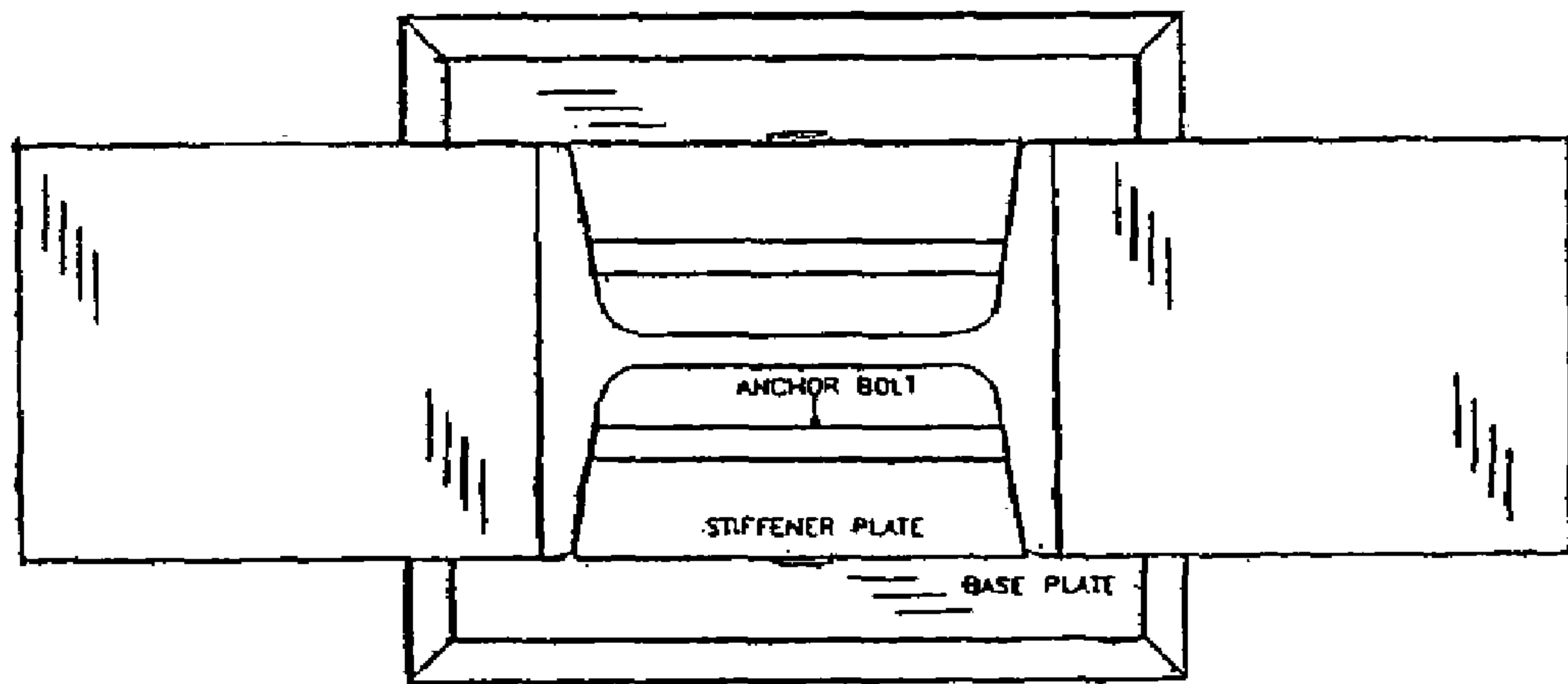


FIG. 6

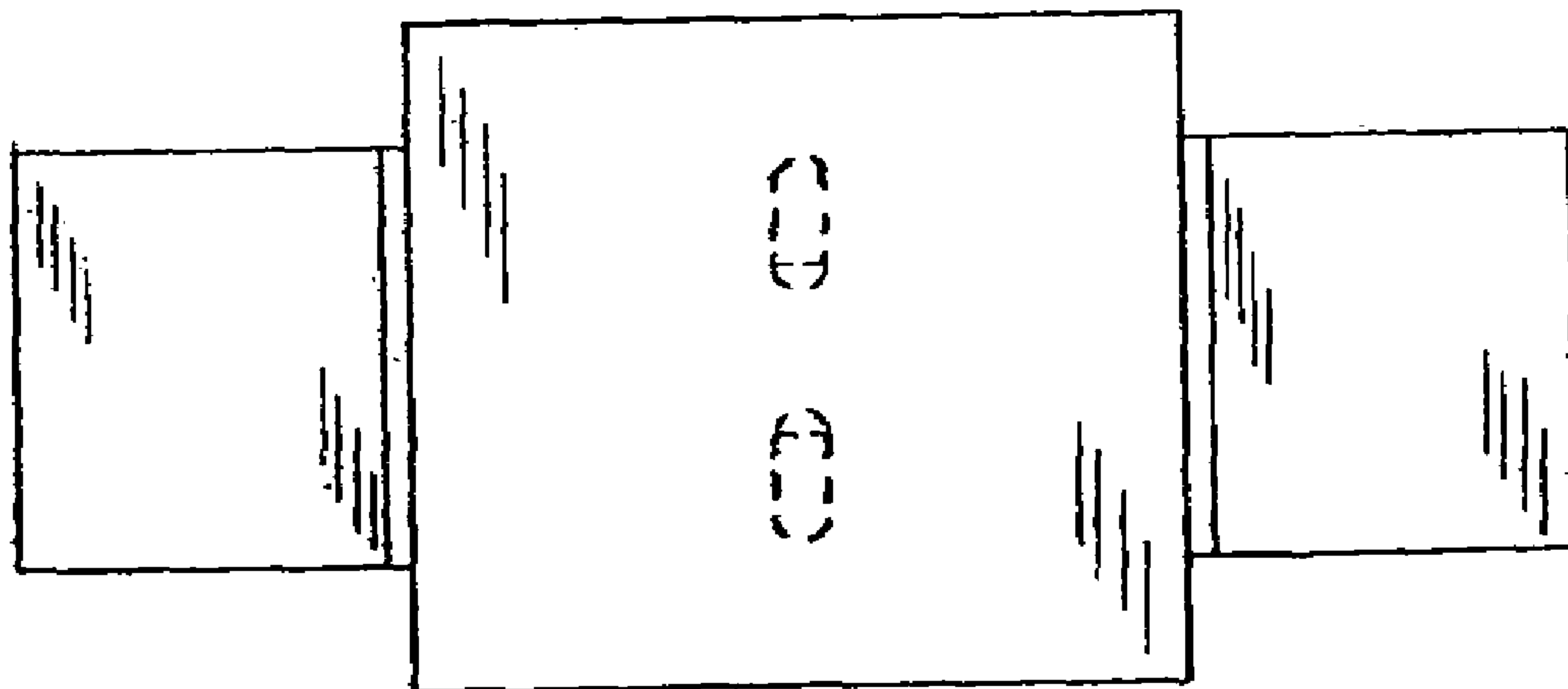


FIG. 7