

US00D603175S

(12) **United States Design Patent**
Jacobs et al.

(10) **Patent No.:** **US D603,175 S**

(45) **Date of Patent:** **** Nov. 3, 2009**

(54) **HIGH CHAIR**

2,731,072 A * 1/1956 Post 297/6
D366,967 S * 2/1996 Meeker et al. D6/339
D557,022 S * 12/2007 Desnos D6/333

(75) Inventors: **Imre Peter Jacobs**, Utrecht (NL);
Martijn Hans Van Gelderen,
Amsterdam (NL); **Eric Biermann**,
Amsterdam (NL); **Fiona Amy Van**
Petegem, Amsterdam (NL)

* cited by examiner

Primary Examiner—Sandra Snapp
(74) *Attorney, Agent, or Firm*—Harness, Dickey & Pierce

(73) Assignee: **Nuna International B.V.**, Amsterdam
(NL)

(57) **CLAIM**

The ornamental design for a high chair, as shown and described.

(**) Term: **14 Years**

(21) Appl. No.: **29/300,147**

(22) Filed: **Feb. 27, 2008**

(30) **Foreign Application Priority Data**

Aug. 28, 2007 (EM) 000779830

(51) **LOC (9) Cl.** **06-01**

(52) **U.S. Cl.** **D6/339**

(58) **Field of Classification Search** D6/333,
D6/335, 339, 491, 500–502; D12/129; D21/412,
D21/419; 280/30, 31; 5/94, 98.1, 99.1, 101,
5/102, 105, 655; 297/183.1, 183.2, 183.3,
297/183.4, 184.13, 184.15, 184.17, 250.1,
297/255, 256.1, 256.15, 256.16; 24/200,
24/211

See application file for complete search history.

(56) **References Cited**

U.S. PATENT DOCUMENTS

D152,383 S * 1/1949 Waaranan D6/339

DESCRIPTION

FIG. 1 is a perspective view of a high chair showing our new design with the tray installed according to the invention;

FIG. 2 is a right side view of the high chair according to the embodiment shown in FIG. 1 with the tray installed;

FIG. 3 is a left side view of the high chair according to the embodiment shown in FIG. 1 with the tray installed;

FIG. 4 is a perspective view of a high chair with the tray removed;

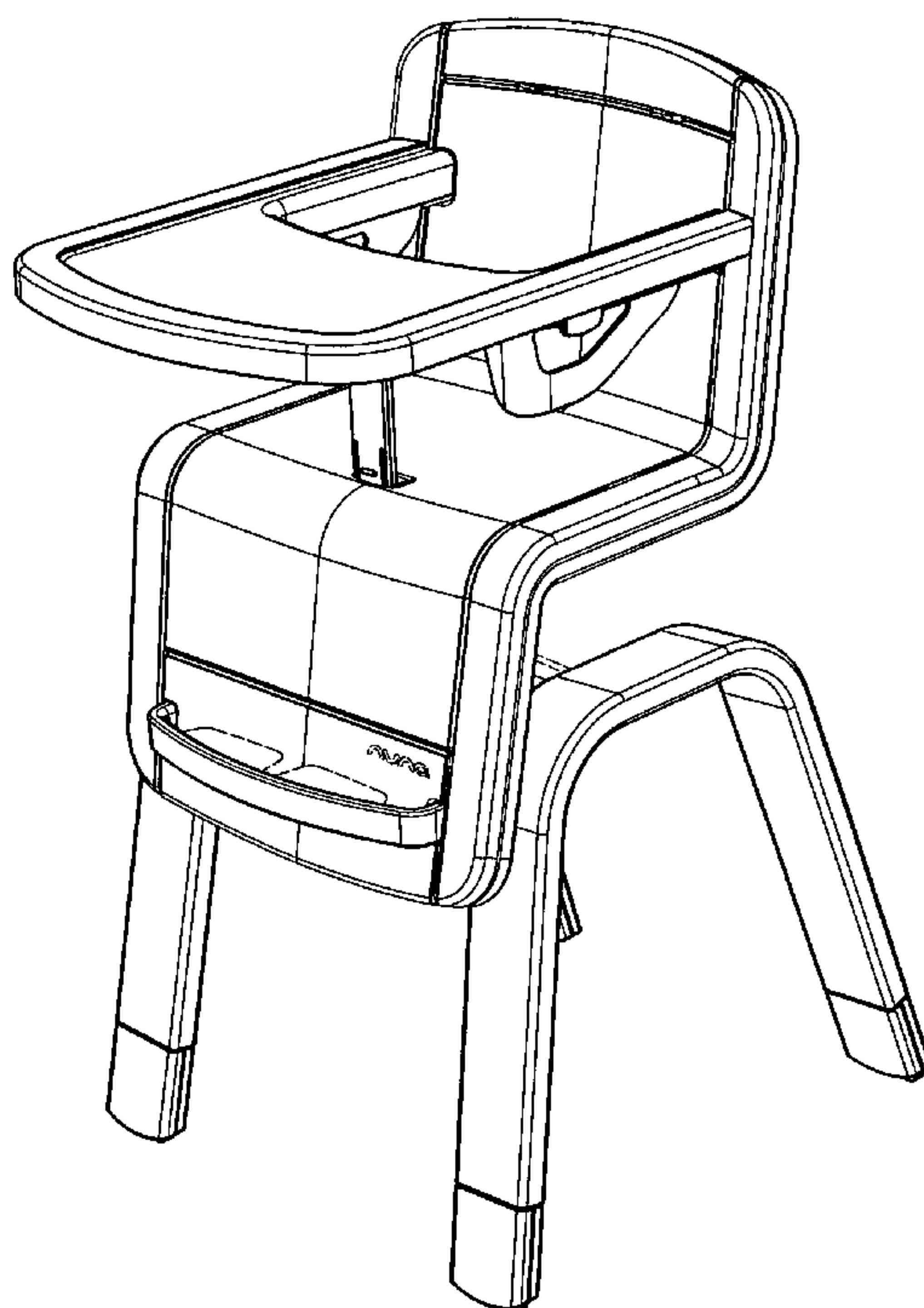
FIG. 5 is a left side view of the high chair according to the embodiment shown in FIG. 4 with the tray removed;

FIG. 6 is a right side view of the high chair according to the embodiment shown in FIG. 4 with the tray removed; and,

FIG. 7 is a rear view of the high chair according to the first and second embodiments shown in the FIGS.

The broken lines in the drawings are for illustrative purposes only and form no part of the claimed design.

1 Claim, 7 Drawing Sheets



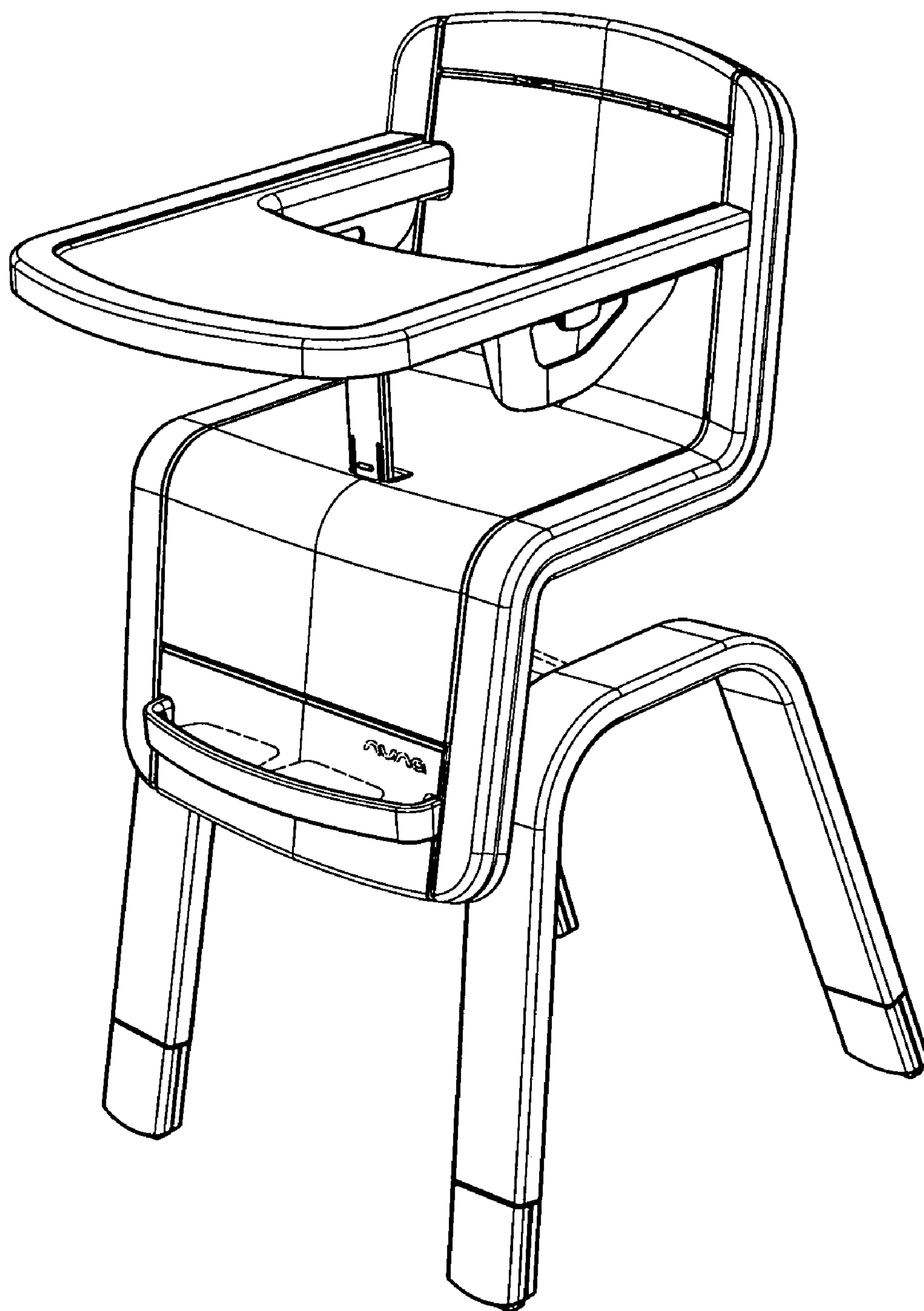


FIG. 1

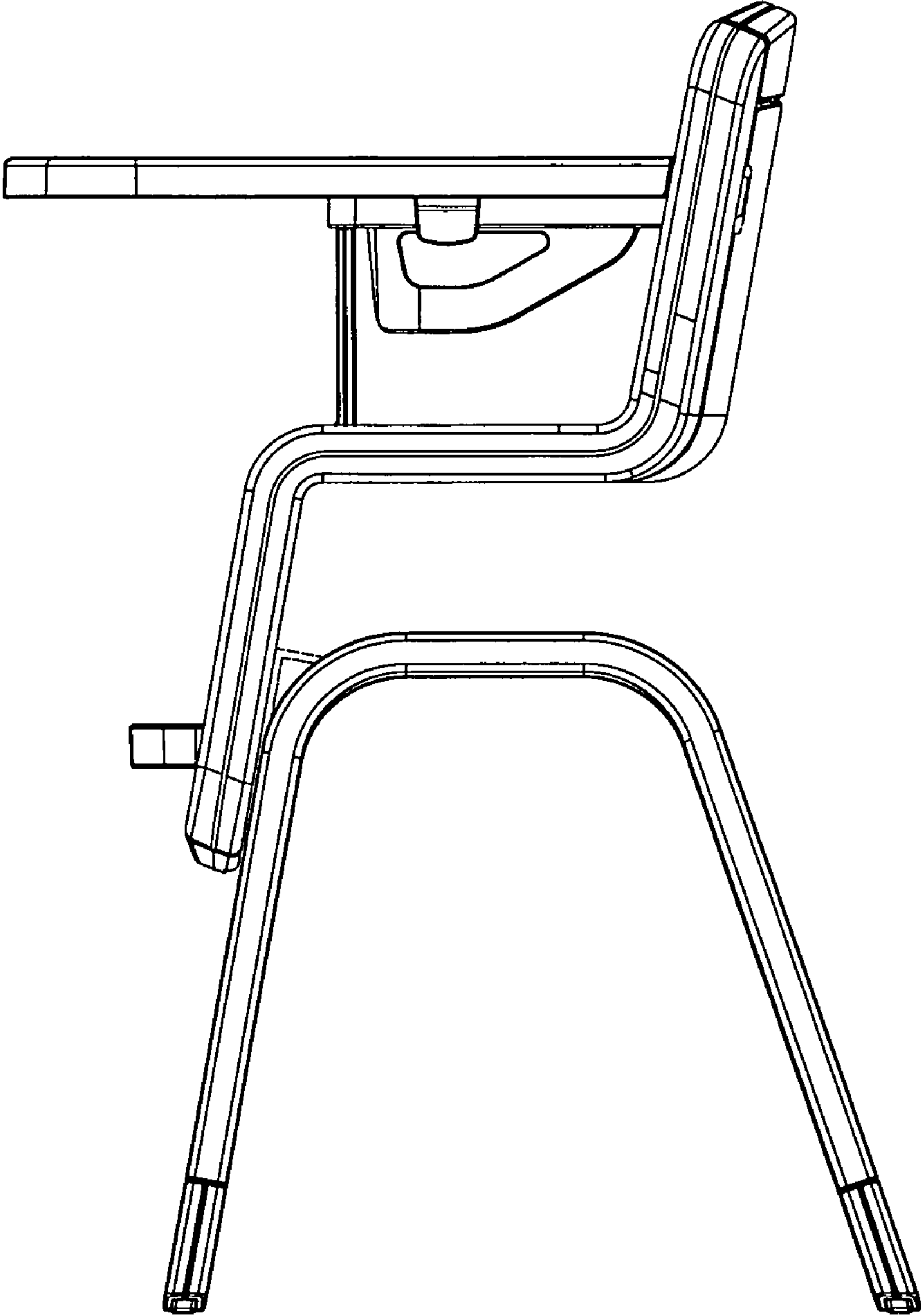


FIG. 2

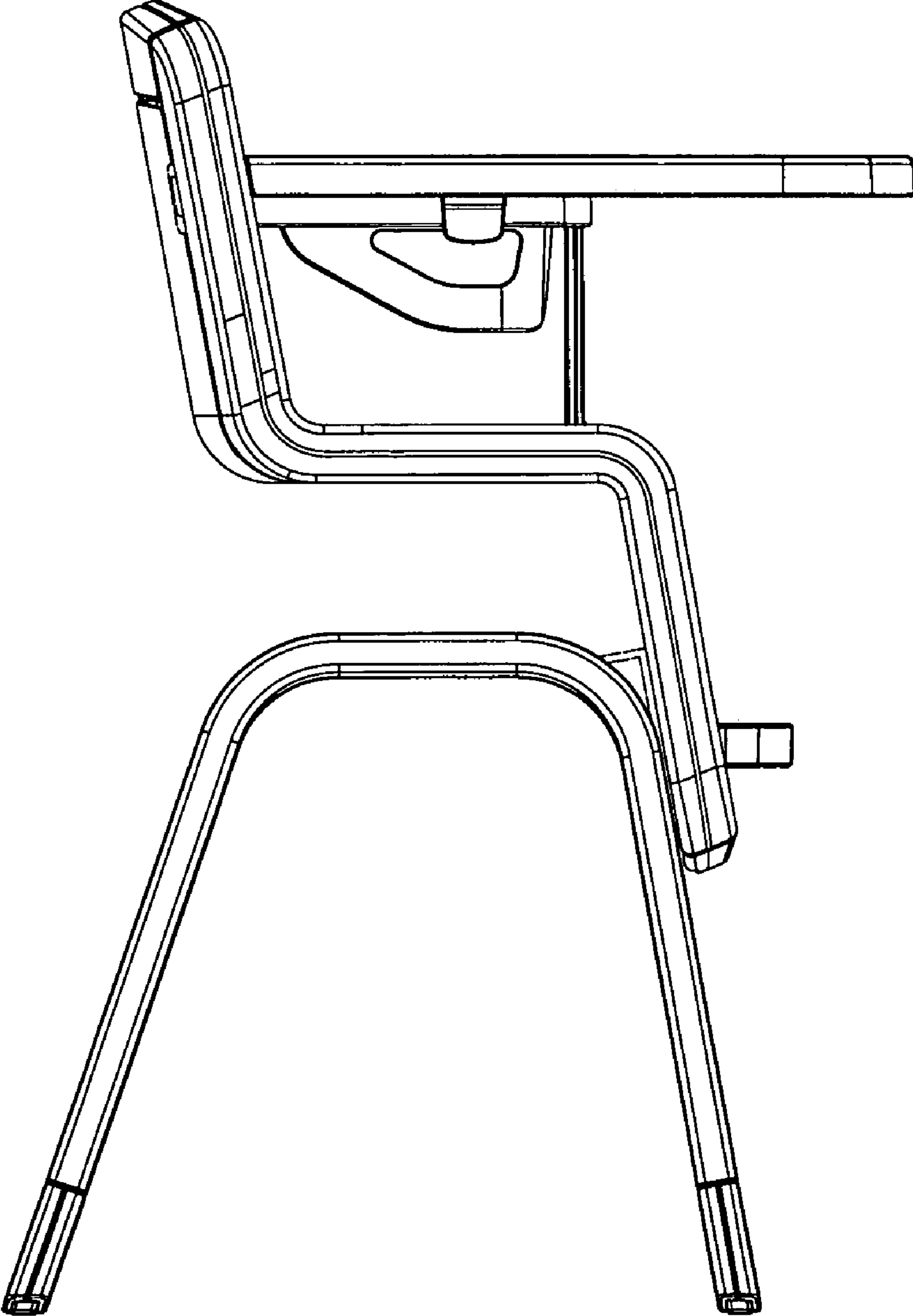


FIG. 3

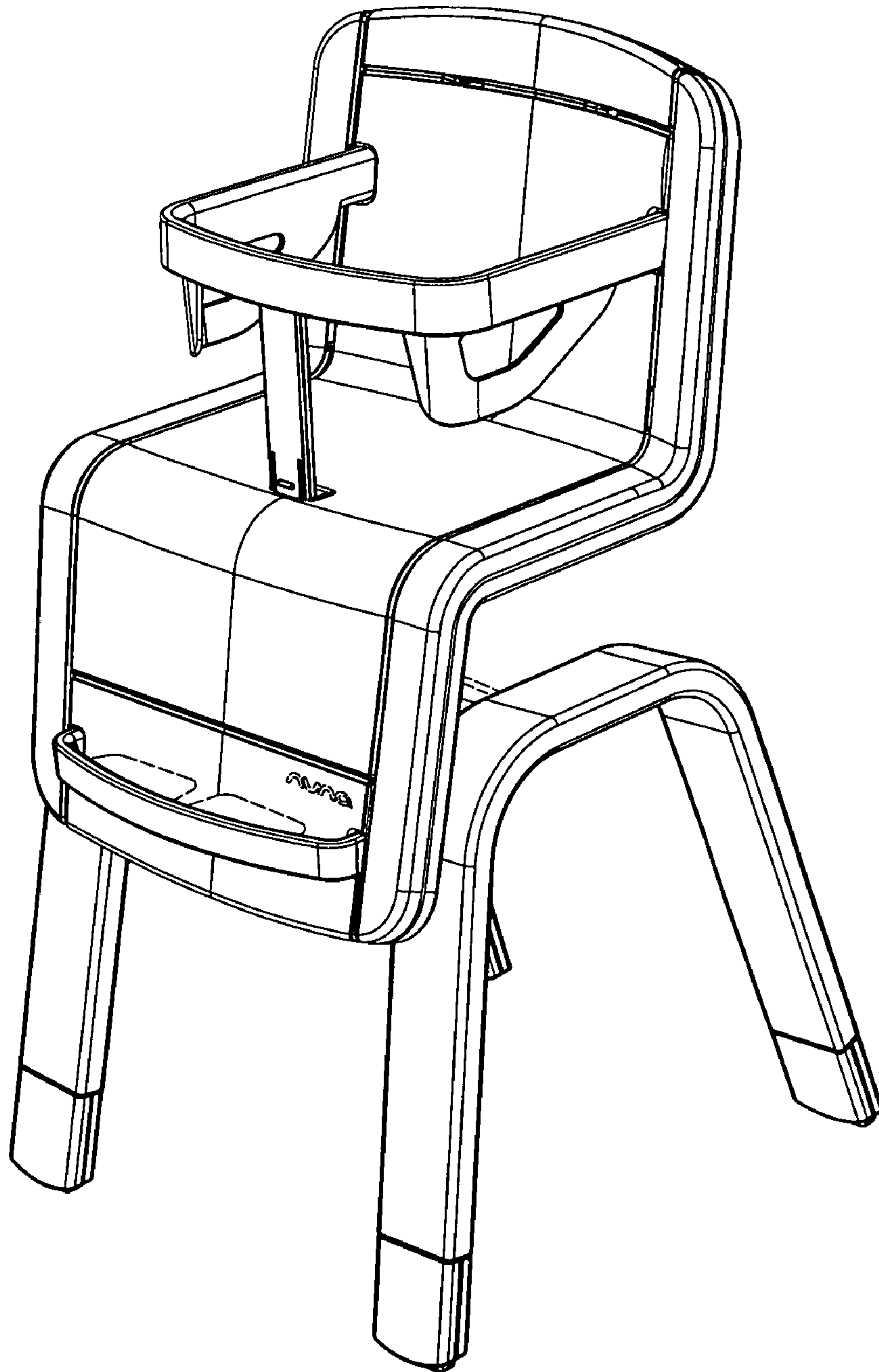


FIG. 4

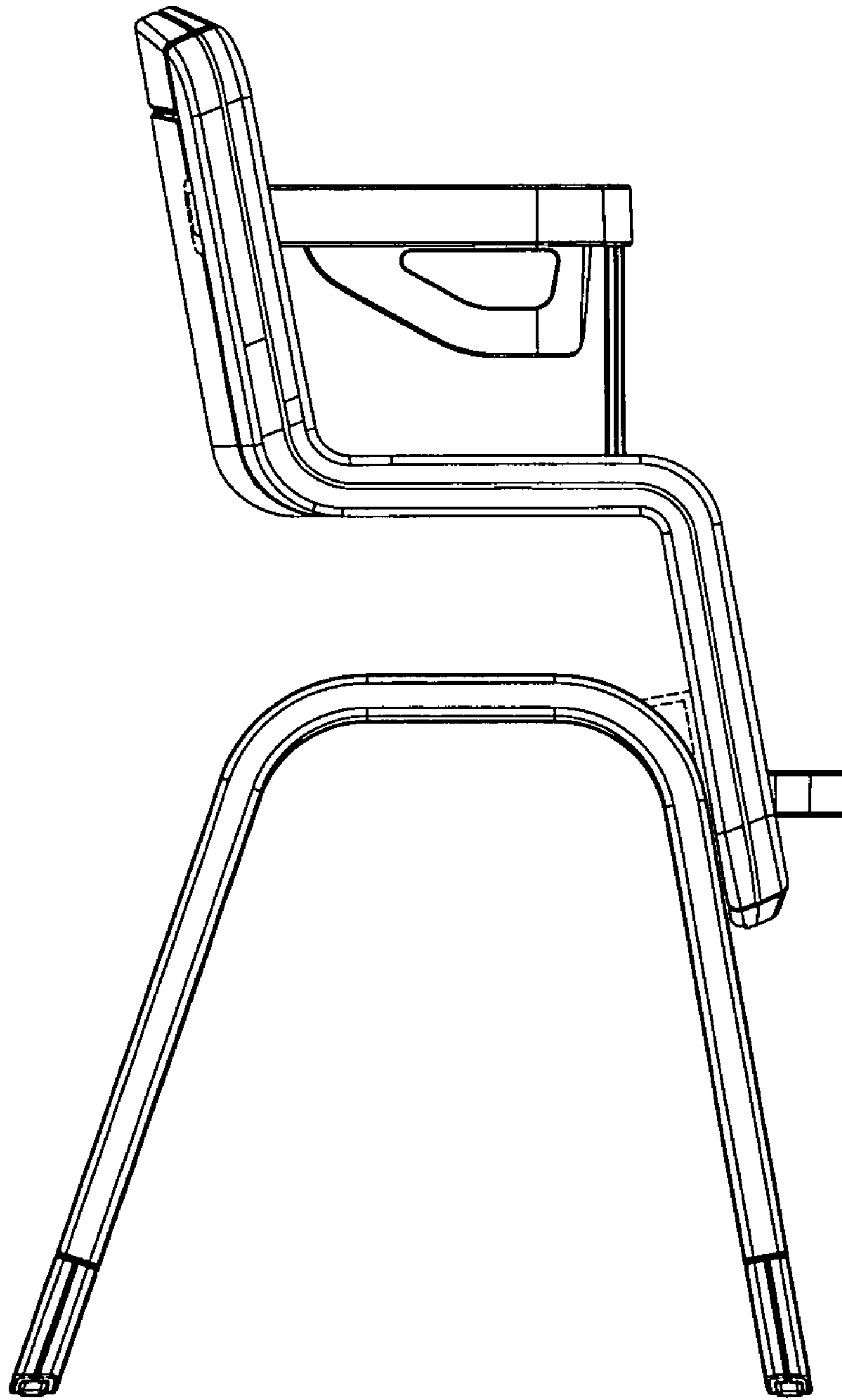


FIG. 5

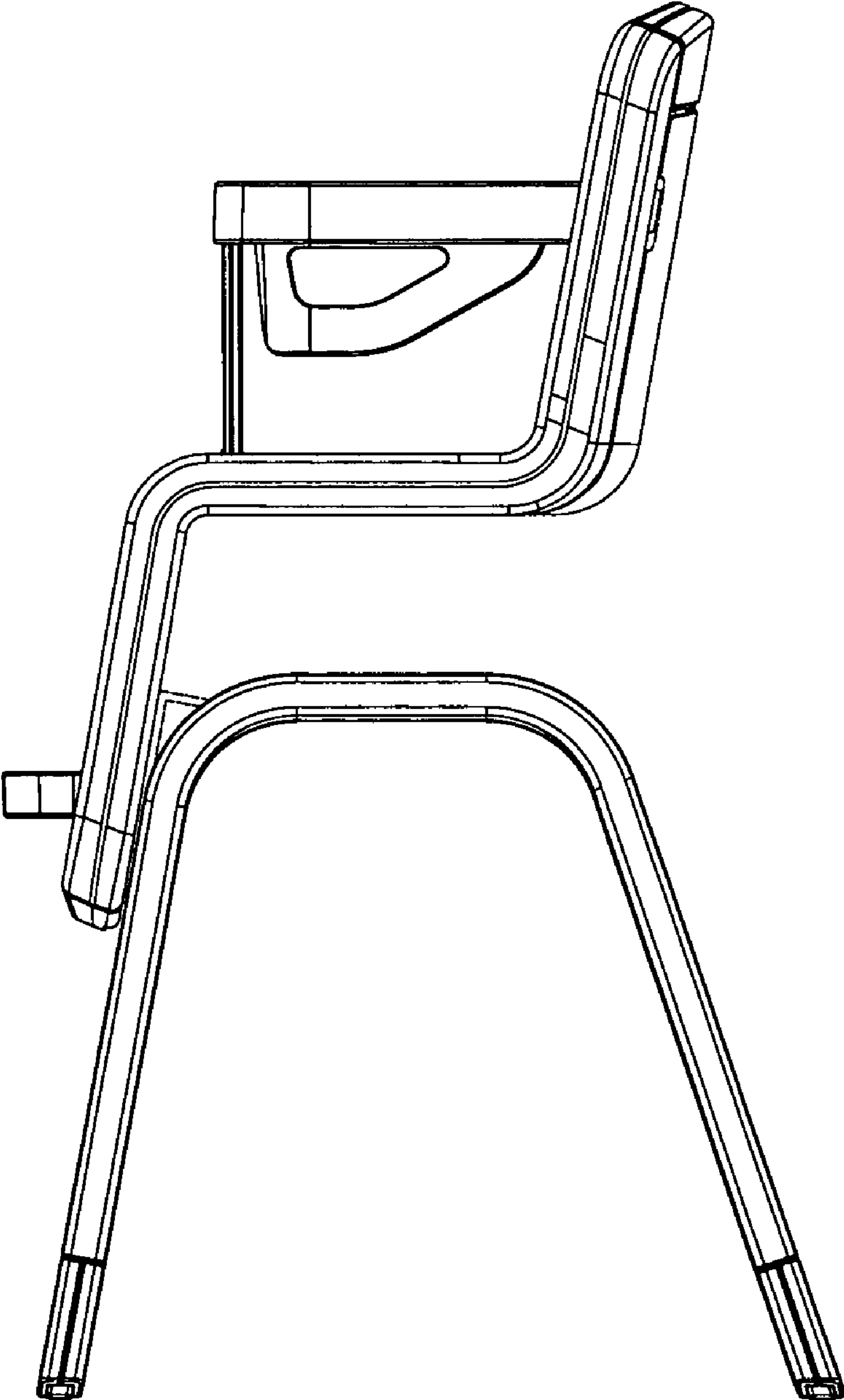


FIG. 6

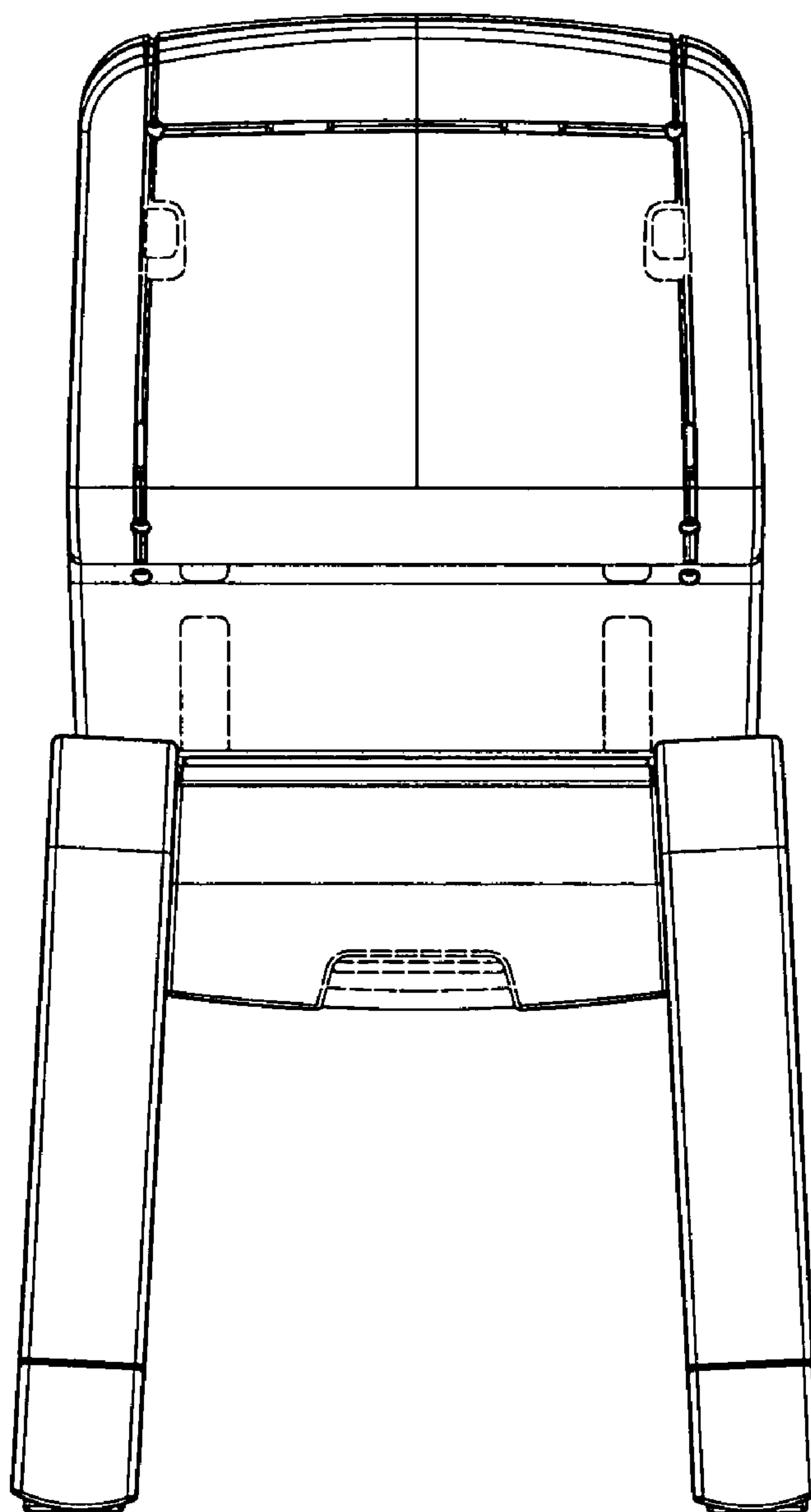


FIG. 7