



US00D603171S

(12) **United States Design Patent**
Chang

(10) **Patent No.:** **US D603,171 S**
(45) **Date of Patent:** **** Nov. 3, 2009**

(54) **BOOKSTAND**

(76) Inventor: **Chun-Yuan Chang**, 58, Ma Yuan West St., Taichung (TW)

(**) Term: **14 Years**

(21) Appl. No.: **29/313,608**

(22) Filed: **Jan. 27, 2009**

(51) **LOC (9) Cl.** **06-07**

(52) **U.S. Cl.** **D6/312; D6/419**

(58) **Field of Classification Search** D6/419,
D6/420, 300, 310-312; D19/91, 88; 248/441.1,
248/444.1, 445, 450, 460, 463, 453; D14/447;
40/777, 743, 800

See application file for complete search history.

(56) **References Cited**

U.S. PATENT DOCUMENTS

D77,224 S *	12/1928	Dahlgren	D6/310
2,374,409 A *	4/1945	Brennan	248/453
D164,483 S *	9/1951	Flannery	D19/91
D221,191 S *	7/1971	Nutt	D19/91
D257,305 S *	10/1980	Kaempkes	D6/311
5,492,299 A *	2/1996	Thermos et al.	248/453
D426,962 S *	6/2000	Au-Yeung	D6/310
D441,562 S *	5/2001	Tapscott et al.	D6/419
D513,008 S *	12/2005	Takizawa et al.	D14/447
D564,763 S *	3/2008	Yue	D6/313

D570,120 S *	6/2008	Goodman et al.	D6/310
D576,168 S *	9/2008	Ostroff	D14/447
D577,361 S *	9/2008	Beilstein et al.	D14/447

FOREIGN PATENT DOCUMENTS

WO WO 9608189 A1 * 3/1996

* cited by examiner

Primary Examiner—Caron Veynar

Assistant Examiner—Sydney R Buffalow

(74) *Attorney, Agent, or Firm*—Alan Kamrath; Kamrath & Associates PA

(57) **CLAIM**

The ornamental design for a bookstand, as shown and described.

DESCRIPTION

FIG. 1 is a perspective view of a bookstand showing my design;

FIG. 2 is a front elevational view thereof;

FIG. 3 is a rear elevational view thereof;

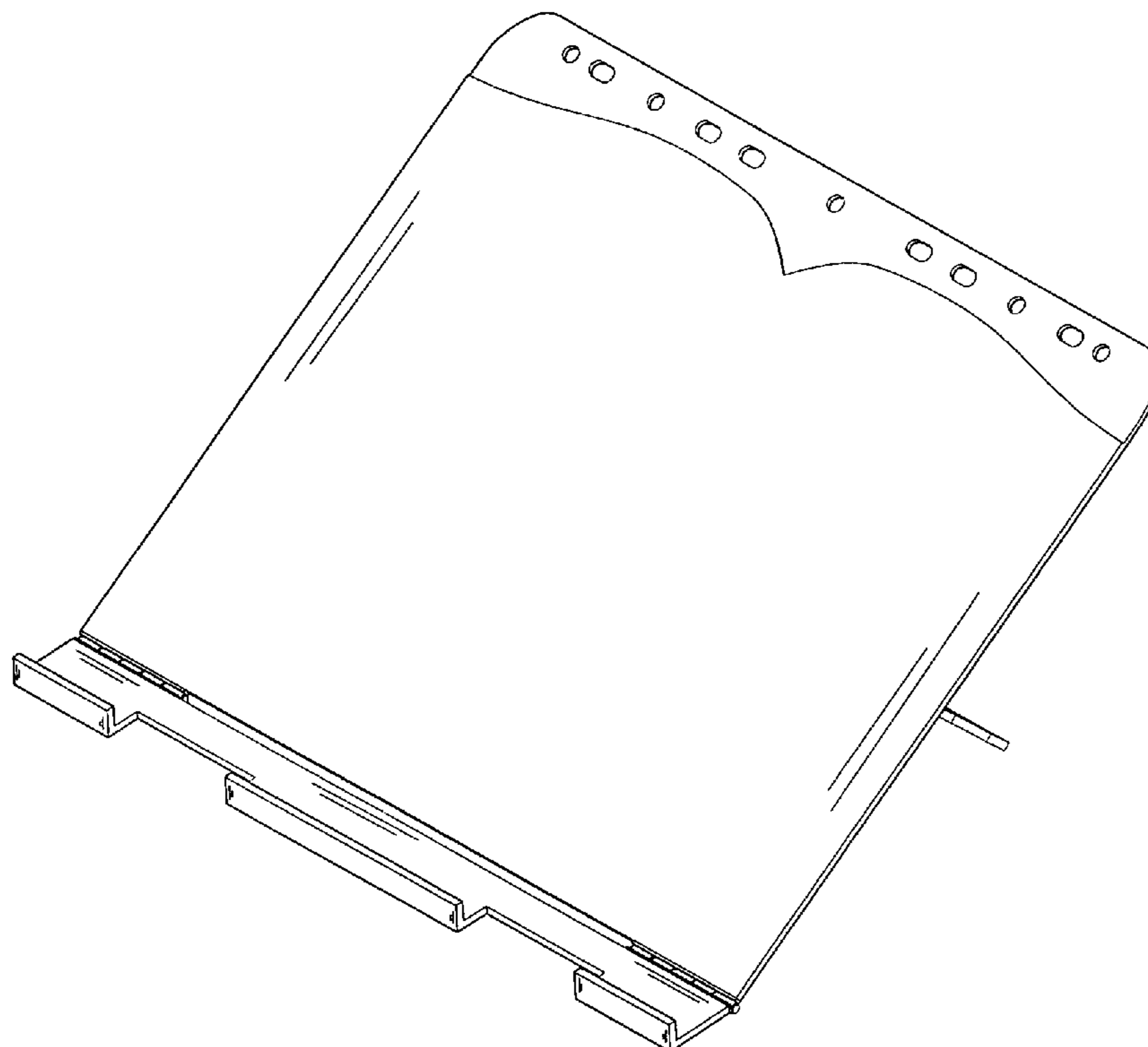
FIG. 4 is a left side elevational view thereof;

FIG. 5 is a right side elevational view thereof;

FIG. 6 is a top plan view thereof; and,

FIG. 7 is a bottom plan view thereof.

1 Claim, 7 Drawing Sheets



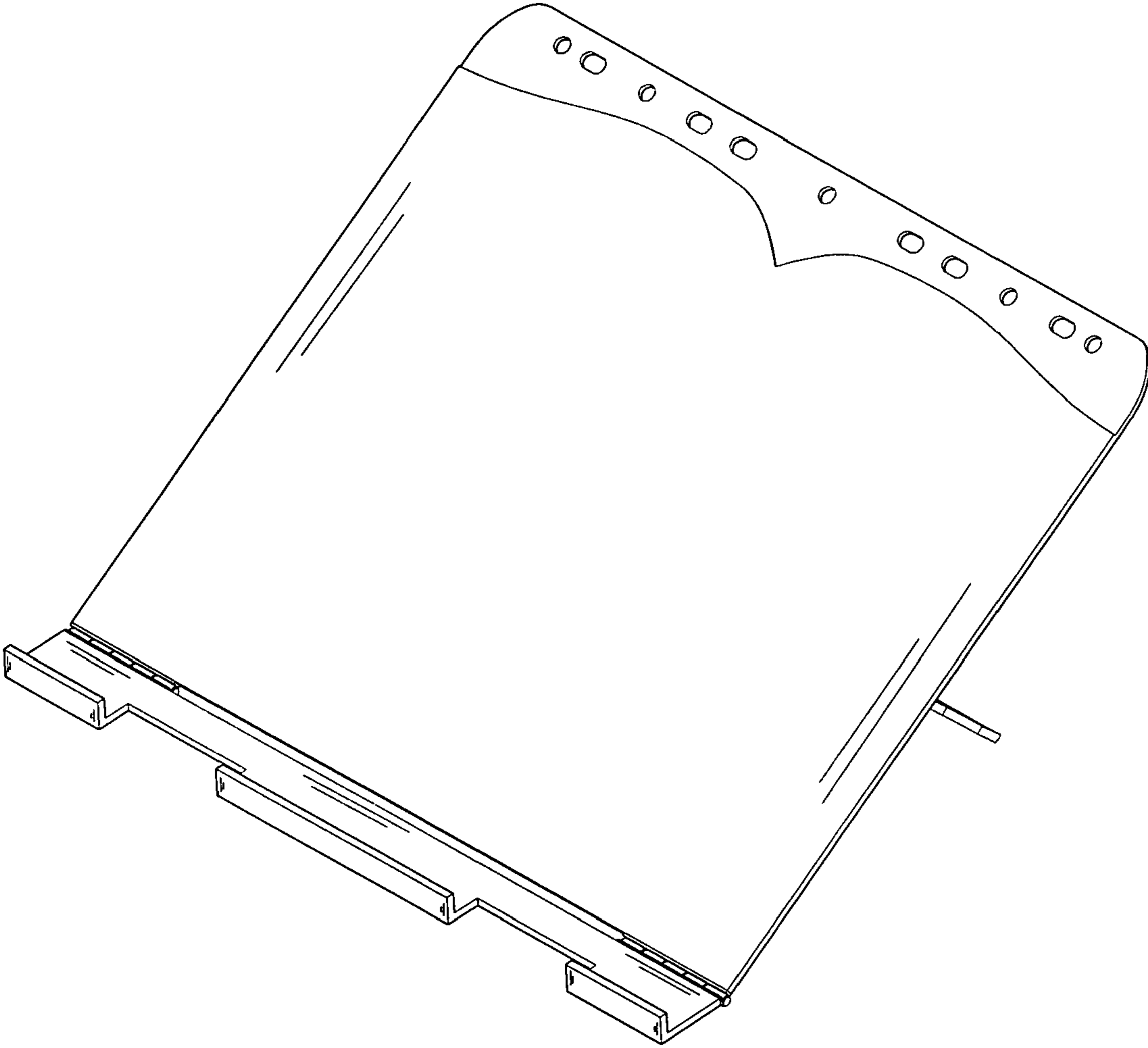


FIG. 1

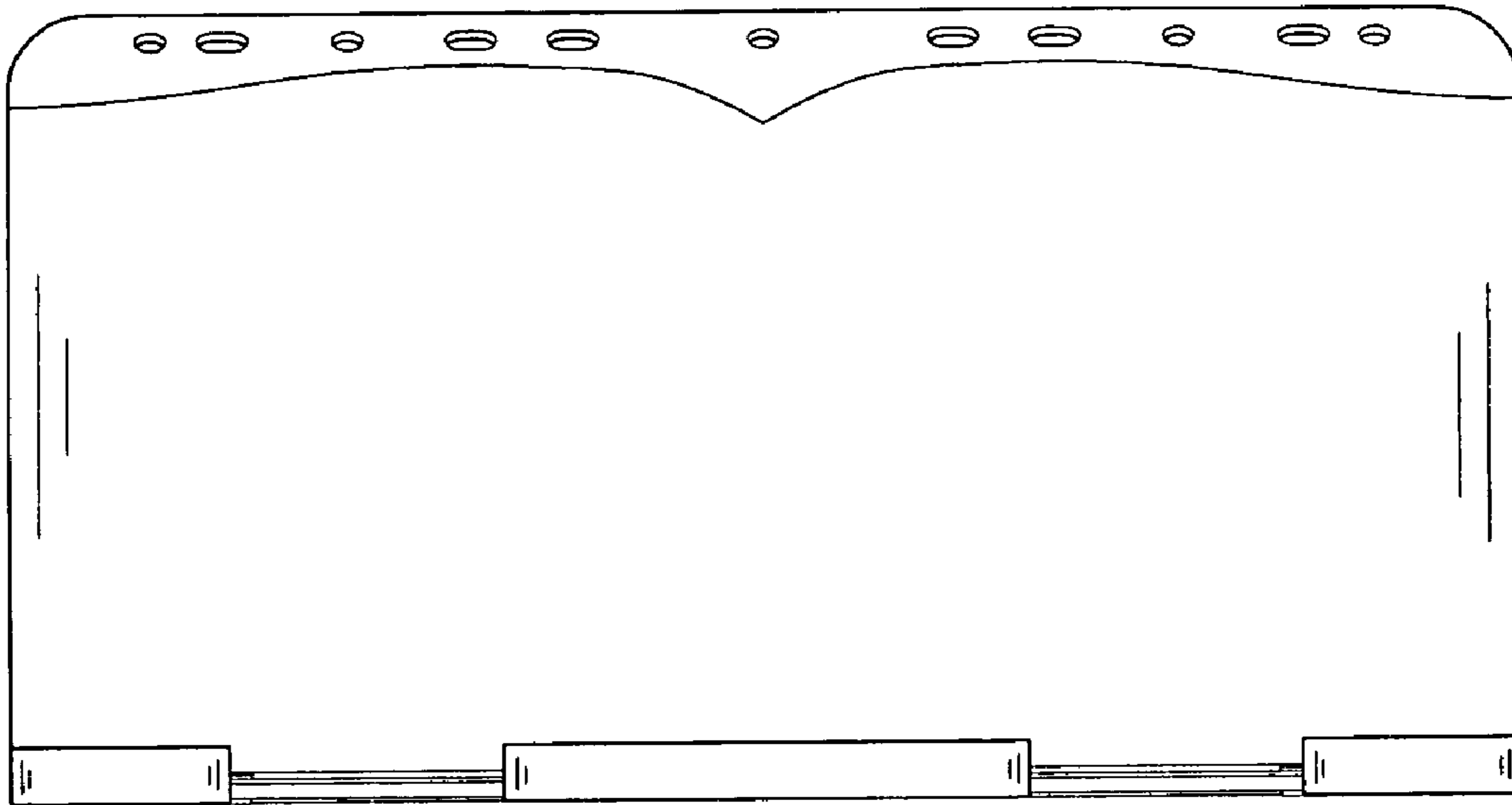


FIG. 2

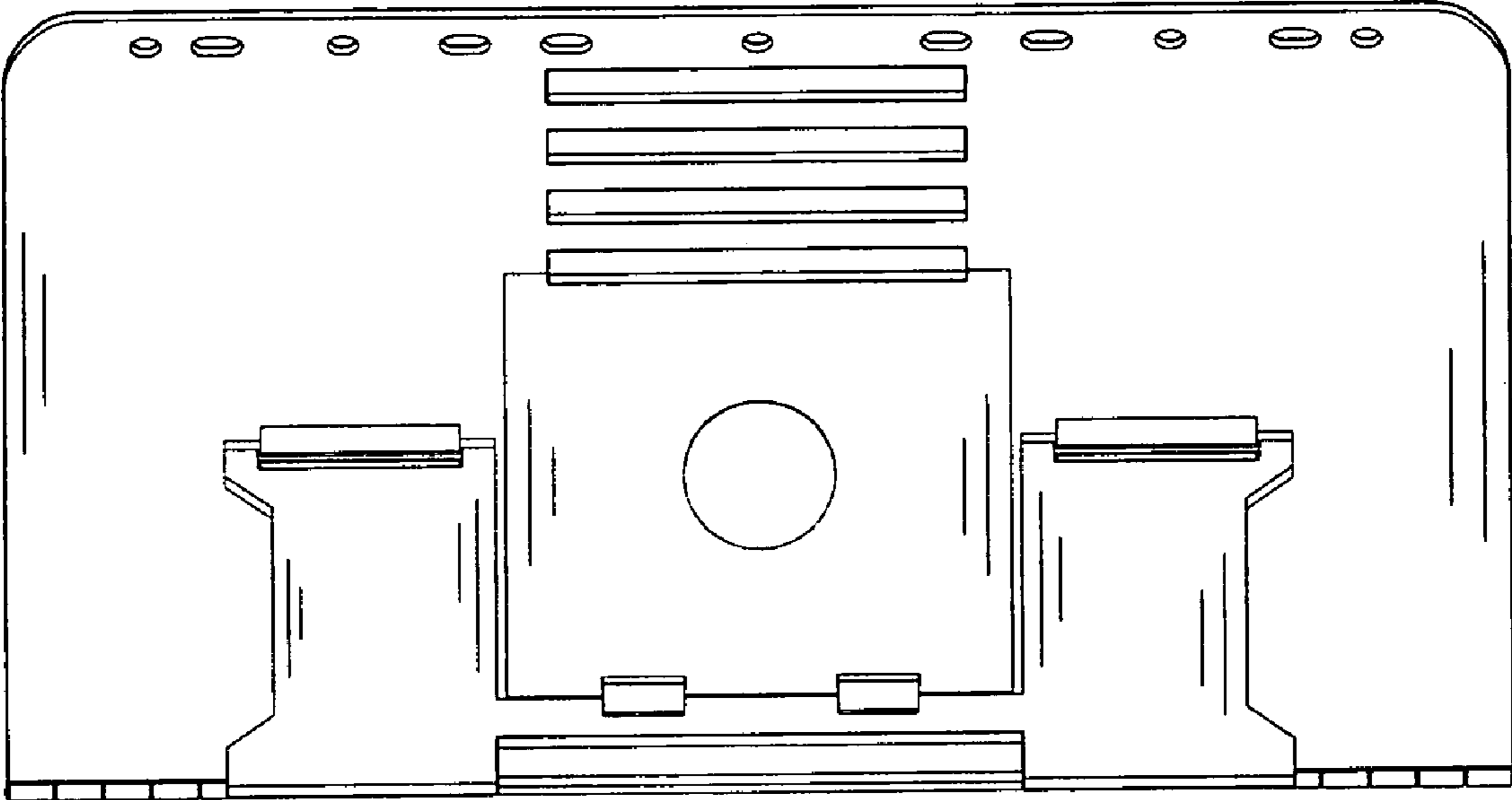


FIG. 3

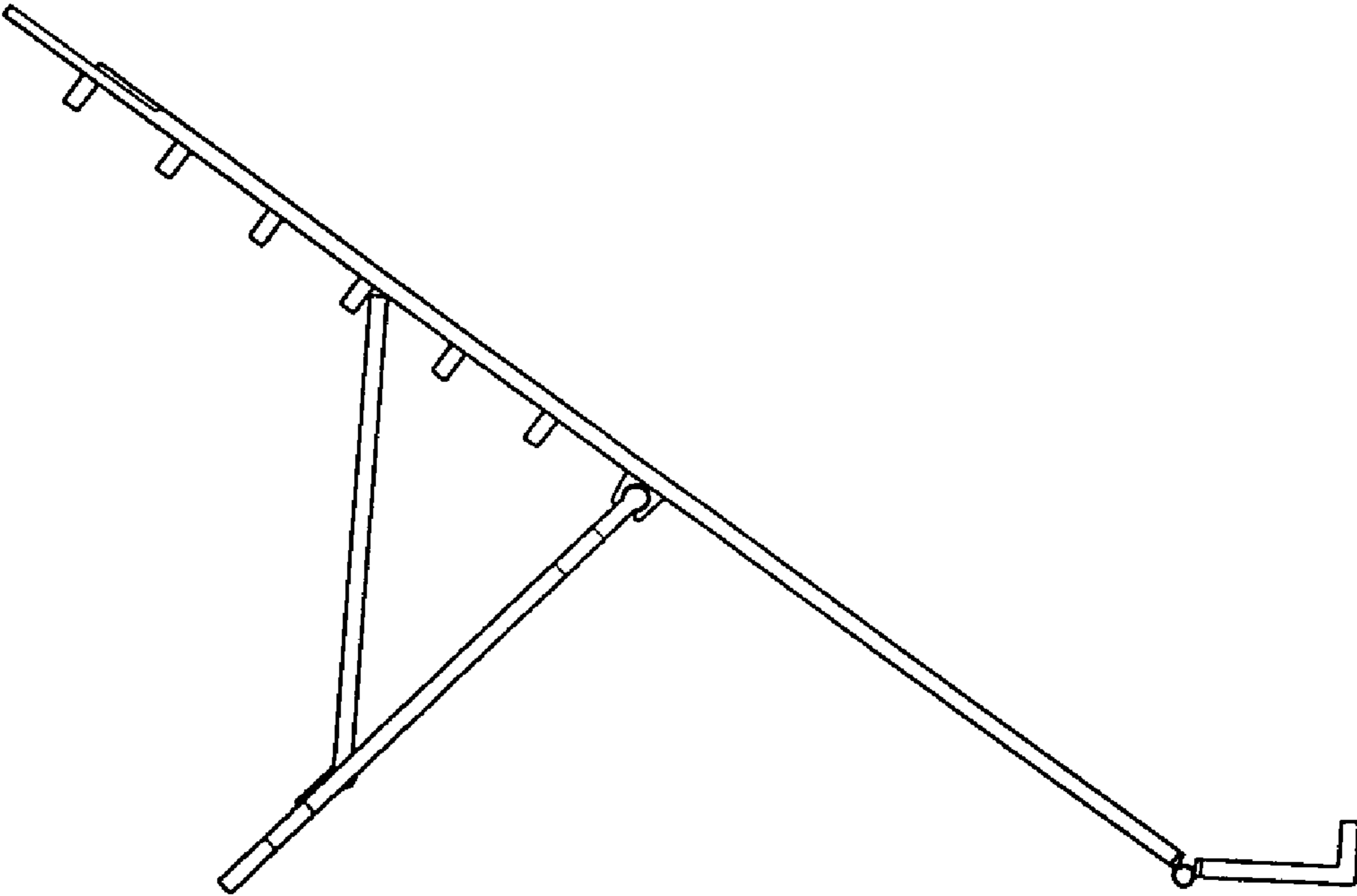


FIG. 4

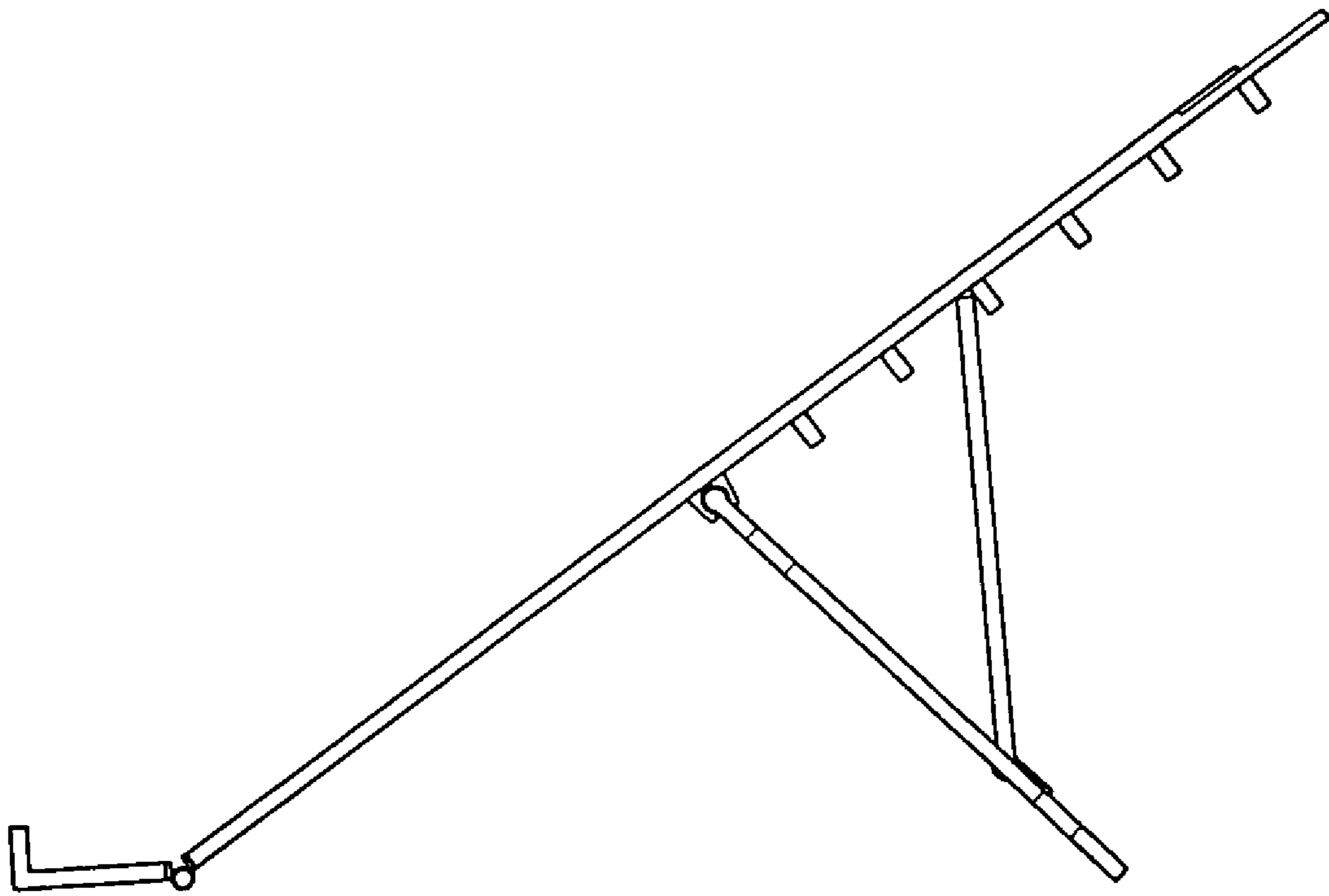


FIG. 5

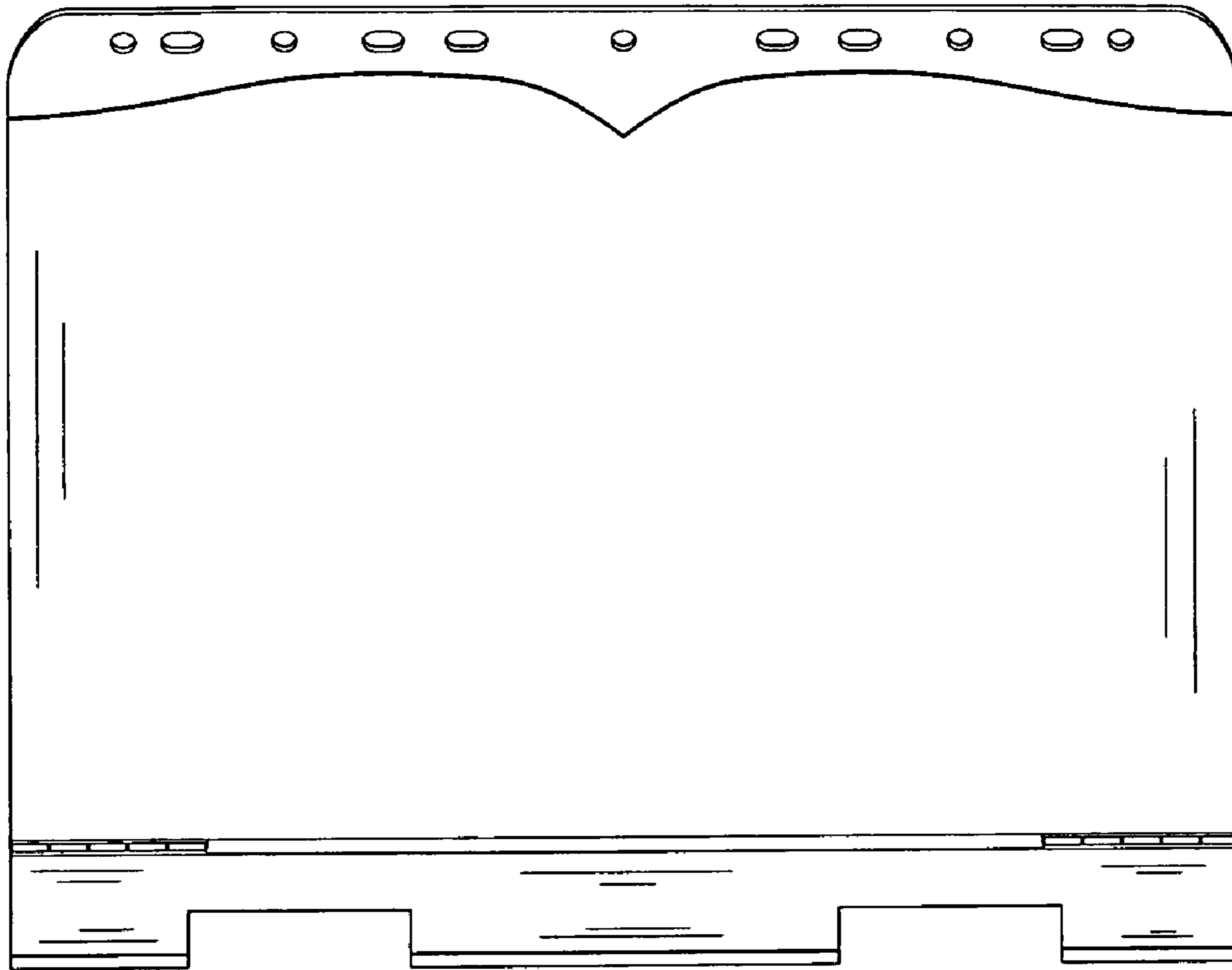


FIG. 6

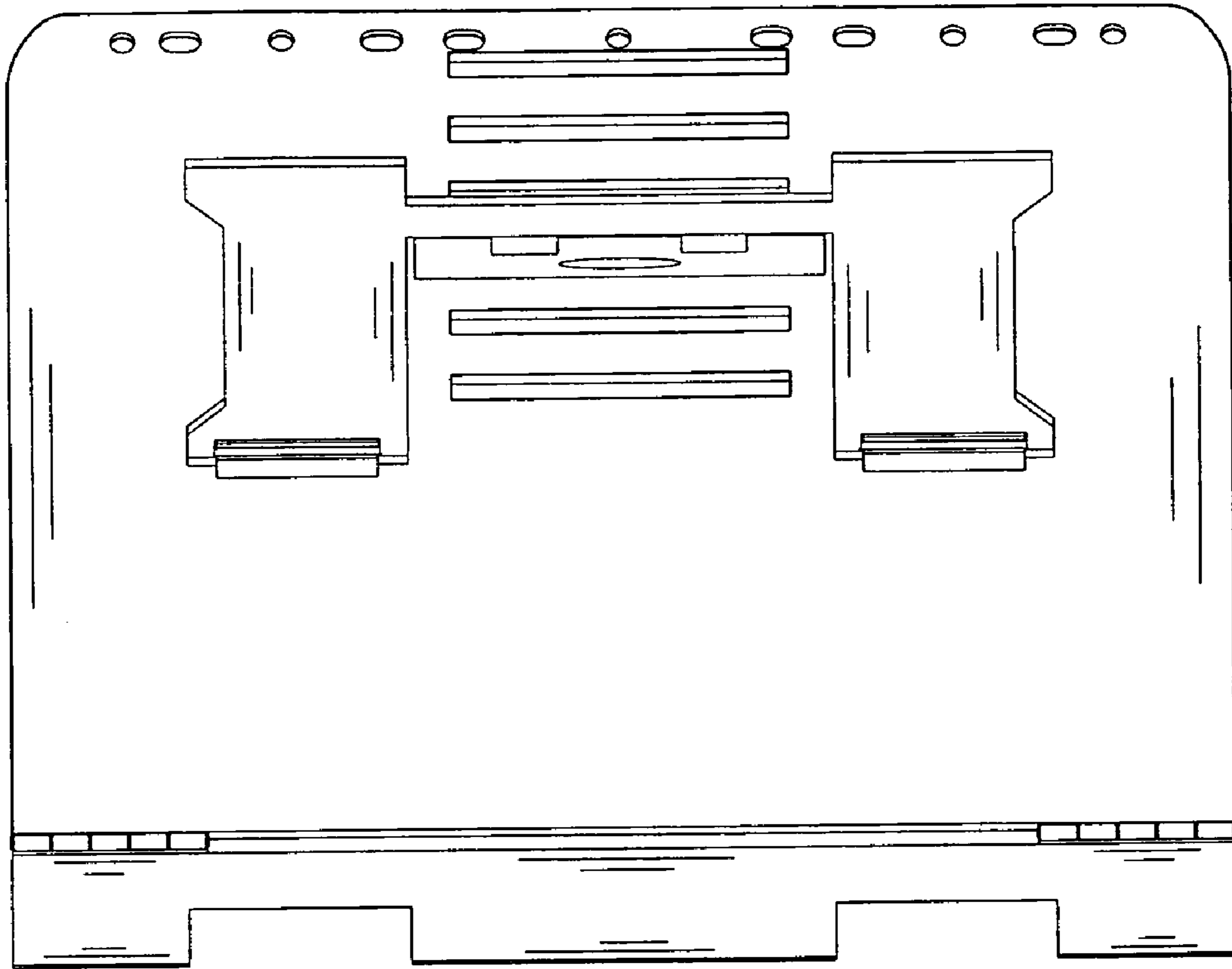


FIG. 7