



US00D603169S

(12) **United States Design Patent**
Smith

(10) **Patent No.:** **US D603,169 S**
(45) **Date of Patent:** **** Nov. 3, 2009**

(54) **COMBINED REMOVABLE DRAWER AND
DIAPER BAG**

(75) Inventor: **Rachael E. Smith**, Highland Park, IL
(US)

(73) Assignee: **Whoda Thought Ltd.**, Highland Park,
IL (US)

(**) Term: **14 Years**

(21) Appl. No.: **29/325,570**

(22) Filed: **Oct. 2, 2008**

(51) **LOC (9) Cl.** **03-01**

(52) **U.S. Cl.** **D3/319**

(58) **Field of Classification Search** D3/233,
D3/243, 268, 276, 283-284, 286-287, 290,
D3/297, 304, 313-314, 318-319; D7/607;
D28/73, 83; 150/107, 112-113, 117-118;
206/557, 561

See application file for complete search history.

(56) **References Cited**

U.S. PATENT DOCUMENTS

D116,165 S *	8/1939	Kaufmann	D3/283
2,463,993 A	3/1949	Meyers		
2,555,778 A	6/1951	Blume		
2,788,823 A *	4/1957	Walser	150/113
2,801,666 A	8/1957	Steele		
2,911,024 A *	11/1959	Miceli	150/113
3,335,775 A	8/1967	Adams		
3,759,356 A *	9/1973	Bostick et al.	190/111
D230,657 S *	3/1974	Begun	D28/76
4,685,559 A	8/1987	Titus		
5,209,279 A	5/1993	Wilson		
D372,119 S *	7/1996	Fendi	D3/233
D405,610 S *	2/1999	Rasmussen	D3/305
5,873,504 A	2/1999	Farmer		
D416,677 S	11/1999	Christman		

D444,302 S	7/2001	Jones		
D472,379 S *	4/2003	Hillman	D3/267
D476,480 S *	7/2003	Hillman	D3/263
D512,836 S *	12/2005	Marnell, II	D3/313
6,994,132 B2	2/2006	Antrobus		
D523,632 S	6/2006	Handley		
D537,633 S *	3/2007	Marnell, II	D3/313
D553,619 S	10/2007	Mak et al.		
D559,541 S	1/2008	Clark		
D563,673 S *	3/2008	Dretzka	D3/304
D579,662 S *	11/2008	Dretzka	D3/313
2009/0090443 A1 *	4/2009	Preciado et al.	150/113

* cited by examiner

Primary Examiner—Philip S Hyder

Assistant Examiner—Roselynn Cody

(74) *Attorney, Agent, or Firm*—Patzik, Frank & Samotny Ltd.

(57) **CLAIM**

The ornamental design for a combined removable drawer and diaper bag, as shown and described.

DESCRIPTION

FIG. 1 is a front elevation view of the diaper bag;

FIG. 2 is a perspective view, showing the drawer partially removed from the diaper bag;

FIG. 3 is a perspective view of the drawer;

FIG. 4 is a front elevation view thereof;

FIG. 5 is a rear elevation view thereof;

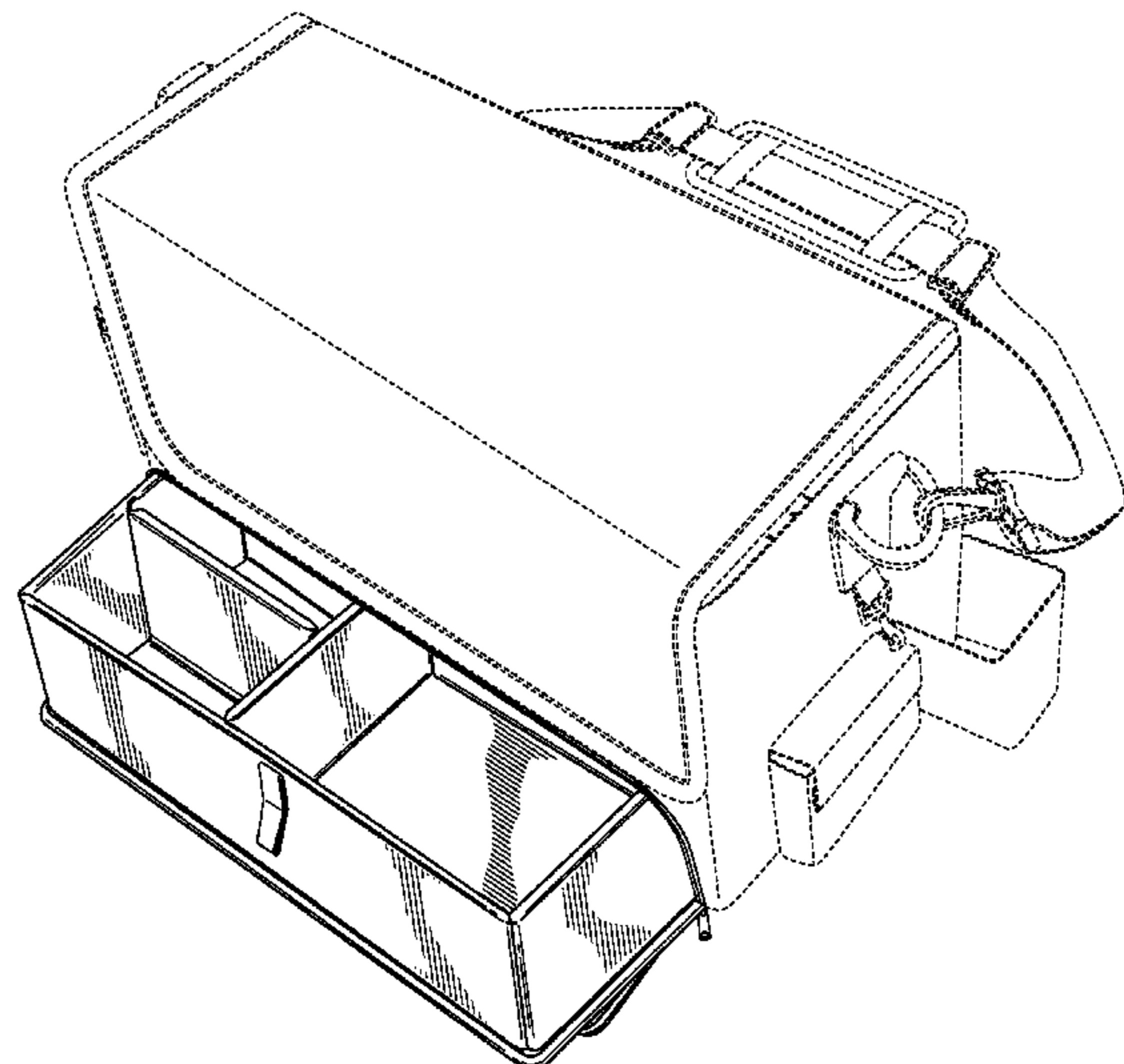
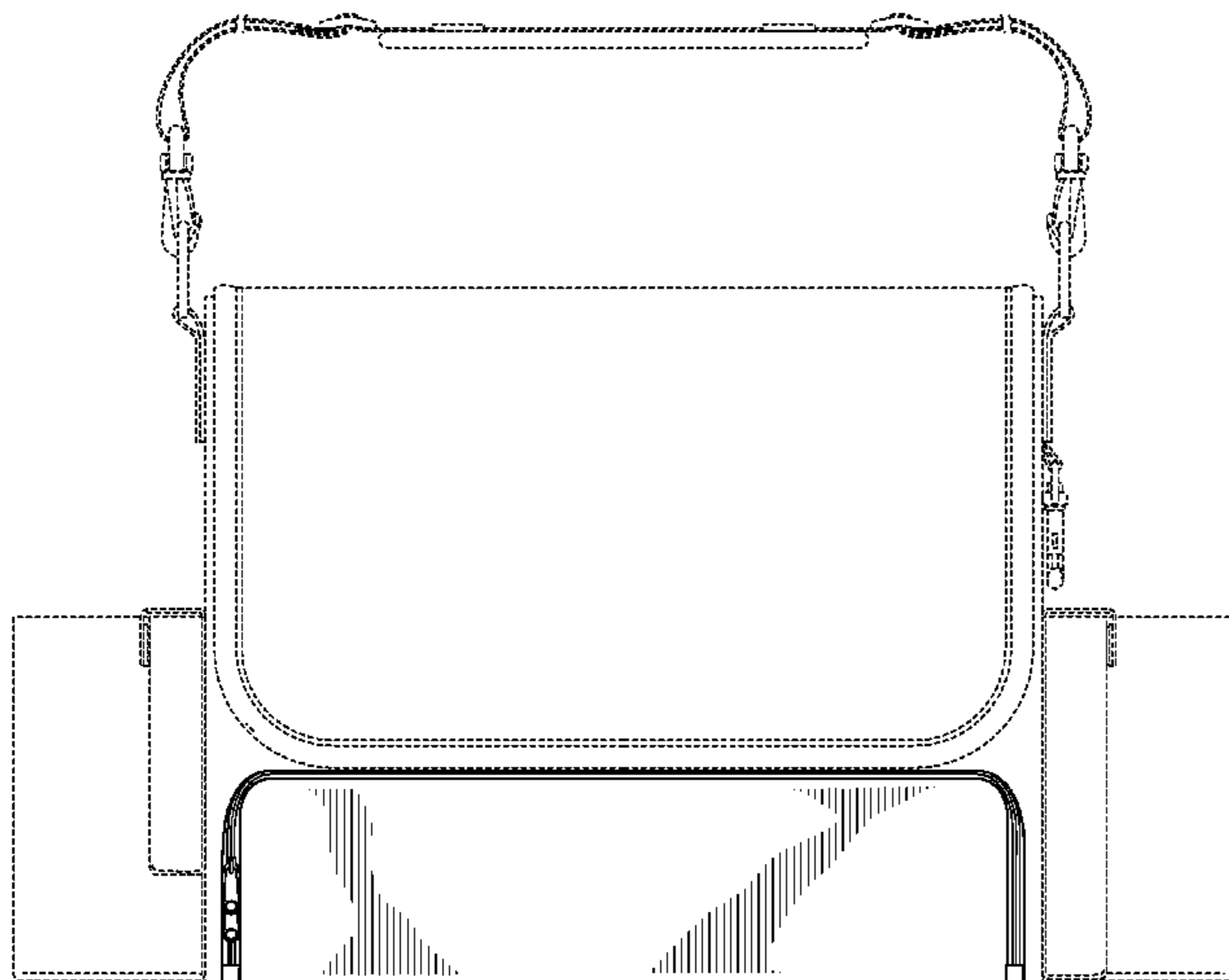
FIG. 6 is a left side elevation view thereof, the right side being a mirror image;

FIG. 7 is a bottom plan view thereof; and,

FIG. 8 is a top plan view thereof.

The portions of the drawings shown in broken lines illustrate environment and form no part of the design sought to be patented.

1 Claim, 7 Drawing Sheets



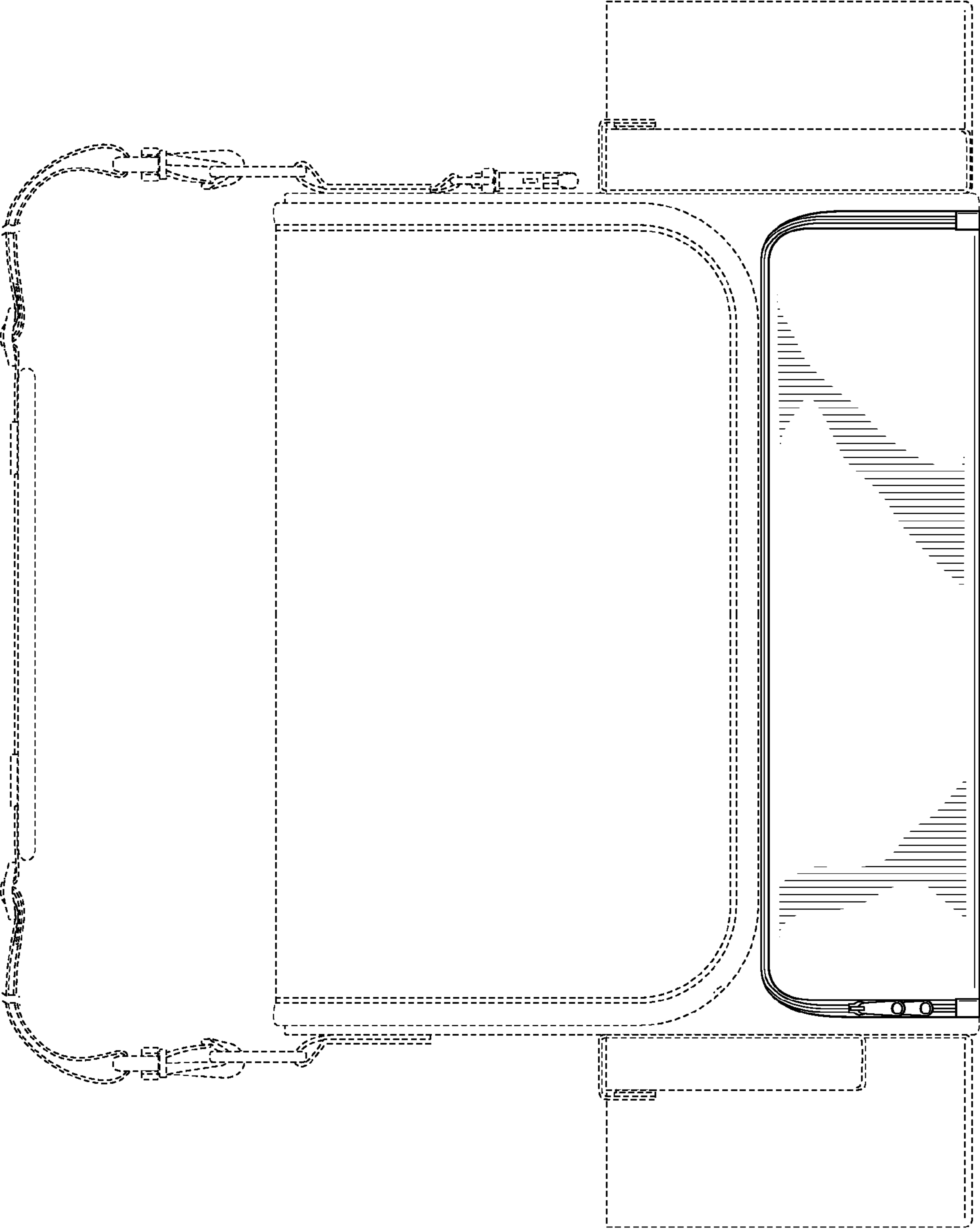


FIG. 1

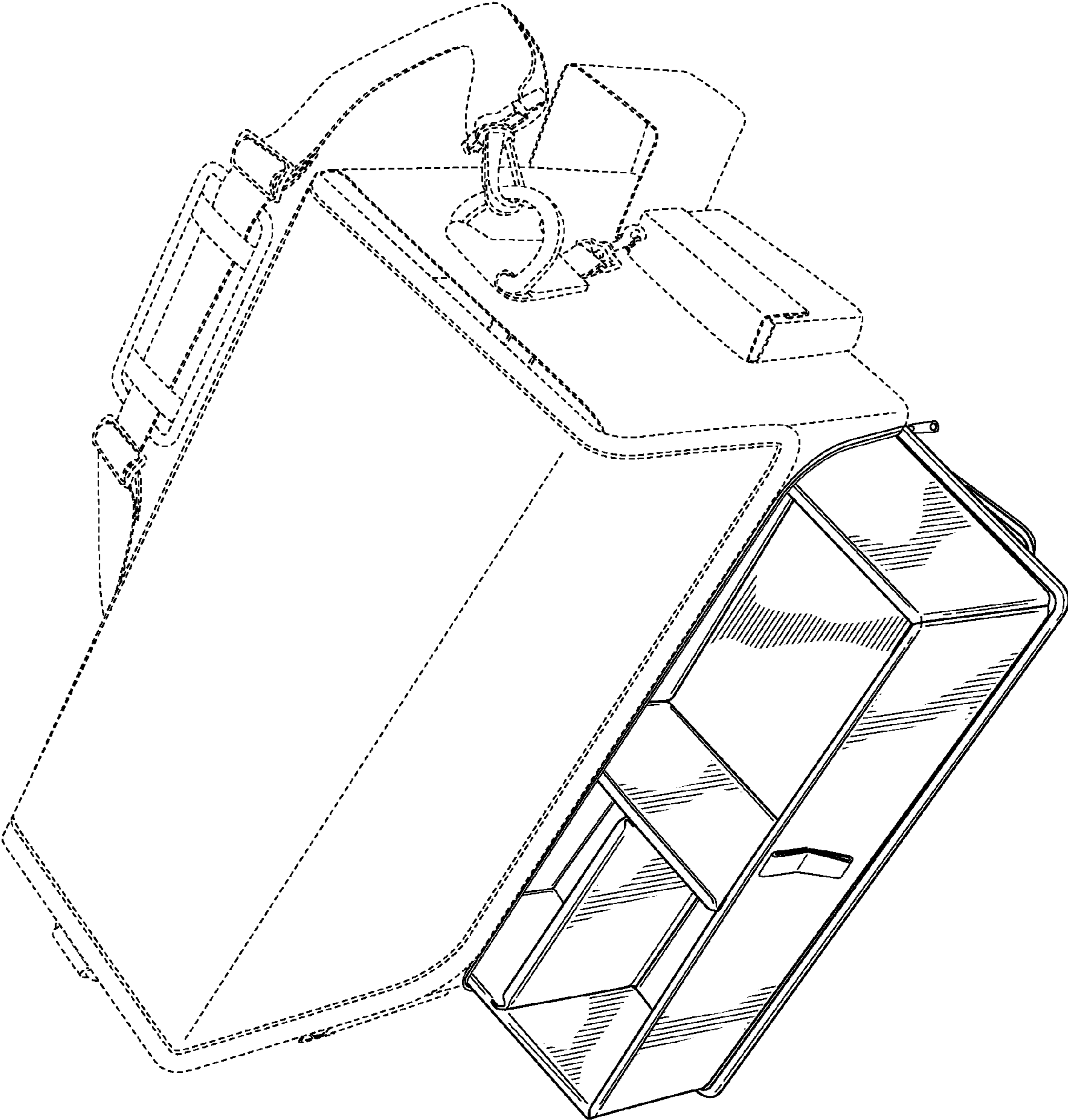


FIG. 2

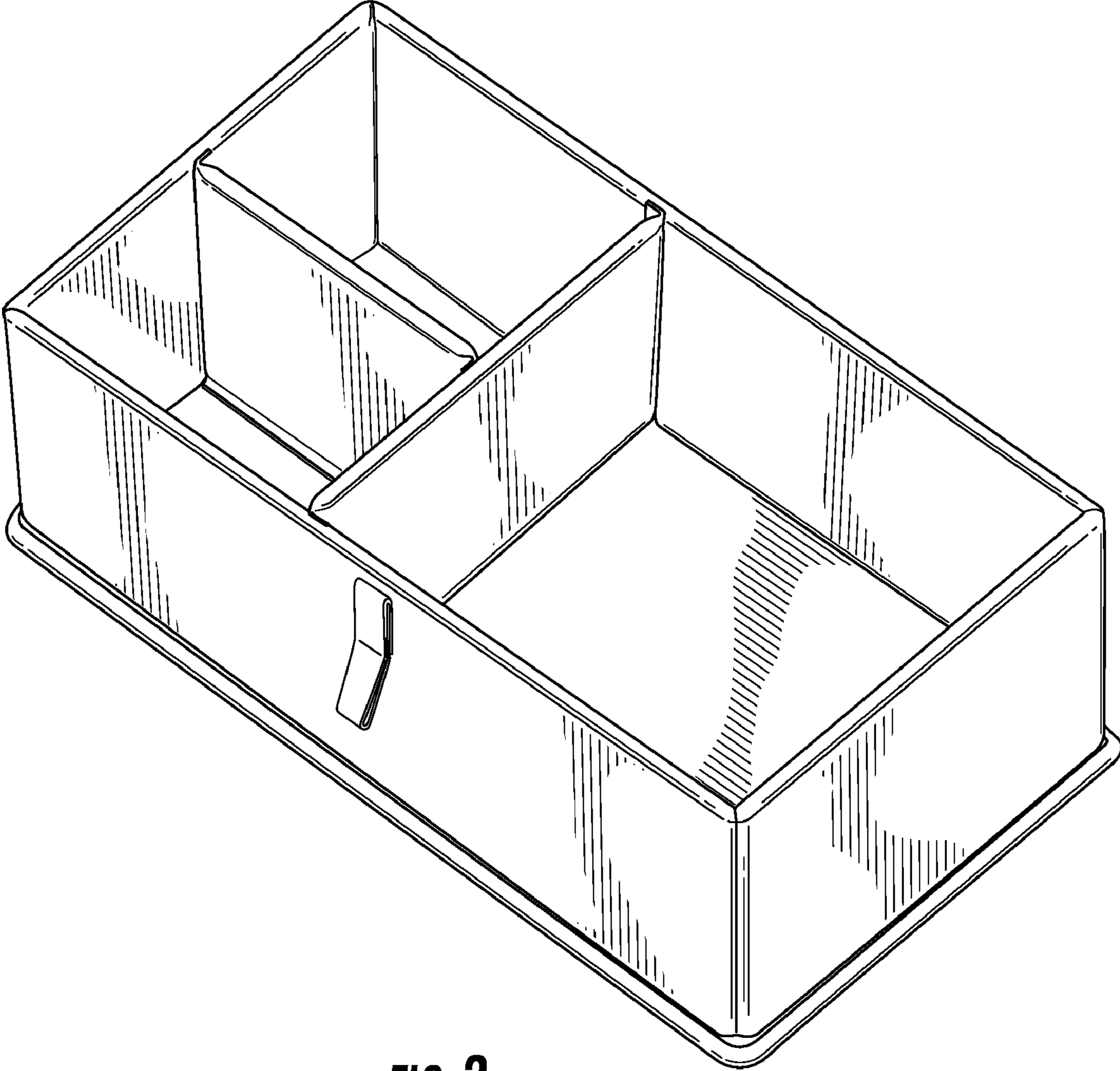


FIG. 3

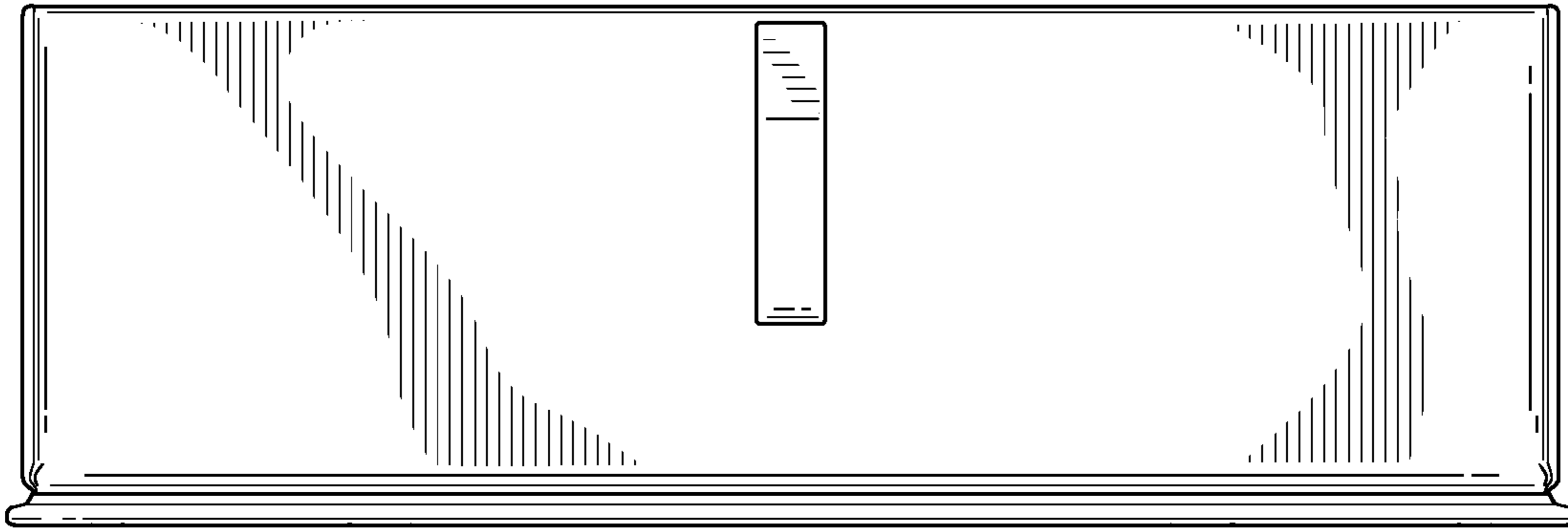


FIG. 4

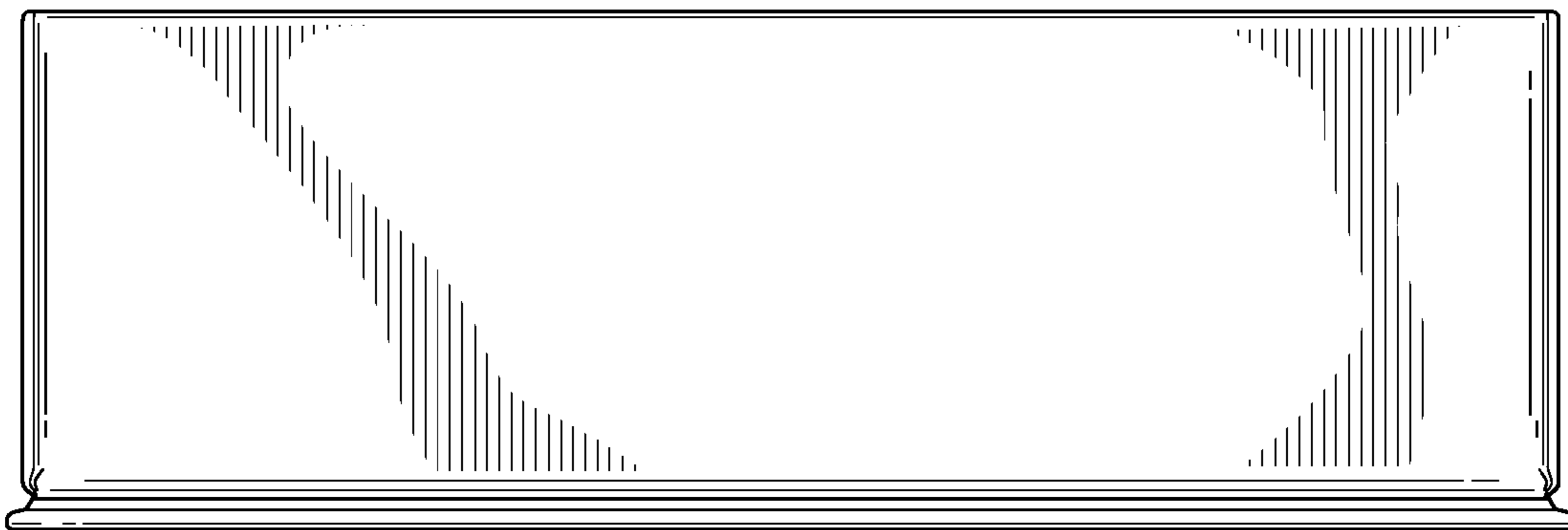


FIG. 5

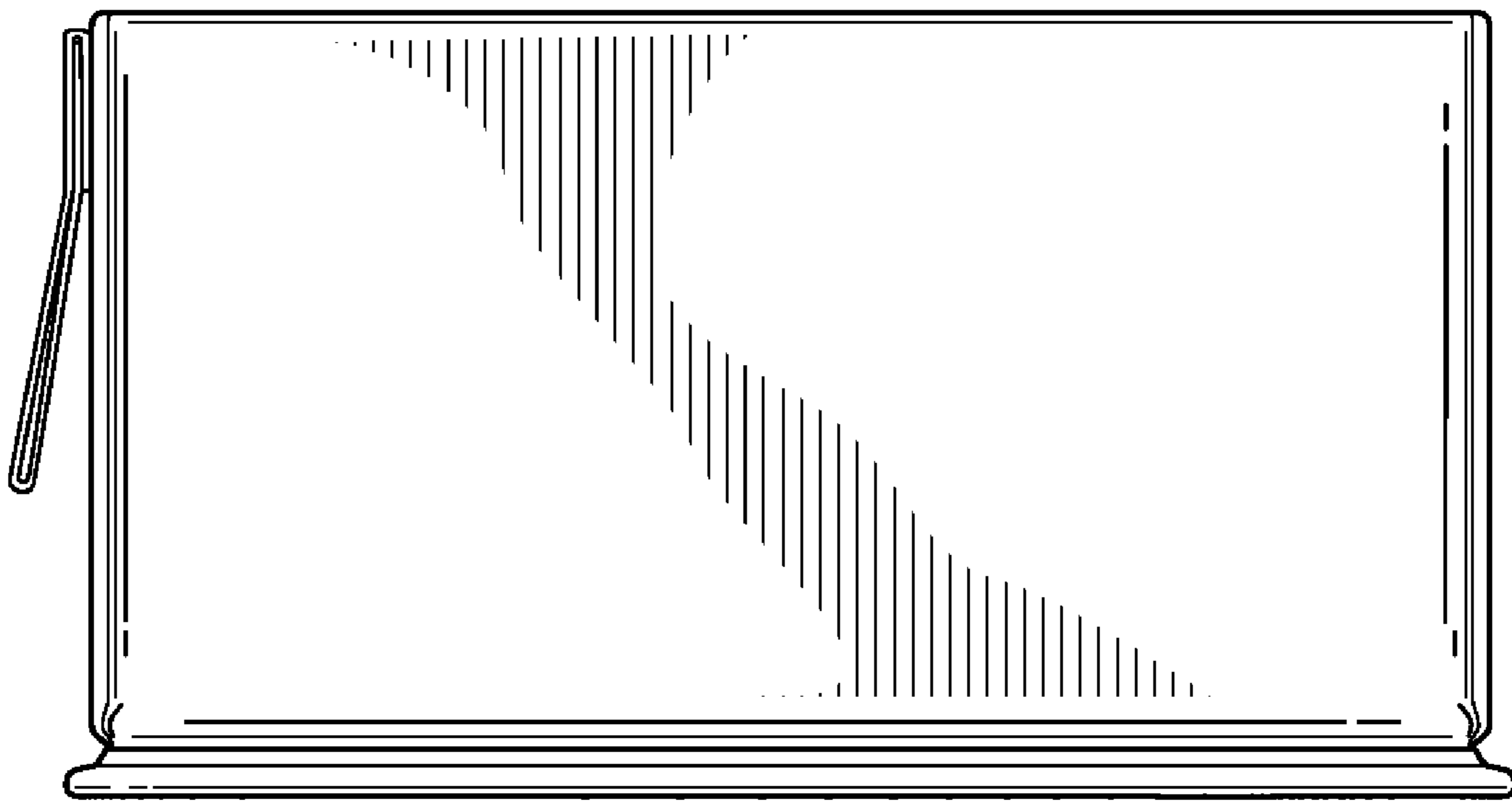


FIG. 6

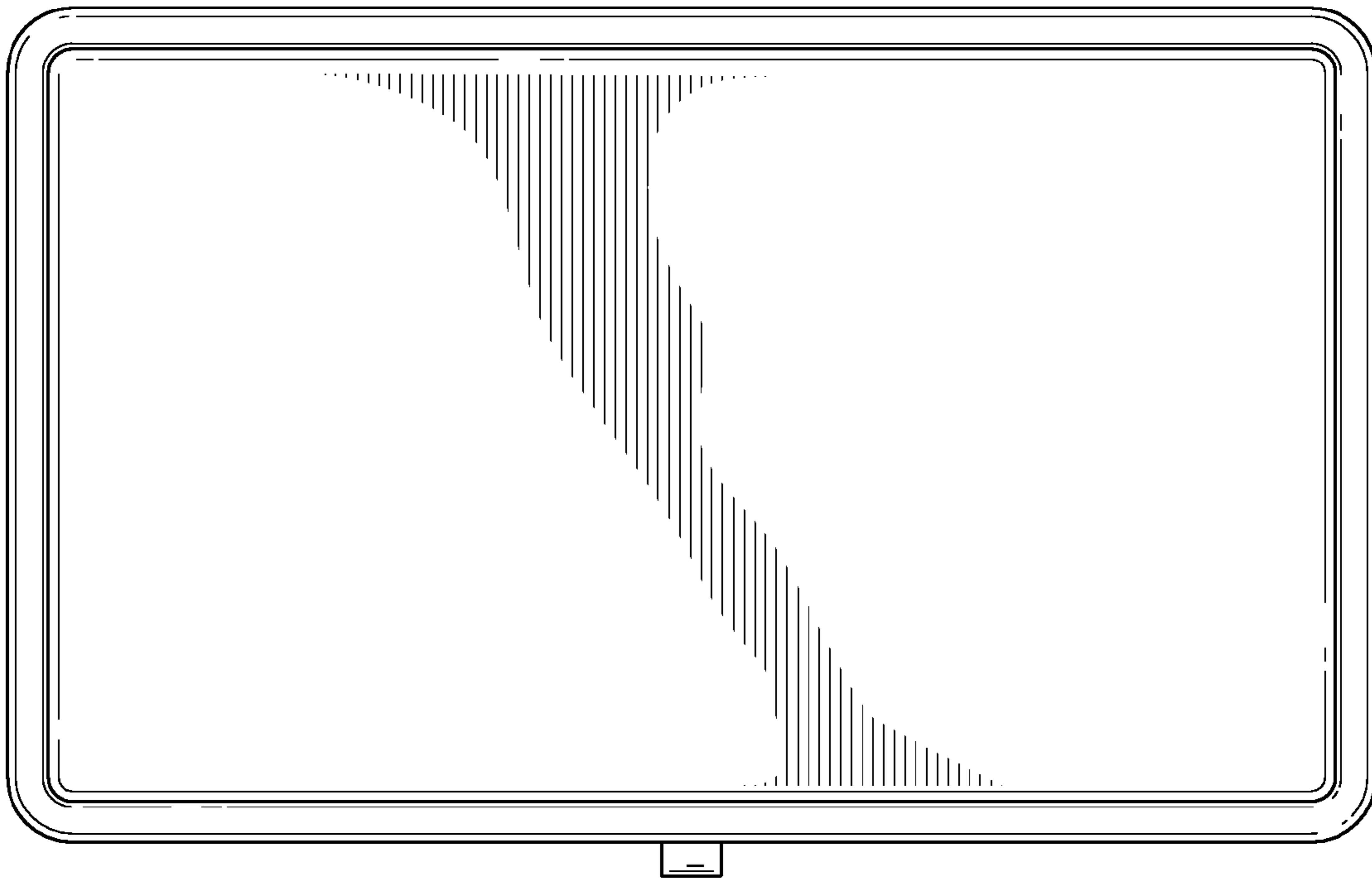


FIG. 7

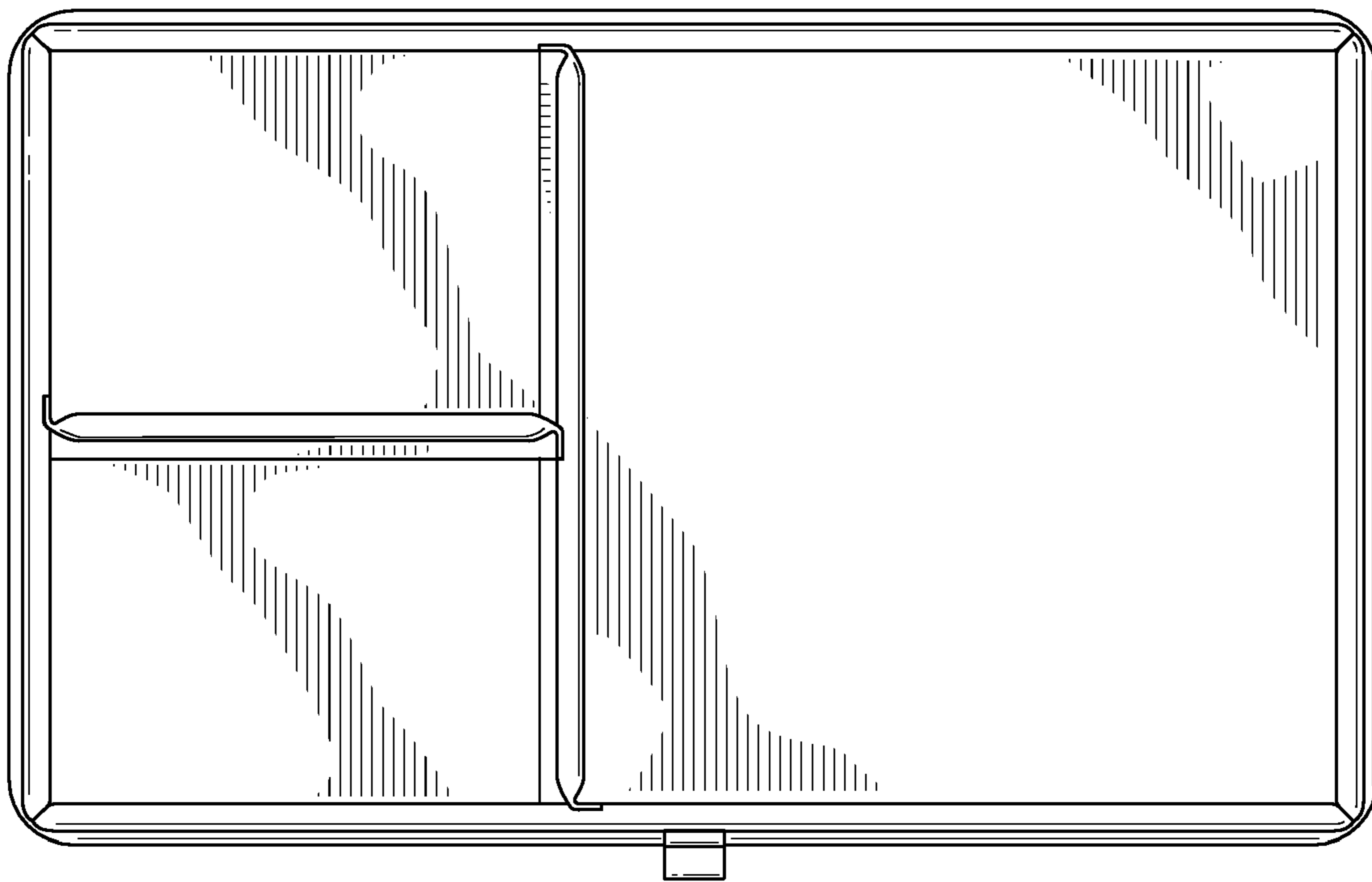


FIG. 8