



US00D603168S

(12) **United States Design Patent**
Melhede et al.

(10) **Patent No.:** **US D603,168 S**

(45) **Date of Patent:** **** Nov. 3, 2009**

(54) **LID FOR A CONTAINER**

(57) **CLAIM**

(75) Inventors: **Niels Melhede**, Cumberland, MD (US);
Linda Melhede, Cumberland, MD (US)

The ornamental design for a lid for a container, as shown and described.

(73) Assignee: **Superfos Packaging, Inc.**, Cumberland, MD (US)

DESCRIPTION

(**) Term: **14 Years**

FIG. 1 is a first perspective top view of a lid for a container showing our new design, the lid being in a closed state and shown above a top container of an exploded stack of cooperating containers,

(21) Appl. No.: **29/311,474**

FIGS. 2, 3 and 4 are second, third and fourth perspective top views thereof shown above a single cooperating container,

(22) Filed: **Mar. 27, 2009**

FIGS. 5 and 6 are fifth and sixth perspective top views thereof when its access flap is partly opened,

(51) **LOC (9) Cl.** **03-01**

(52) **U.S. Cl.** **D3/318**

(58) **Field of Classification Search** D3/318,
D3/270, 321, 271.2, 271.1, 271.6; D9/423,
D9/420, 424; 206/508, 515, 503, 518
See application file for complete search history.

FIG. 7 is a seventh perspective top view thereof when the access flap is fully opened,

FIG. 8 is a side view of FIG. 7,

(56) **References Cited**

U.S. PATENT DOCUMENTS

D426,064 S * 6/2000 Douglas et al. D3/326
D502,319 S * 3/2005 Krebs et al. D3/323

FIG. 9 is a bottom perspective bottom view thereof with the access flap partly opened; and,

FIG. 10 is a perspective bottom view thereof in a closed state.

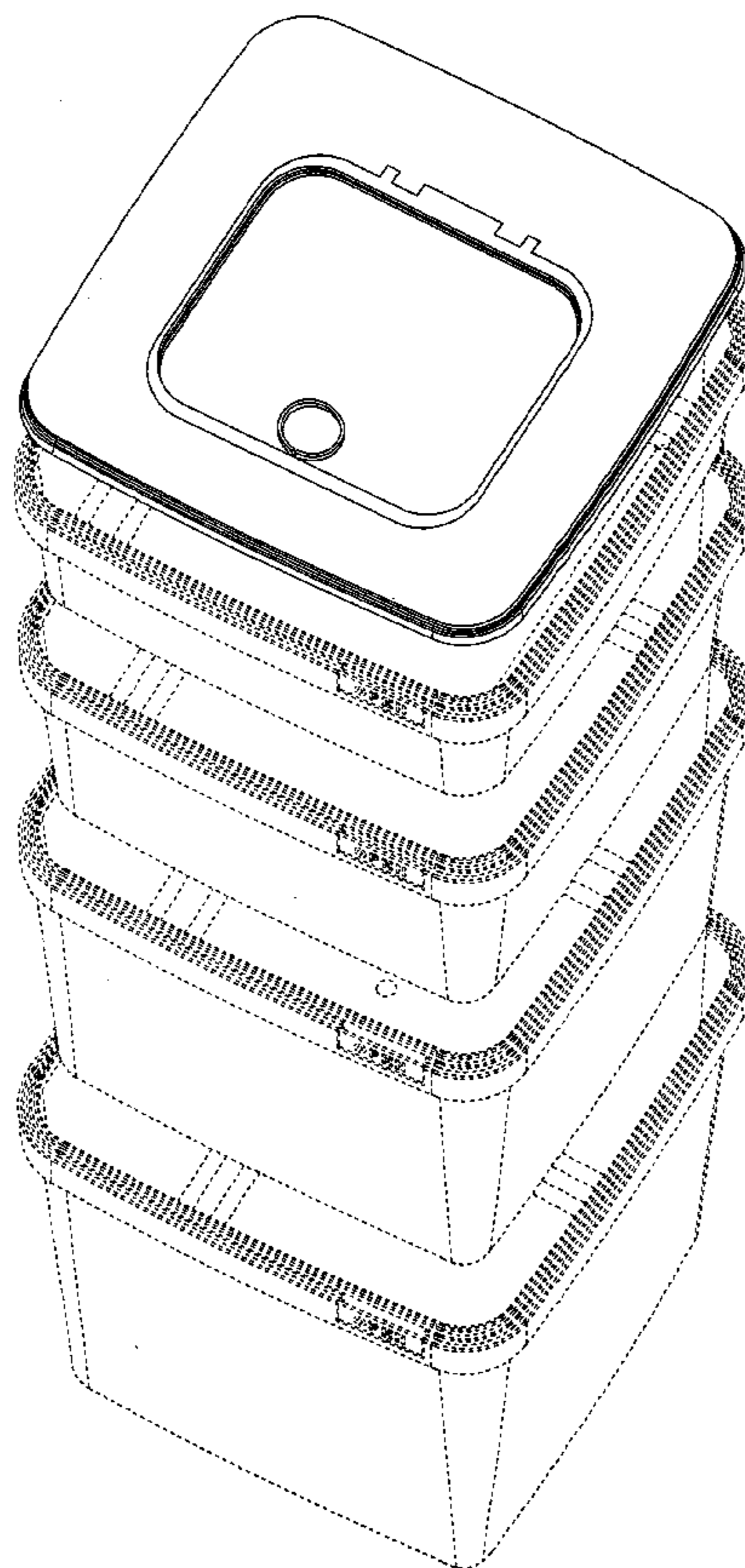
The broken line showing of containers is included for the purpose of illustrating environment and forms no part of the claimed design.

* cited by examiner

Primary Examiner—Holly H Baynham

(74) *Attorney, Agent, or Firm*—Dykema Gossett PLLC

1 Claim, 10 Drawing Sheets



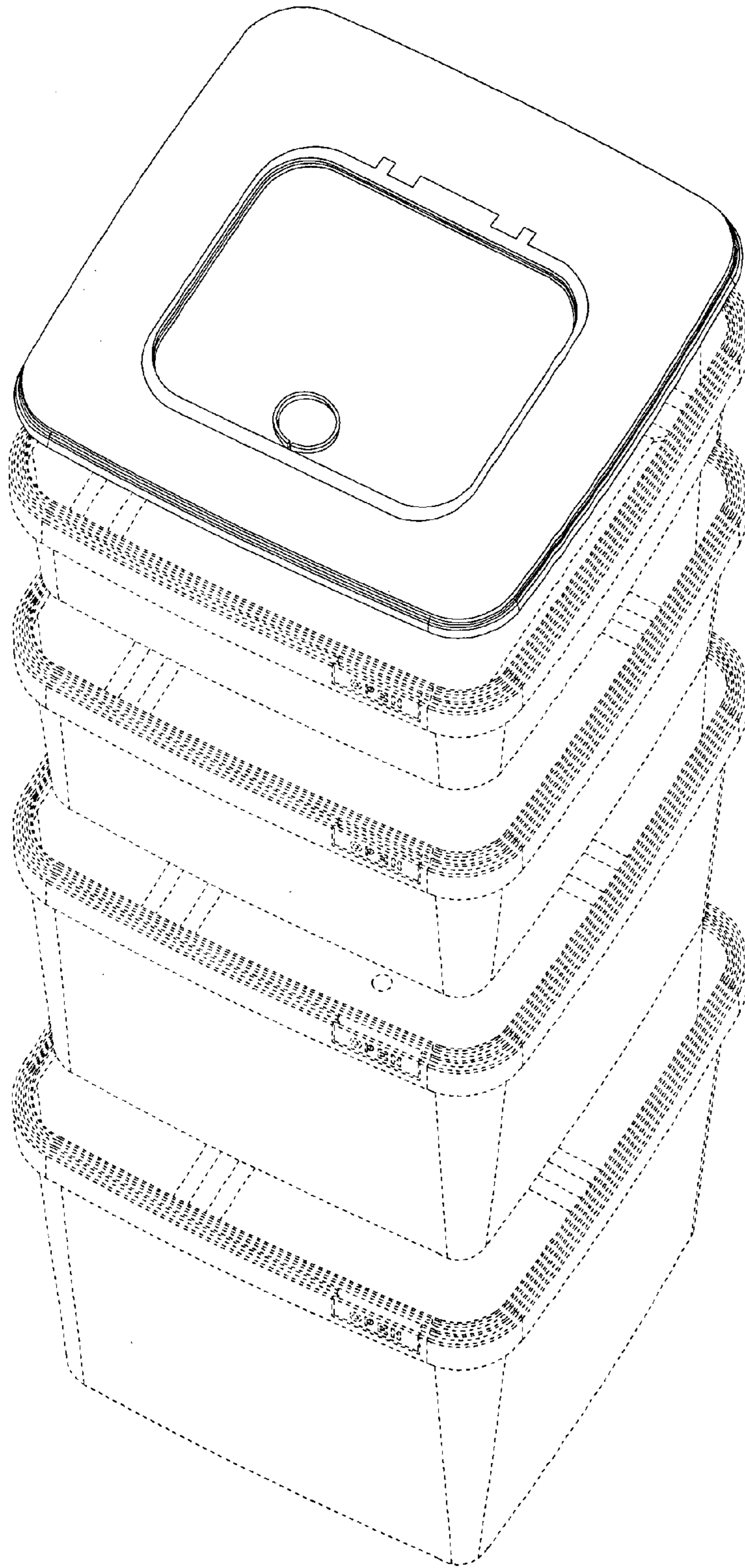


FIG. 1

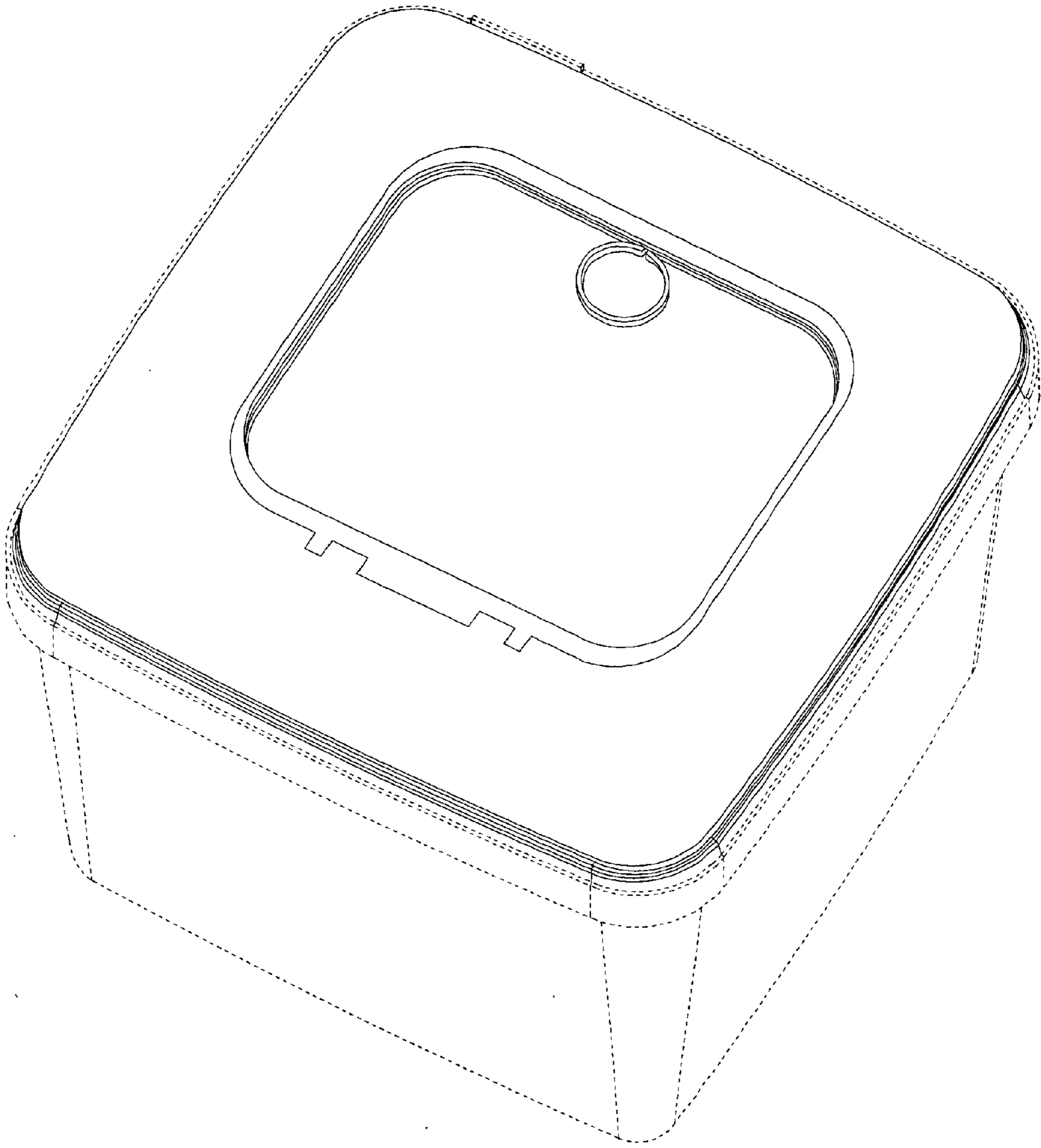


FIG. 2

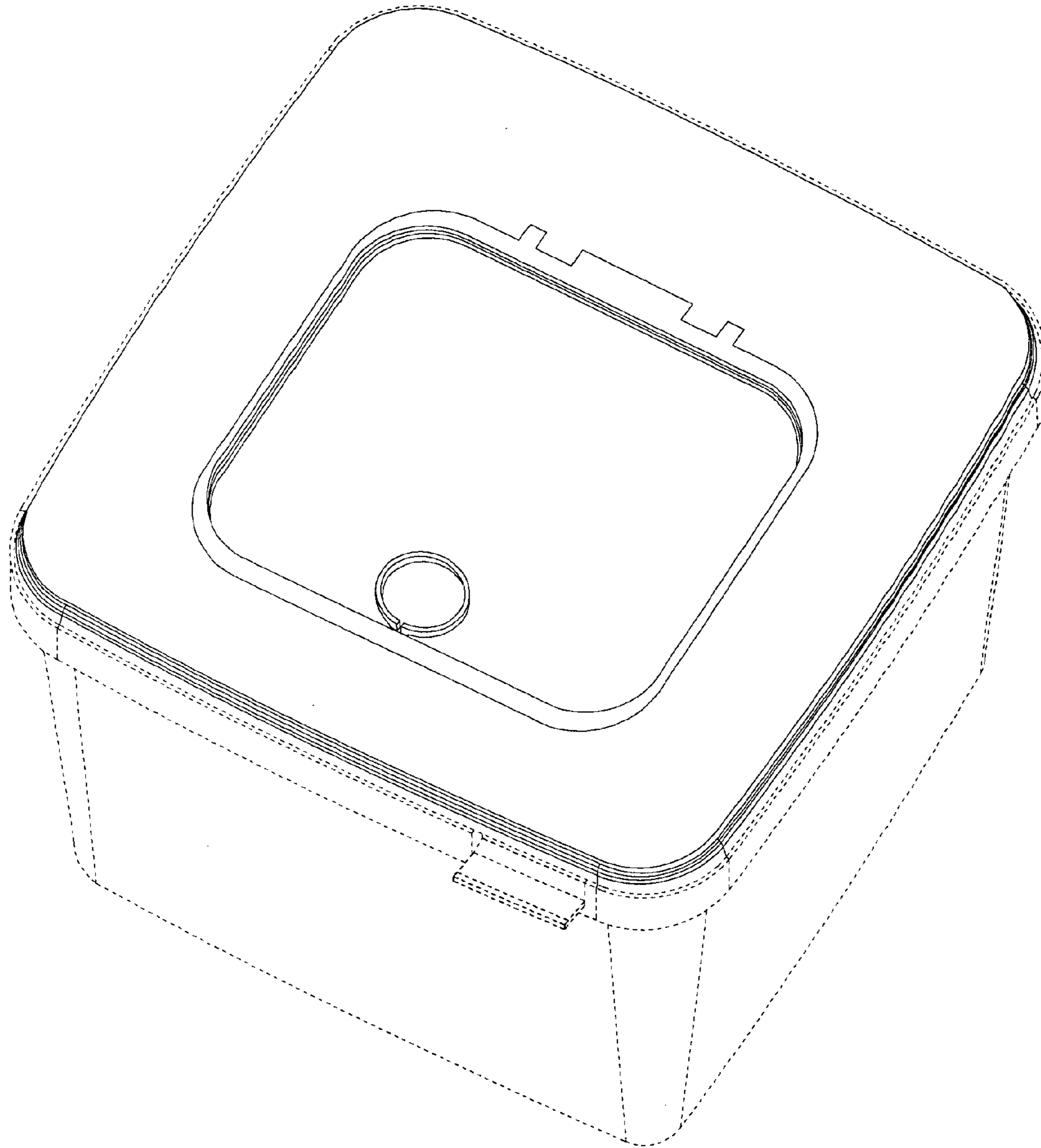


FIG. 3

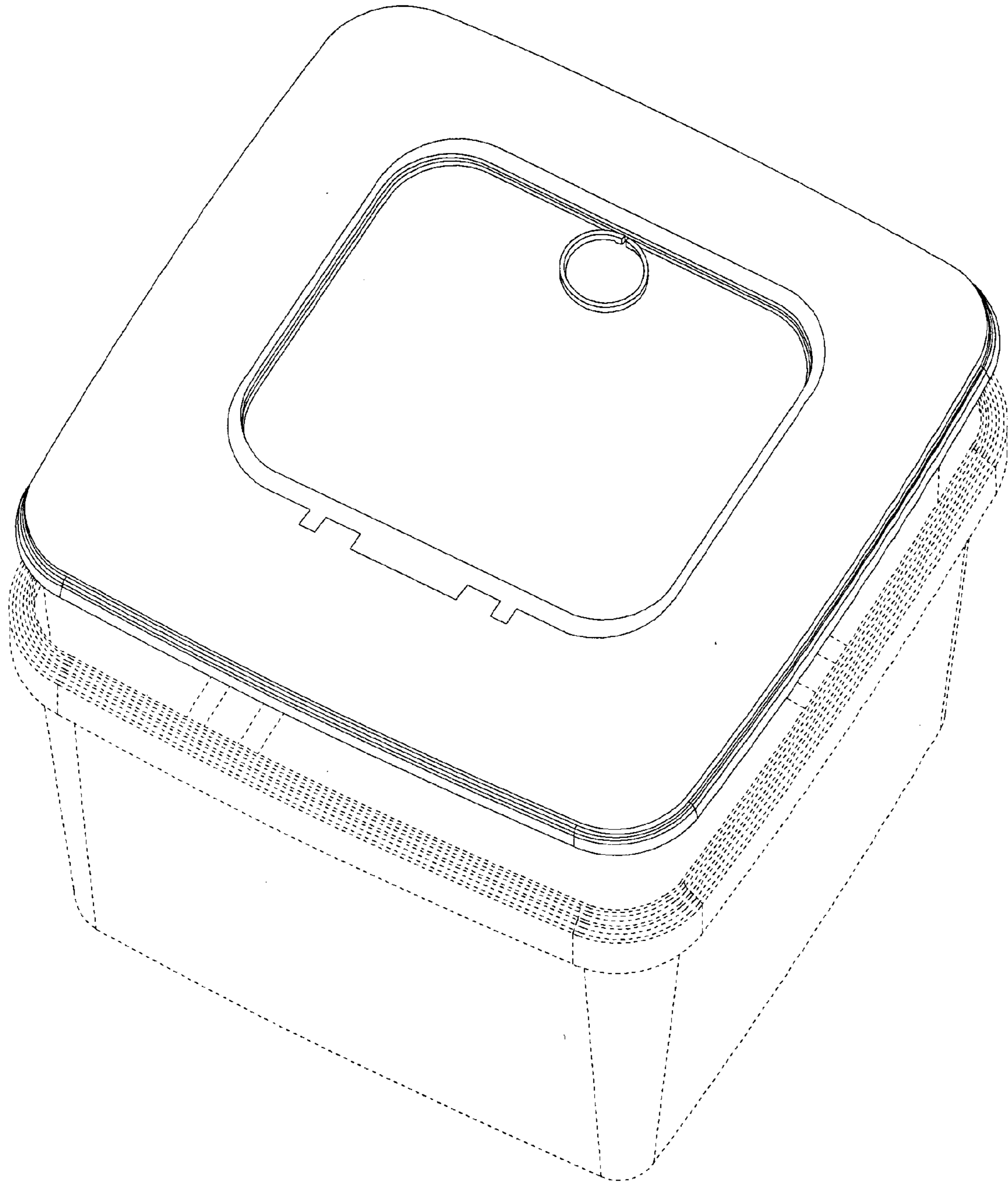


FIG. 4

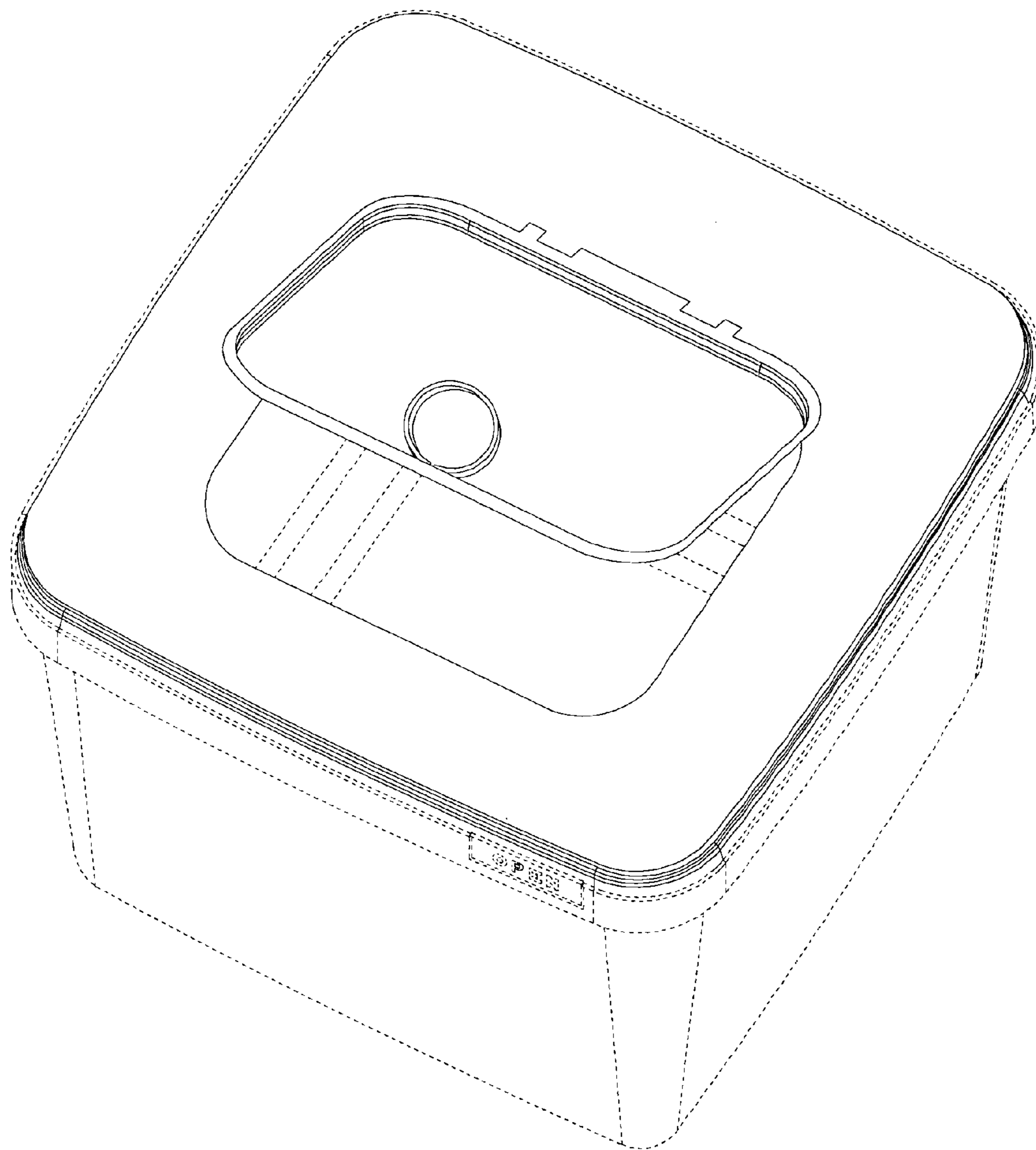


FIG. 5

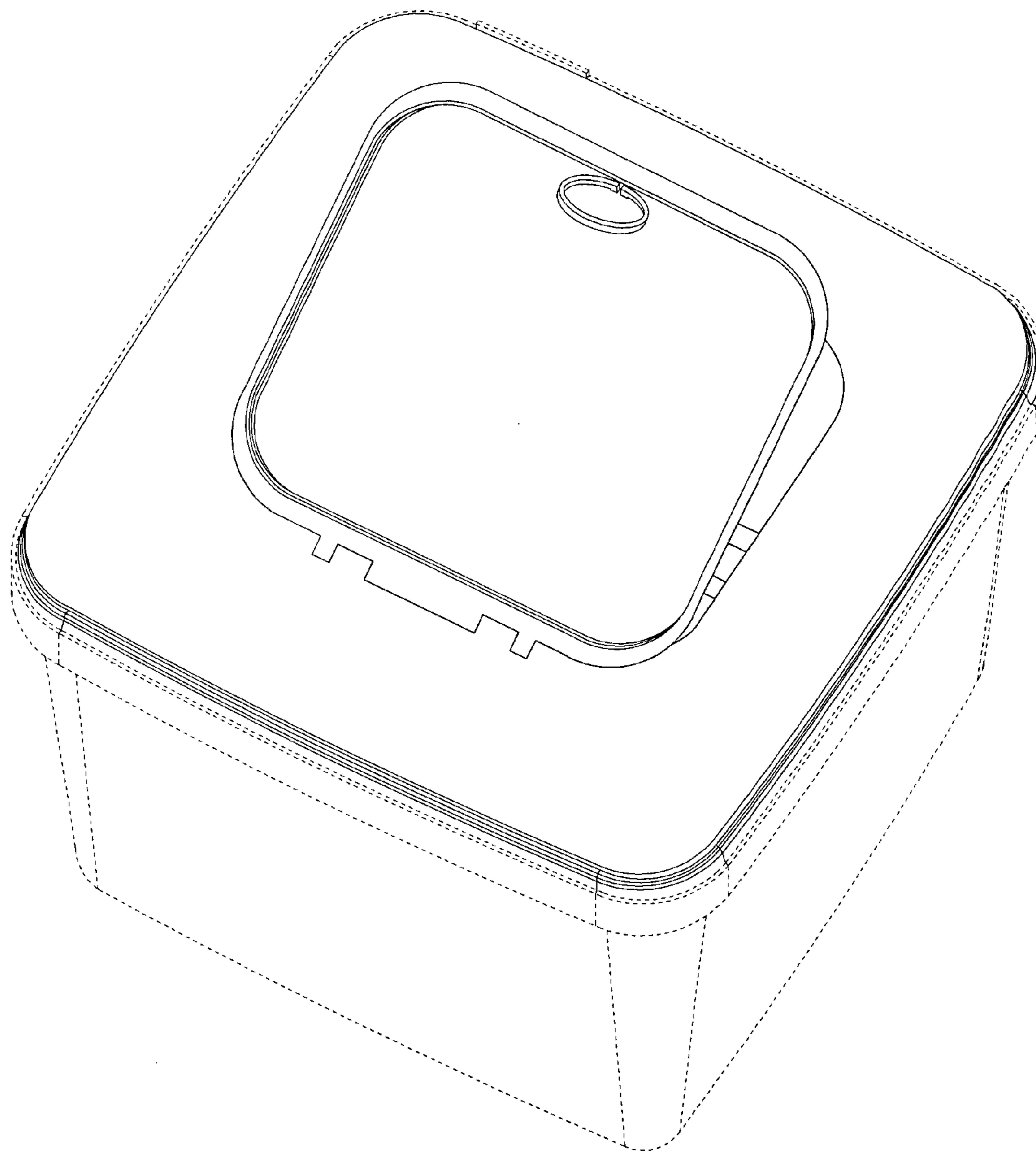


FIG. 6

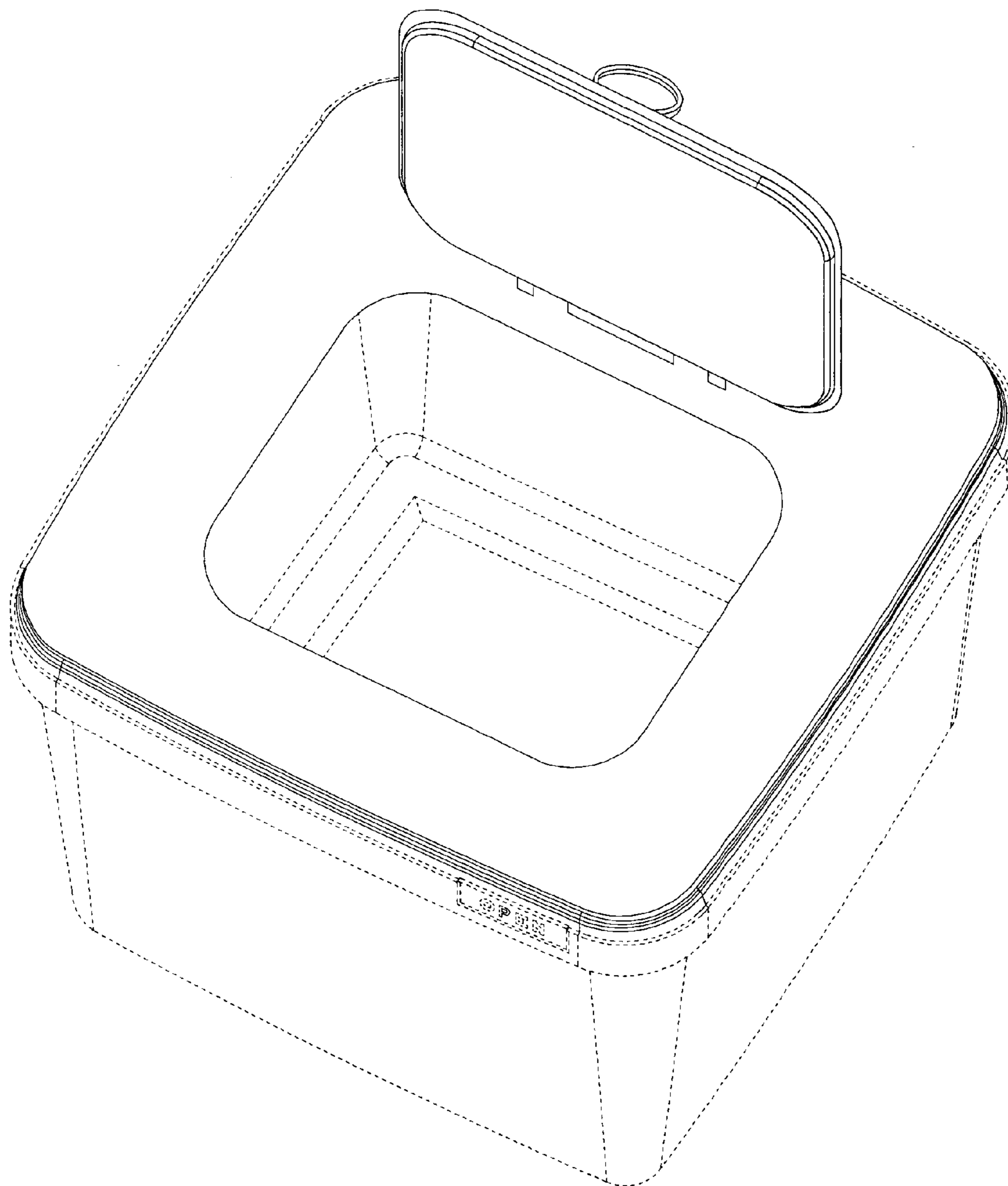


FIG. 7

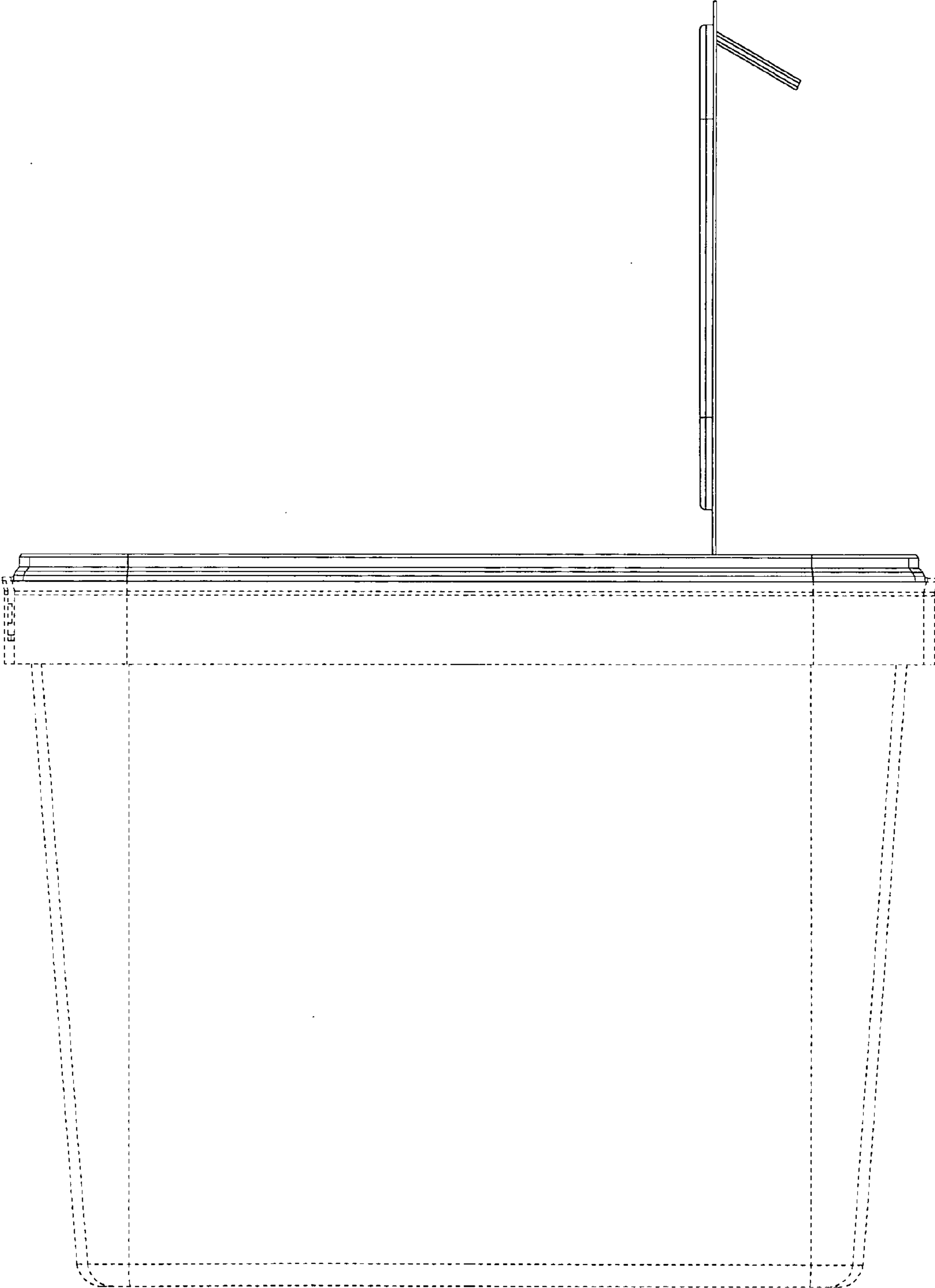


FIG. 8

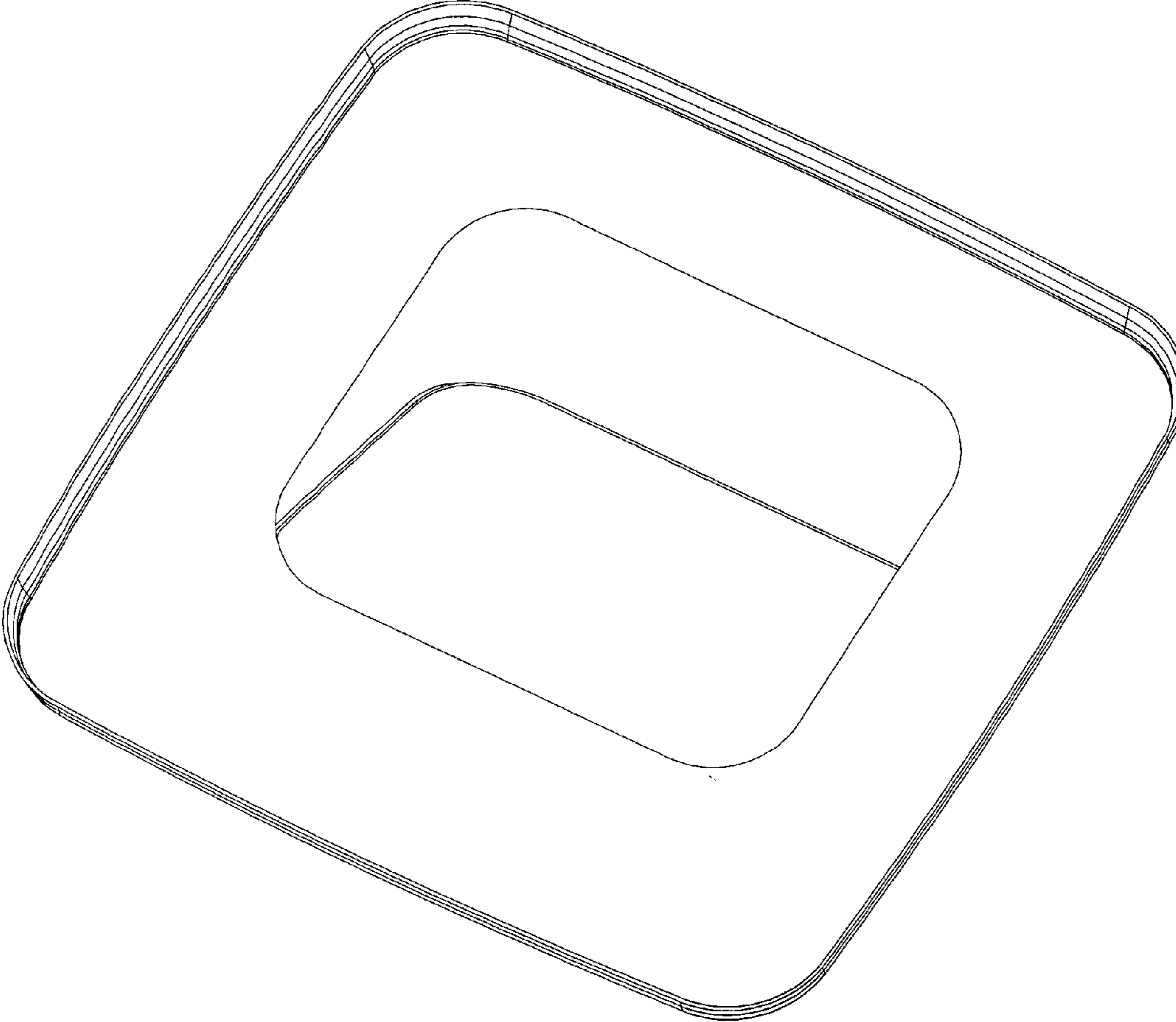


FIG. 9

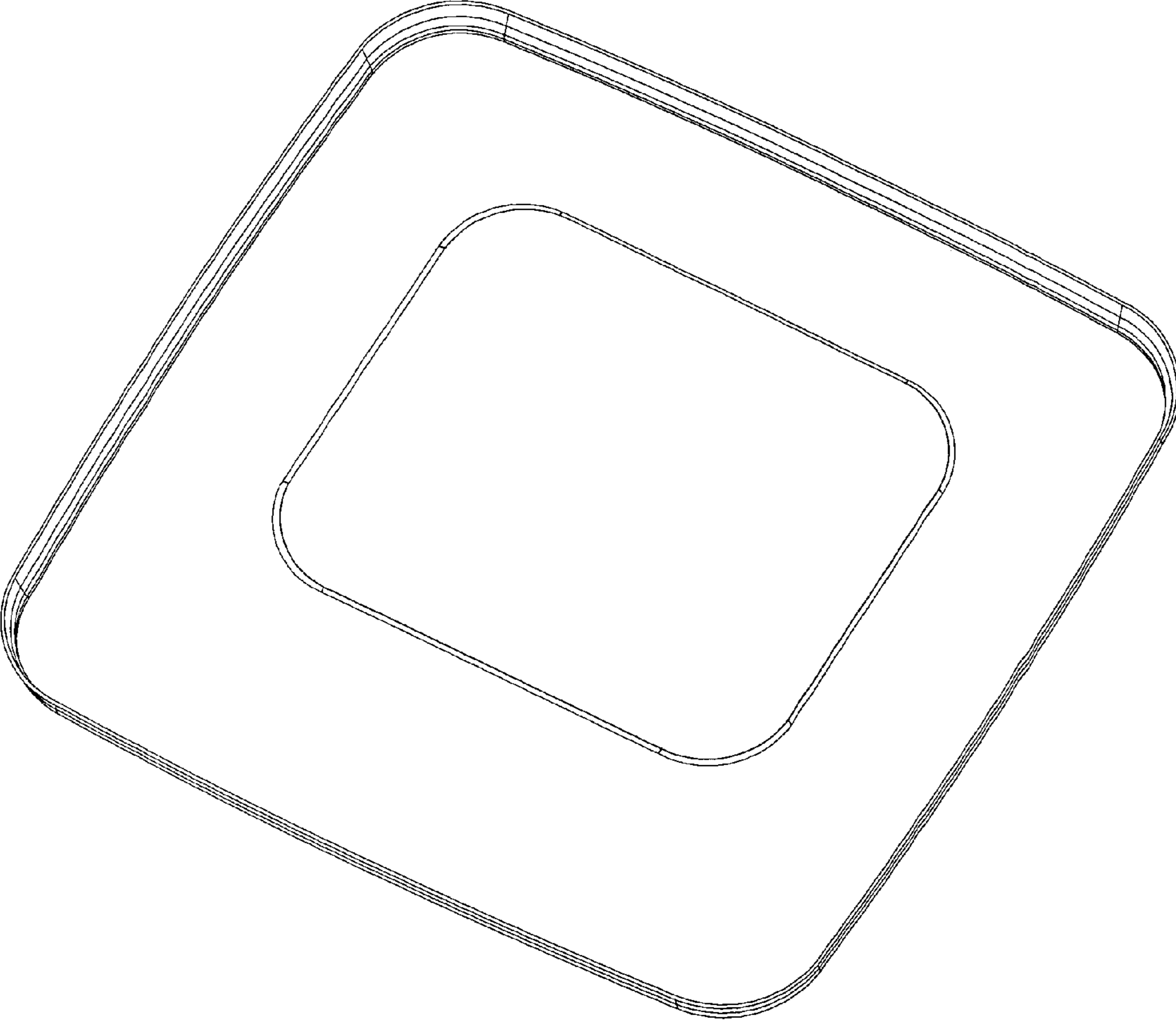


FIG. 10