



US00D603165S

(12) **United States Design Patent**  
**Losiewicz**

(10) **Patent No.:** **US D603,165 S**

(45) **Date of Patent:** **\*\* Nov. 3, 2009**

(54) **BLUE PRINT FOLDER/CARRIER**

(76) Inventor: **Henry Paul Losiewicz**, 10725 S. Ocean Dr., lot #117, Jensen Beach, FL (US) 34957

(\*\*) Term: **14 Years**

(21) Appl. No.: **29/329,565**

(22) Filed: **Dec. 17, 2008**

(51) **LOC (9) Cl.** ..... **03-01**

(52) **U.S. Cl.** ..... **D3/299**

(58) **Field of Classification Search** ..... D3/273, D3/290, 299-300, 315; D19/89; 190/107  
See application file for complete search history.

(56) **References Cited**

**U.S. PATENT DOCUMENTS**

1,094,009	A *	4/1914	Parkhurst	.....	206/373
3,749,233	A *	7/1973	McCormick, Jr.	.....	206/373
D269,923	S *	8/1983	Carrier et al.	.....	D3/290
D291,586	S *	8/1987	Bourret	.....	D21/686
D313,315	S *	1/1991	Prat	.....	D3/289
D314,084	S *	1/1991	Azadmard	.....	D3/315
D391,109	S *	2/1998	Miller	.....	D6/596
D401,736	S *	12/1998	Shaw	.....	D2/719
D458,743	S *	6/2002	Brookhouse	.....	D3/206
D459,071	S *	6/2002	Brookhouse	.....	D3/206
D466,686	S *	12/2002	Brookhouse	.....	D3/206
D476,811	S *	7/2003	Brookhouse	.....	D3/299
D478,455	S *	8/2003	Papazian	.....	D6/608
D586,554	S *	2/2009	Baptiste et al.	.....	D3/233
2005/0082130	A1 *	4/2005	McGrath	.....	190/26

\* cited by examiner

*Primary Examiner*—Philip S Hyder  
*Assistant Examiner*—Roselyne Cody

(74) *Attorney, Agent, or Firm*—Feldman Gale PA; Michael C. Cesarano; Christina DeAngelis

(57) **CLAIM**

The ornamental design for a blue print folder/carrier, as shown and described.

**DESCRIPTION**

FIG. 1 is a top perspective view of the blue print folder/carrier, showing the present invention in the “unrolled” position;

FIG. 2 is a bottom perspective view thereof;

FIG. 3 is a top plan view thereof;

FIG. 4 is a bottom plan view thereof.

FIG. 5 is a right side elevational view thereof;

FIG. 6 is a left side elevational view thereof;

FIG. 7 is a front elevational view thereof;

FIG. 8 is a rear elevational view thereof;

FIG. 9 is a top perspective view of the blue print folder/carrier, showing the present invention in the “rolled-up” position;

FIG. 10 is a right side elevational view thereof;

FIG. 11 is a left side elevational view thereof;

FIG. 12 is a top plan view thereof;

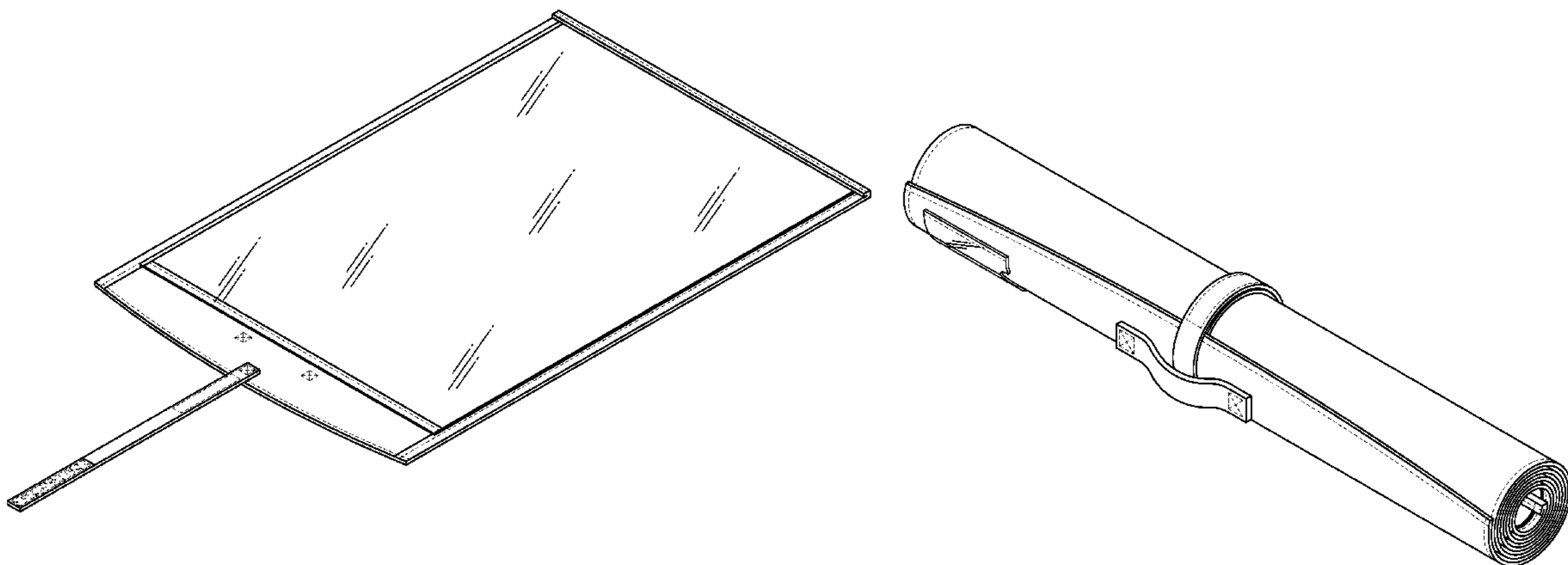
FIG. 13 is a bottom plan view thereof.

FIG. 14 is a front elevational view thereof; and,

FIG. 15 is a rear elevational view thereof.

The broken lines in the figures indicate stitching which forms part of the claimed design.

**1 Claim, 8 Drawing Sheets**



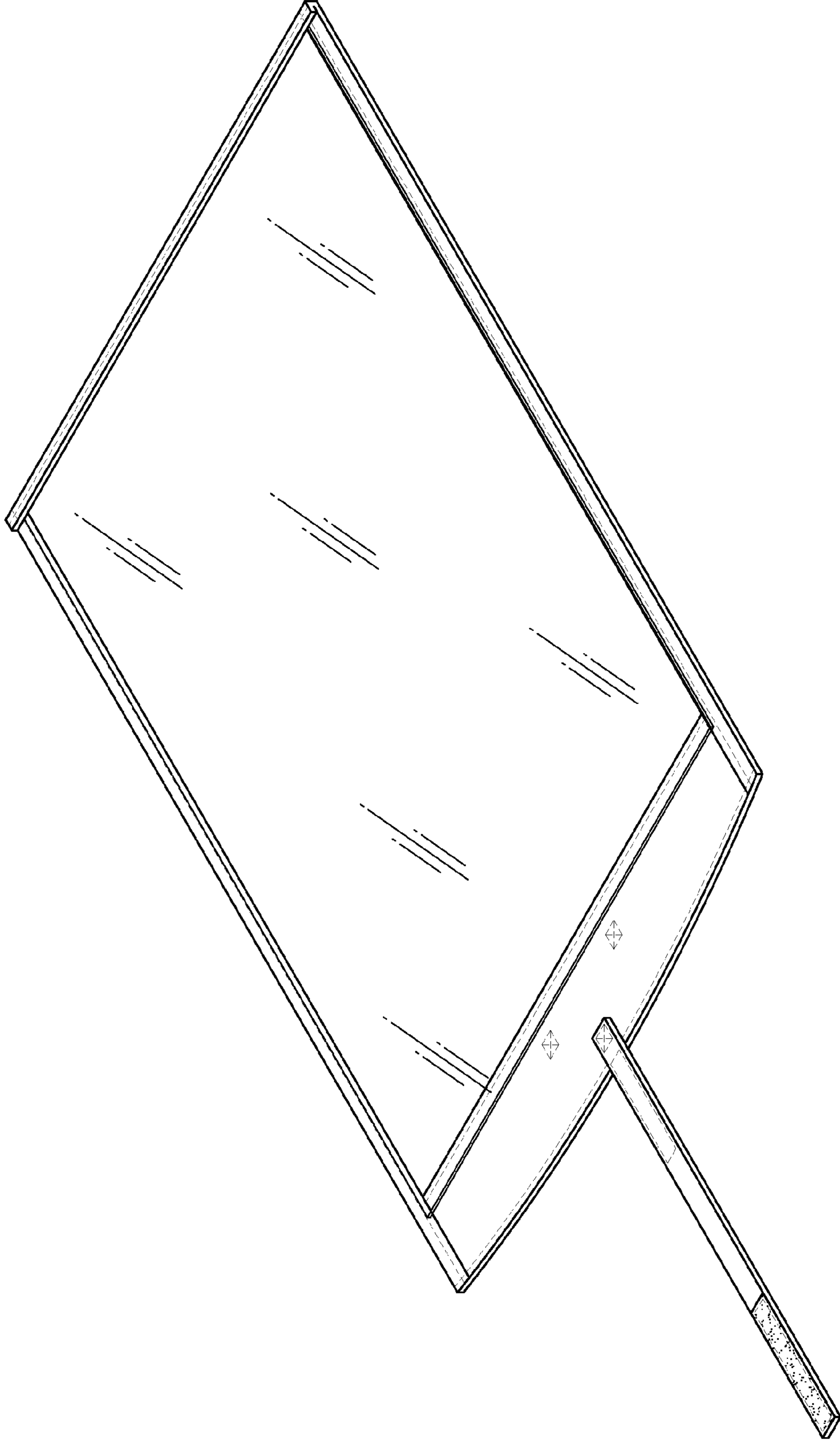


FIG. 1

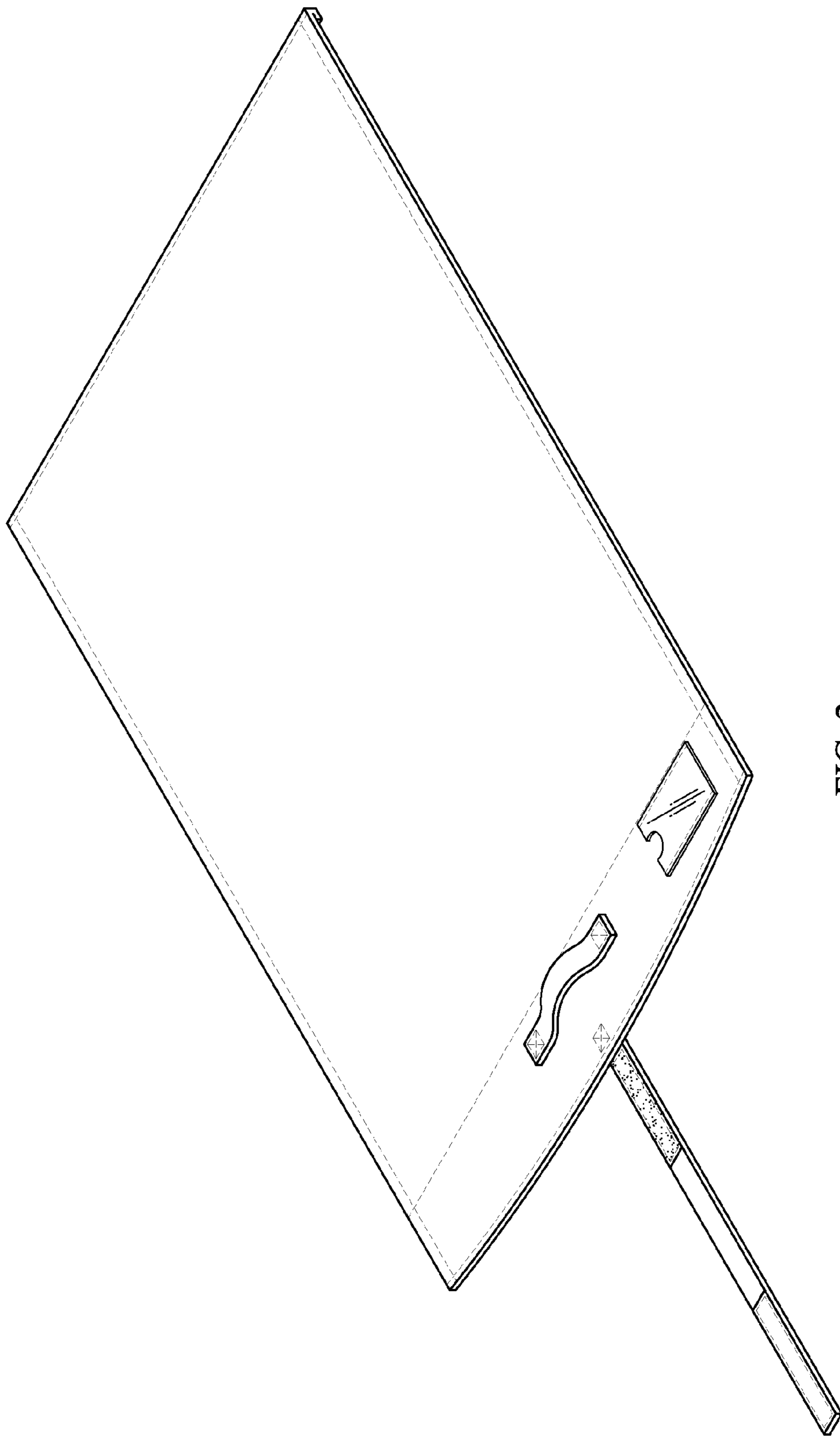


FIG. 2

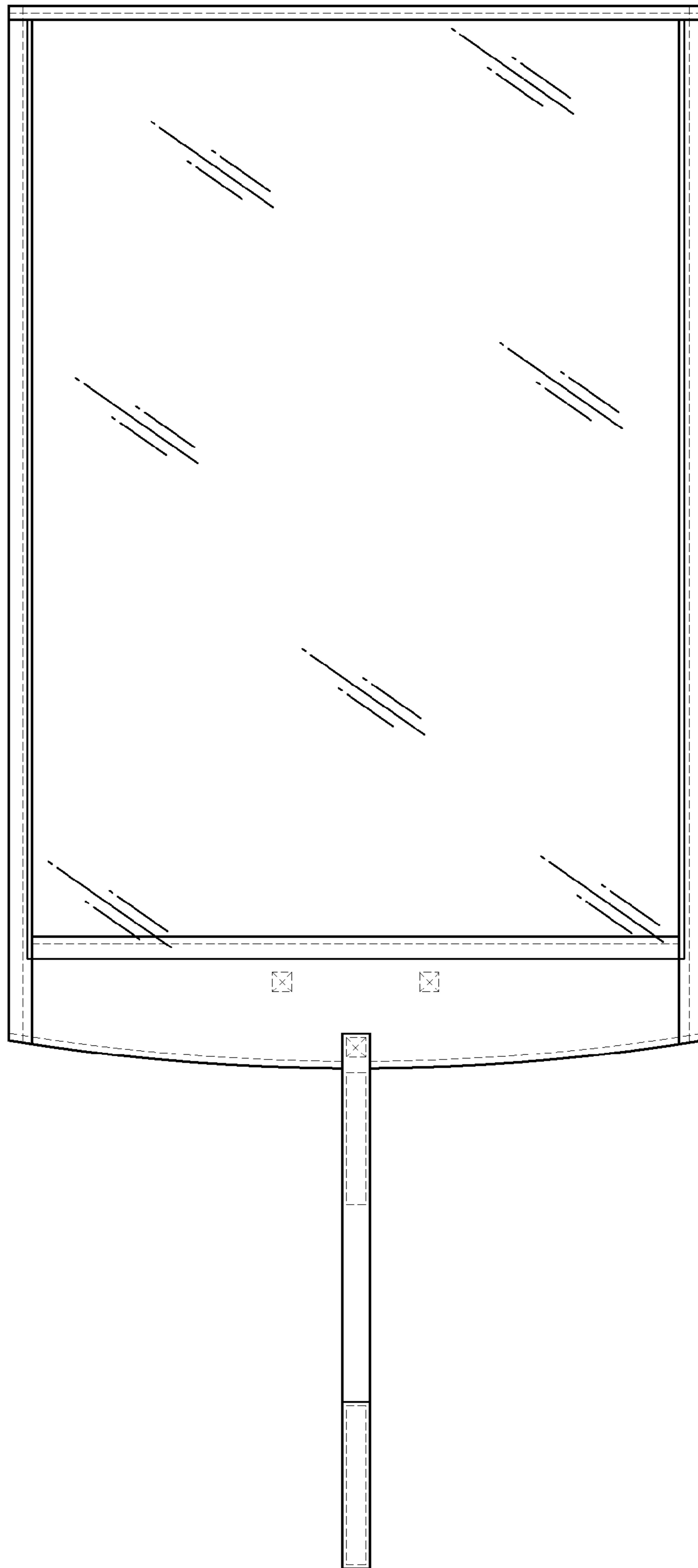


FIG. 3

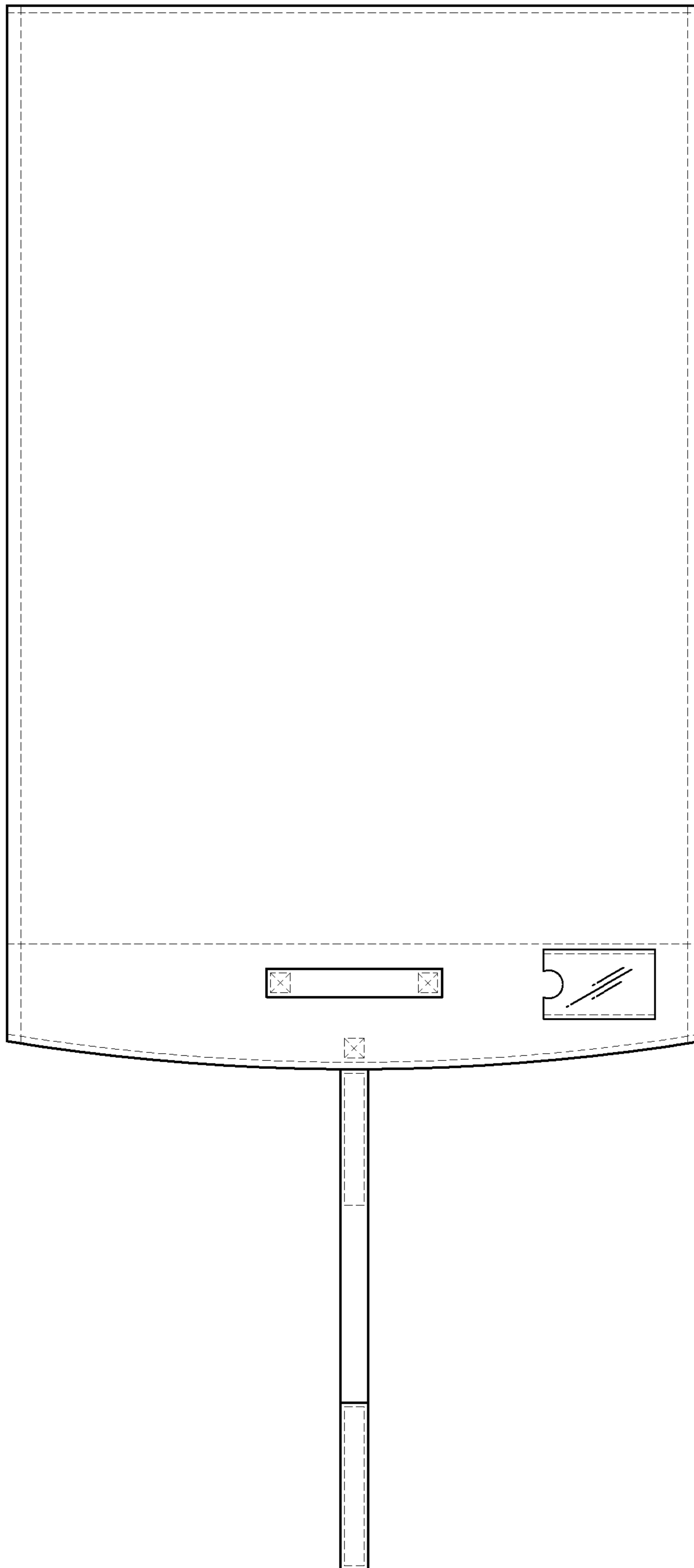


FIG. 4



FIG. 5



FIG. 6



FIG. 7



FIG. 8

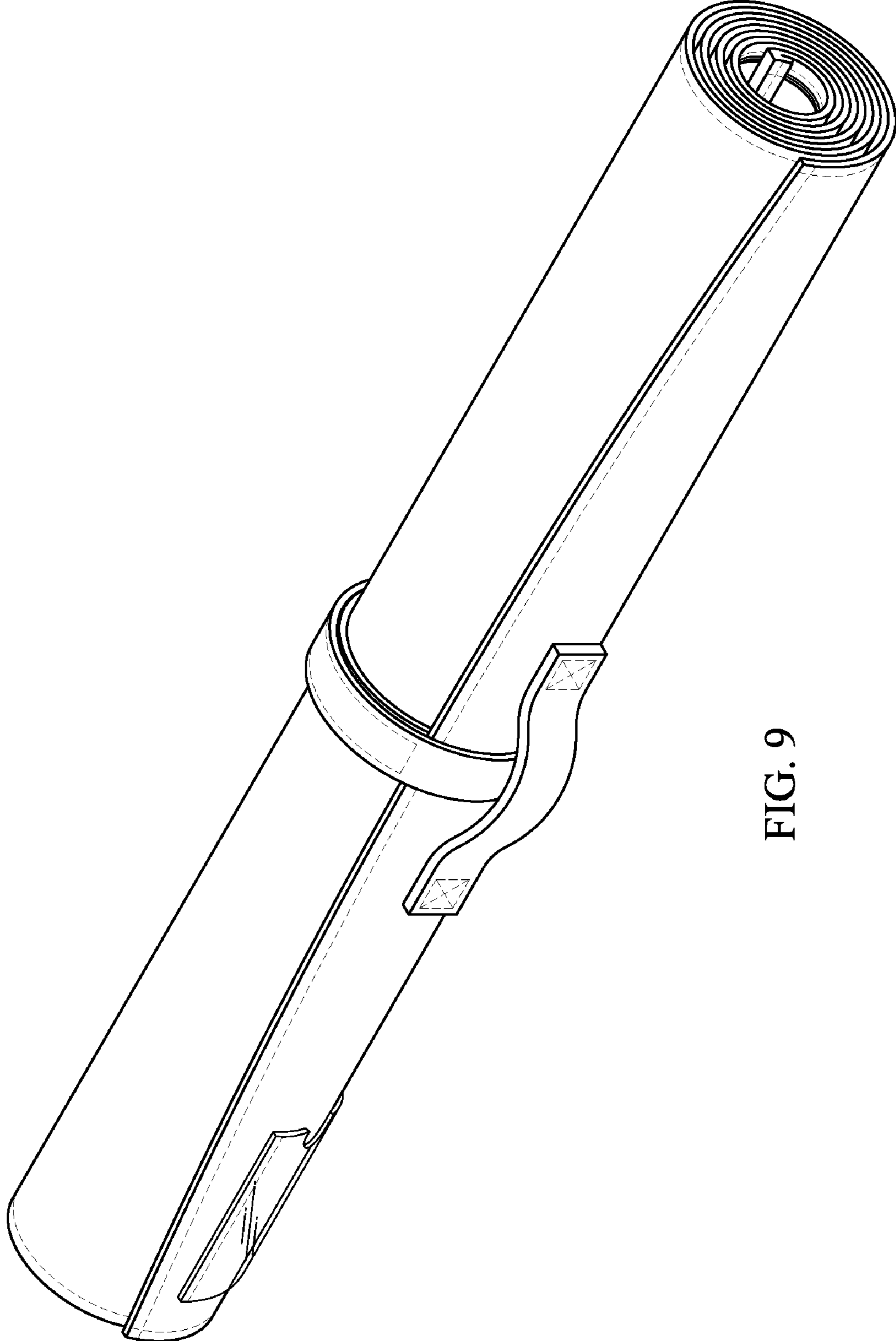


FIG. 9

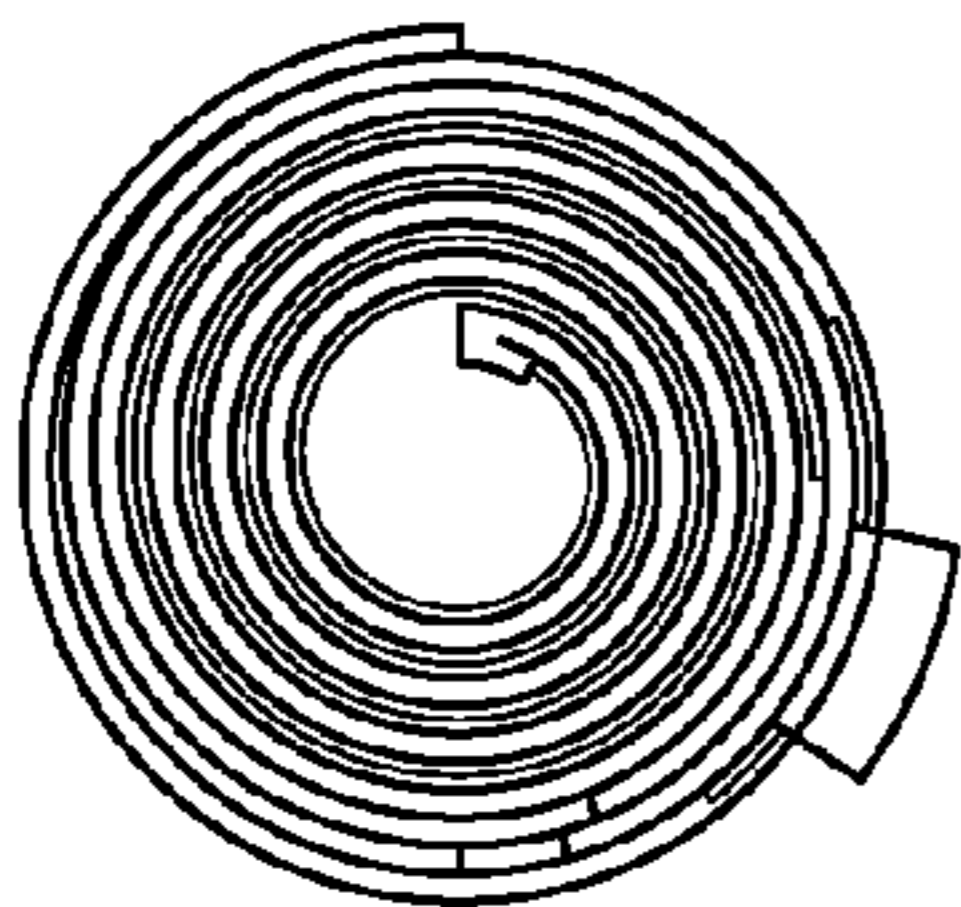


FIG. 10

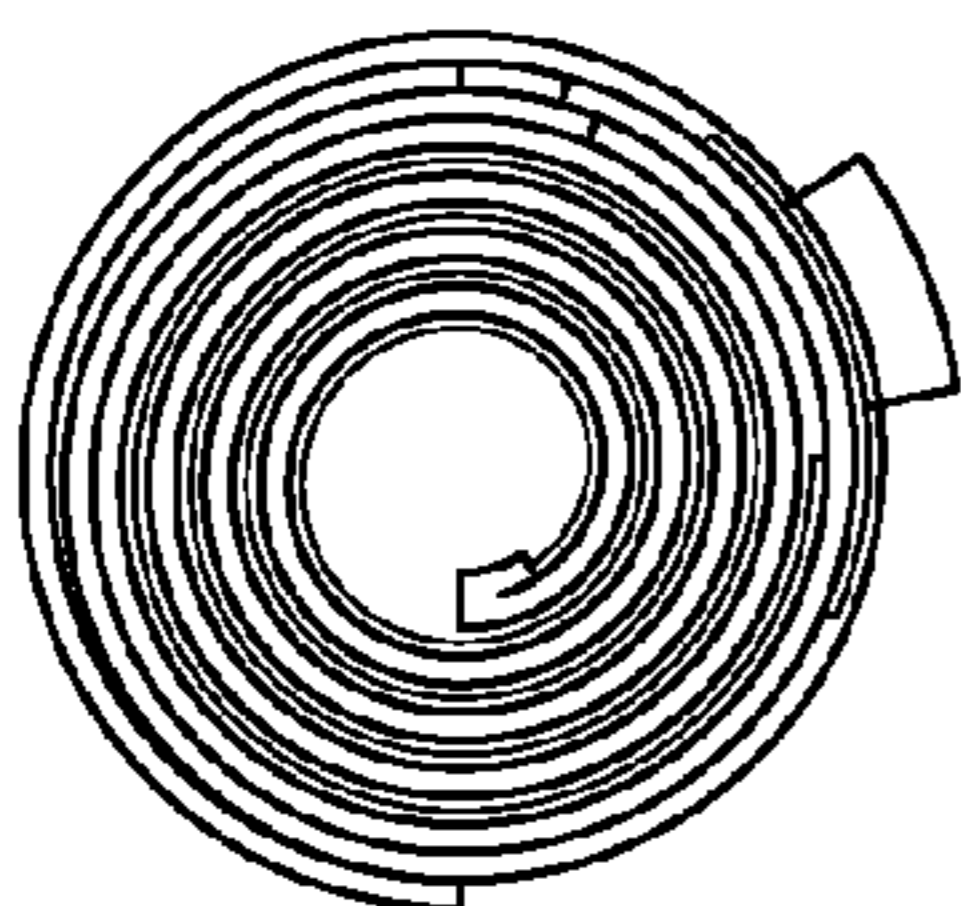


FIG. 11

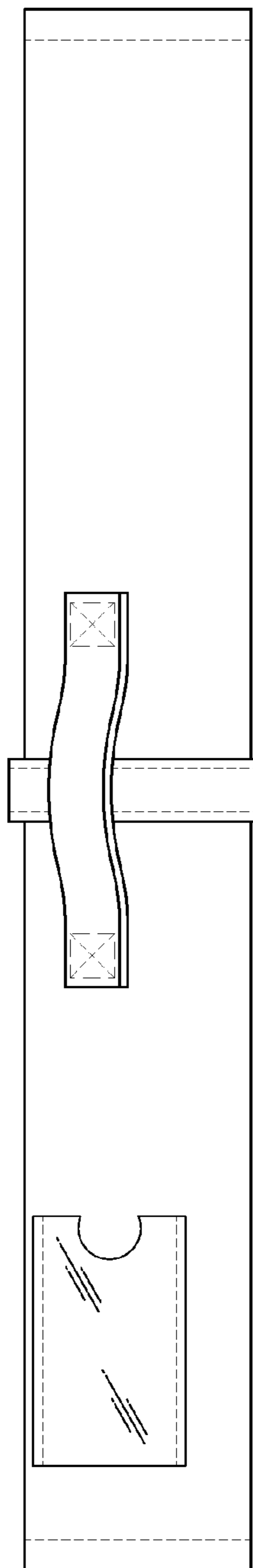


FIG. 12

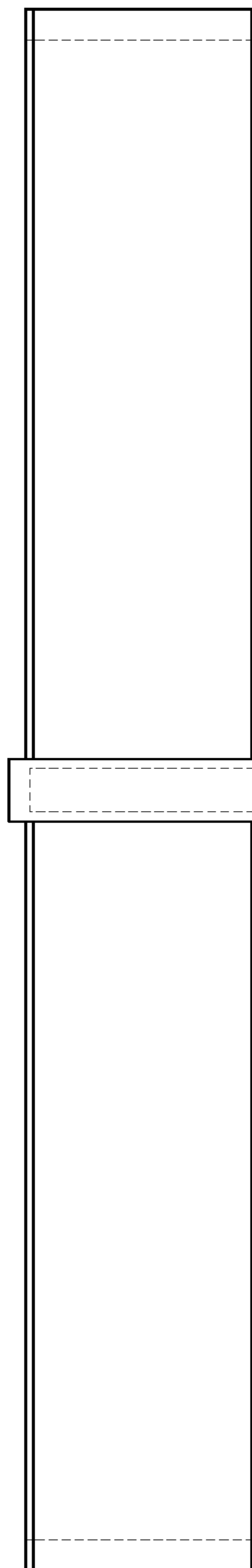


FIG. 13



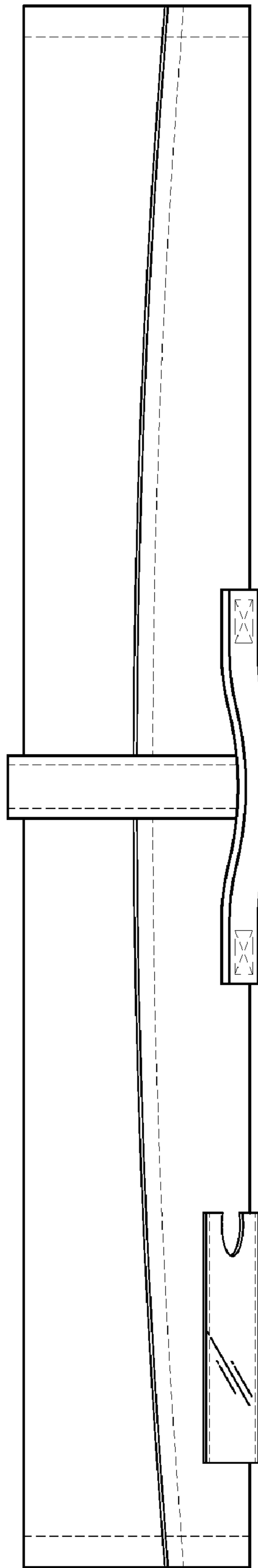


FIG. 14

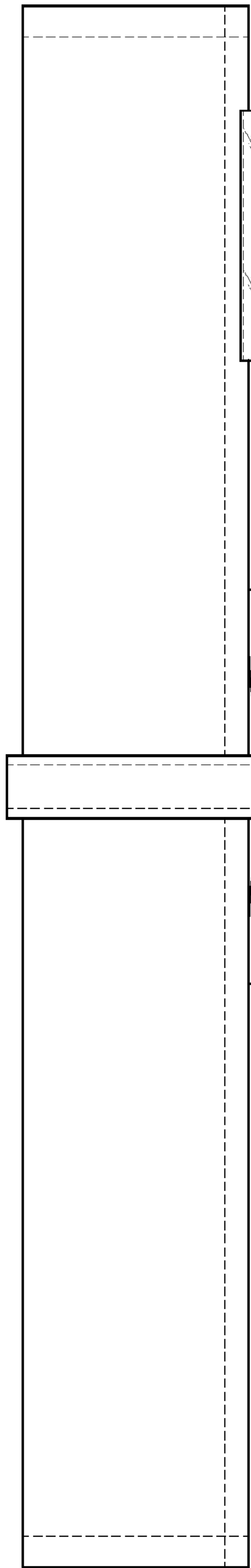


FIG. 15