



US00D603156S

(12) **United States Design Patent**
Higgins

(10) **Patent No.:** **US D603,156 S**

(45) **Date of Patent:** **** Nov. 3, 2009**

(54) **REFILLABLE PILL CARD FOR WALLET**

(76) Inventor: **John Higgins**, 1 Clocktower Pl., # 520,
Nashua, NH (US) 03060

(**) Term: **14 Years**

(21) Appl. No.: **29/301,429**

(22) Filed: **Mar. 3, 2008**

Related U.S. Application Data

(63) Continuation-in-part of application No. 10/663,931,
filed on Sep. 16, 2003, now abandoned, and a continu-
ation-in-part of application No. 10/663,961, filed on
Sep. 16, 2003, now Pat. No. 6,827,388.

(51) **LOC (9) Cl.** **03-01**

(52) **U.S. Cl.** **D3/203.1**

(58) **Field of Classification Search** D3/203.1,
D3/203.2, 203.3, 205, 294, 201, 203.6, 203.7;
206/530, 532, 533, 534, 535, 536, 537, 540,
206/531, 538; D28/5, 6, 83; D9/730-734
See application file for complete search history.

(56) **References Cited**

U.S. PATENT DOCUMENTS

D496,134 S * 9/2004 Lai D28/83
D513,863 S * 1/2006 Wahl et al. D3/203.2
D514,308 S * 2/2006 Wahl et al. D3/203.2

D574,606 S * 8/2008 Mühlhausen et al. D3/203.2

* cited by examiner

Primary Examiner—T. Chase Nelson

Assistant Examiner—Kathleen M Sims

(74) *Attorney, Agent, or Firm*—Lambert & Associates; Adam
J. Bruno; Gary E. Lambert

(57) **CLAIM**

The ornamental design for a refillable pill card for wallet, as
shown and described.

DESCRIPTION

FIG. 1 is a perspective view of the refillable pill card for wallet
with the doors in a closed position, showing my new design;

FIG. 2 is a front view thereof;

FIG. 3 is a side view thereof;

FIG. 4 is a top plan view thereof;

FIG. 5 is a bottom plan view thereof;

FIG. 6 is a front view with the doors in an open position;

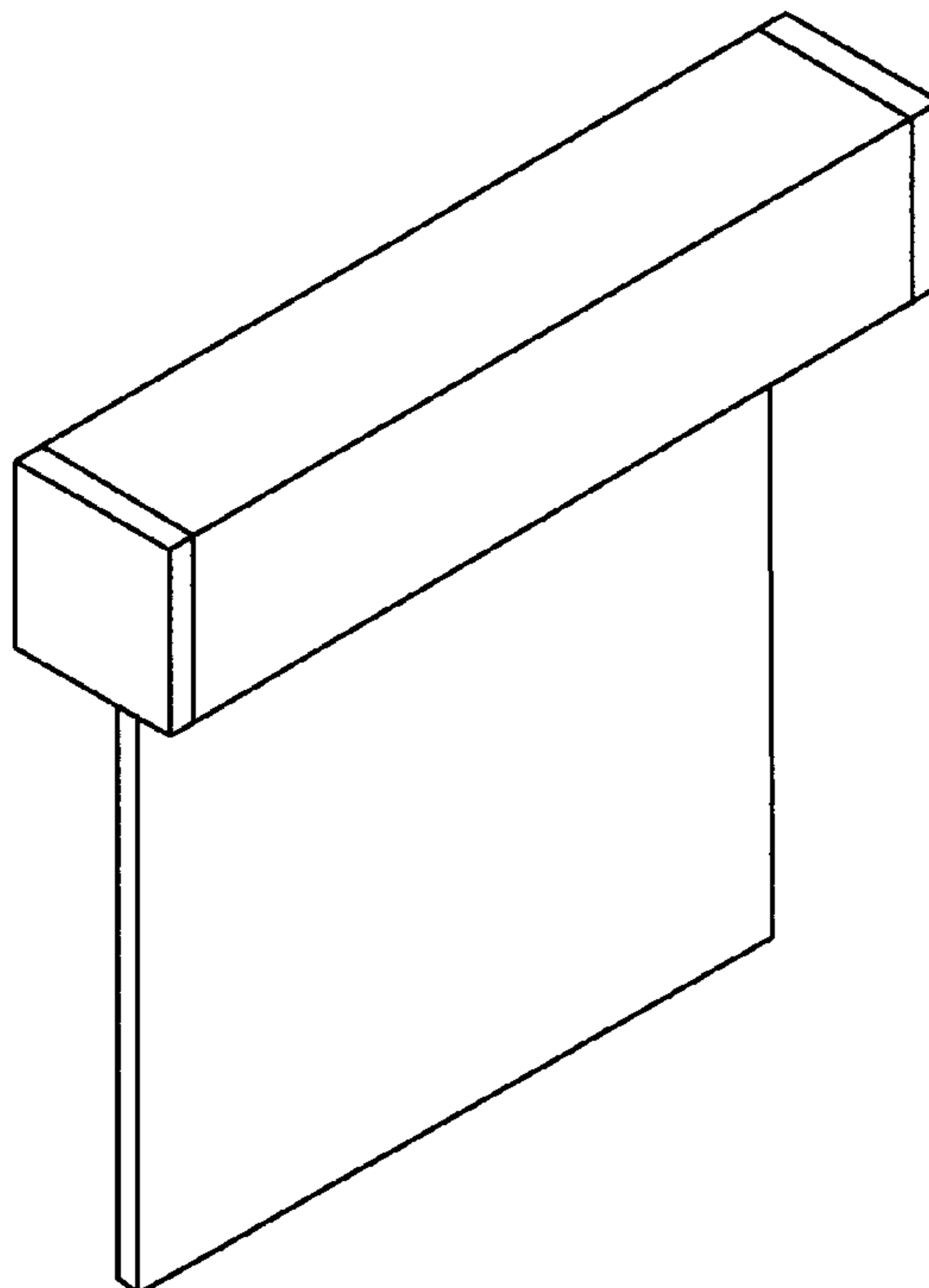
FIG. 7 is a side view thereof;

FIG. 8 is a top plan view thereof; and,

FIG. 9 is a bottom plan view thereof.

The area within the broken line boundaries of FIGS. 6 and 7
form no part of the claimed design.

1 Claim, 3 Drawing Sheets



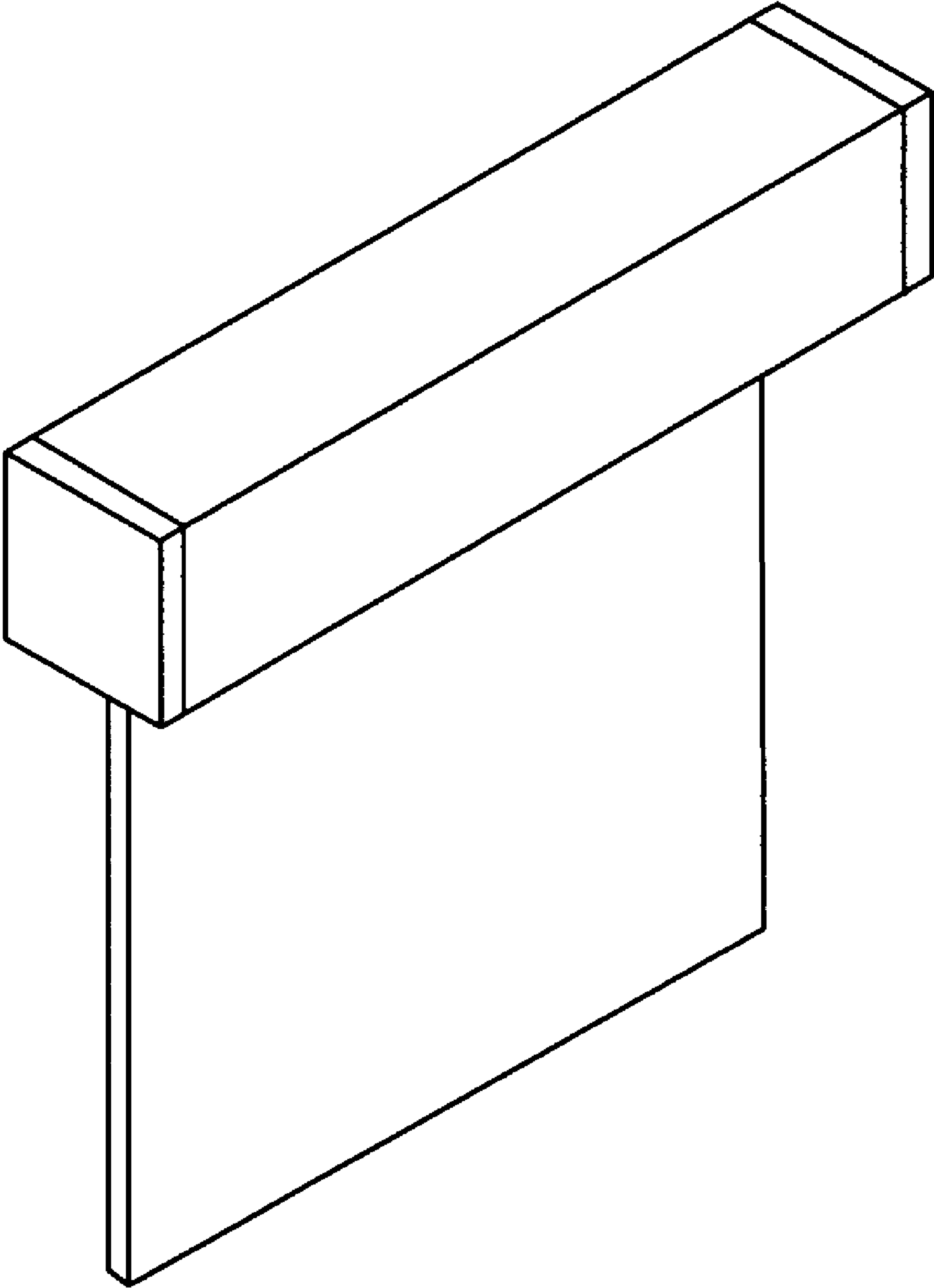


FIG. 1

FIG. 3



FIG. 2

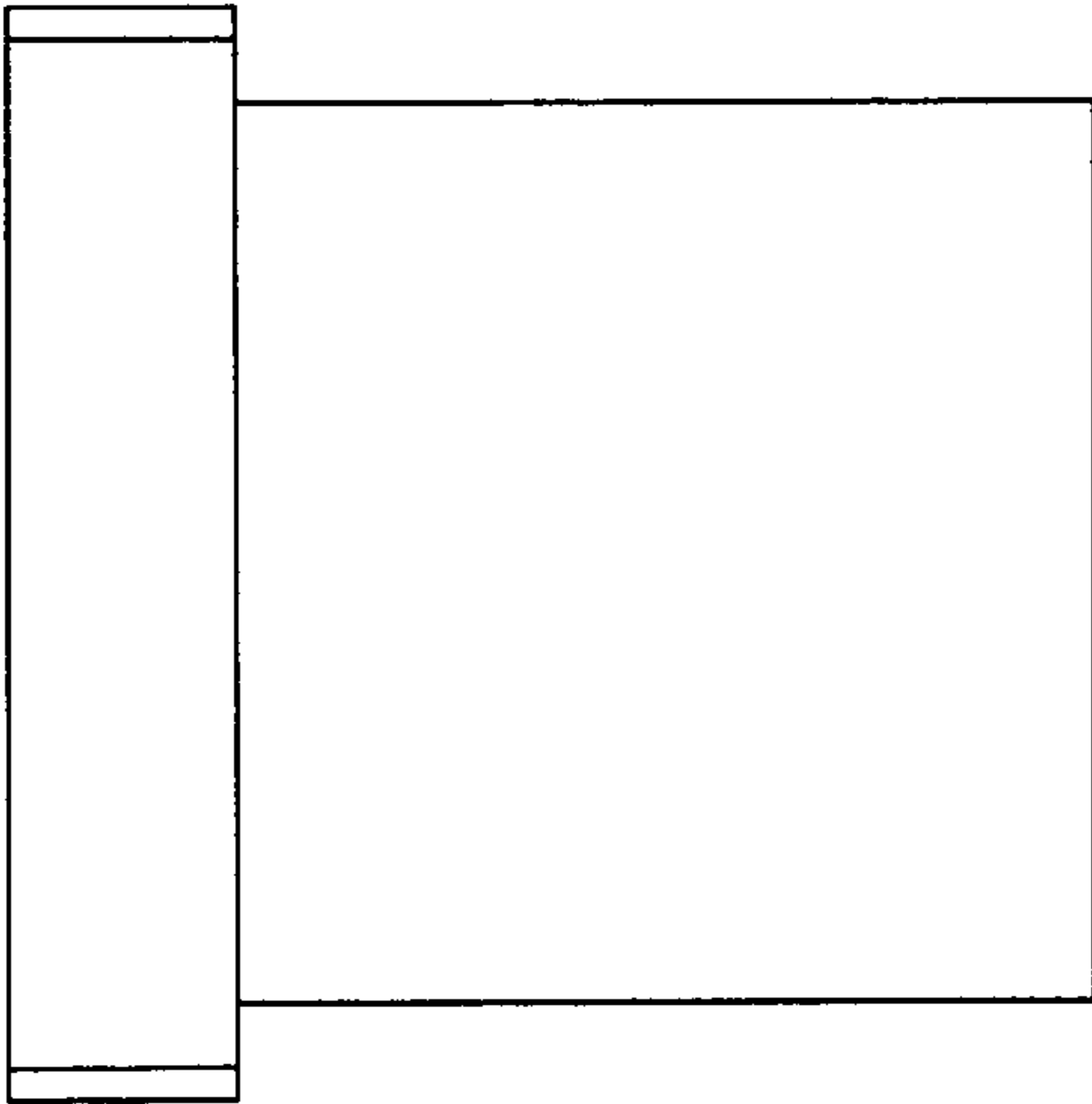


FIG. 4

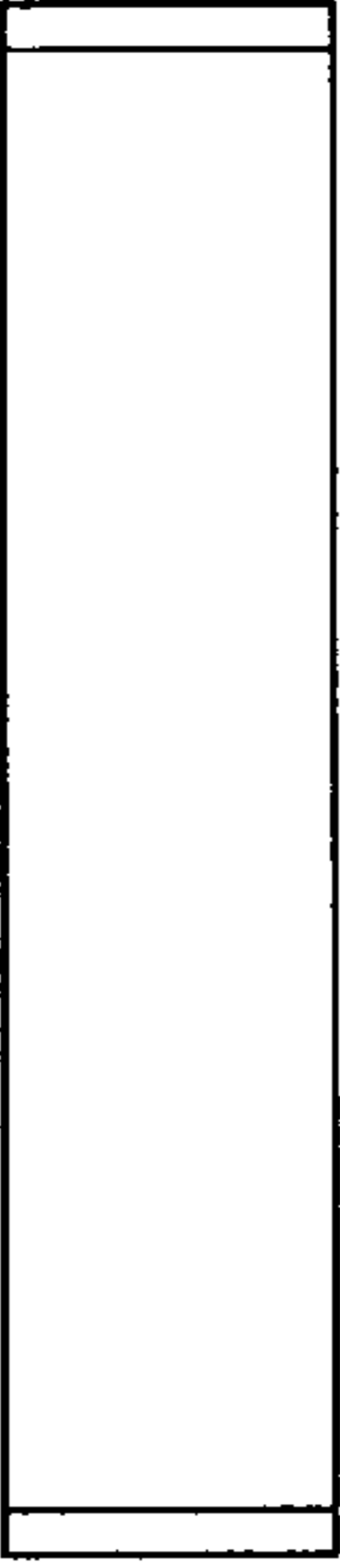


FIG. 5

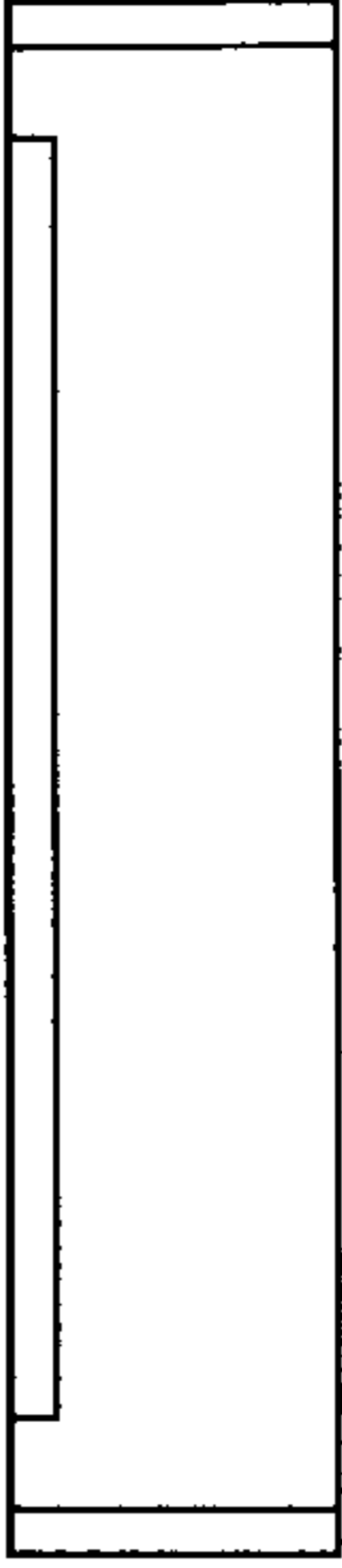


FIG. 7

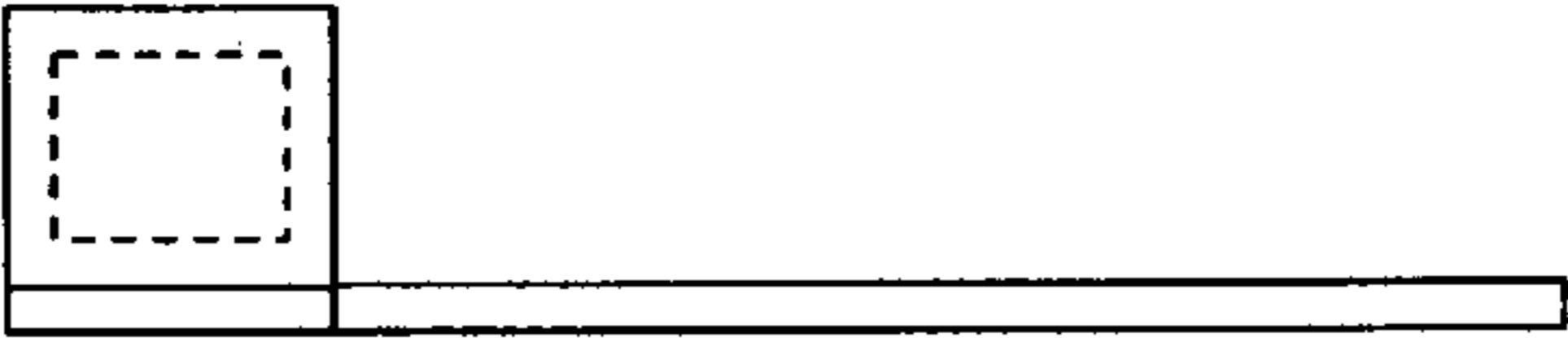


FIG. 6

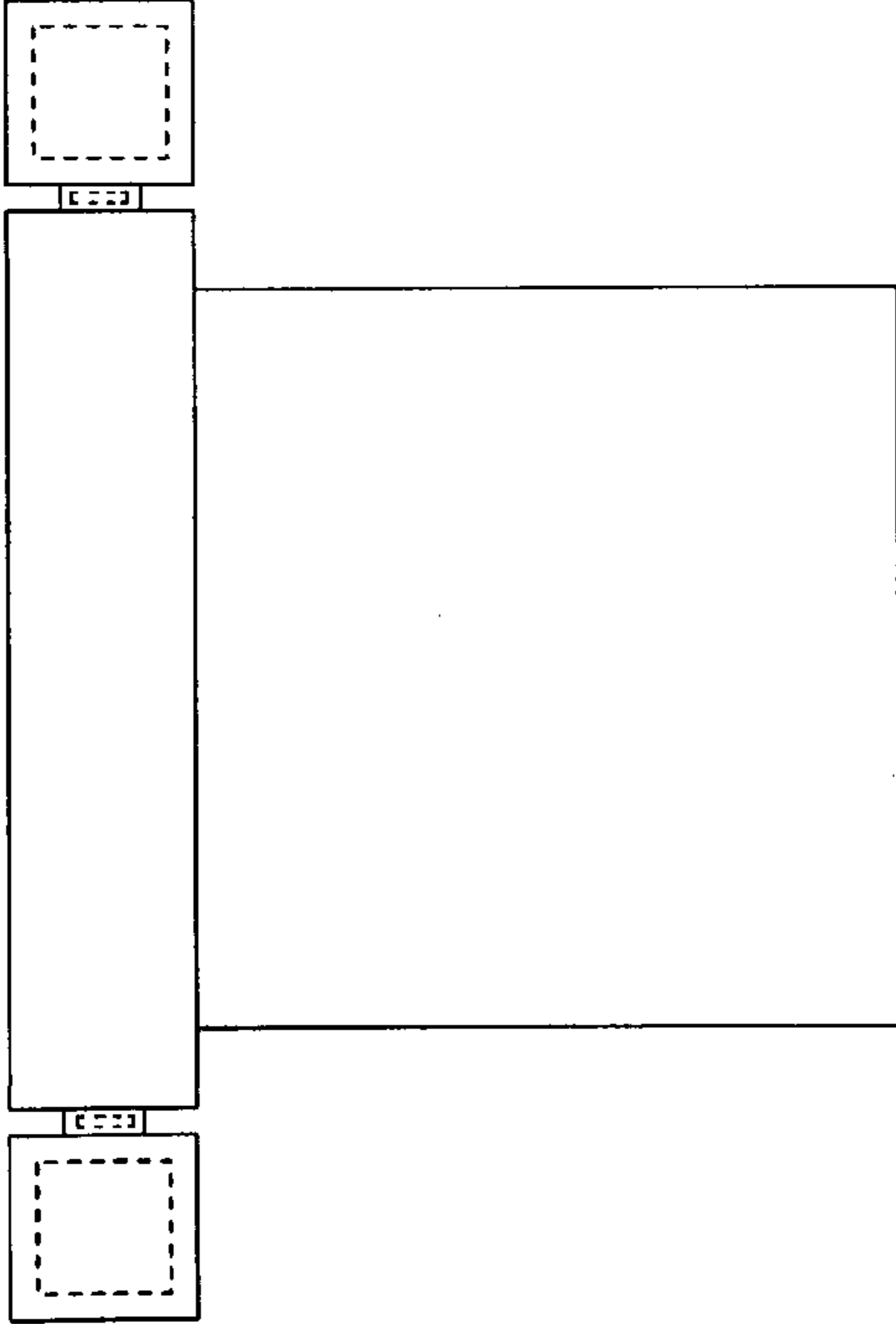


FIG. 8

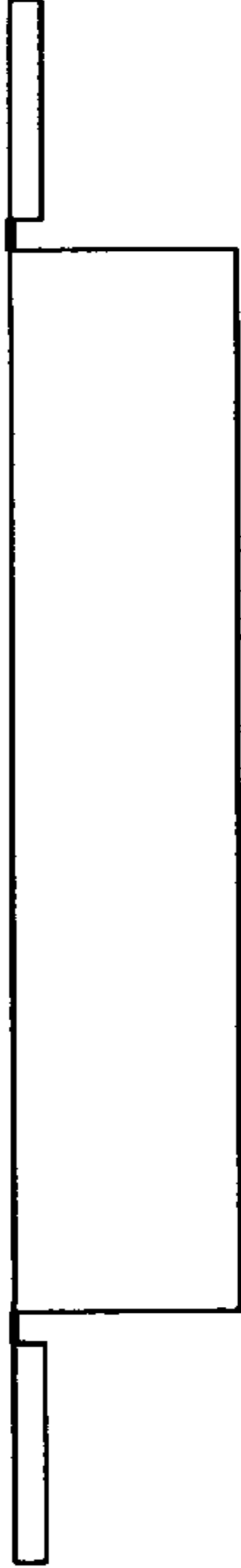


FIG. 9

