



US00D603146S

(12) **United States Design Patent**  
**Sellers et al.**

(10) **Patent No.:** **US D603,146 S**  
(45) **Date of Patent:** **\*\* Nov. 3, 2009**

(54) **SKI BOOT ATTACHMENT**

D277,899 S 3/1985 Hutchinson

(75) Inventors: **David R. Sellers**, 3305 County Road 96, Ward, CO (US) 80481; **Ravi K. Sawhney**, Calabasas, CA (US); **Kurt Botsai**, Thousand Oaks, CA (US); **Robb Englin**, Los Angeles, CA (US); **Lance G. Hussey**, Simi Valley, CA (US); **Toshi Aya**, Reseda, CA (US)

(Continued)

*Primary Examiner*—Stella M Reid  
*Assistant Examiner*—Rashida C McCoy  
(74) *Attorney, Agent, or Firm*—Daniel P. Dooley; Fellers, Snider, et al.

(73) Assignee: **David R. Sellers**, Ward, CO (US)

(\*\*) Term: **14 Years**

(21) Appl. No.: **29/266,545**

(22) Filed: **Sep. 22, 2006**

(51) **LOC (9) Cl.** ..... **02-04**

(52) **U.S. Cl.** ..... **D2/914**

(58) **Field of Classification Search** ..... D2/896,  
D2/904–906, 914, 915, 946, 951; 36/7.6,  
36/114, 115, 122, 132; 280/600

See application file for complete search history.

(56) **References Cited**

U.S. PATENT DOCUMENTS

3,964,761 A	6/1976	Syrovatka
3,965,586 A	6/1976	Roosli
3,971,144 A	7/1976	Brugger-Stuker
4,123,854 A	11/1978	Pasich
D250,796 S	1/1979	DeFever
4,156,316 A	5/1979	DeFever
4,199,880 A	4/1980	Frey
4,228,602 A	10/1980	Groves
4,269,430 A	5/1981	Eie
4,286,397 A	9/1981	Booty
4,291,473 A	9/1981	Sartor
D263,516 S	3/1982	Booty
4,403,789 A	9/1983	Hickey
4,461,104 A	7/1984	Calkin et al.

(57) **CLAIM**

The ornamental design for a ski boot attachment, as shown and described.

**DESCRIPTION**

FIG. 1 is a top plan view of a ski boot attachment, showing our new design;

FIG. 2 is a bottom plan view thereof;

FIG. 3 is a front elevation view thereof;

FIG. 4 is a back elevation view thereof;

FIG. 5 is a top perspective view thereof;

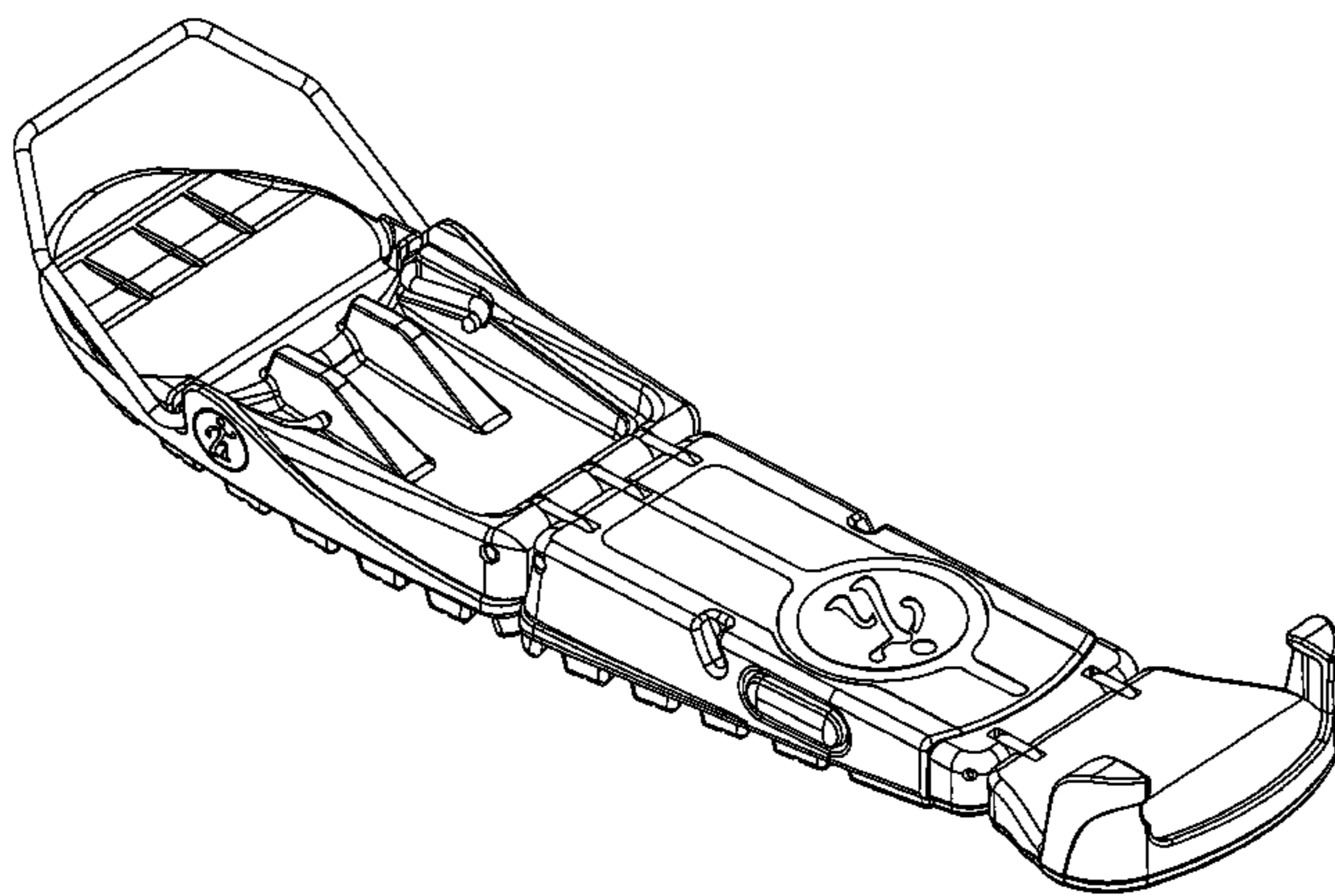
FIG. 6 is a right side elevation view thereof, shown in a partially folded state; and,

FIG. 7 is a side elevation view thereof, in an exemplarily use condition.

The broken lines of FIGS. 2, 3, 4, and 7 are included for the purpose of illustrating various exemplary structural features which the Applicant is disclaiming as forming a part of the claimed design. In particular, the broken line showing of the ski boot of FIG. 7 is included for the purpose illustrating environmental structure and form no part of the claimed design.

The various views of the claimed design shown by FIGS. 1–7 depict a symbol that is a registered trademark of David R. Sellers, registration No. 3,331,197, and is under an exclusive license to Walk-EZ International.

**1 Claim, 7 Drawing Sheets**



# US D603,146 S

Page 2

---

## U.S. PATENT DOCUMENTS

4,505,057 A	3/1985	Kiester	5,746,016 A	5/1998	Freisinger et al.
4,542,599 A	9/1985	Annovi	5,815,953 A	10/1998	Kaufman et al.
4,727,662 A	3/1988	Ilon	5,891,067 A	4/1999	Reed
4,774,775 A	10/1988	Pruitt	5,961,477 A	10/1999	Turtzo
4,836,571 A *	6/1989	Corbisiero ..... 280/600	6,044,578 A	4/2000	Kelz
4,843,672 A	7/1989	Fasse	6,277,087 B1	8/2001	Hess et al.
4,958,445 A	9/1990	Brisco	8,301,804	10/2001	Battaglia
D334,460 S *	4/1993	Roden ..... D2/914	6,361,514 B1	3/2002	Brown et al.
D340,123 S *	10/1993	Howey, Jr. .... D2/914	6,421,935 B1	7/2002	Bartlett
5,398,957 A *	3/1995	Leighton et al. .... 280/600	6,481,121 B1	11/2002	Tucker
D362,108 S *	9/1995	Leighton et al. .... D2/914	6,523,280 B1	2/2003	Lapointe
5,569,173 A	10/1996	Varn	6,772,542 B2 *	8/2004	Jacobson ..... 36/122
D377,710 S *	2/1997	Poust ..... D2/914	2002/0189133 A1	12/2002	Parisotto et al.

\* cited by examiner

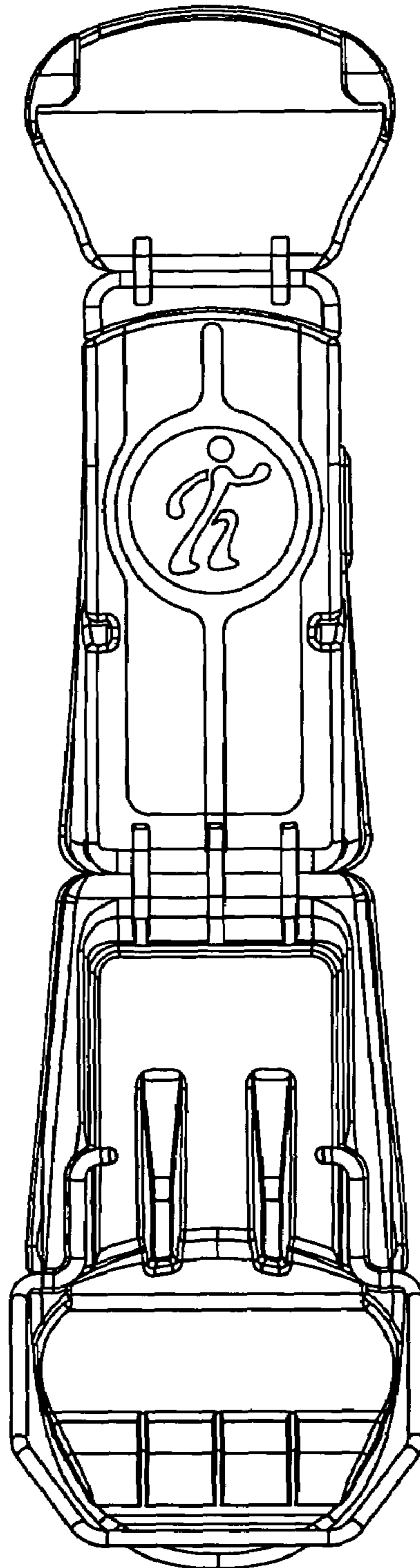


FIG. 1

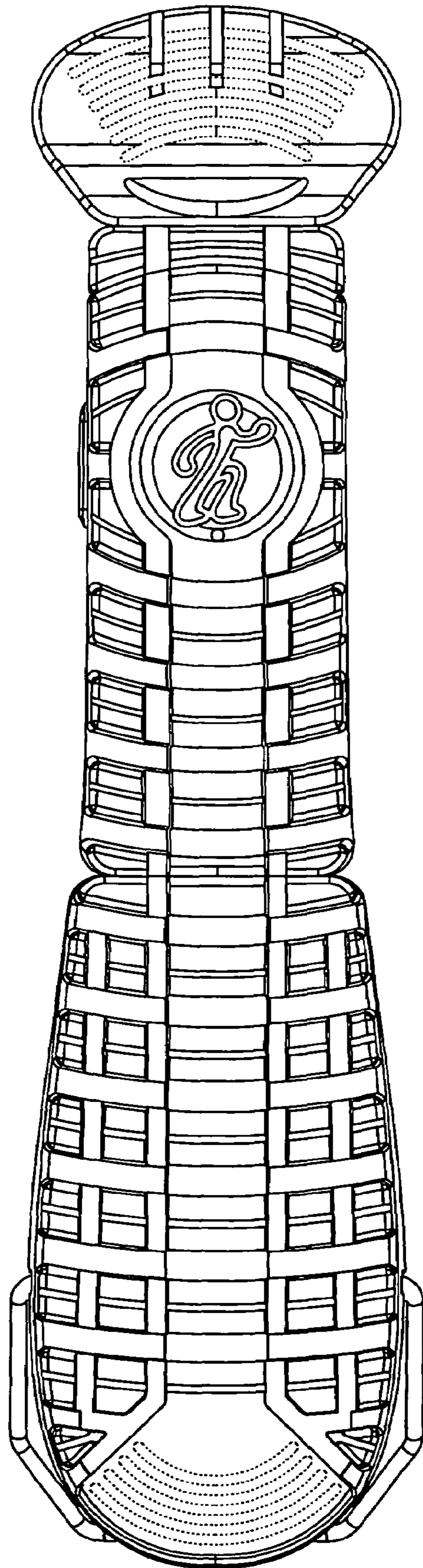


FIG. 2



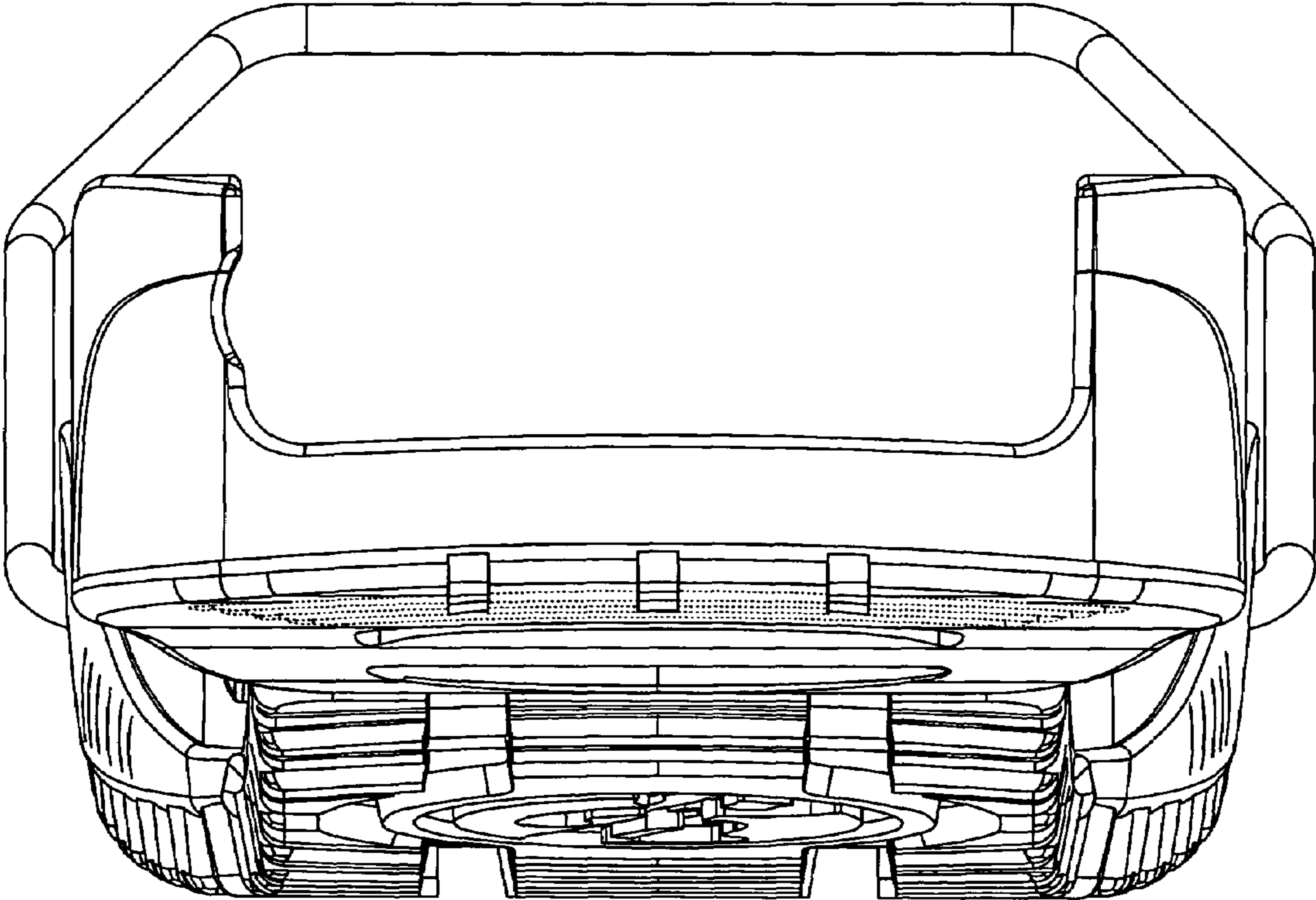


FIG. 3

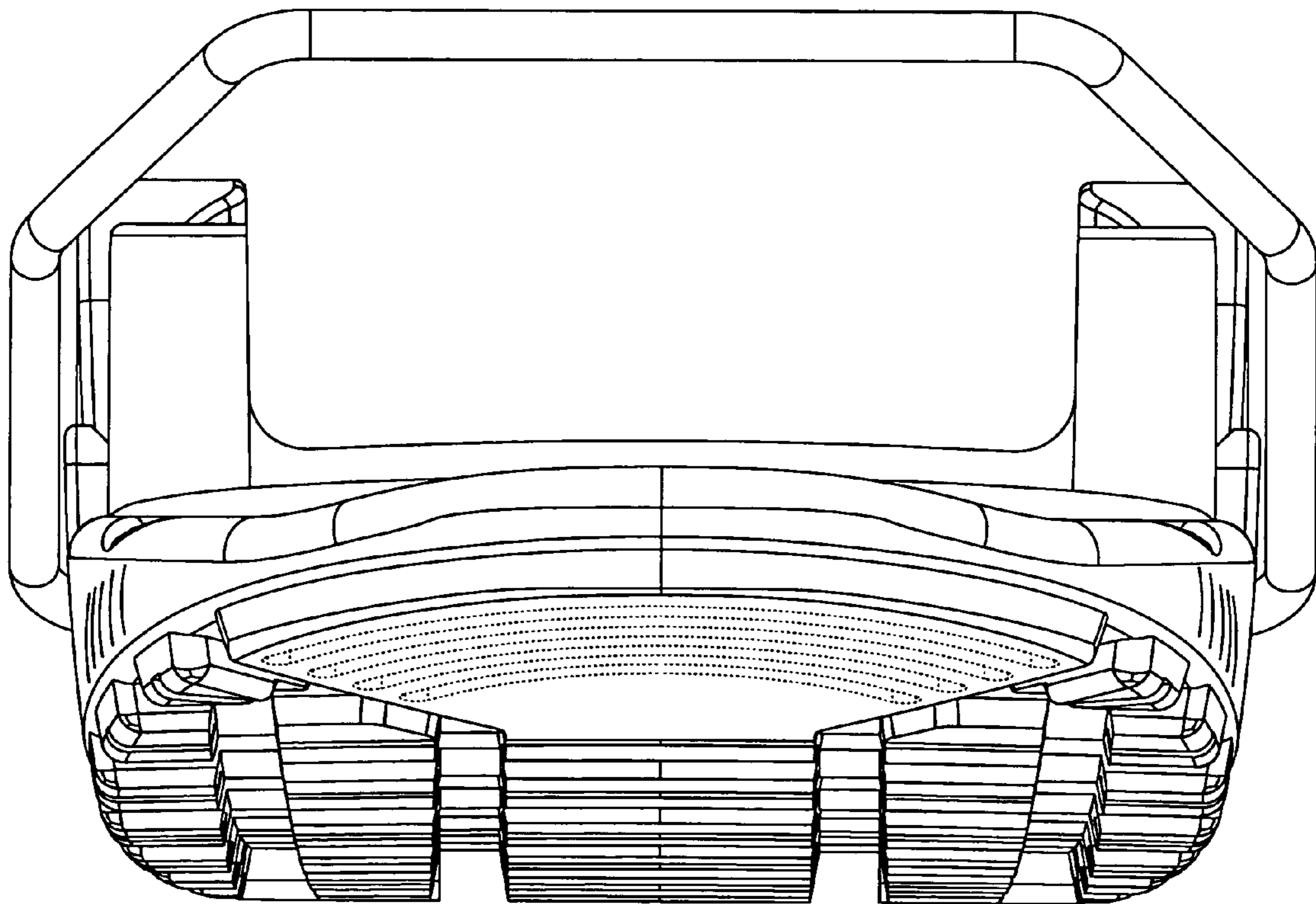


FIG. 4

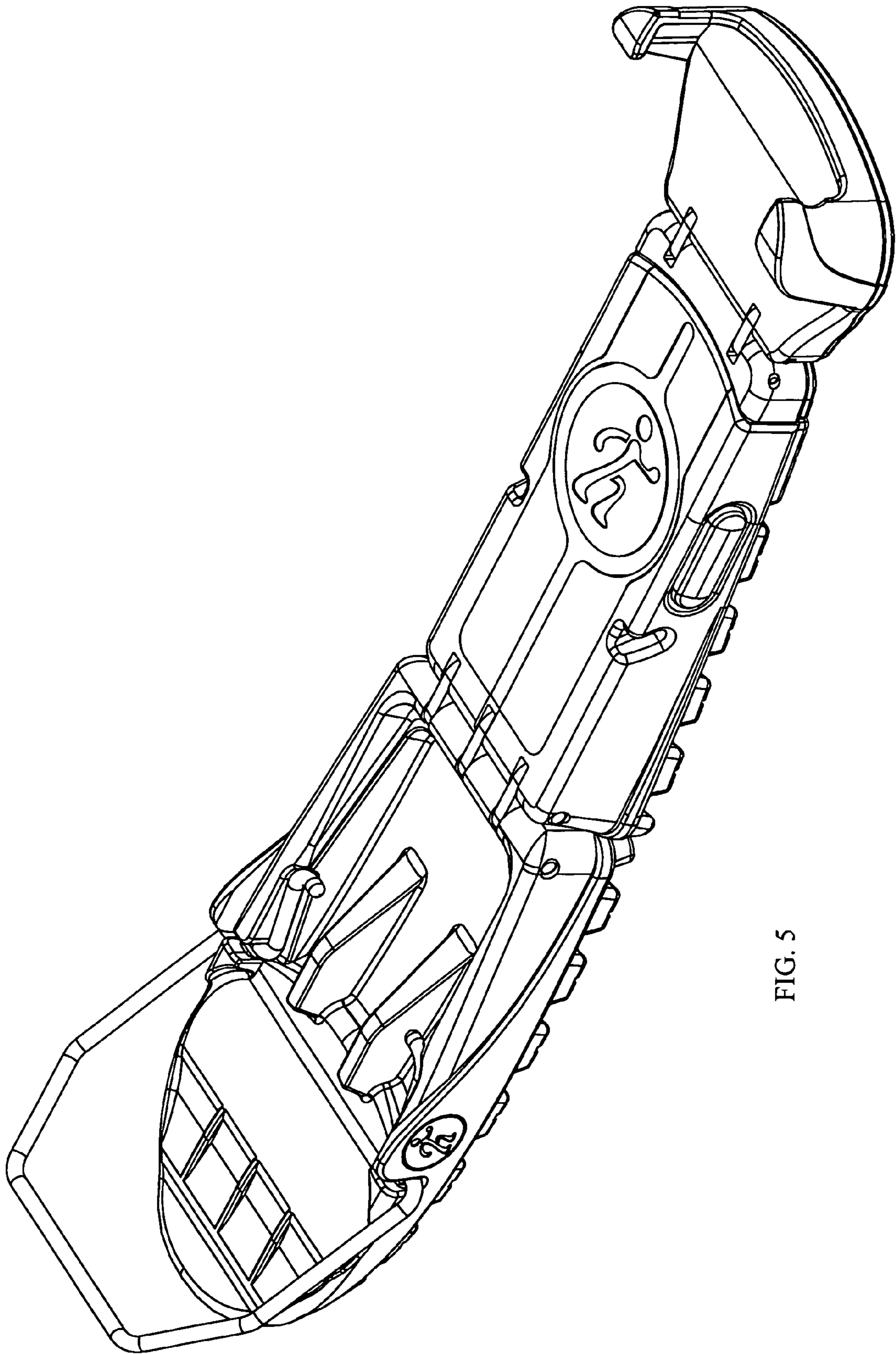


FIG. 5

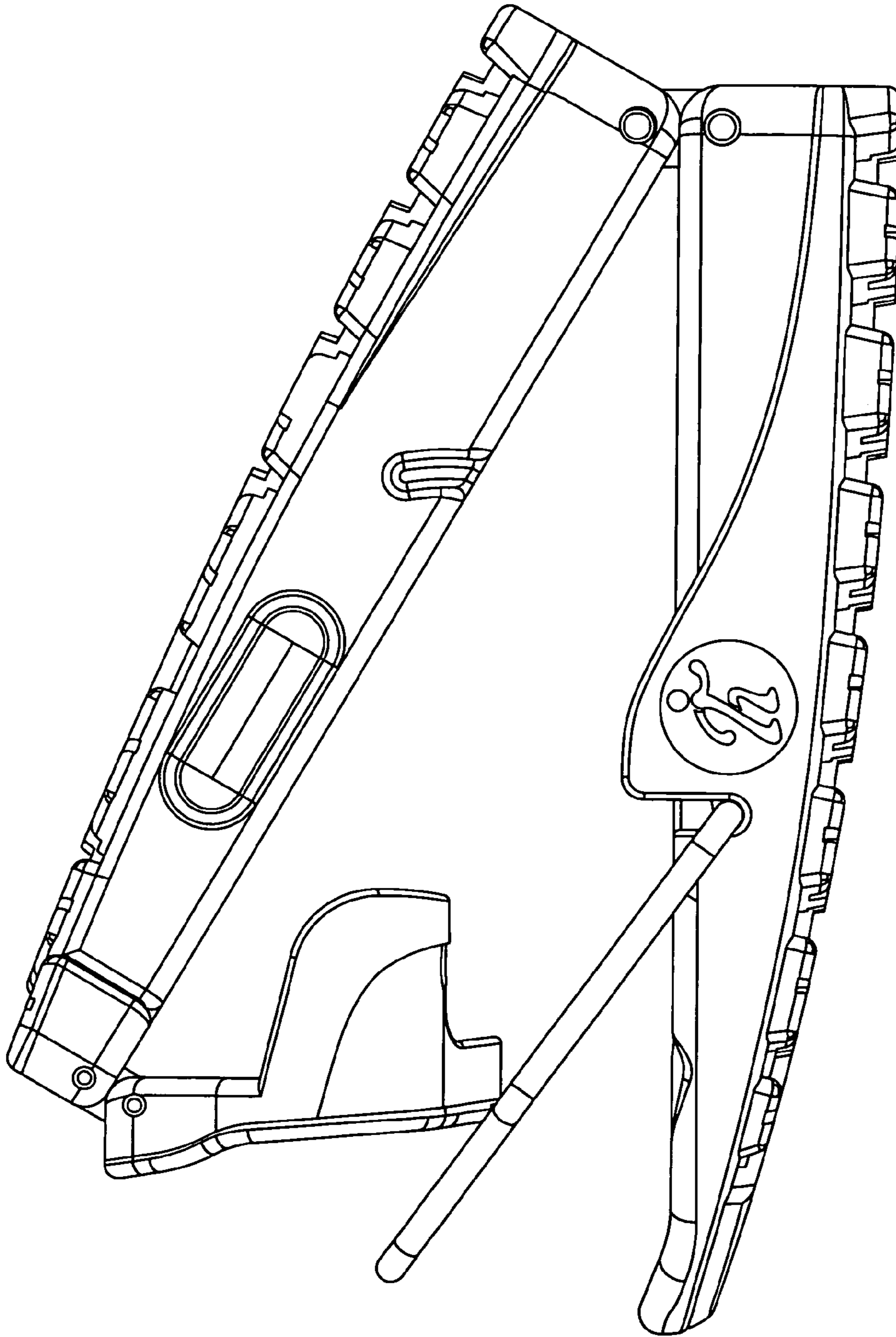


FIG. 6



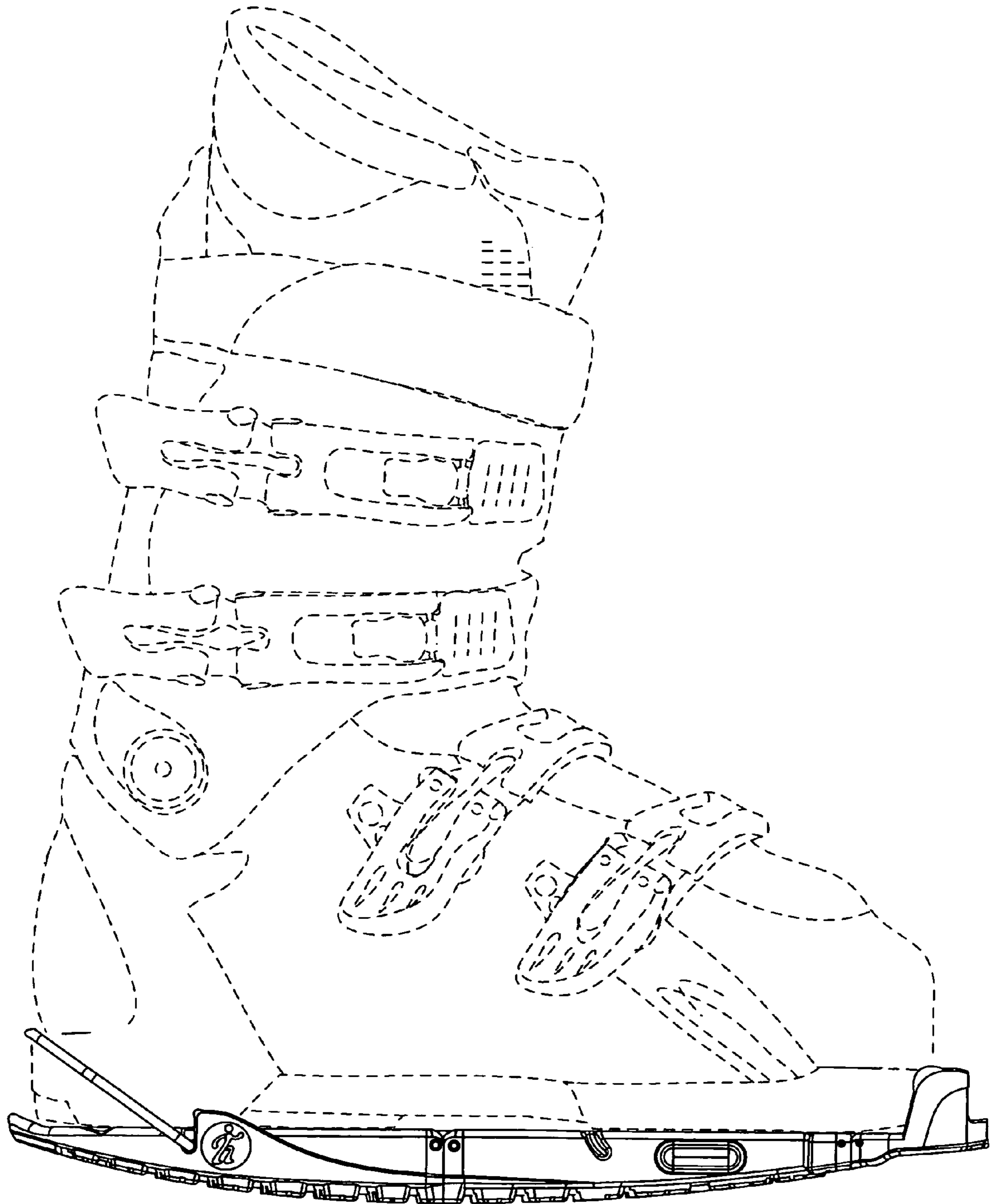


FIG. 7