



US00D603144S

(12) **United States Design Patent**
South

(10) **Patent No.:** **US D603,144 S**
(45) **Date of Patent:** **** Nov. 3, 2009**

- (54) **CAP WITH EXTENDABLE INTERIOR FLAP**
- (76) Inventor: **Brian Daniel South**, 1581 S. 930 West, Payson, UT (US) 84651
- (**) Term: **14 Years**
- (21) Appl. No.: **29/302,733**
- (22) Filed: **Jan. 23, 2008**
- (51) **LOC (9) Cl.** **02-03**
- (52) **U.S. Cl.** **D2/882**
- (58) **Field of Classification Search** D2/865, D2/870, 871, 872, 873, 875, 876, 878, 879, D2/882, 884, 886, 893, 888; 2/171, 171.1, 2/171.4, 171.5, 175.3, 184, 195.1, 195.2, 2/195.3, 195.4, 195.7, 200.1, 200.2, 209.11, 2/209.12, 209.13, 209.3, 209.7
See application file for complete search history.

(56) **References Cited**

U.S. PATENT DOCUMENTS

D312,526	S	*	12/1990	Rohmig	D2/824
D358,474	S	*	5/1995	Dunlavey	D2/866
D367,156	S	*	2/1996	Dunlavey	D2/866
D372,353	S	*	8/1996	Pfefferman	D2/866
D397,239	S	*	8/1998	Marrs	D2/882
D419,282	S	*	1/2000	Nickle et al.	D2/891
D421,519	S	*	3/2000	Secrest	D2/882
D422,398	S	*	4/2000	Jones	D2/869
D429,404	S	*	8/2000	DeChambeau	D2/866
6,115,844	A	*	9/2000	Cho	2/181
D444,292	S	*	7/2001	Wang	D2/882
6,311,331	B1	*	11/2001	Park	2/195.1
D455,538	S	*	4/2002	Rhoden	D2/882
7,120,937	B2	*	10/2006	Monshouwer	2/171
D546,031	S	*	7/2007	Pearson et al.	D2/876
2002/0095715	A1	*	7/2002	Hong	2/209.11
2006/0117459	A1	*	6/2006	Miller	2/195.1

OTHER PUBLICATIONS

The Change Cap, as shown on www.creativemagic.net, viewed Dec. 3, 2008 (2 pages).*

A review of The Change Cap, on www.magicity.com, dated Jan. 29, 2007 (1 page).*

* cited by examiner

Primary Examiner—Elizabeth A Albert
Assistant Examiner—Karen E Eldridge Powers
 (74) *Attorney, Agent, or Firm*—TraskBritt, PC

(57) **CLAIM**

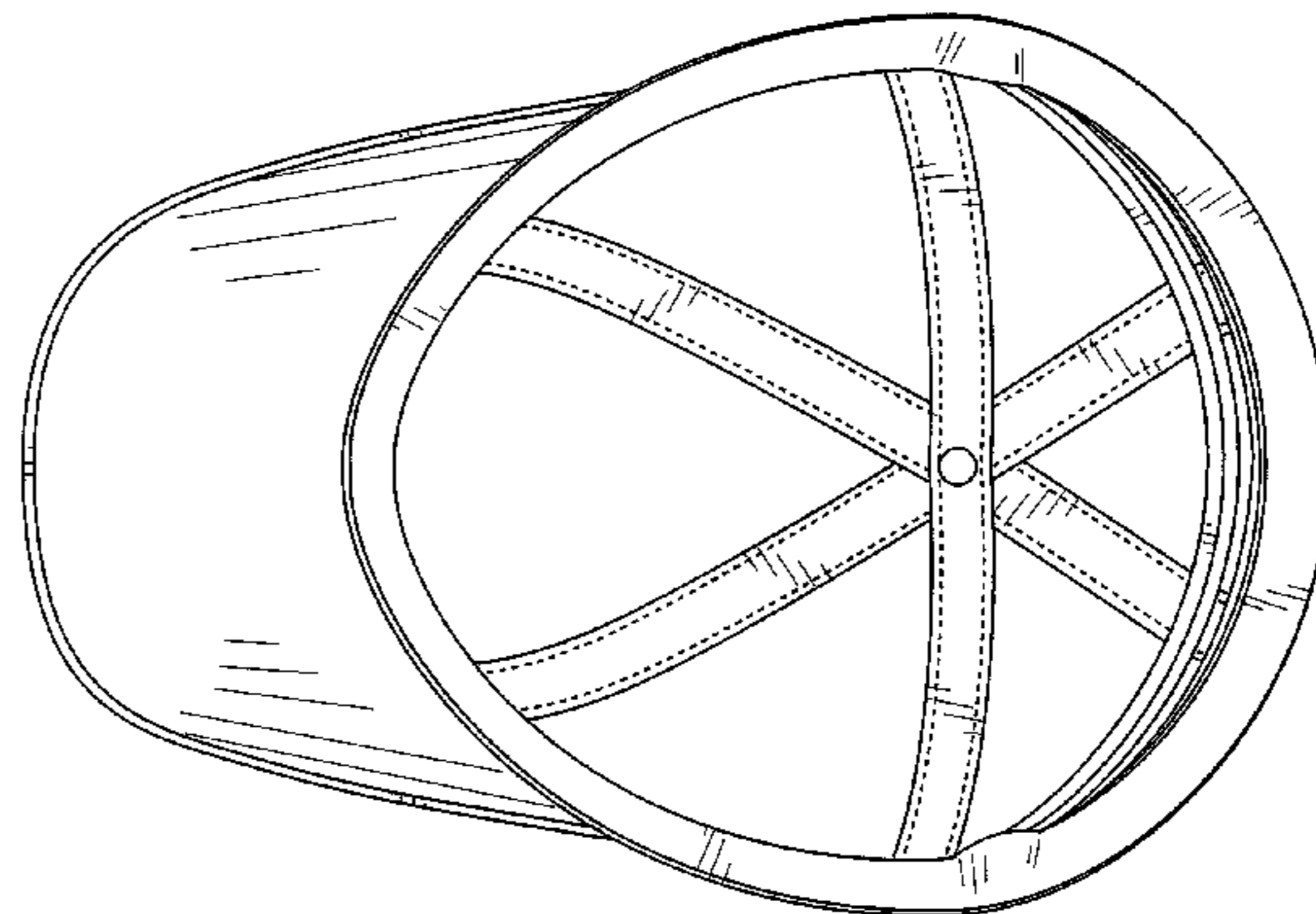
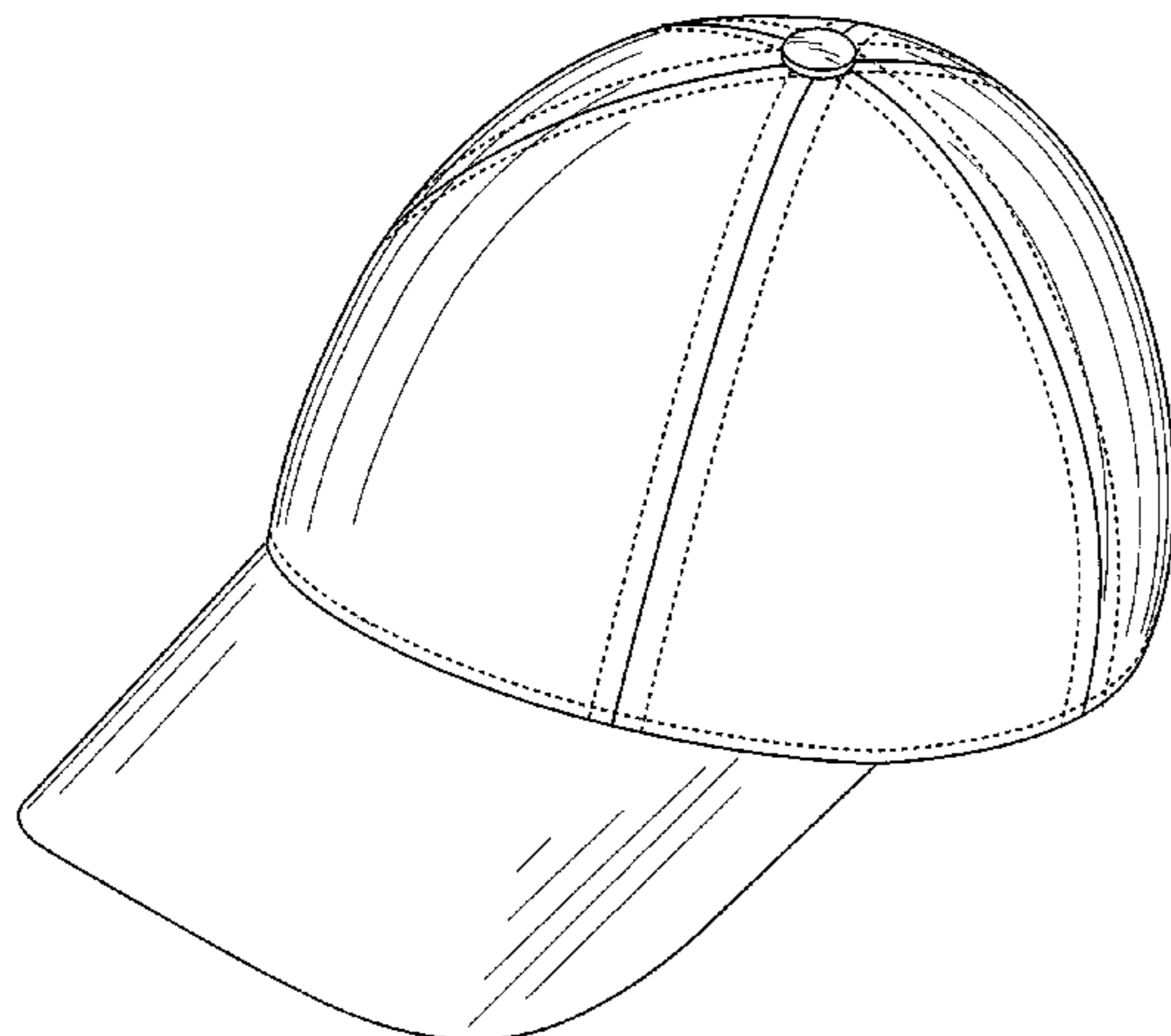
The ornamental design for a cap with an extendable interior flap, as shown and described.

DESCRIPTION

FIG. 1 is a perspective view of the cap with extendable interior flap, for forming a hidden compartment;
 FIG. 2 is a side view of the cap with extendable interior flap shown in FIG. 1;
 FIG. 3 is an opposite side view of the cap with extendable interior flap shown in FIG. 1;
 FIG. 4 is a front view of the cap with extendable interior flap shown in FIG. 1;
 FIG. 5 is a rear view of the cap with extendable interior flap shown in FIG. 1;
 FIG. 6 is a top view of the cap with extendable interior flap shown in FIG. 1;
 FIG. 7 is a bottom view of the cap with extendable flap shown in FIG. 1, with the flap in a first position, covering a rear portion of the interior of the cap;
 FIG. 8 is another bottom view of the cap shown in FIG. 1, with a rear edge of the flap spaced apart from the rear portion of the interior band of the cap with extendable flap;
 FIG. 9 is another bottom view of the cap shown in FIG. 1, with the flap in an intermediate position between the rear portion of the interior band of the cap with extendable flap and the front portion thereof, the deformation of the crown comprising a temporary change in shape caused by a shift in the position of the flap; and,
 FIG. 10 is another bottom view of the cap with extendable flap shown in FIG. 1 in a second position, covering a front portion of the interior of the cap with extendable flap.

The broken lines in the drawings represent stitching and form a part of the claimed design.

1 Claim, 6 Drawing Sheets



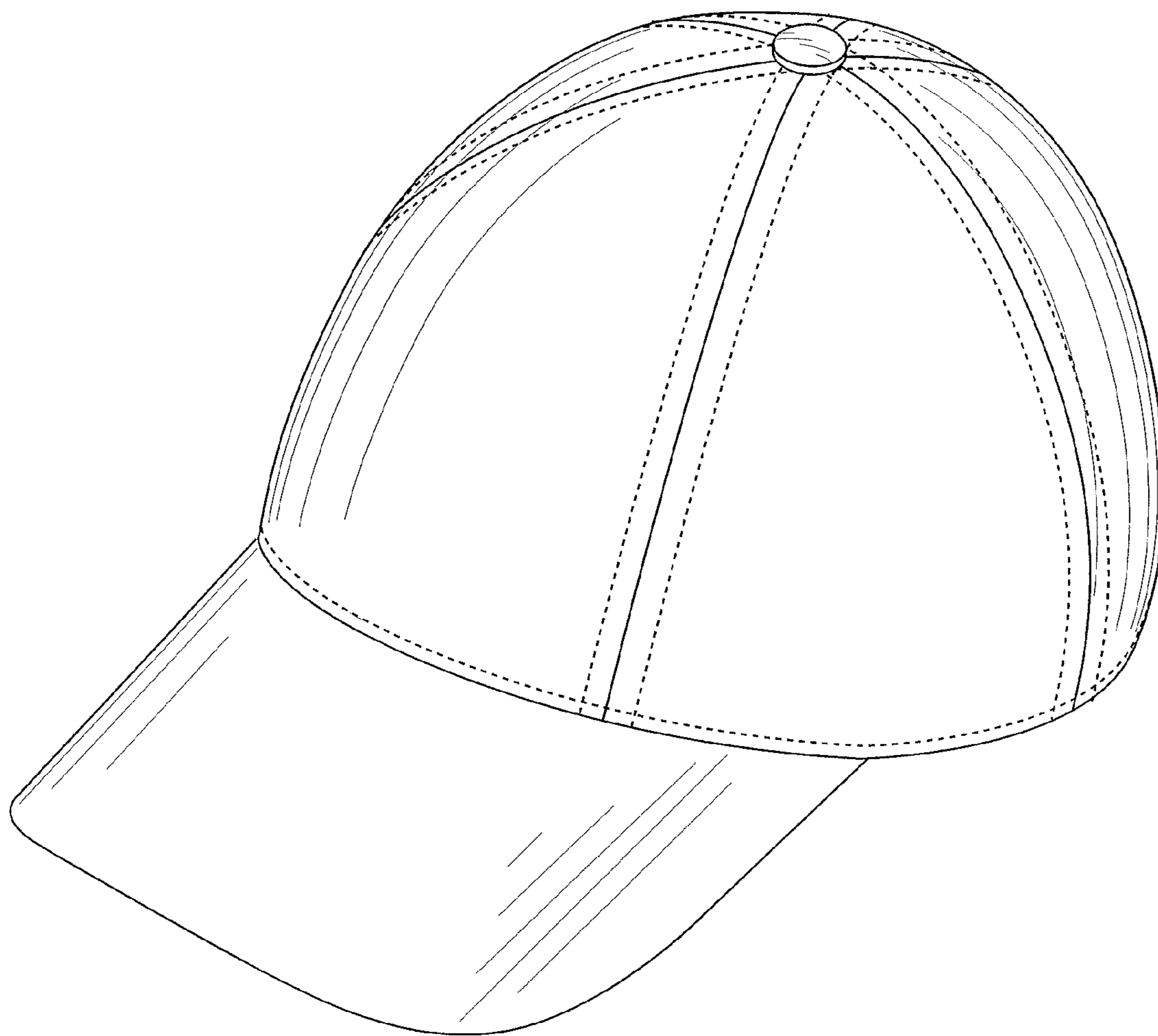


FIG. 1

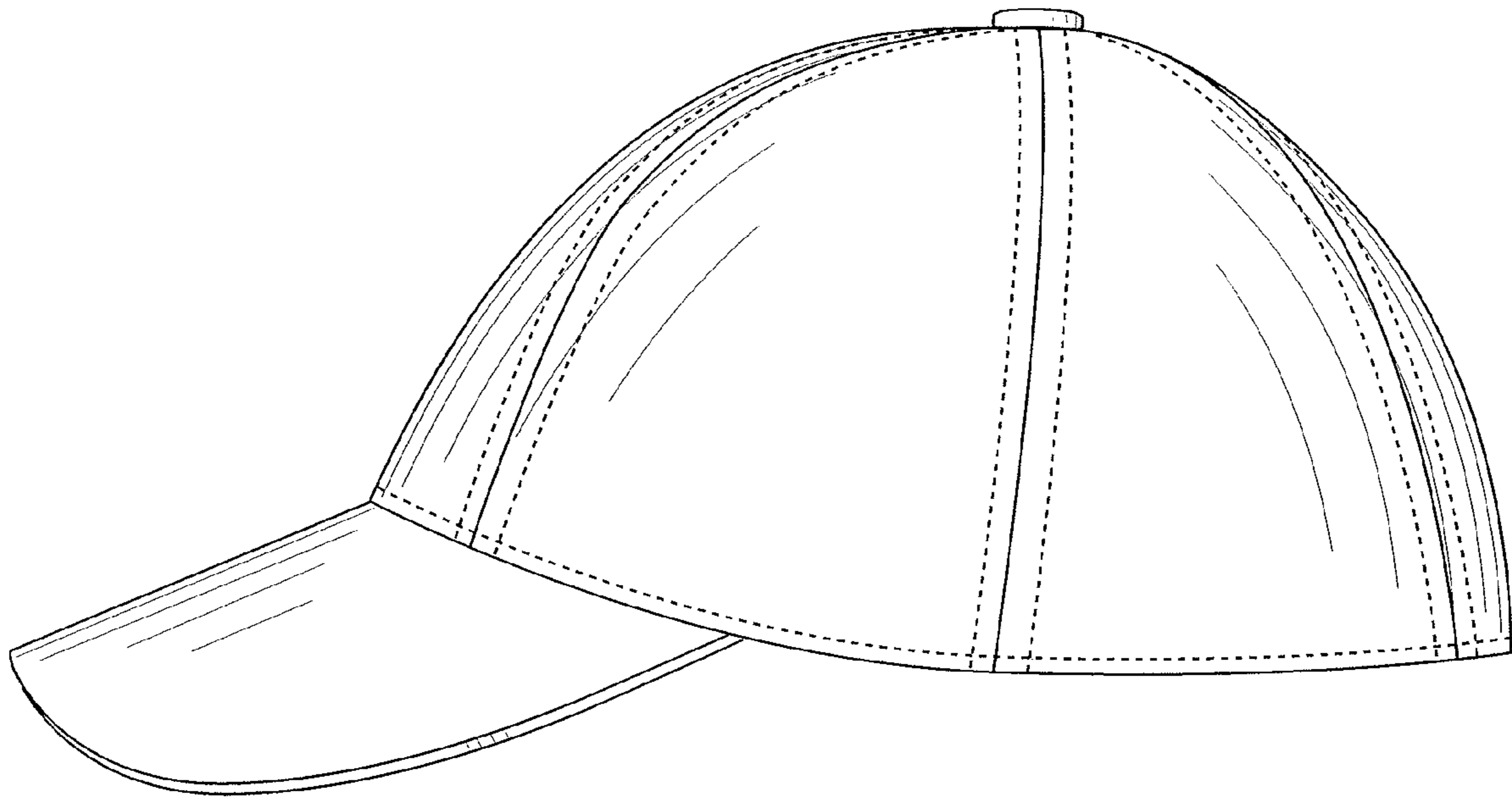


FIG. 2

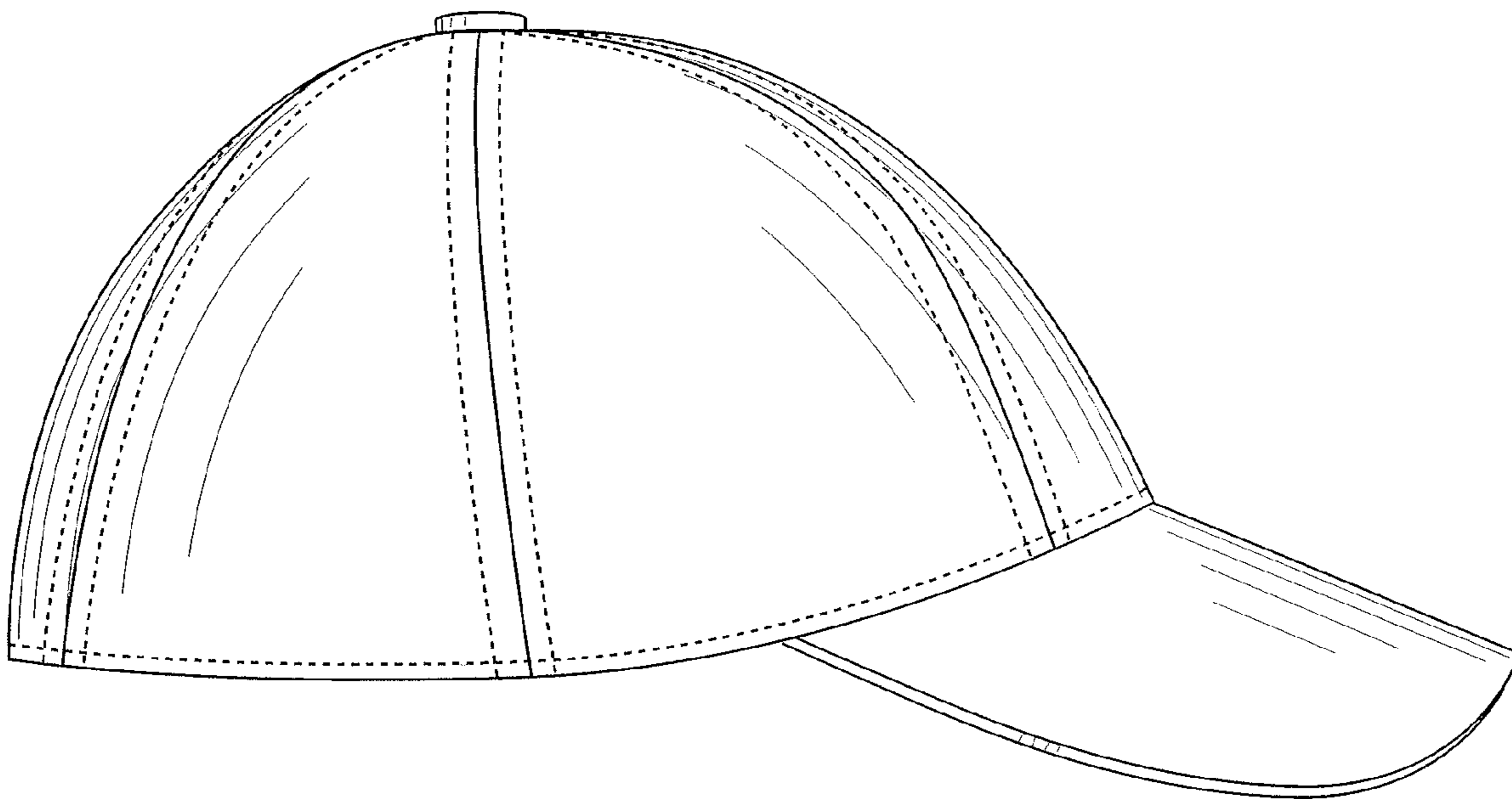


FIG. 3

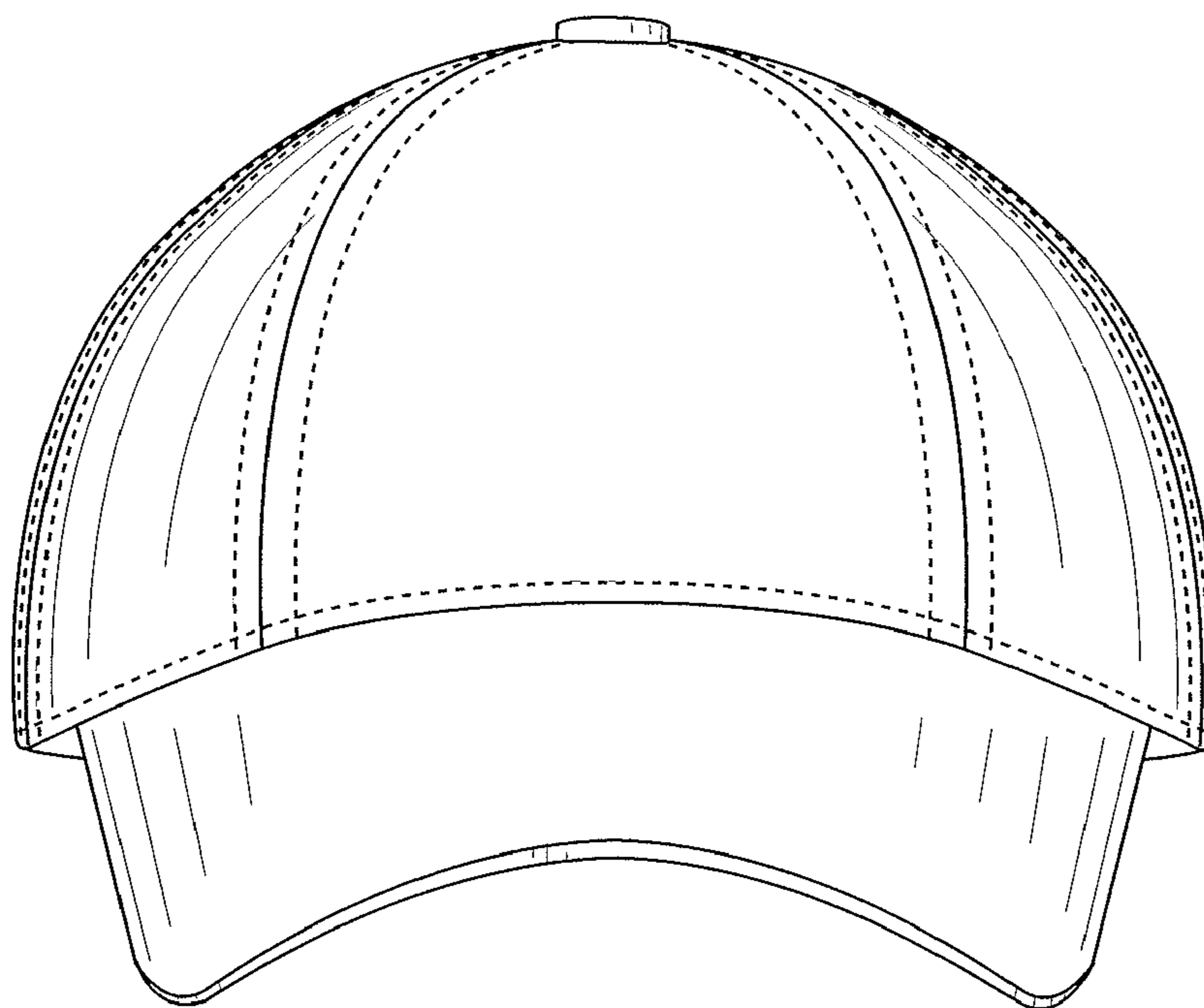


FIG. 4

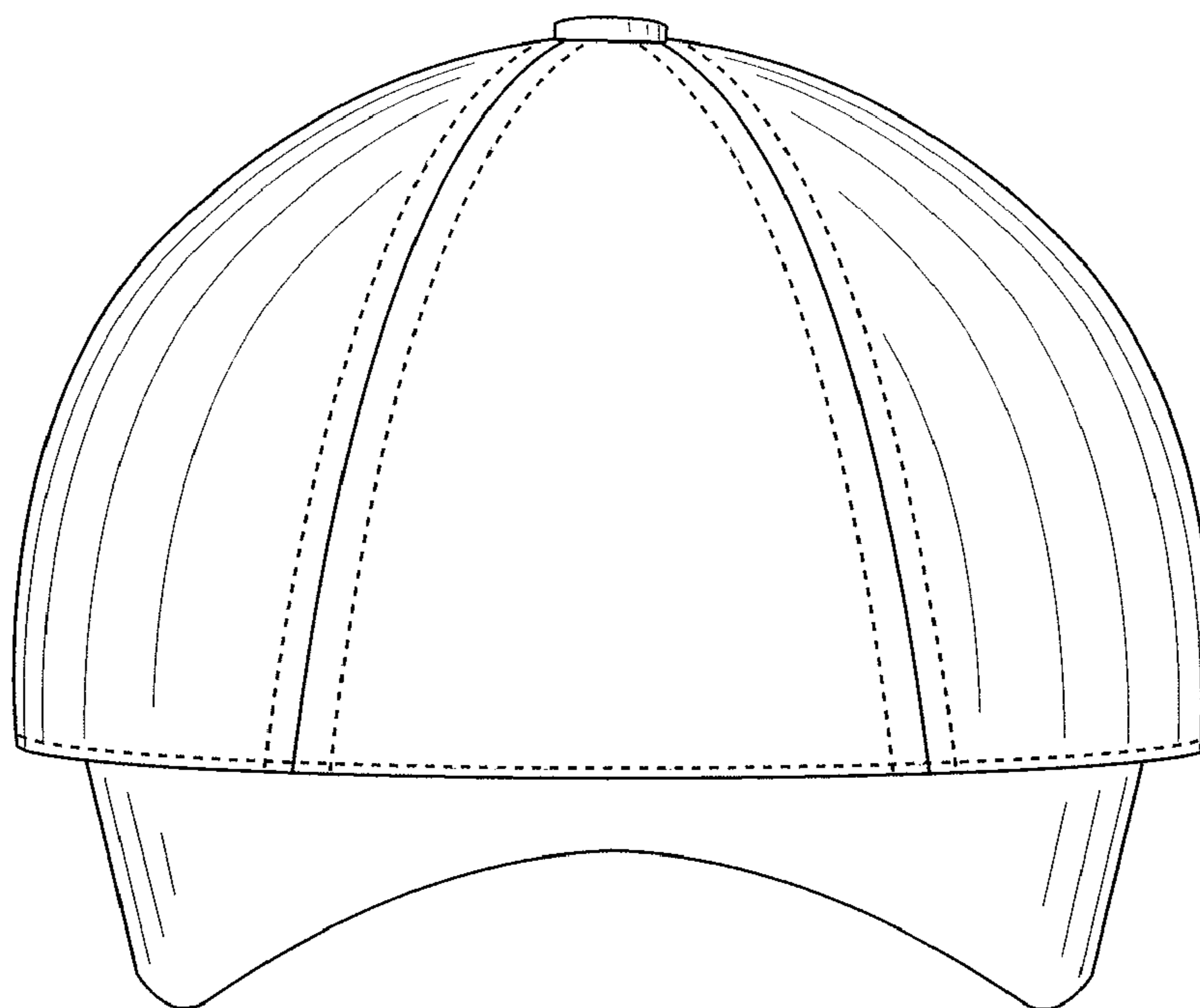


FIG. 5

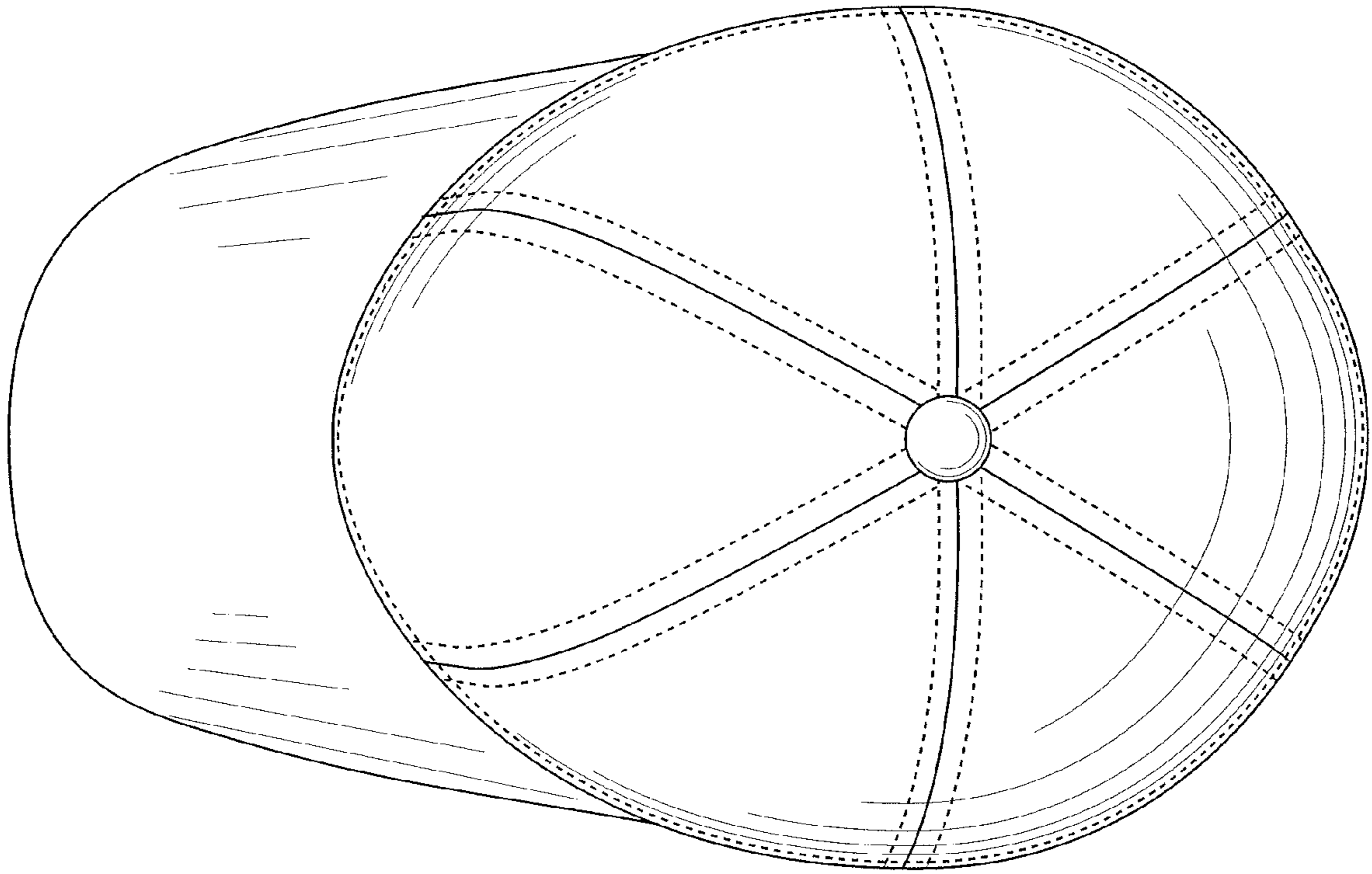


FIG. 6

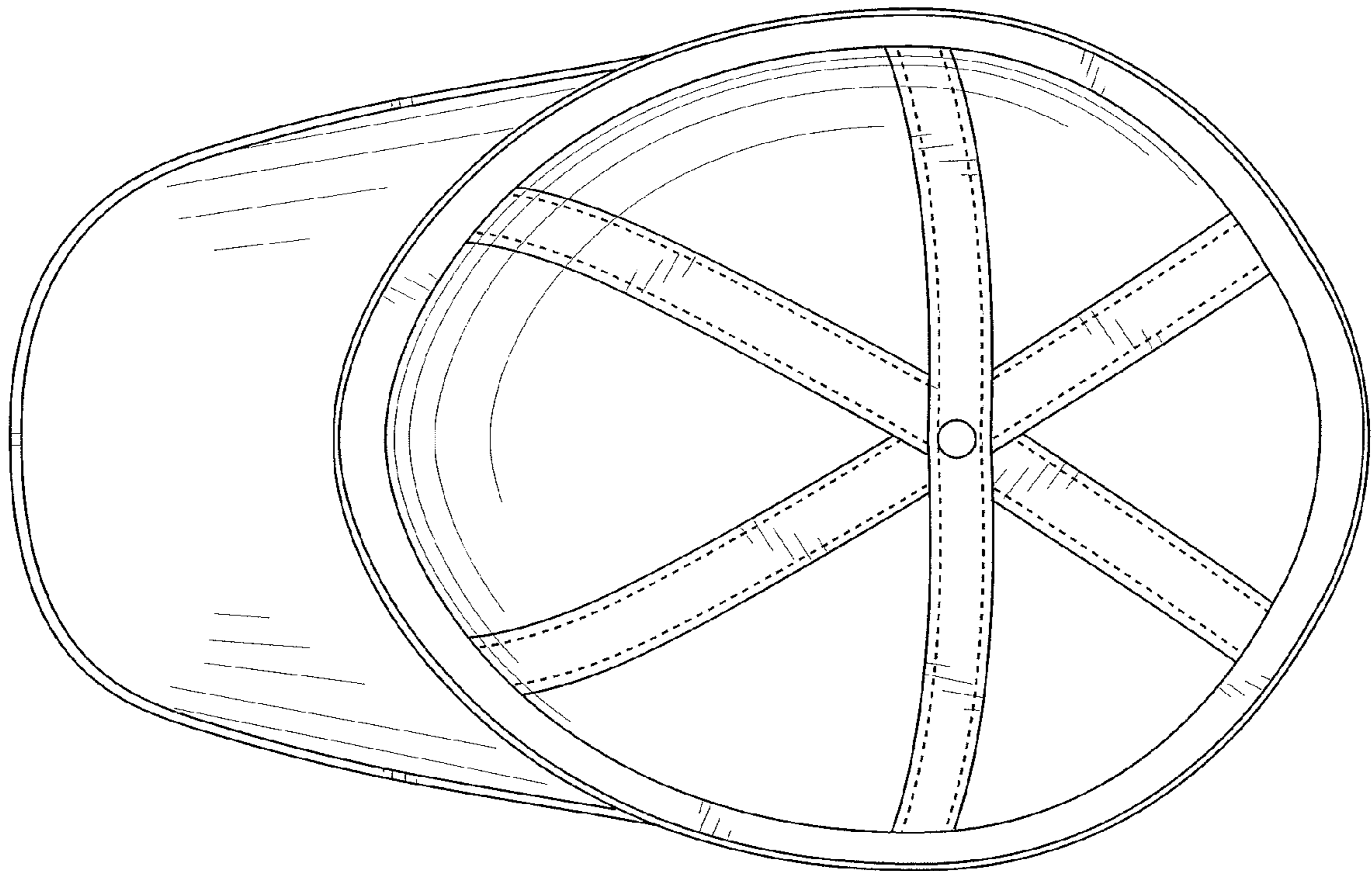


FIG. 7

+

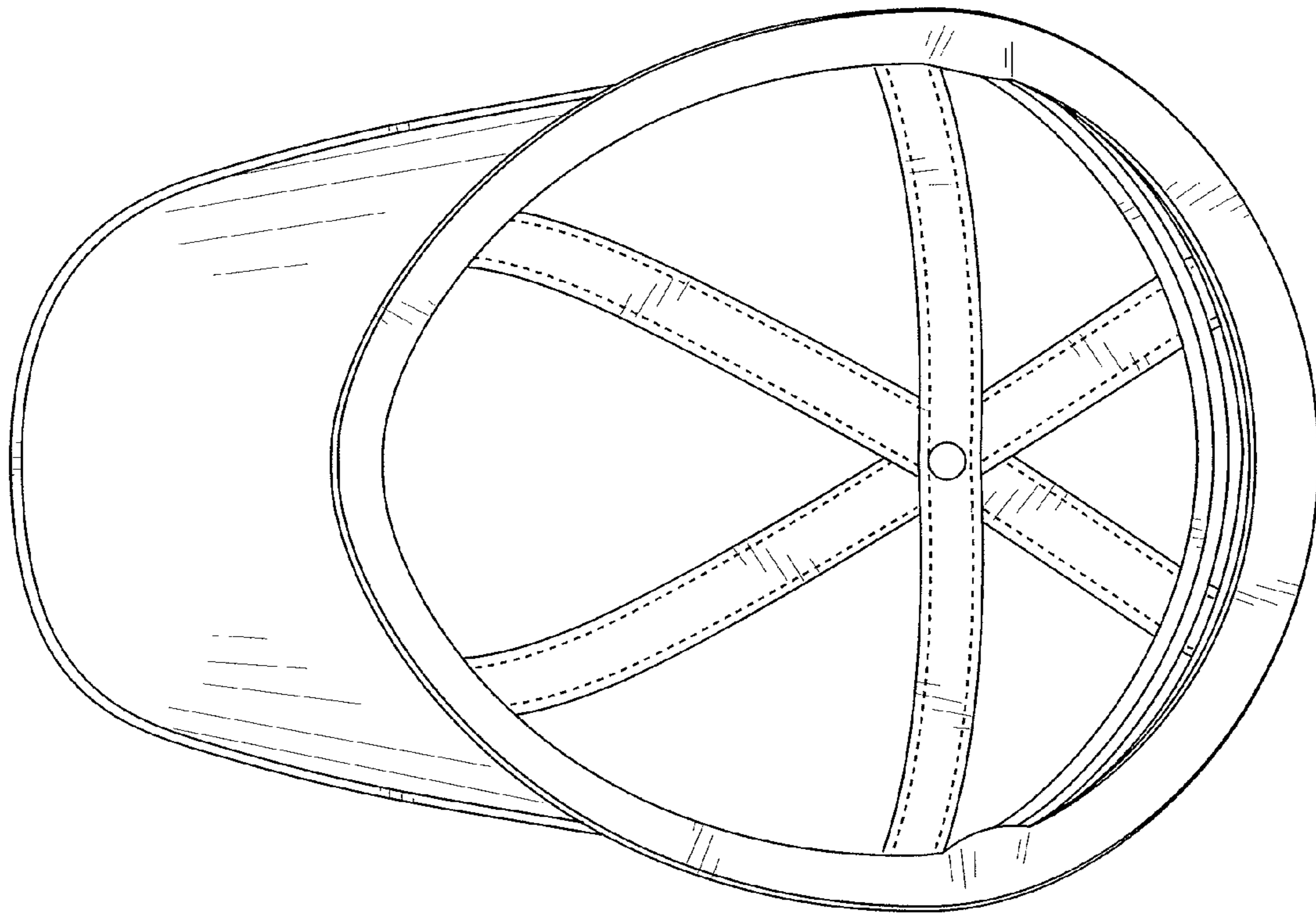


FIG. 8

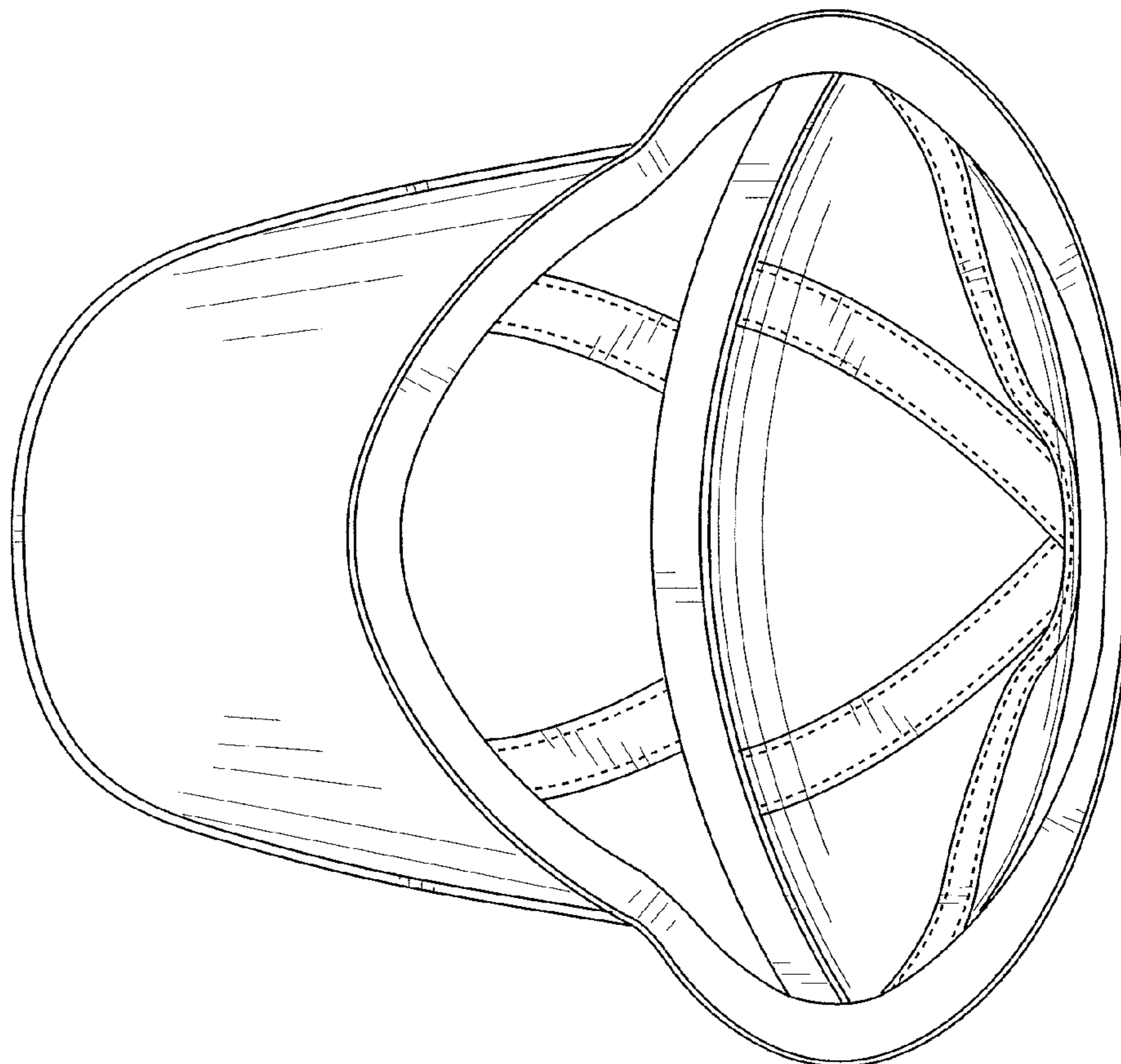


FIG. 9

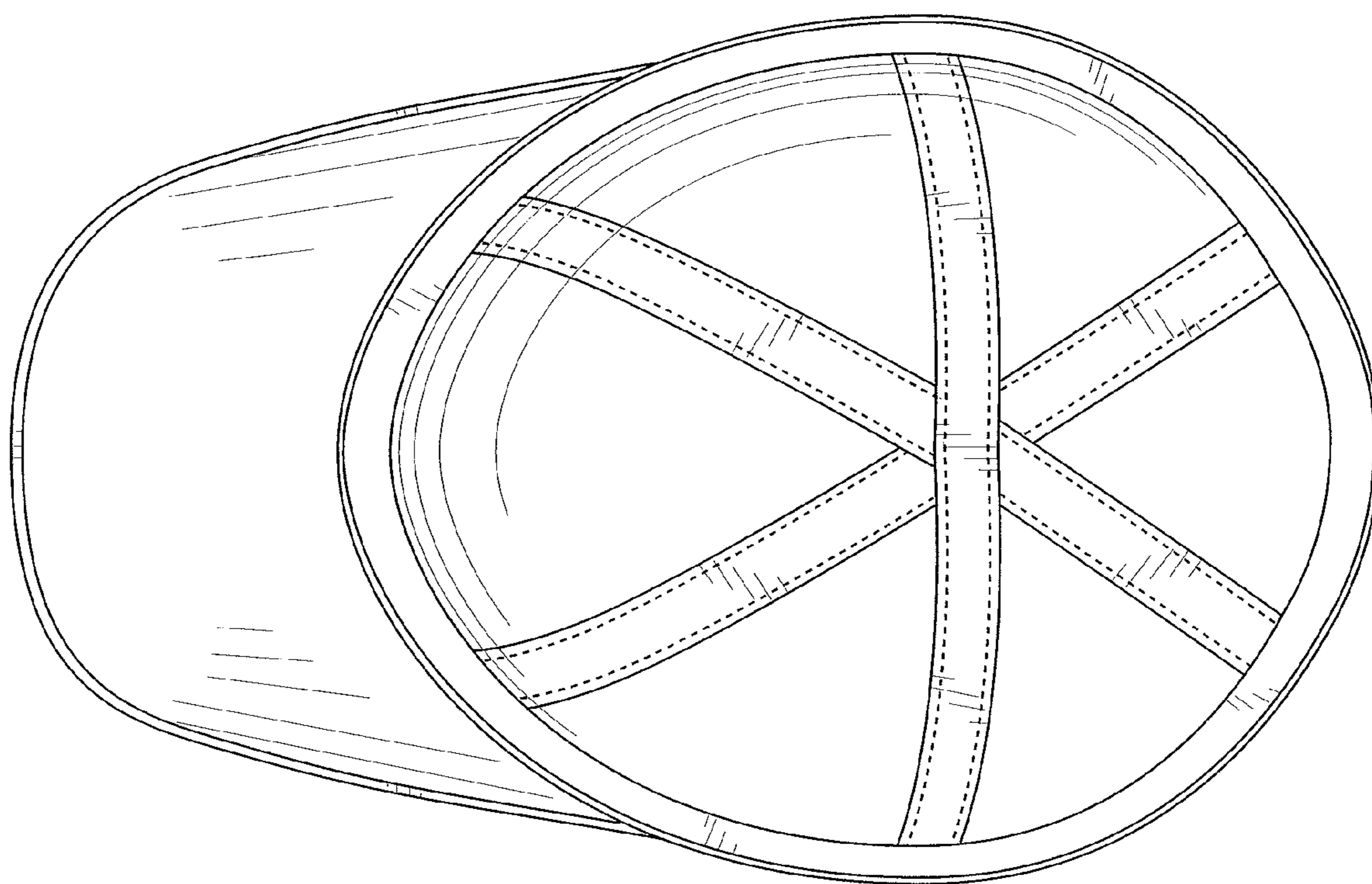


FIG. 10