



US00D603136S

(12) **United States Design Patent**
Unlu et al.

(10) **Patent No.:** **US D603,136 S**
(45) **Date of Patent:** **** Nov. 3, 2009**

(54) **PET CHEW**

D593,277 S * 6/2009 Wylie D1/199

(75) Inventors: **Emine Unlu**, Murfreesboro, TN (US);
Ximei Liu, Franklin, TN (US); **Michael R. Sanclemente**, Nashville, TN (US)

OTHER PUBLICATIONS

U.S. Appl. No. 29/318,445, filed May 20, 2008, by David A. Wylie et al., entitled "Pet Food".

(73) Assignee: **Mars, Incorporated**, McLean, VA (US)

* cited by examiner

(**) Term: **14 Years**

Primary Examiner—Cathron C Brooks
Assistant Examiner—Barbara Fox

(21) Appl. No.: **29/330,812**

(74) *Attorney, Agent, or Firm*—Arent Fox LLP

(22) Filed: **Jan. 14, 2009**

(57) **CLAIM**

(51) **LOC (9) Cl.** **01-01**

The ornamental design for a pet chew, as shown and described.

(52) **U.S. Cl.** **D1/199**

(58) **Field of Classification Search** D1/100,
D1/106, 120, 125, 127–128, 199; D30/160;
D24/102, 103; 426/2, 104, 635, 805; 119/706–711
See application file for complete search history.

DESCRIPTION

FIG. 1 is a top perspective view of a first embodiment of a pet chew showing our new design;

(56) **References Cited**

U.S. PATENT DOCUMENTS

FIG. 2 is a bottom perspective view of the design shown in FIG. 1;

3,344,457	A *	10/1967	Grobert	15/207.2
D437,101	S *	2/2001	Debbouz et al.	D1/126
6,207,216	B1 *	3/2001	Zietlow et al.	426/564
D500,579	S *	1/2005	Tansey et al.	D1/199
D509,045	S *	9/2005	Buckley et al.	D1/199
D515,275	S *	2/2006	Leiweke et al.	D1/125
D517,774	S *	3/2006	Jia et al.	D1/121
D528,261	S *	9/2006	Mendes et al.	D1/122
D532,583	S *	11/2006	Townsend et al.	D1/122
D534,706	S *	1/2007	Cuadrado	D1/125
D536,537	S *	2/2007	Ping Sheng	D5/99
D536,538	S *	2/2007	Ping Sheng	D5/99
D538,506	S *	3/2007	Mendes et al.	D1/122
D539,550	S *	4/2007	Ping Sheng	D5/99
D578,727	S	10/2008	Frawley et al.	
D586,534	S *	2/2009	Oelsner et al.	D1/112
D591,926	S *	5/2009	Jia et al.	D1/125

FIG. 3 is a front view of the design shown in FIG. 1;

FIG. 4 is a rear view of the design shown in FIG. 1;

FIG. 5 is a top view of the design shown in FIG. 1;

FIG. 6 is a bottom view of the design shown in FIG. 1;

FIG. 7 is a left side view of the design shown in FIG. 1;

FIG. 8 is a right side view of the design shown in FIG. 1;

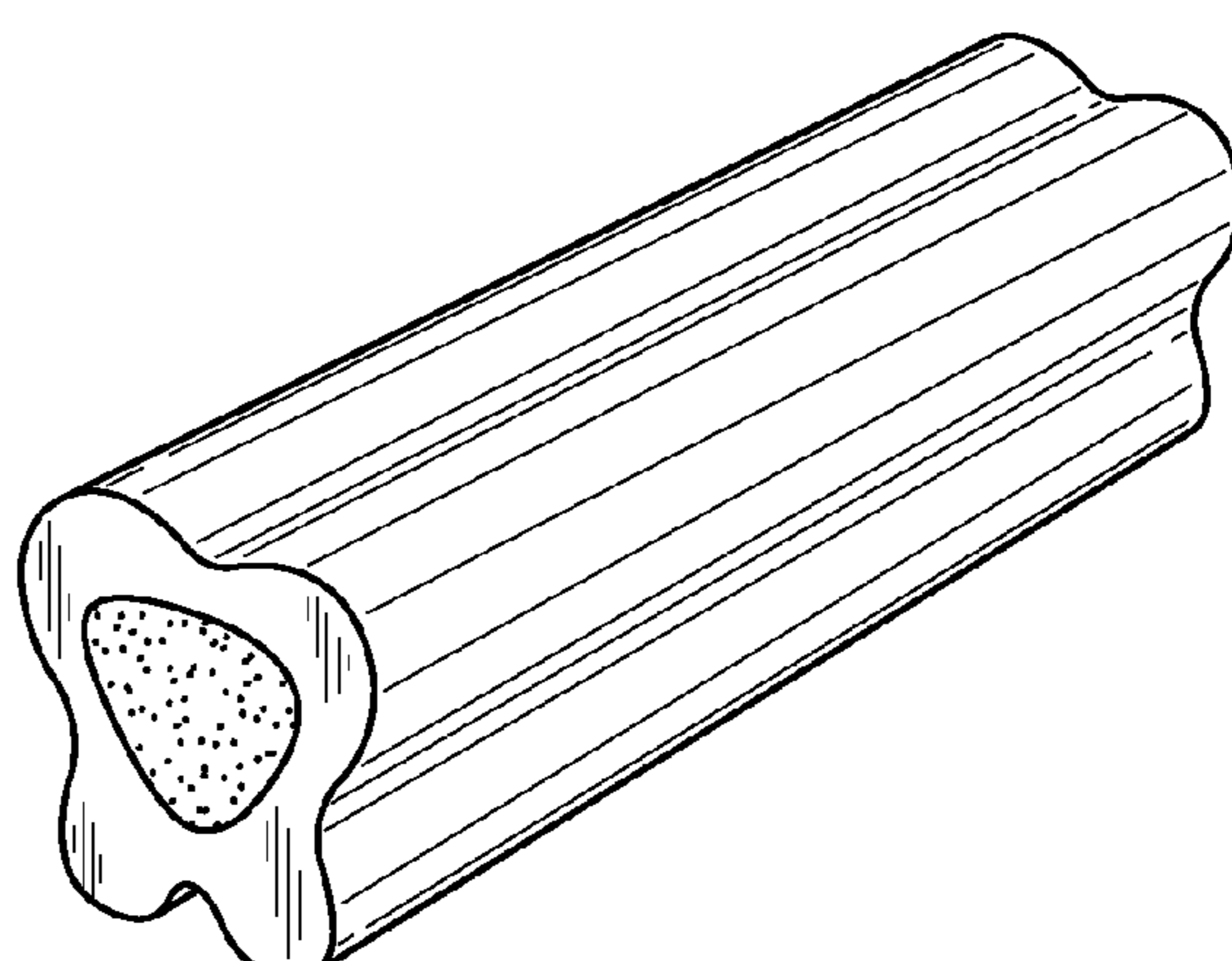
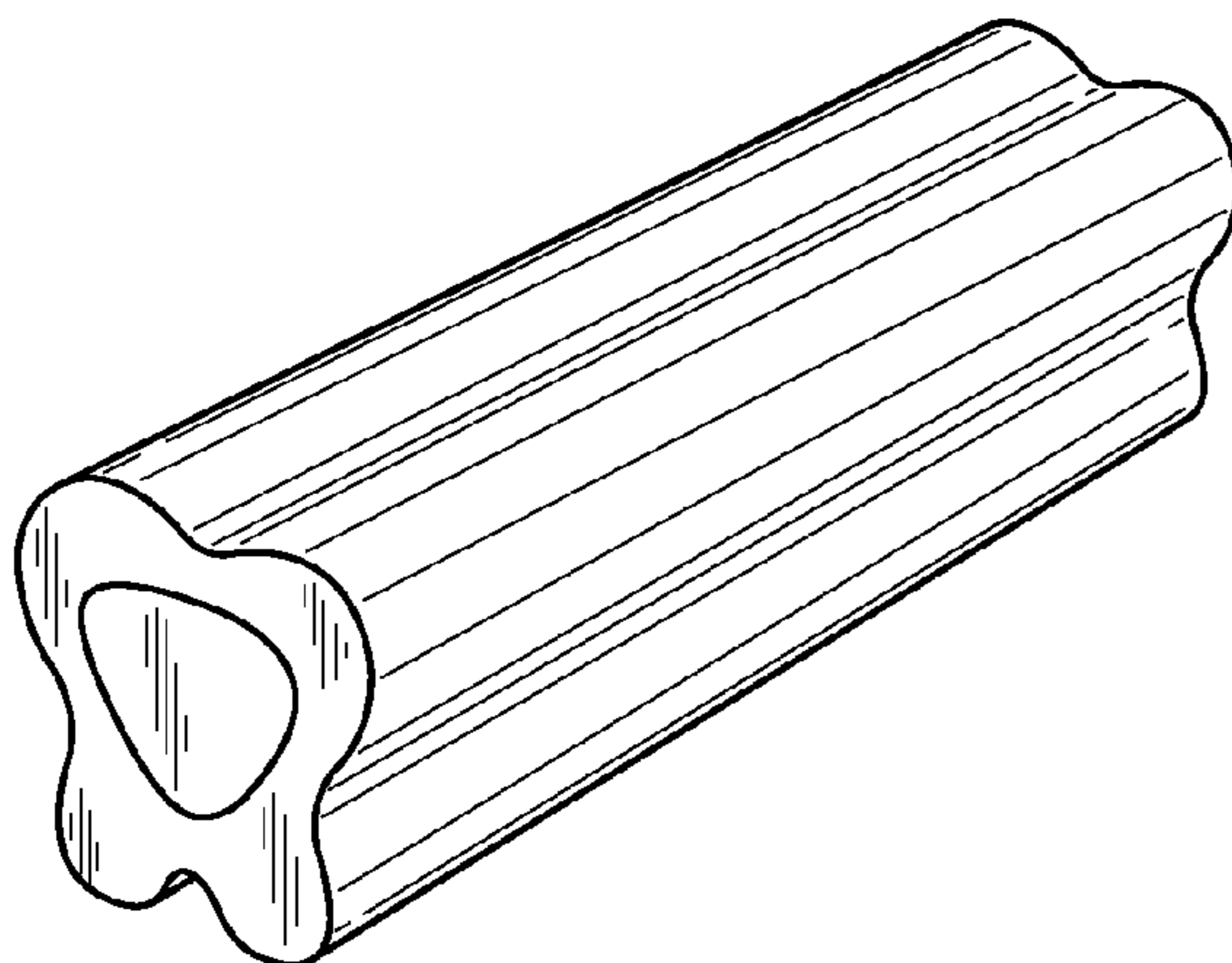
FIG. 9 is a top perspective view of a second embodiment of a pet chew showing our new design;

FIG. 10 is a bottom perspective view of the design shown in FIG. 9;

FIG. 11 is a left side view of the design shown in FIG. 9; and,

FIG. 12 is a right side view of the design shown in FIG. 9.

1 Claim, 12 Drawing Sheets



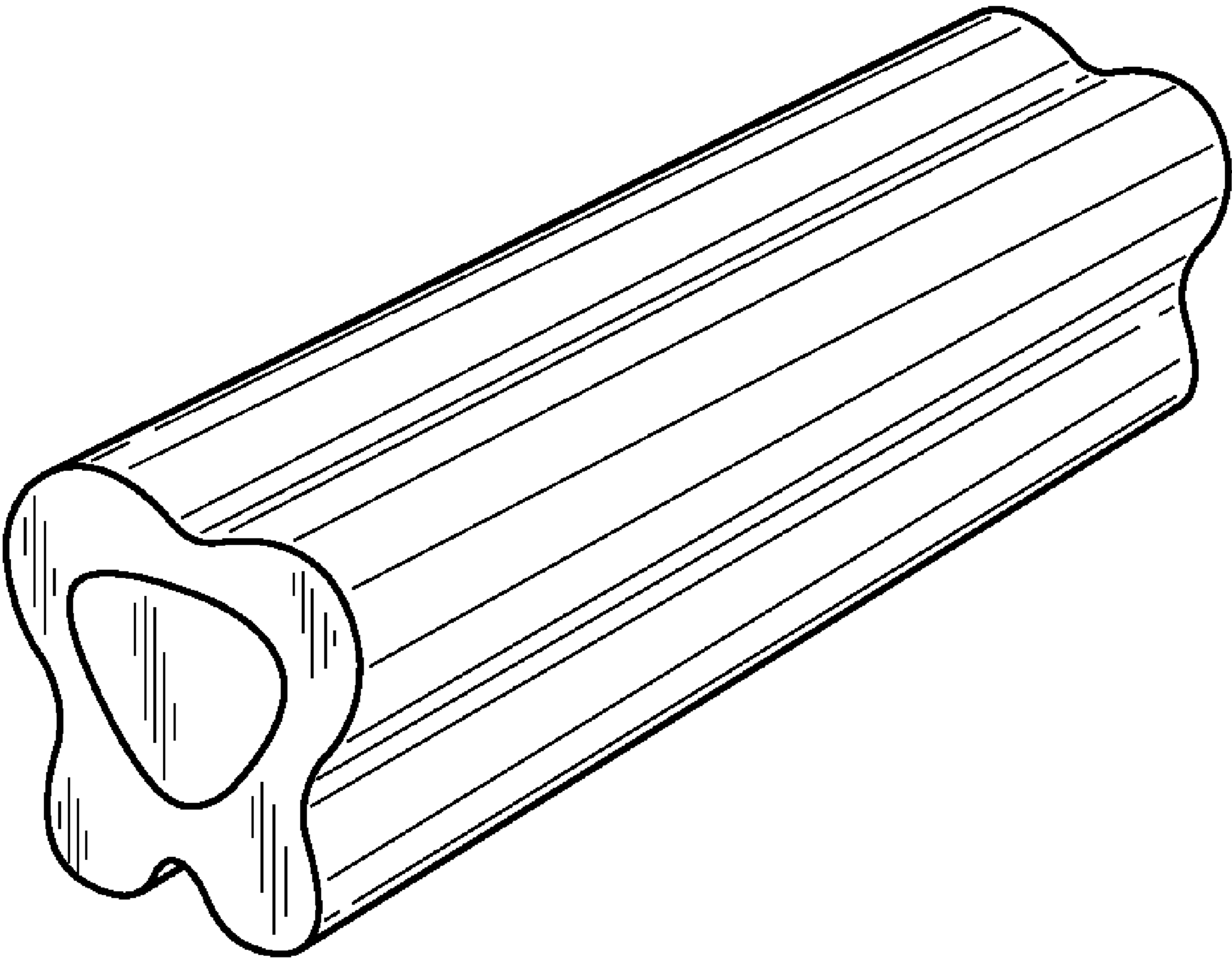


FIG.1

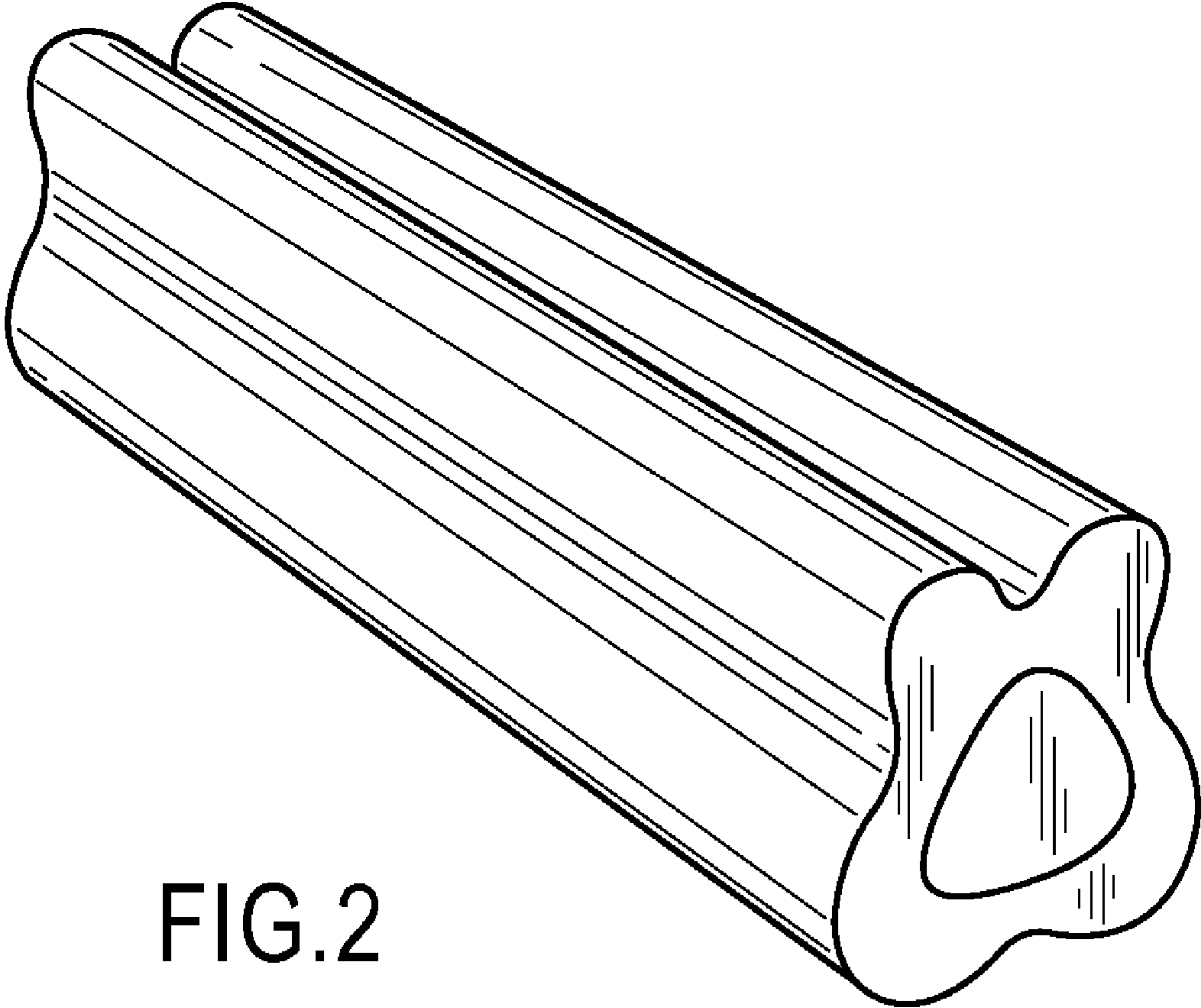


FIG. 2

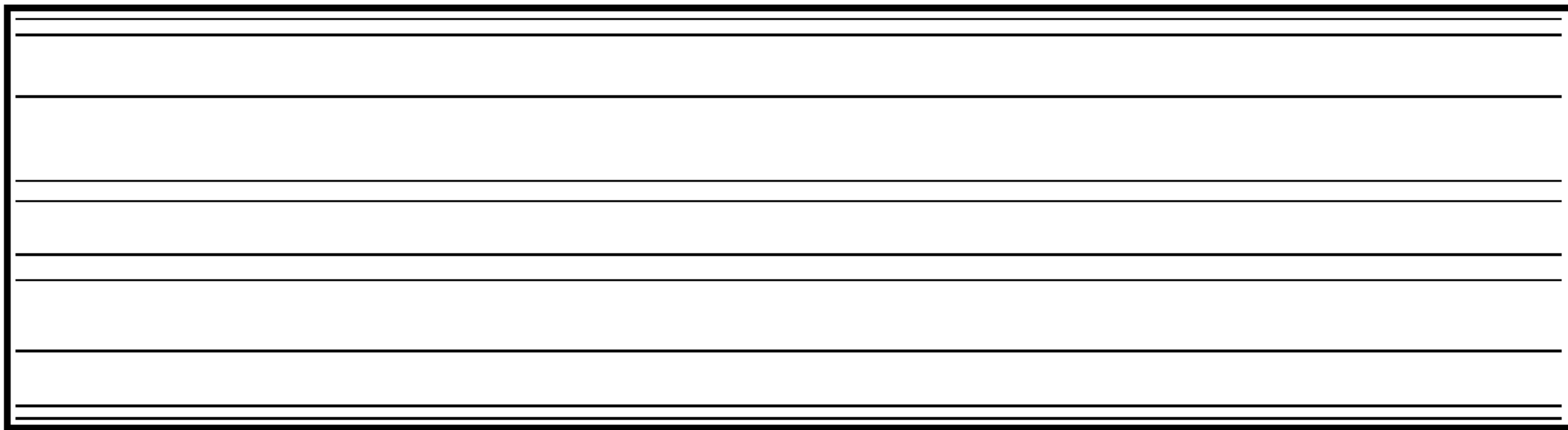


FIG.3

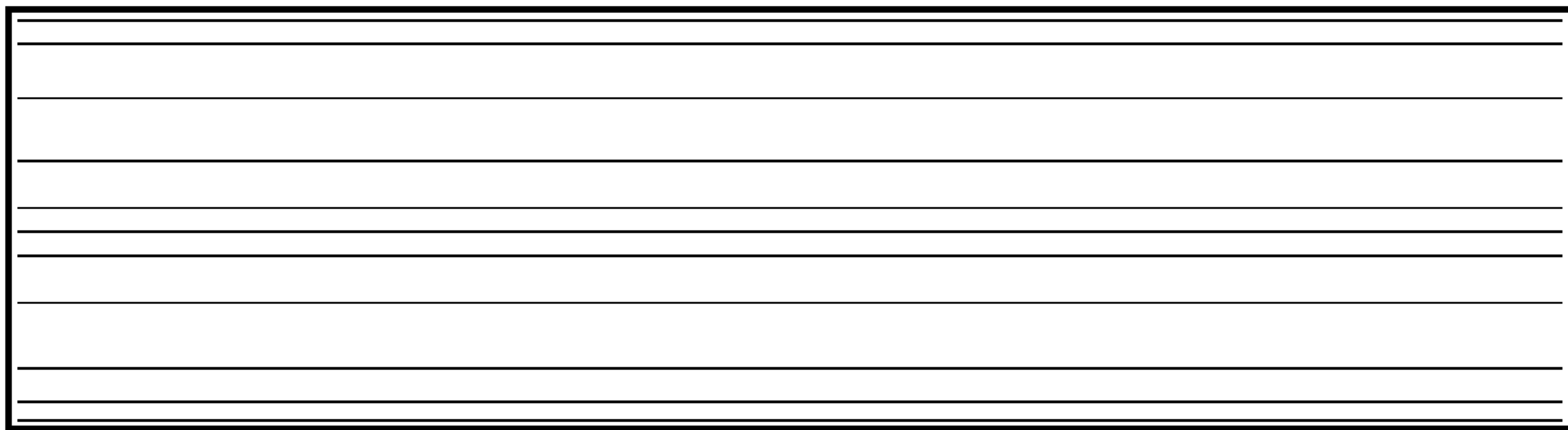


FIG.4

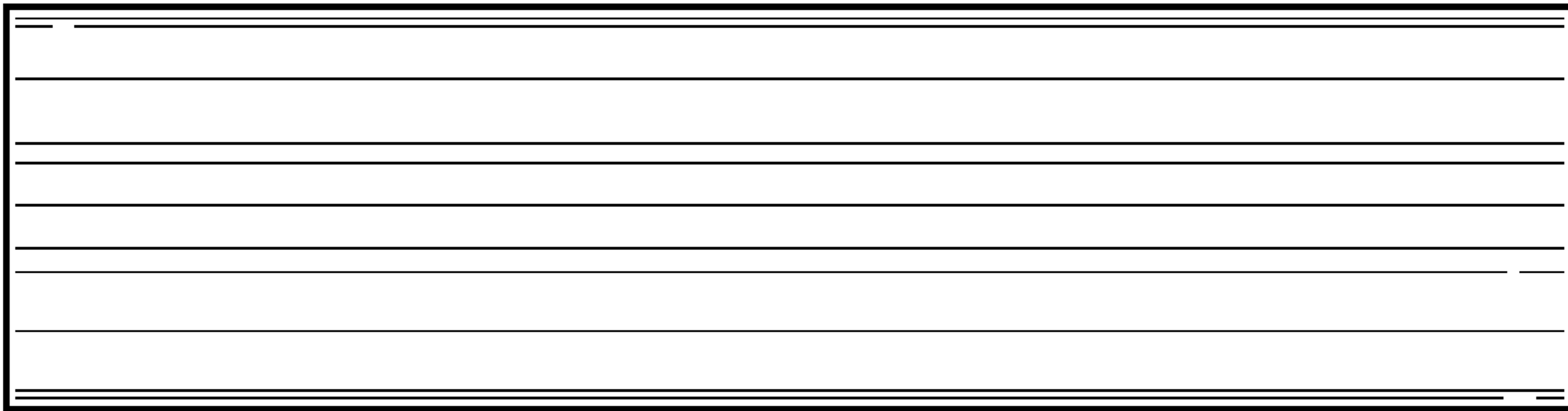


FIG.5

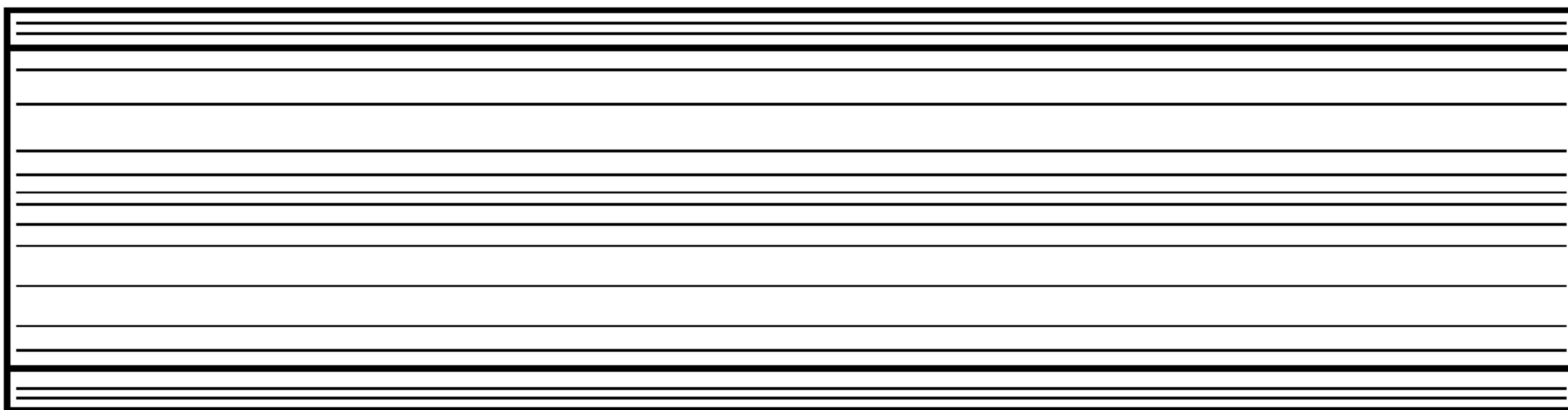


FIG.6

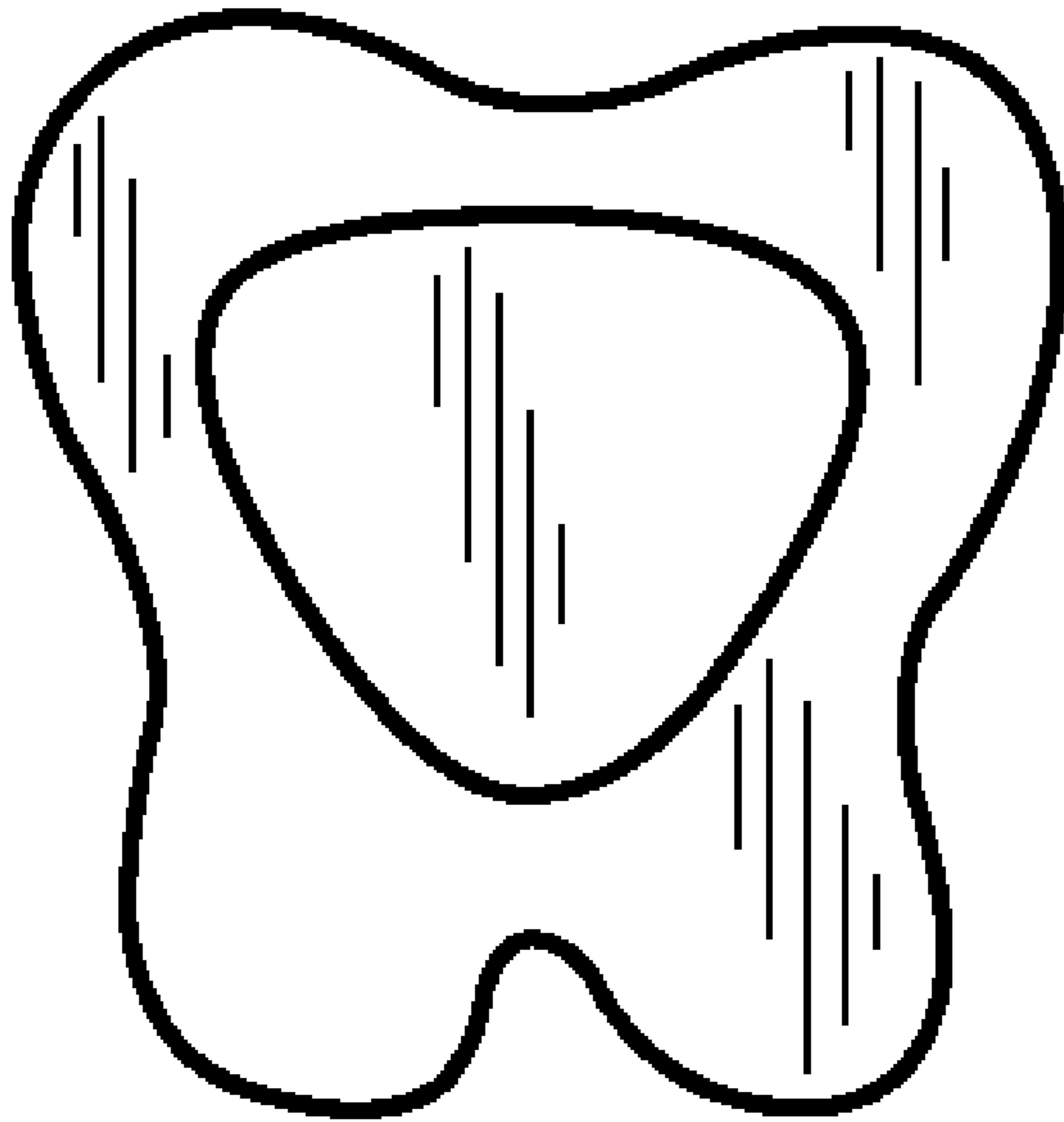


FIG. 7

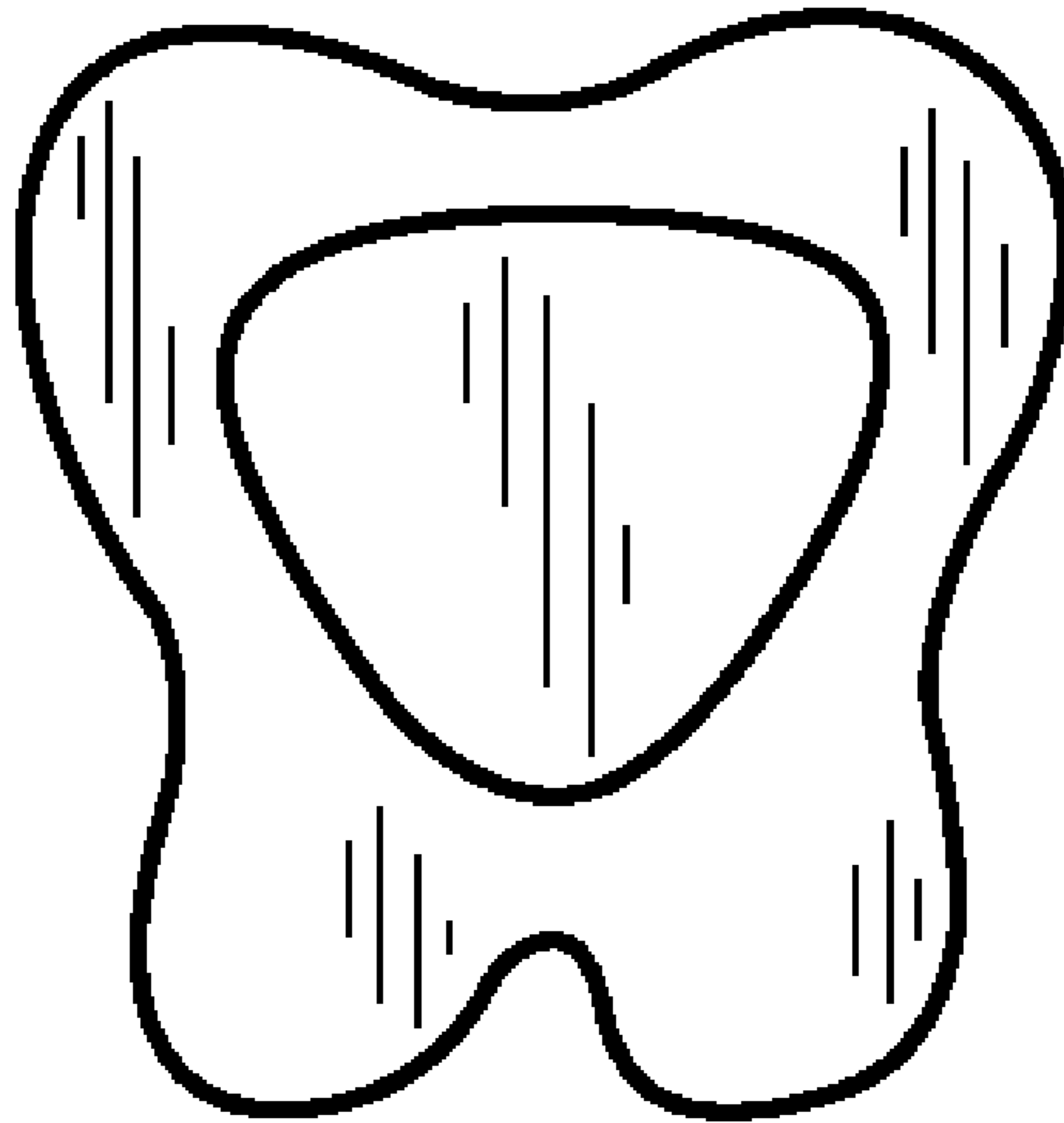


FIG. 8

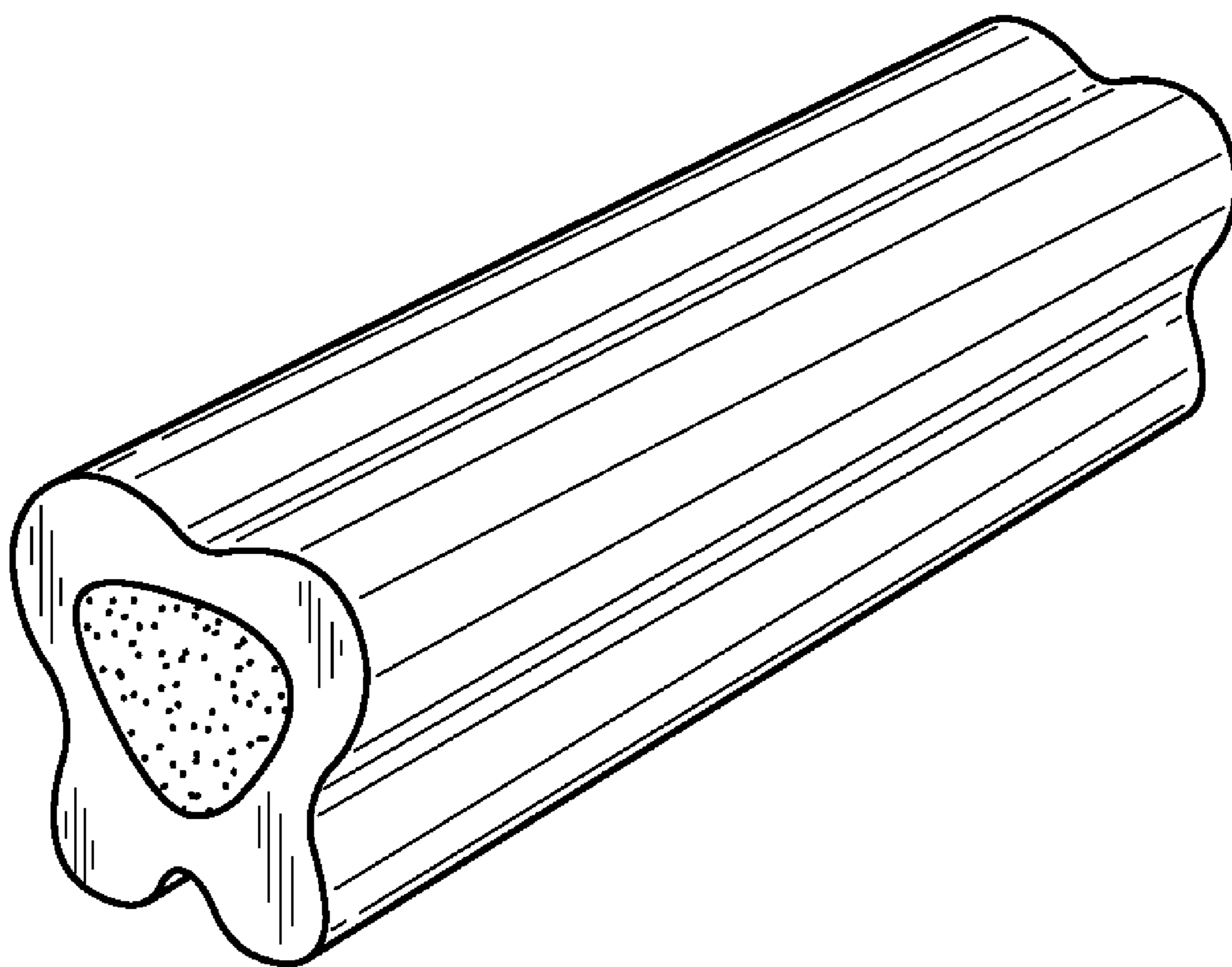


FIG.9

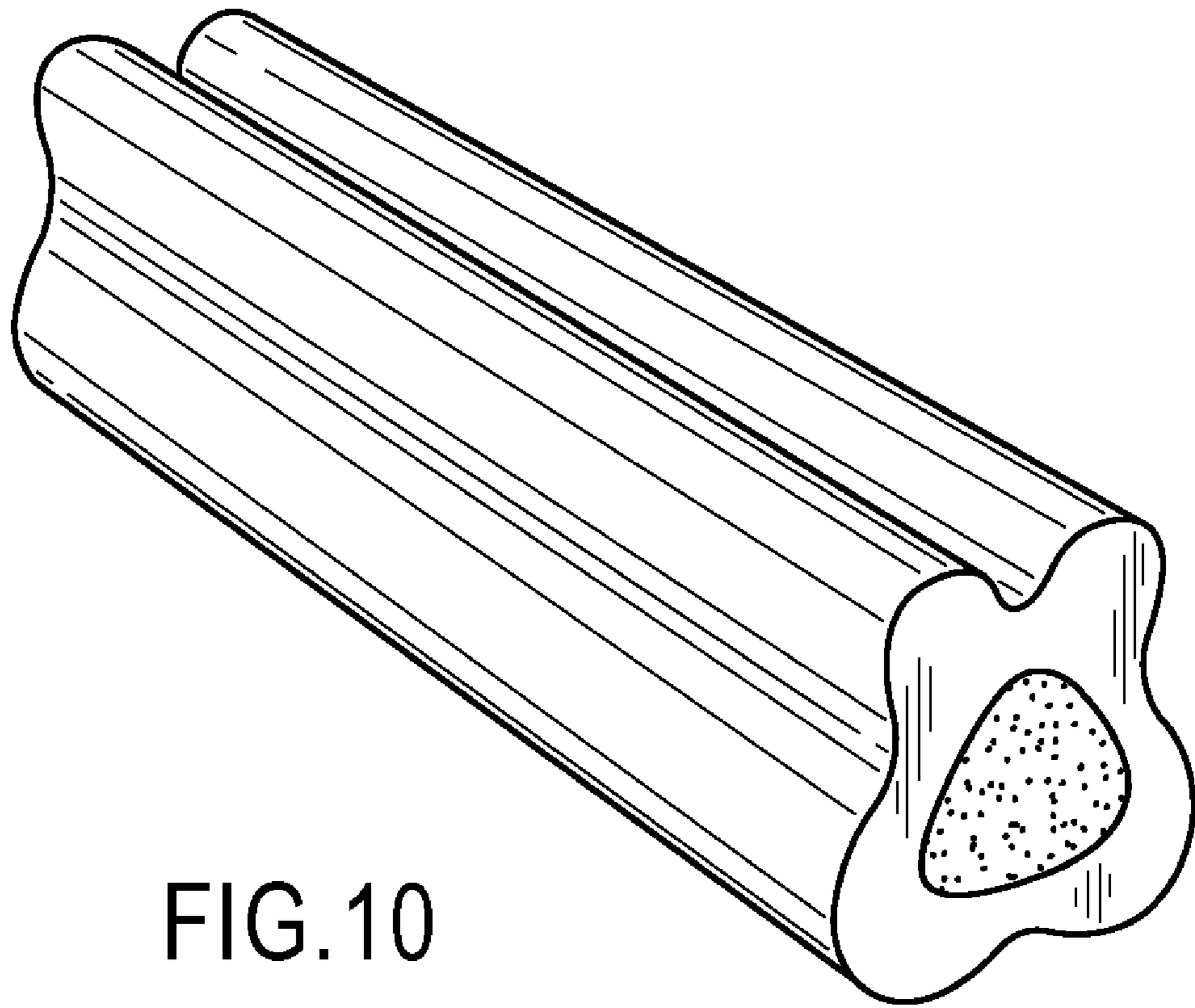


FIG. 10

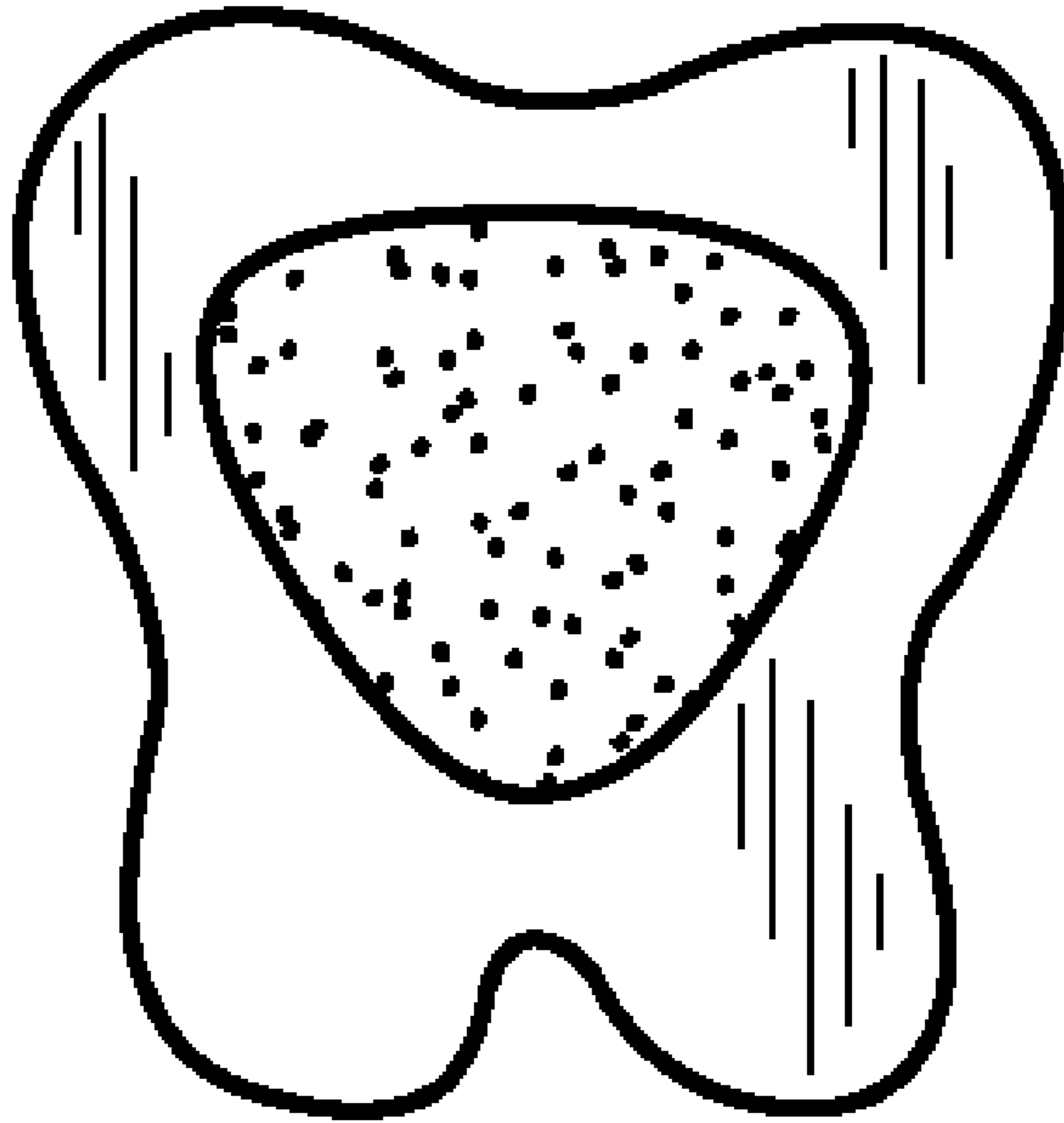


FIG. 11

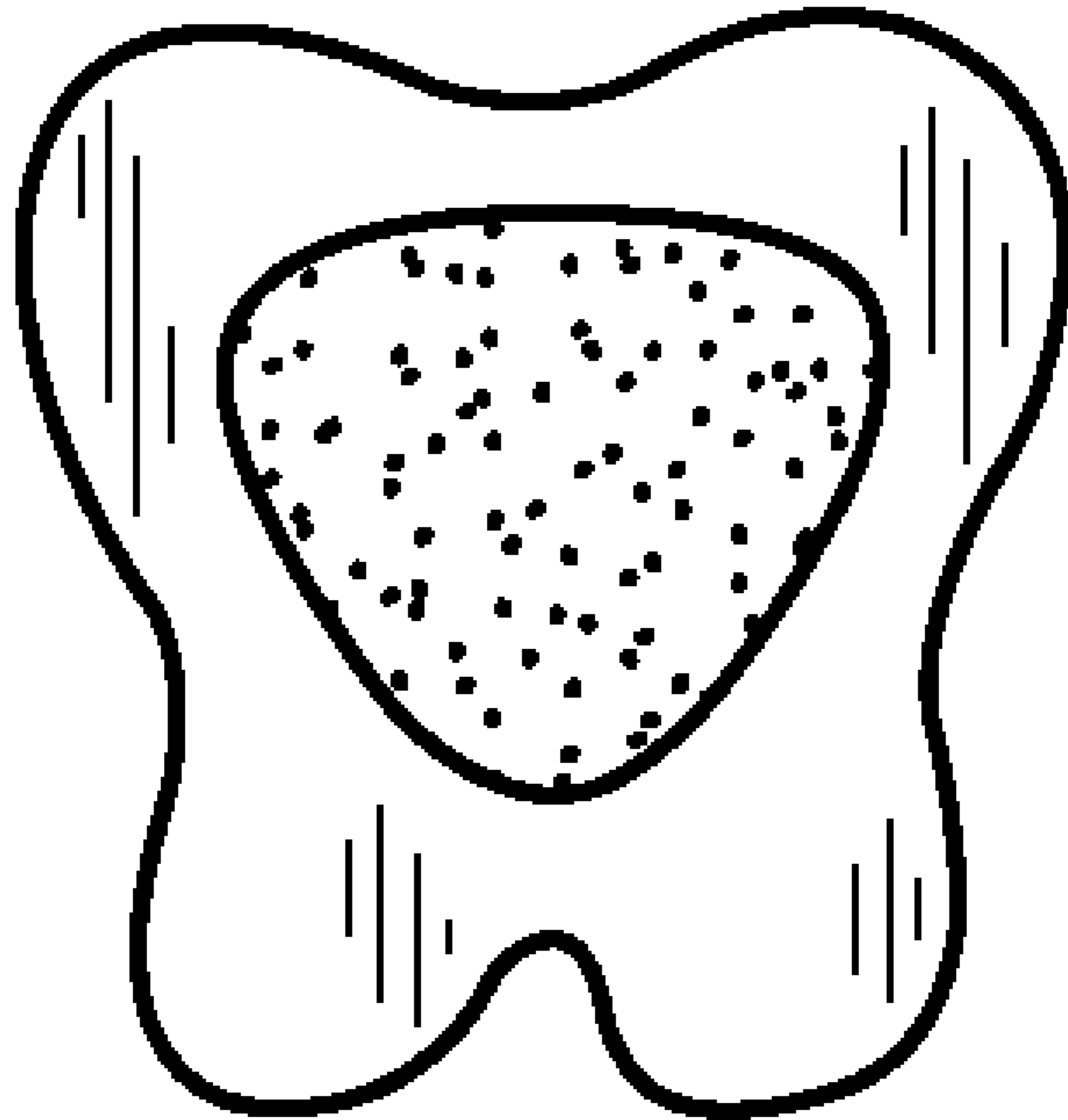


FIG. 12