



US00D603135S

(12) **United States Design Patent**  
**Unlu et al.**

(10) **Patent No.:** **US D603,135 S**  
(45) **Date of Patent:** **\*\* Nov. 3, 2009**

(54) **PET CHEW**

D591,926 S \* 5/2009 Jia et al. .... D1/125  
D593,277 S \* 6/2009 Wylie ..... D1/199

(75) Inventors: **Emine Unlu**, Murfreesboro, TN (US);  
**Ximei Liu**, Franklin, TN (US); **Chris Haas**,  
Charleston, IL (US); **Aaron R. Napier**,  
Nashville, TN (US)

**OTHER PUBLICATIONS**

U.S. Design Appl. No. 29/318,445, filed May 20, 2008, by David A. Wylie et al., entitled "Pet Food".

(73) Assignee: **Mars, Incorporated**, McLean, VA (US)

\* cited by examiner

(\*\*) Term: **14 Years**

*Primary Examiner*—Cathron C Brooks

*Assistant Examiner*—Barbara Fox

(21) Appl. No.: **29/330,810**

(74) *Attorney, Agent, or Firm*—Arent Fox LLP

(22) Filed: **Jan. 14, 2009**

(57) **CLAIM**

(51) **LOC (9) Cl.** ..... **01-01**

The ornamental design for a pet chew, as shown and described.

(52) **U.S. Cl.** ..... **D1/199**

(58) **Field of Classification Search** ..... D1/100,  
D1/106, 120, 125, 127–128, 199; D30/160;  
D24/102, 103; 426/2, 104, 635, 805; 119/706–711  
See application file for complete search history.

**DESCRIPTION**

FIG. 1 is a top perspective view of a first embodiment of a pet chew showing our new design;

(56) **References Cited**

**U.S. PATENT DOCUMENTS**

3,344,457	A	*	10/1967	Grobert	.....	15/207.2
D437,101	S	*	2/2001	Debbouz et al.	.....	D1/126
6,207,216	B1	*	3/2001	Zietlow et al.	.....	426/564
D500,579	S	*	1/2005	Tansey et al.	.....	D1/199
D501,700	S		2/2005	Turner		
D509,045	S	*	9/2005	Buckley et al.	.....	D1/199
D515,275	S	*	2/2006	Leiweke et al.	.....	D1/125
D516,276	S		3/2006	Unlu et al.		
D517,774	S	*	3/2006	Jia et al.	.....	D1/121
D528,261	S	*	9/2006	Mendes et al.	.....	D1/122
D532,583	S	*	11/2006	Townsend et al.	.....	D1/122
D534,706	S	*	1/2007	Cuadrado	.....	D1/125
D536,537	S	*	2/2007	Ping Sheng	.....	D5/99
D536,538	S	*	2/2007	Ping Sheng	.....	D5/99
D538,506	S	*	3/2007	Mendes et al.	.....	D1/122
D539,550	S	*	4/2007	Ping Sheng	.....	D5/99
D586,534	S	*	2/2009	Oelsner et al.	.....	D1/112

FIG. 2 is a bottom perspective view of the design shown in FIG. 1;

FIG. 3 is a front view of the design shown in FIG. 1;

FIG. 4 is a rear view of the design shown in FIG. 1;

FIG. 5 is a top view of the design shown in FIG. 1;

FIG. 6 is a bottom view of the design shown in FIG. 1;

FIG. 7 is a left side view of the design shown in FIG. 1;

FIG. 8 is a right side view of the design shown in FIG. 1;

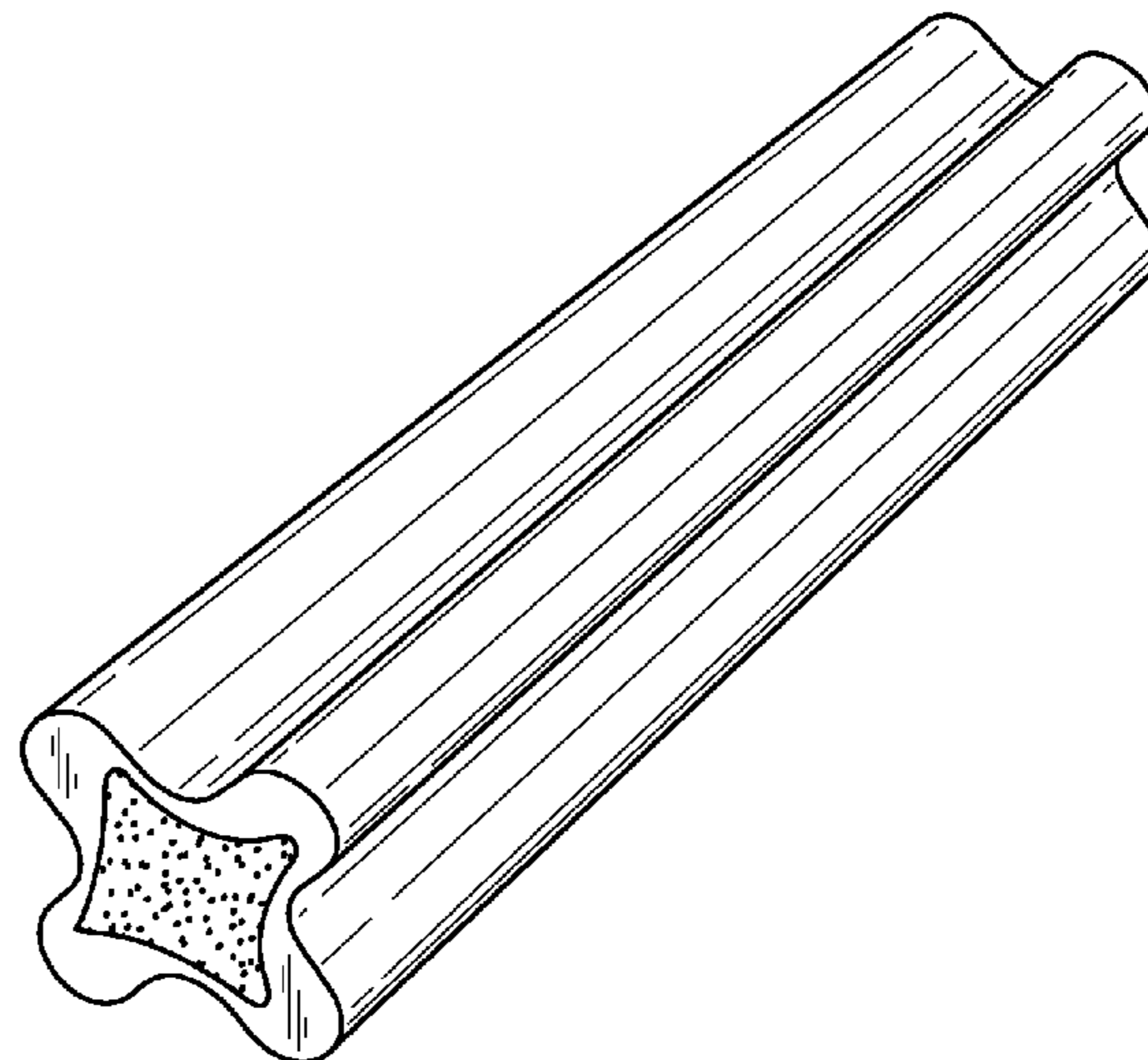
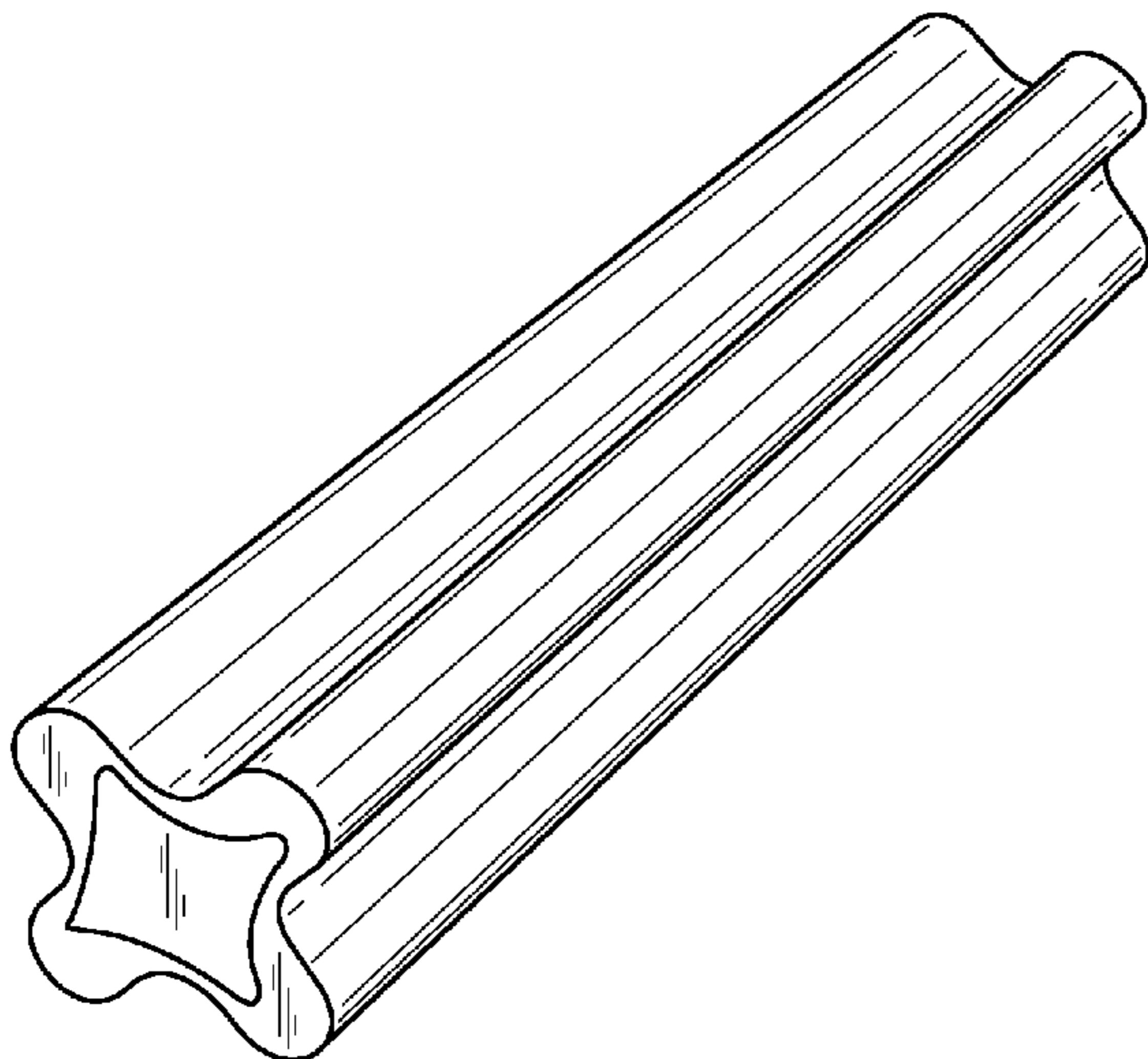
FIG. 9 is a top perspective view of a second embodiment of a pet chew showing our new design;

FIG. 10 is a bottom perspective view of the design shown in FIG. 9;

FIG. 11 is a left side view of the design shown in FIG. 9; and,

FIG. 12 is a right side view of the design shown in FIG. 9.

**1 Claim, 12 Drawing Sheets**



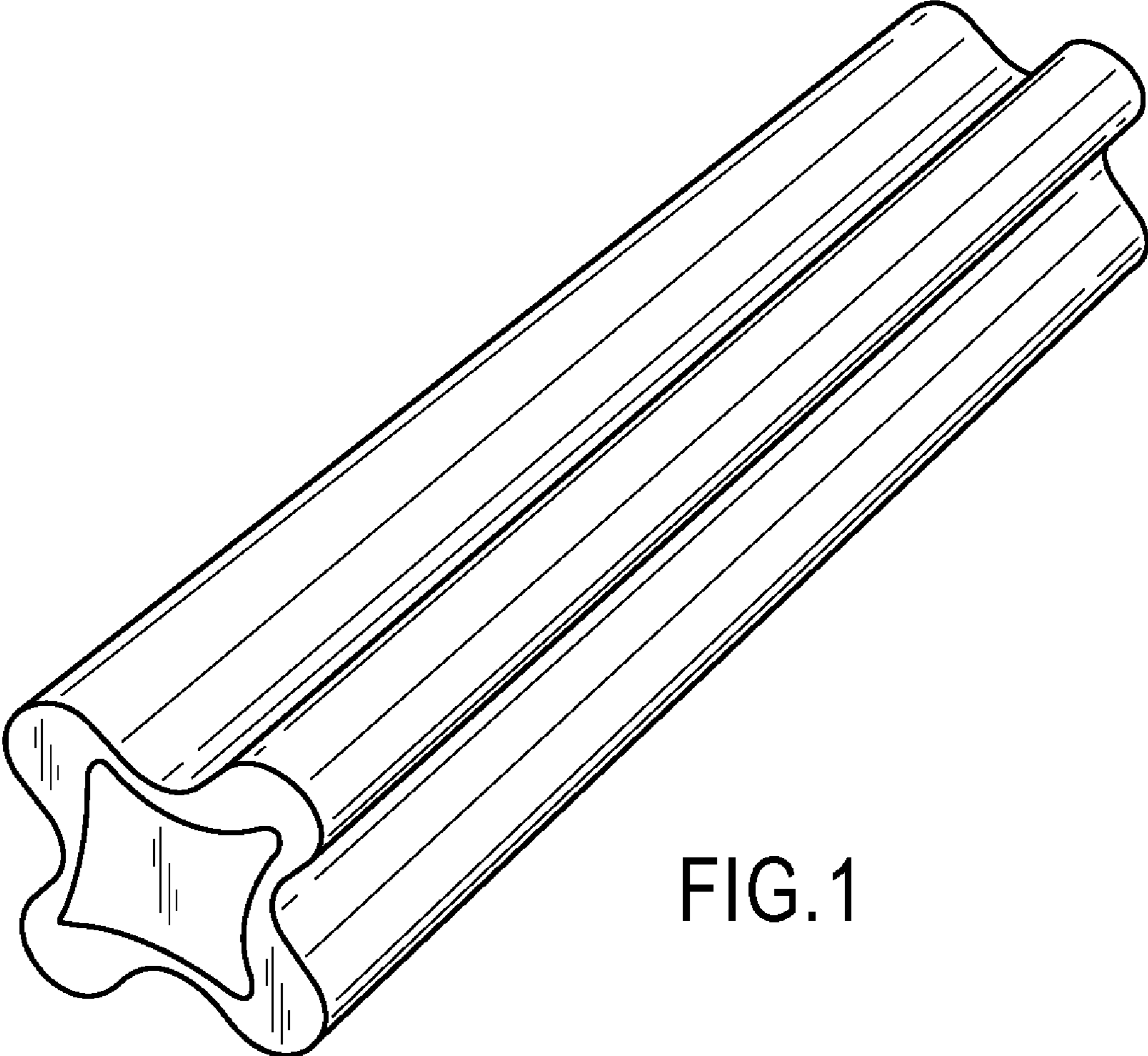


FIG. 1

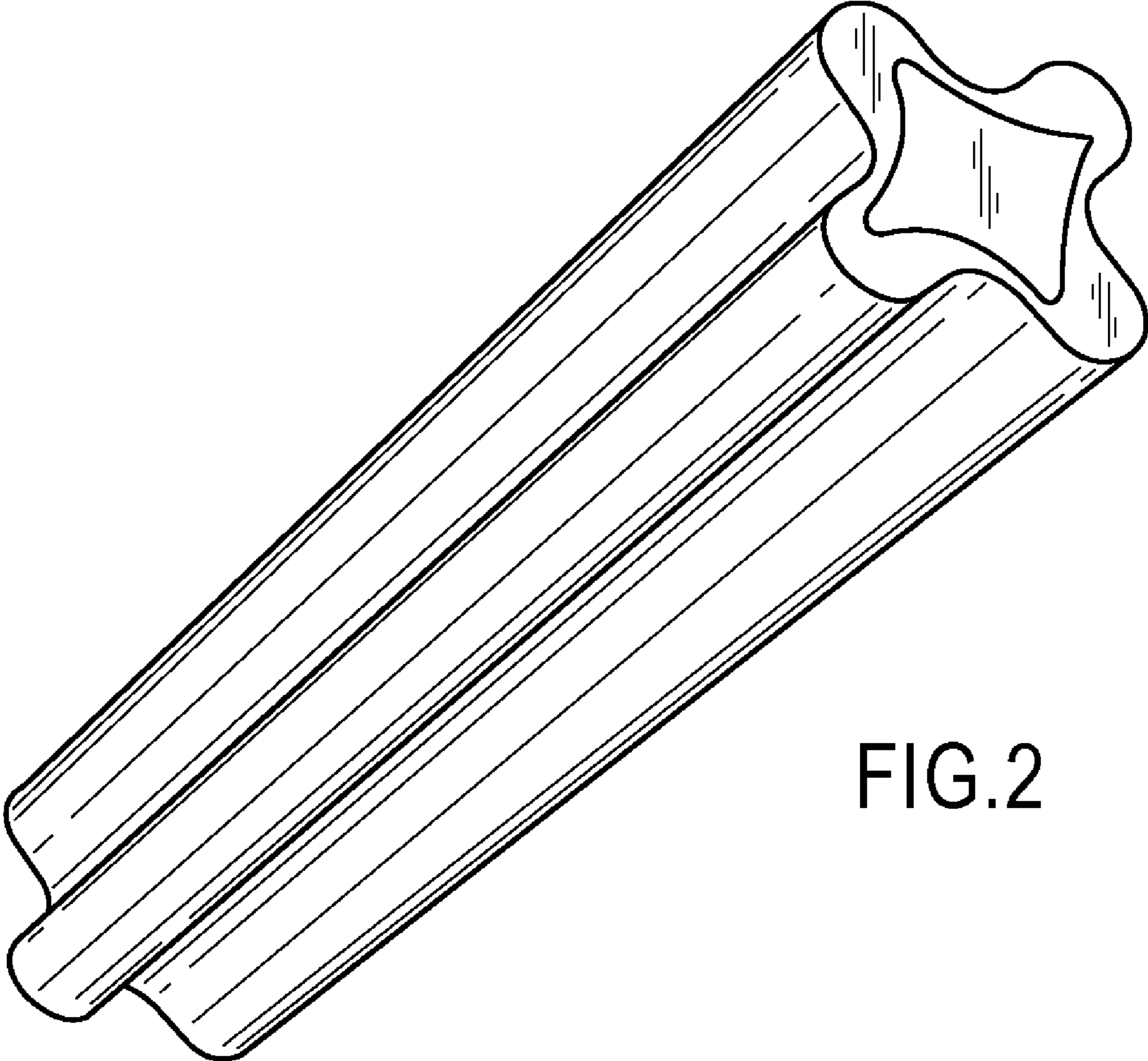


FIG.2

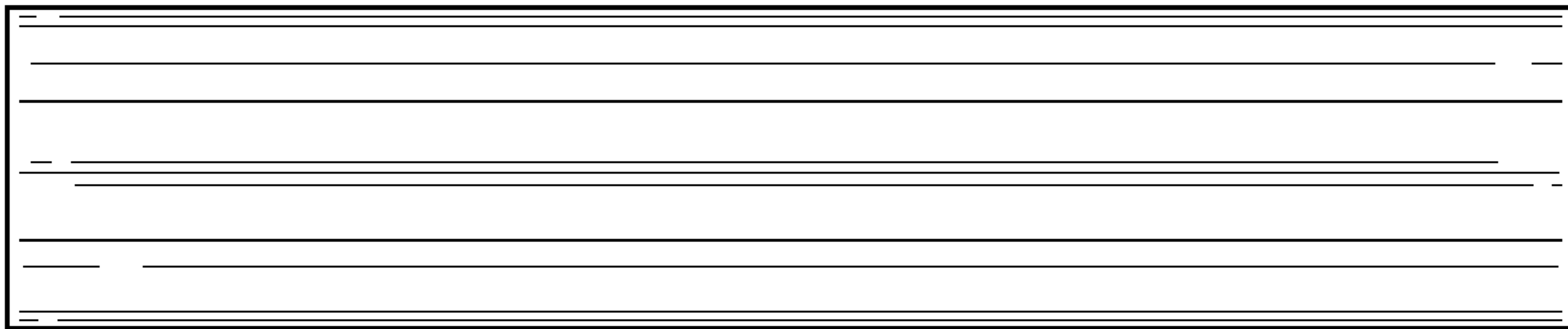


FIG.3

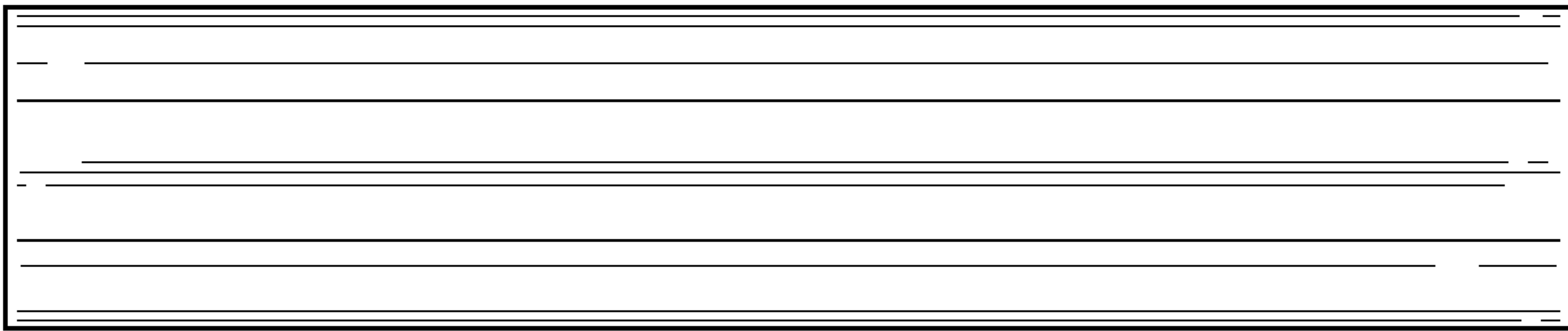


FIG.4

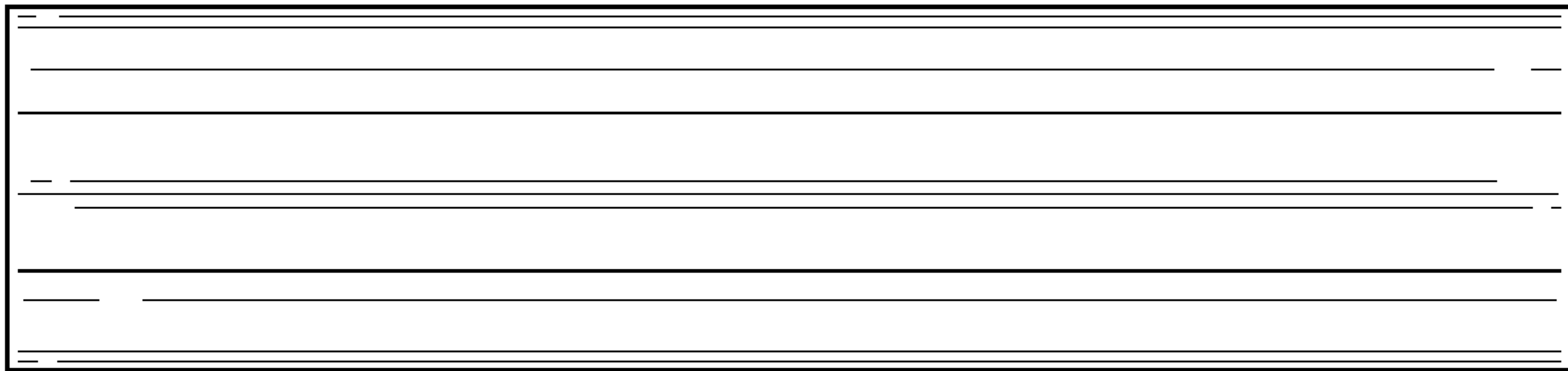


FIG.5



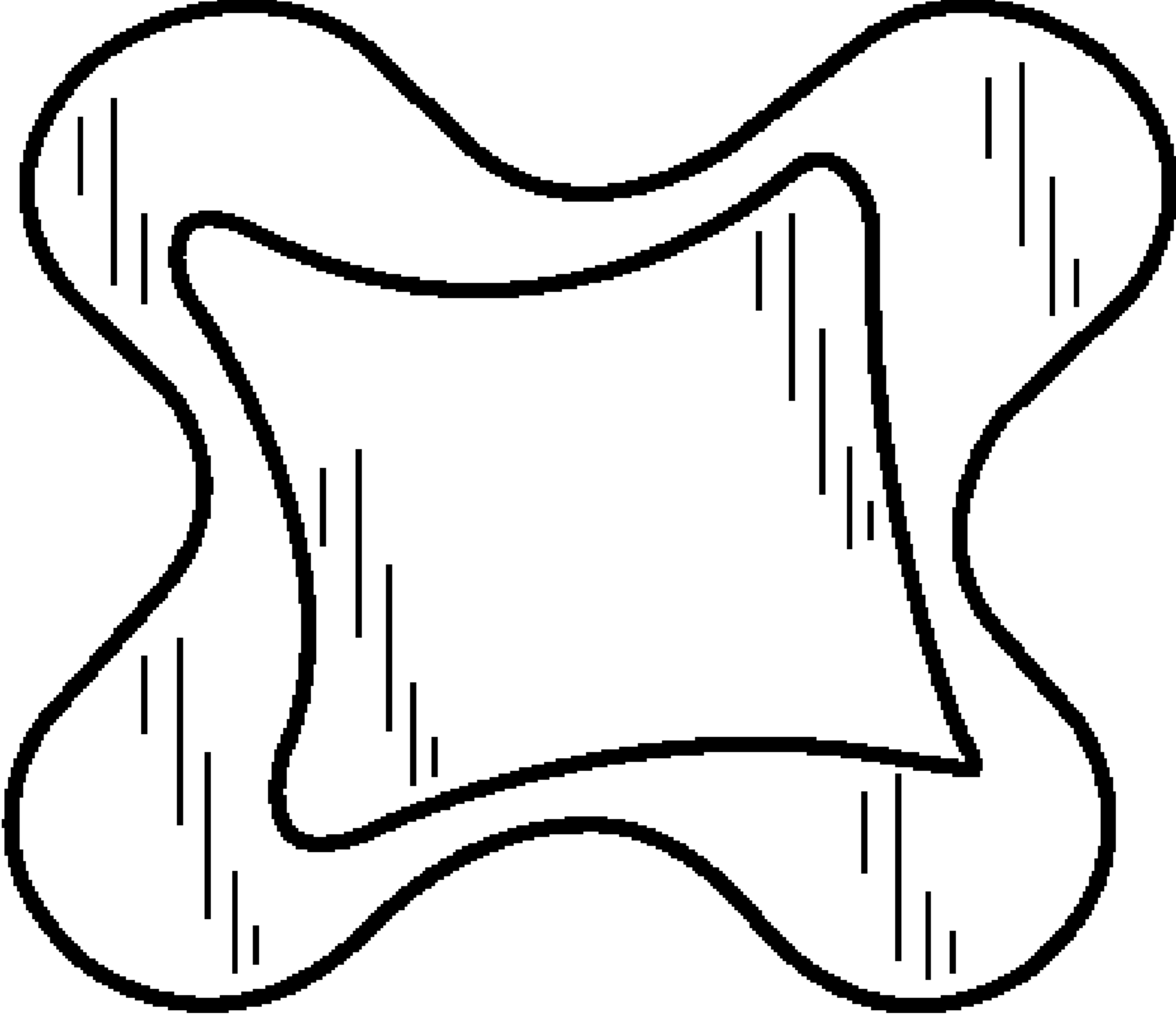


FIG. 7



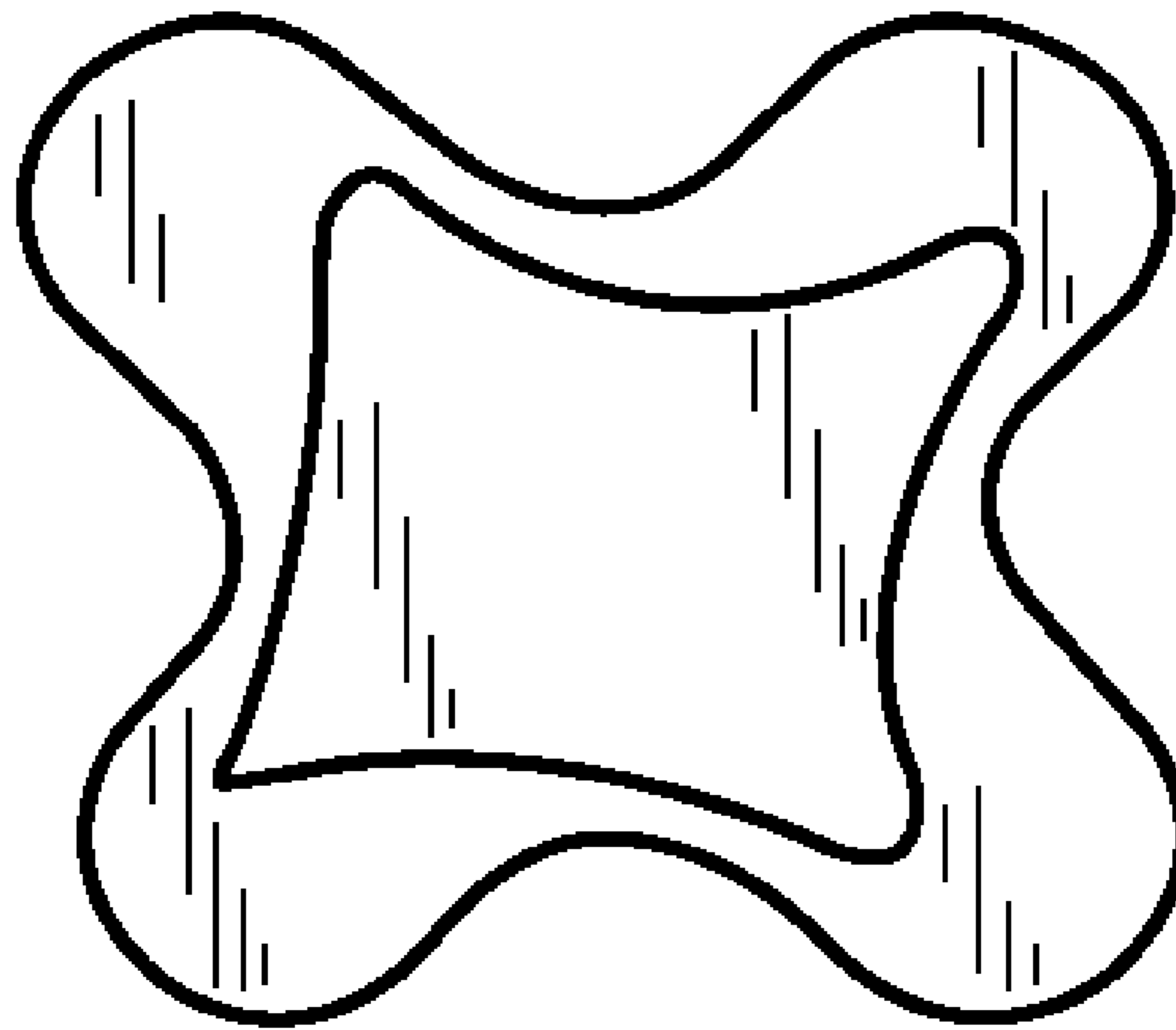


FIG. 8

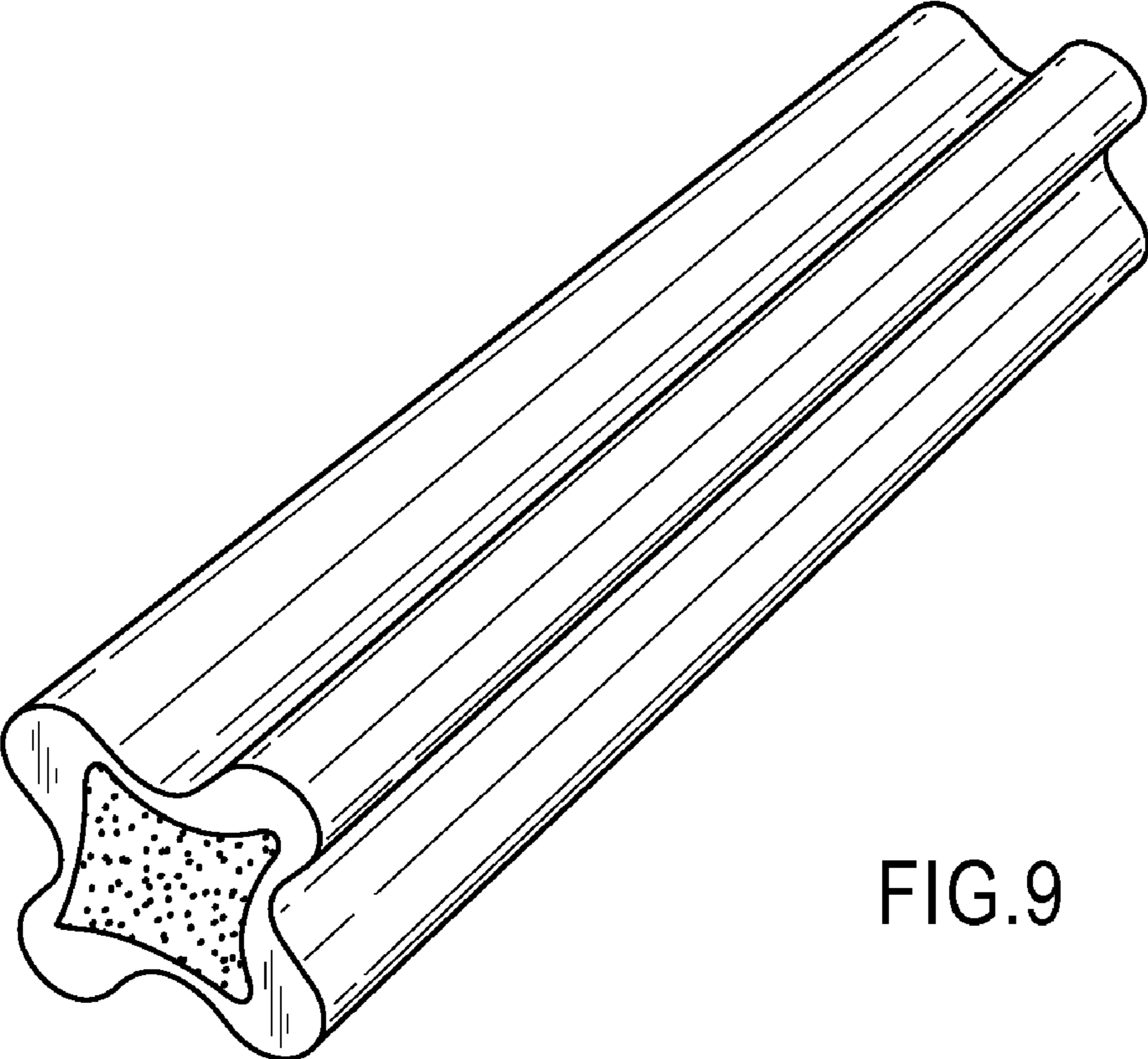


FIG.9

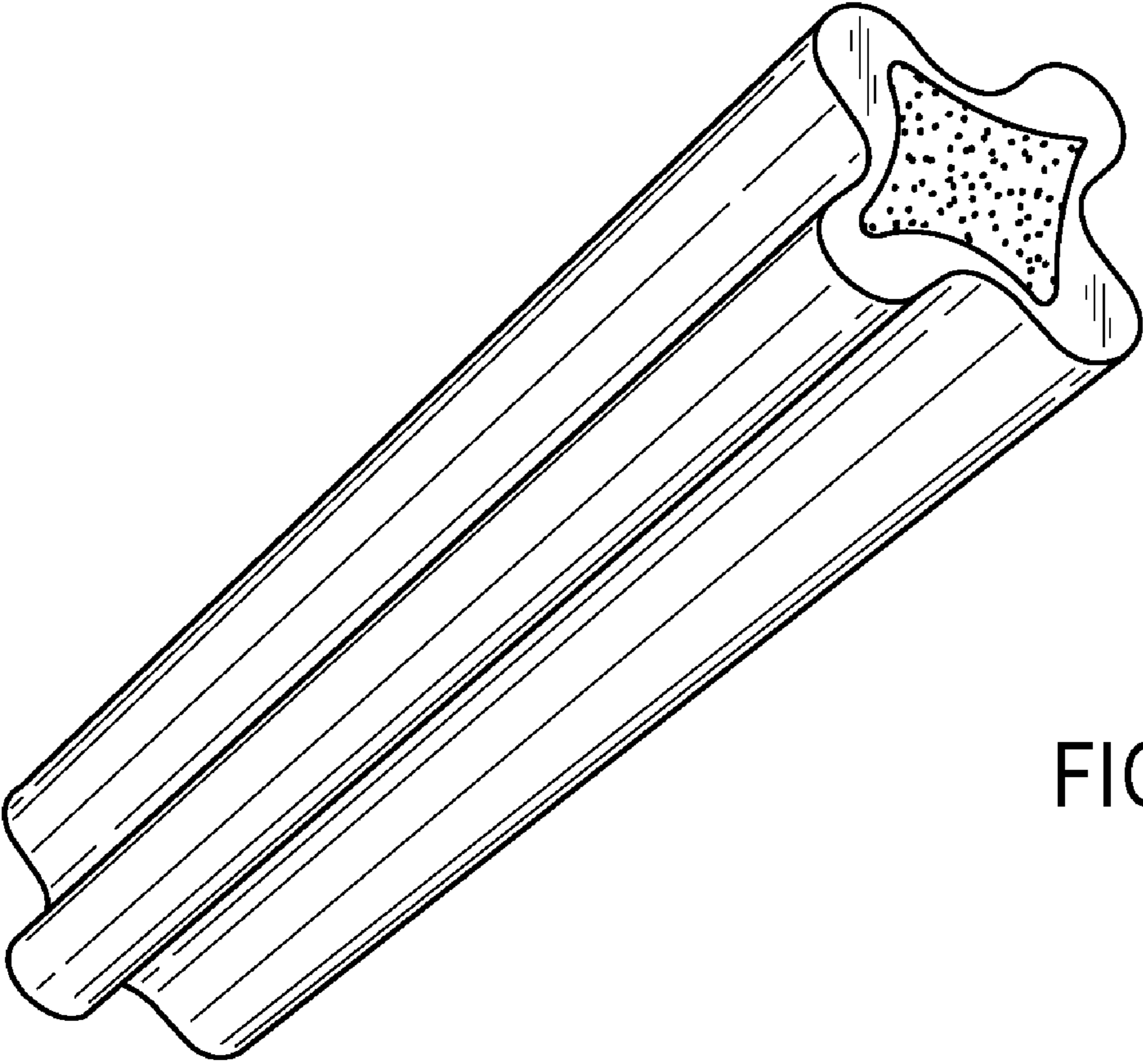


FIG.10

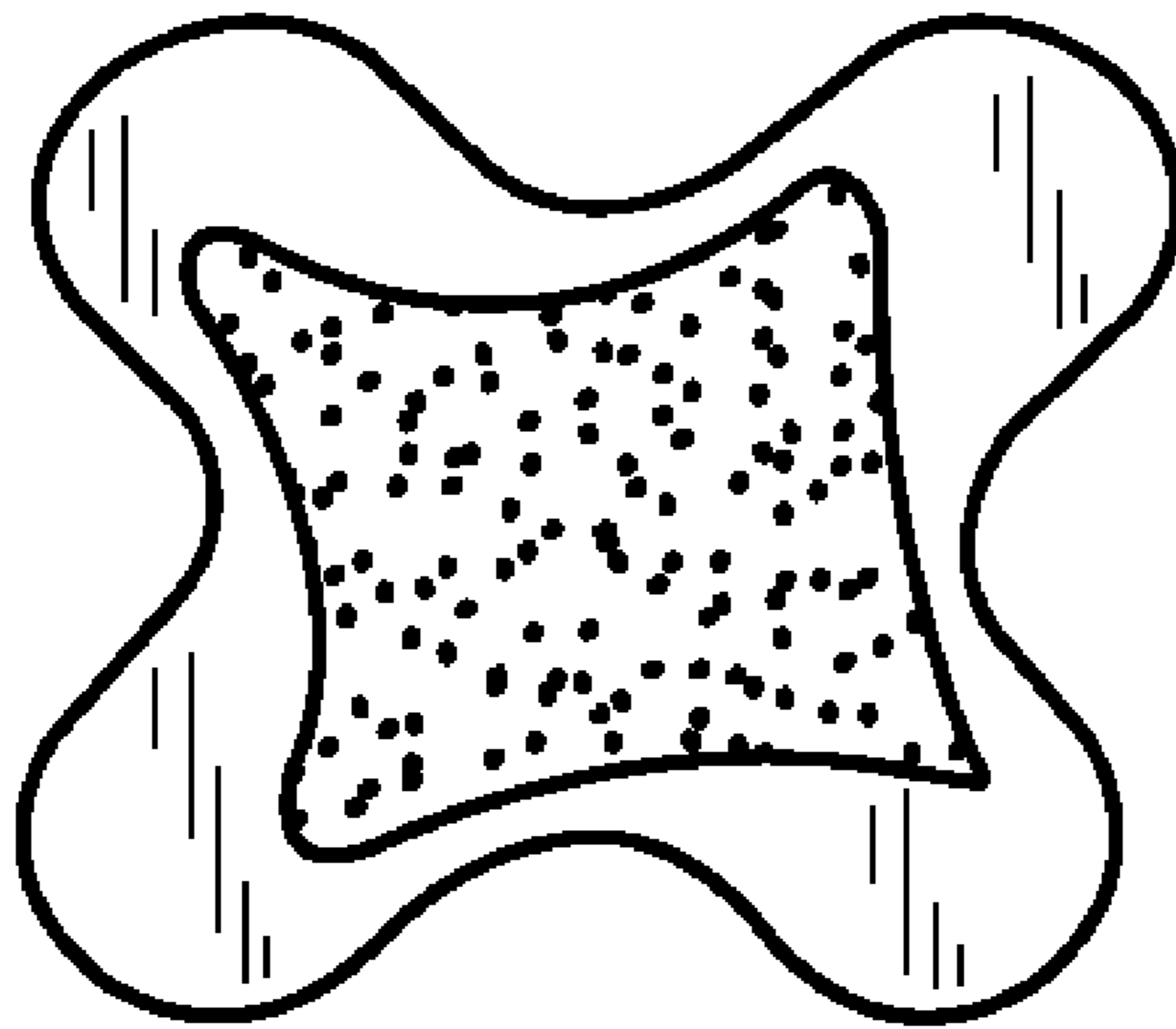


FIG. 11

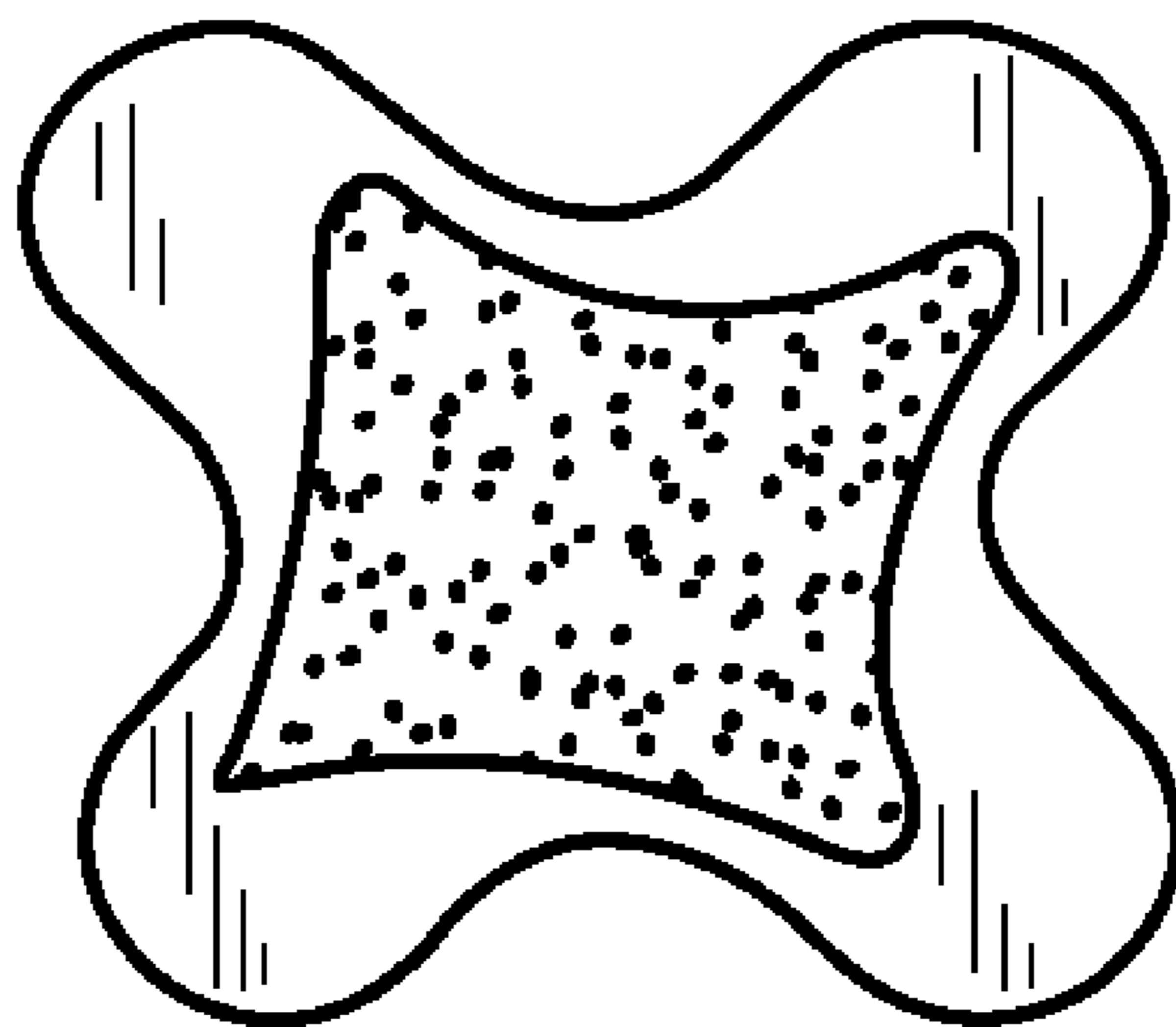


FIG. 12