



US00D603134S

(12) **United States Design Patent**
Powell

(10) **Patent No.:** **US D603,134 S**
(45) **Date of Patent:** **** Nov. 3, 2009**

- (54) **PET CHEW**
- (75) Inventor: **Rachael Powell**, Birstall (GB)
- (73) Assignee: **Mars, Incorporated**, McLean, VA (US)
- (**) Term: **14 Years**
- (21) Appl. No.: **29/325,174**
- (22) Filed: **Sep. 26, 2008**

- (30) **Foreign Application Priority Data**
- Mar. 28, 2008 (EM) 000905575-0001
- (51) **LOC (9) Cl.** **01-01**
- (52) **U.S. Cl.** **D1/199**
- (58) **Field of Classification Search** D1/100,
D1/106, 120, 125, 127-128, 199; D30/160;
D24/102, 103; 426/2, 104, 635, 805; 119/706-711
See application file for complete search history.

- (56) **References Cited**
- U.S. PATENT DOCUMENTS
- 3,344,457 A * 10/1967 Grobert 15/207.2
- D437,101 S * 2/2001 Debbouz et al. D1/126
- 6,207,216 B1 * 3/2001 Zietlow et al. 426/564
- D500,579 S * 1/2005 Tansey et al. D1/199
- D509,045 S * 9/2005 Buckley et al. D1/199
- D515,275 S * 2/2006 Leiweke et al. D1/125
- D517,774 S * 3/2006 Jia et al. D1/121
- D528,261 S * 9/2006 Mendes et al. D1/122
- D532,583 S * 11/2006 Townsend et al. D1/122
- D534,706 S * 1/2007 Cuadrado D1/125
- D536,537 S * 2/2007 Ping Sheng D5/99
- D536,538 S * 2/2007 Ping Sheng D5/99
- D538,506 S * 3/2007 Mendes et al. D1/122
- D539,550 S * 4/2007 Ping Sheng D5/99
- D586,534 S * 2/2009 Oelsner et al. D1/112
- D591,926 S * 5/2009 Jia et al. D1/125
- D593,277 S * 6/2009 Wylie D1/199

* cited by examiner

Primary Examiner—Cathron C Brooks
Assistant Examiner—Barbara Fox
(74) *Attorney, Agent, or Firm*—Arent Fox LLP

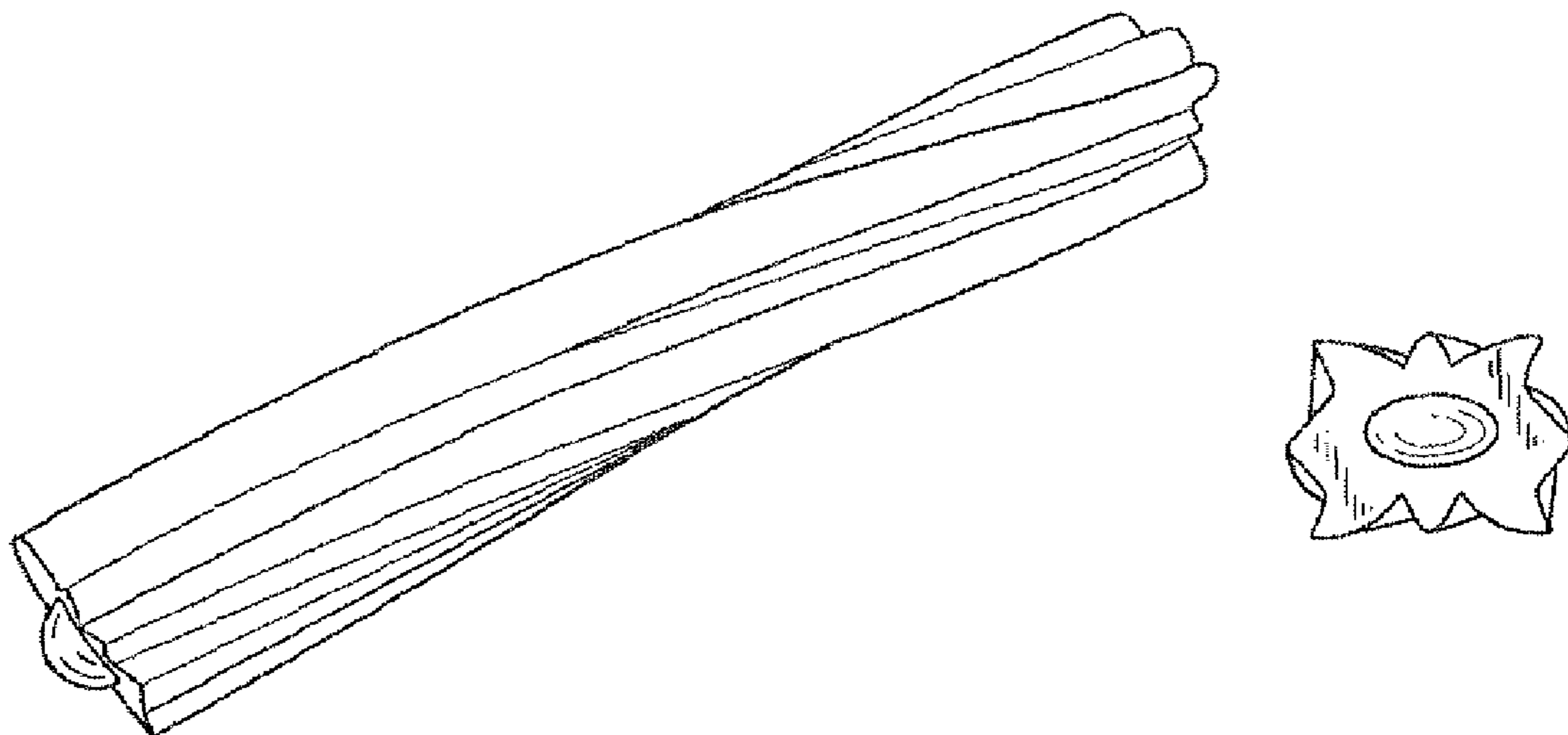
(57) **CLAIM**

The ornamental design for a pet chew, as shown and described.

DESCRIPTION

FIG. 1 is a front, left perspective view of a first embodiment of a pet chew showing my new design;
 FIG. 2 is a front view of the design shown in FIG. 1;
 FIG. 3 is a rear view of the design shown in FIG. 1;
 FIG. 4 is a top view of the design shown in FIG. 1;
 FIG. 5 is a bottom view of the design shown in FIG. 1;
 FIG. 6 is a left side view of the design shown in FIG. 1;
 FIG. 7 is a right side view of the design shown in FIG. 1;
 FIG. 8 is a front, left perspective view of a second embodiment of a pet chew showing my new design;
 FIG. 9 is a front view of the design shown in FIG. 8;
 FIG. 10 is a rear view of the design shown in FIG. 8;
 FIG. 11 is a top view of the design shown in FIG. 8;
 FIG. 12 is a bottom view of the design shown in FIG. 8;
 FIG. 13 is a left side view of the design shown in FIG. 8;
 FIG. 14 is a right side view of the design shown in FIG. 8;
 FIG. 15 is a front, left perspective view of a third embodiment of a pet chew showing my new design;
 FIG. 16 is a front view of the design shown in FIG. 15;
 FIG. 17 is a rear view of the design shown in FIG. 15;
 FIG. 18 is a top view of the design shown in FIG. 15;
 FIG. 19 is a bottom view of the design shown in FIG. 15;
 FIG. 20 is a left side view of the design shown in FIG. 15; and,
 FIG. 21 is a right side view of the design shown in FIG. 15.

1 Claim, 3 Drawing Sheets



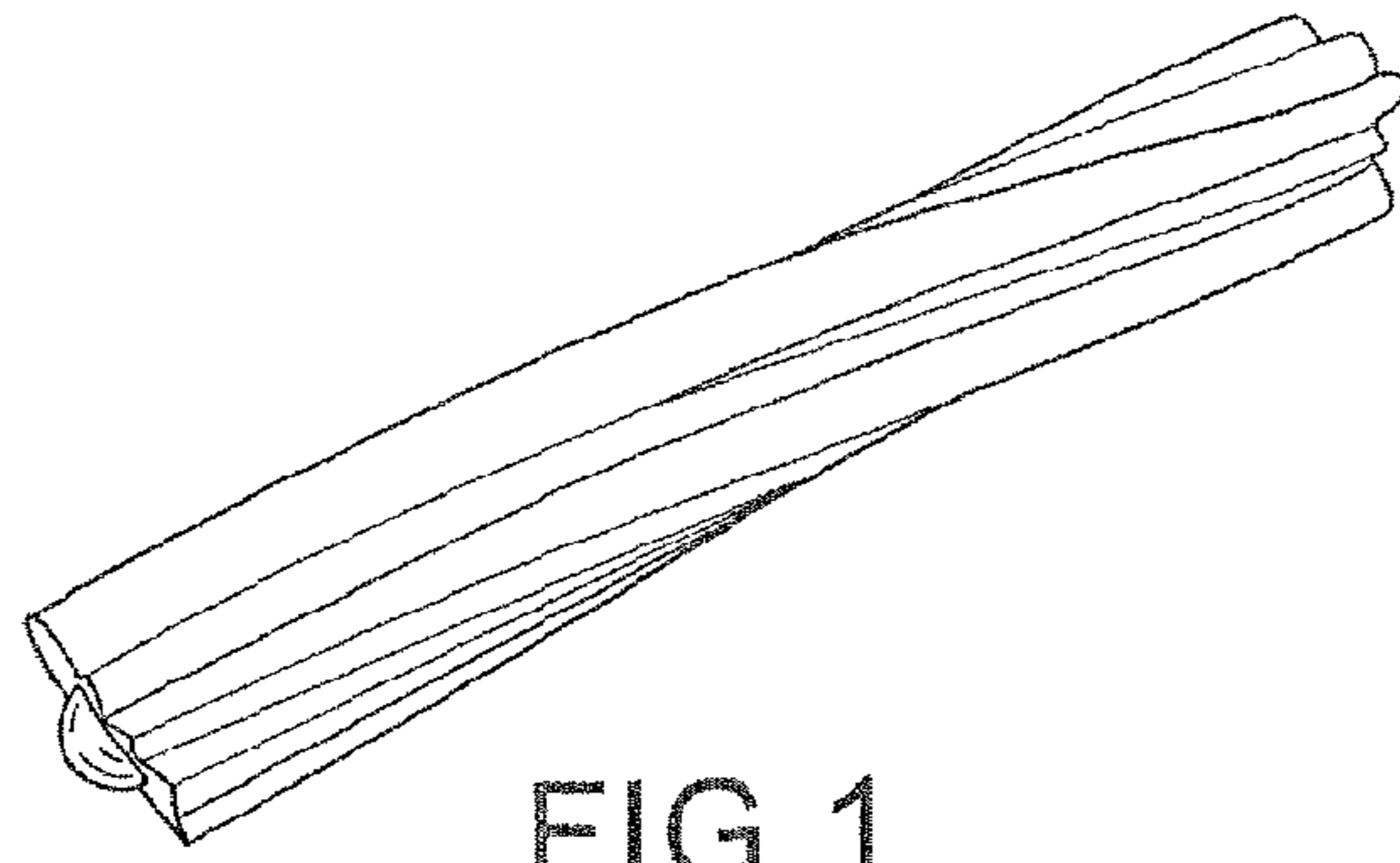


FIG. 1

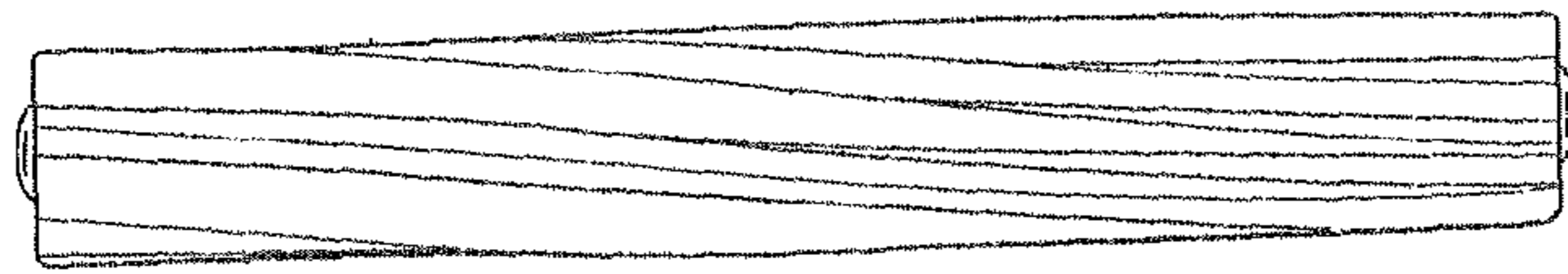


FIG. 2



FIG. 3

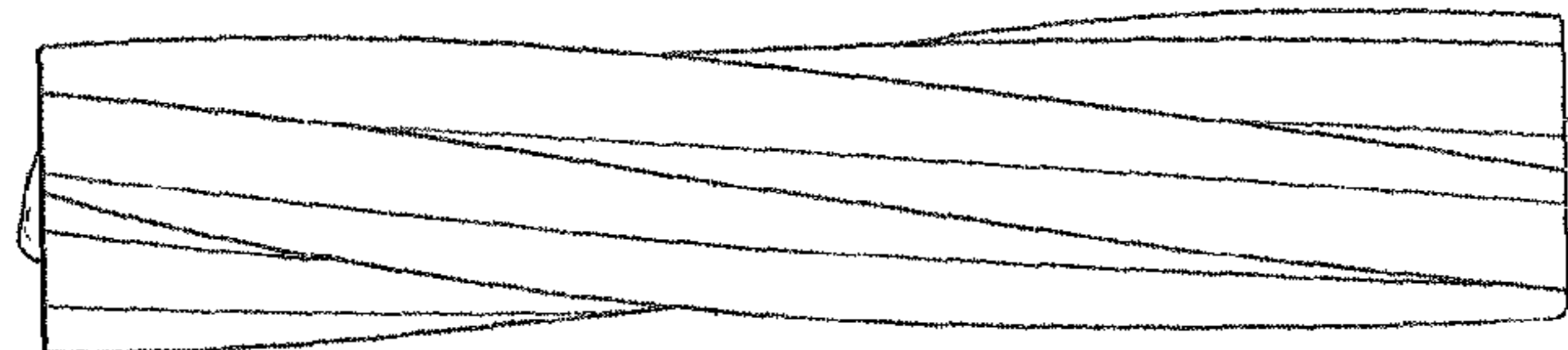


FIG. 4

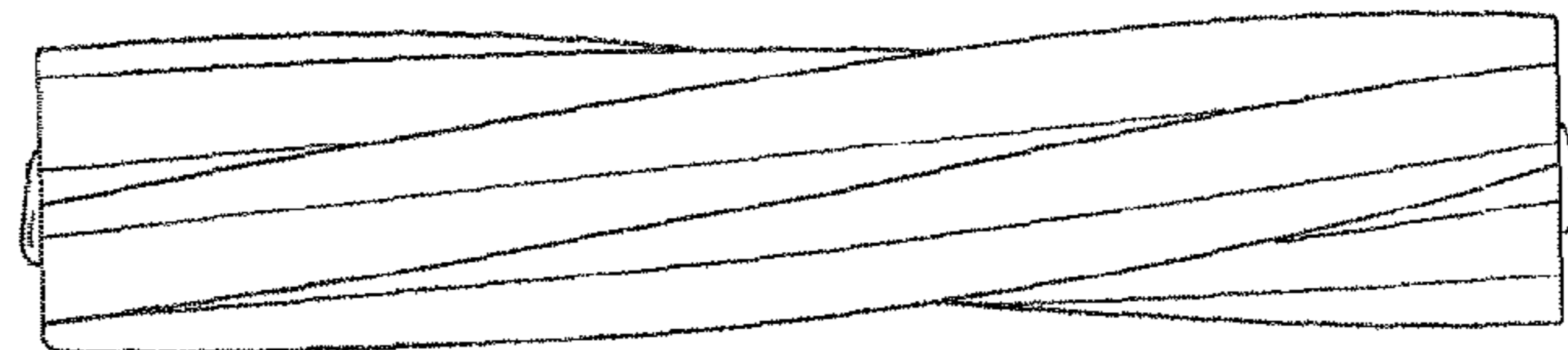


FIG. 5



FIG. 6



FIG. 7

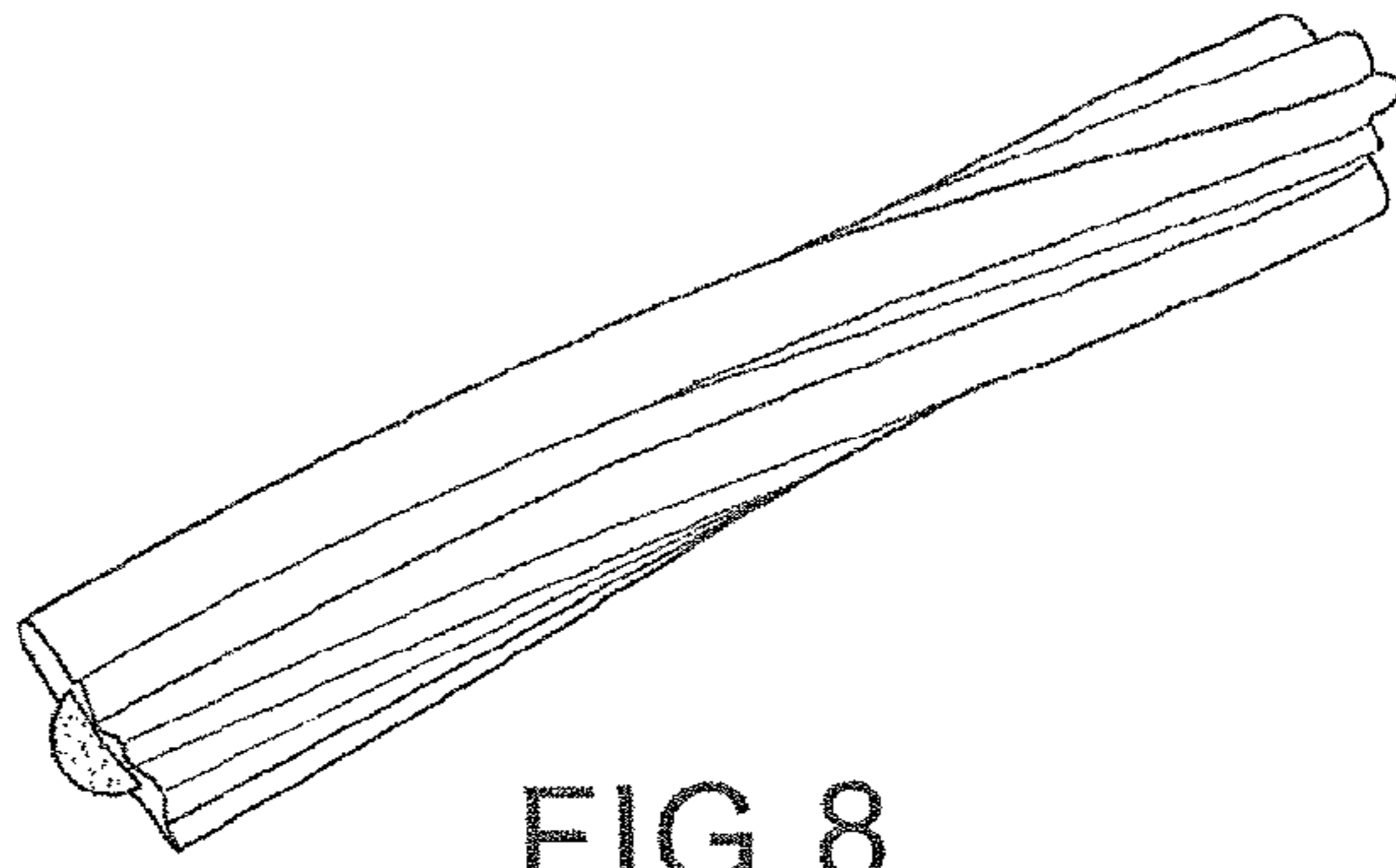


FIG. 8

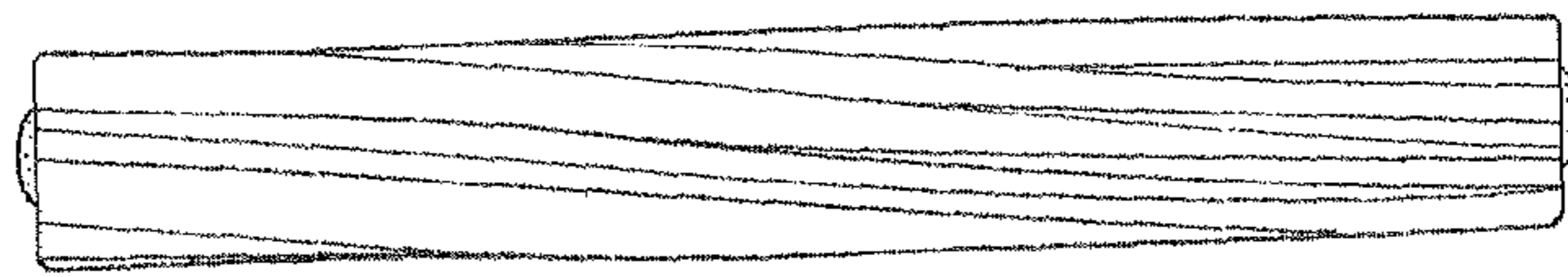


FIG. 9

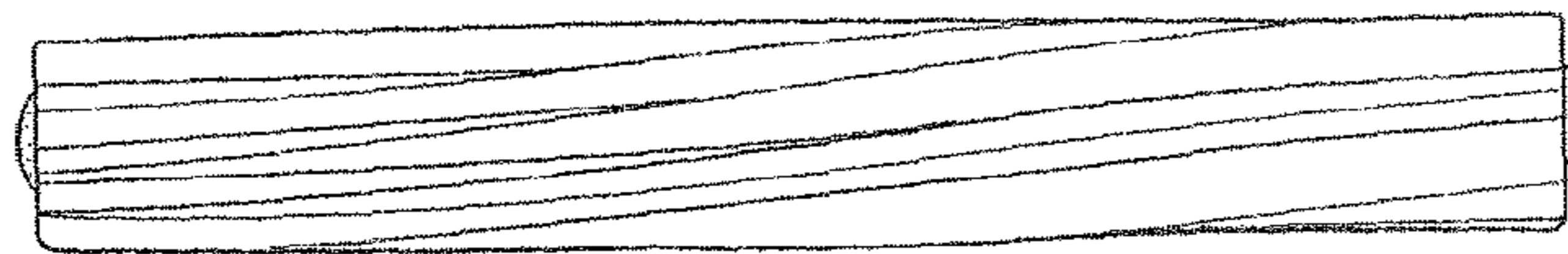


FIG. 10

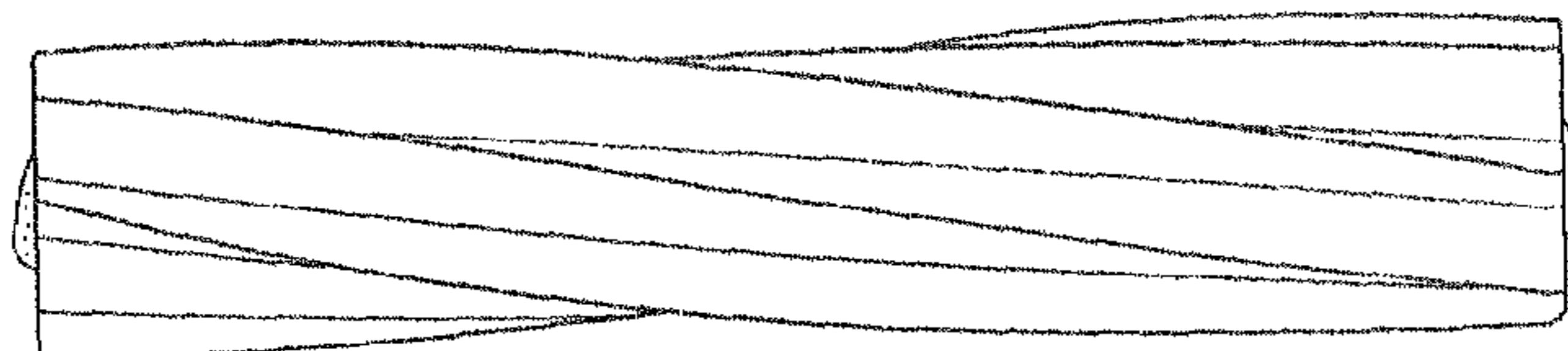


FIG. 11

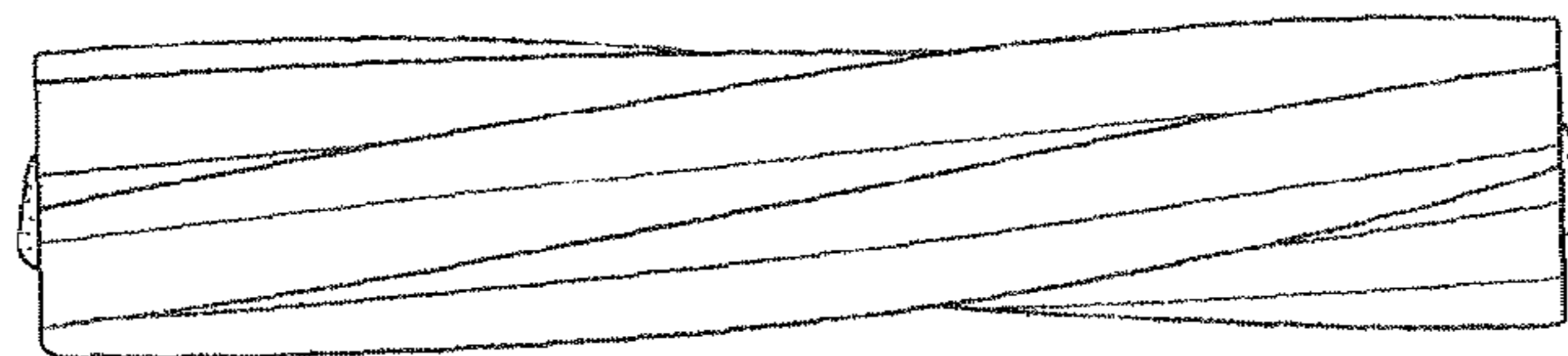


FIG. 12

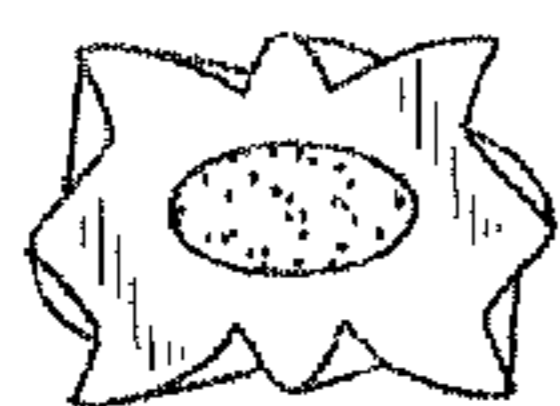


FIG. 13

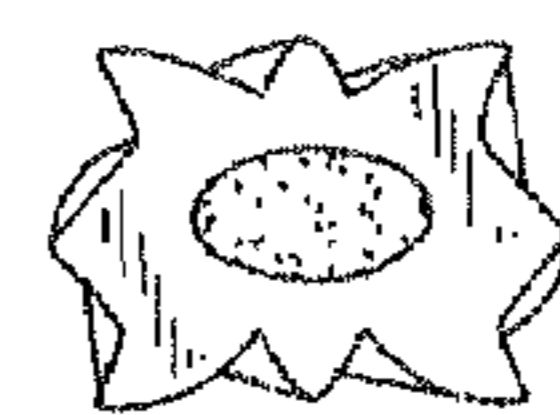


FIG. 14

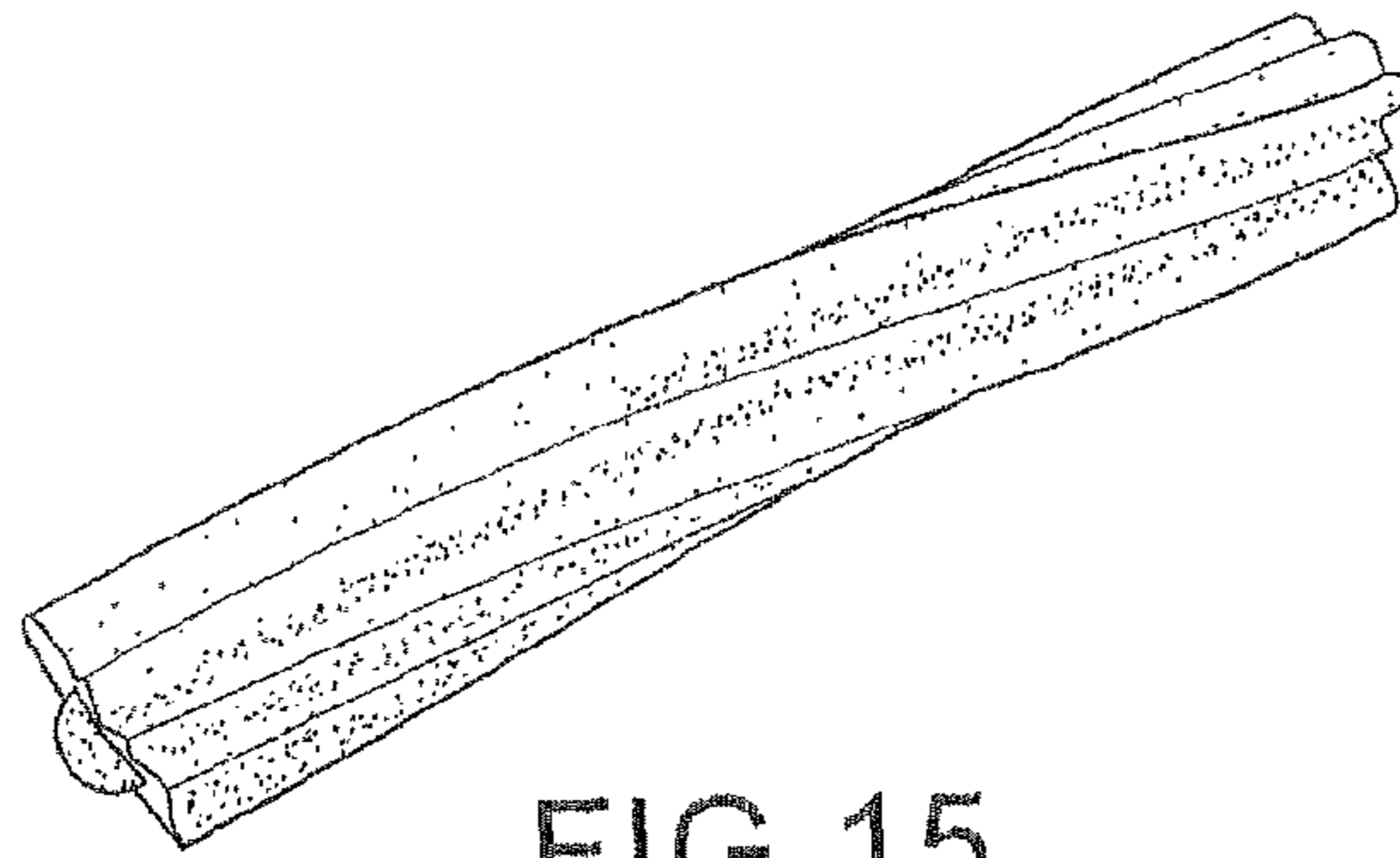


FIG. 15

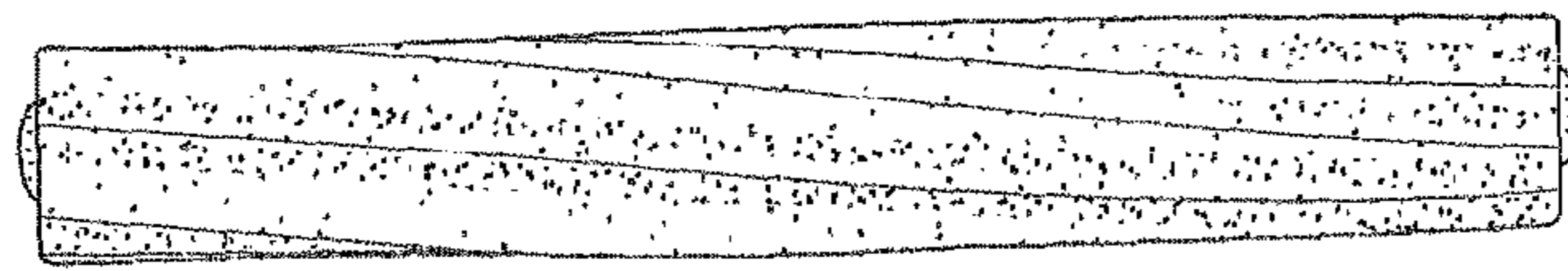


FIG. 16

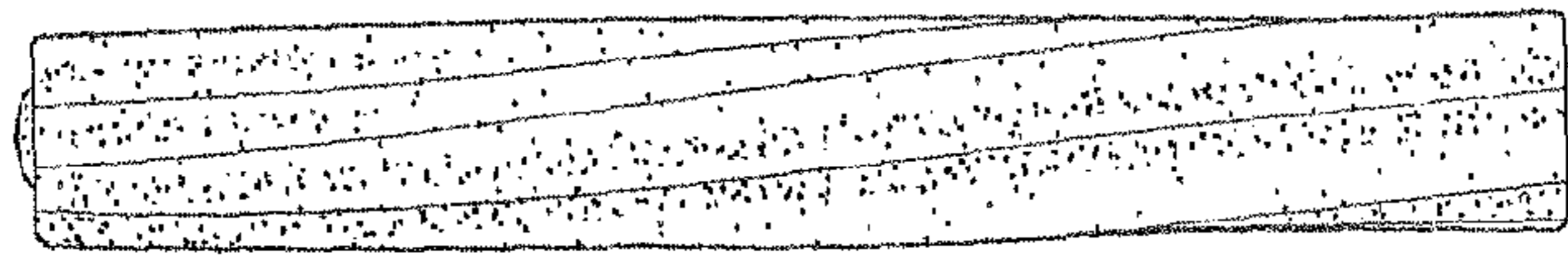


FIG. 17



FIG. 18

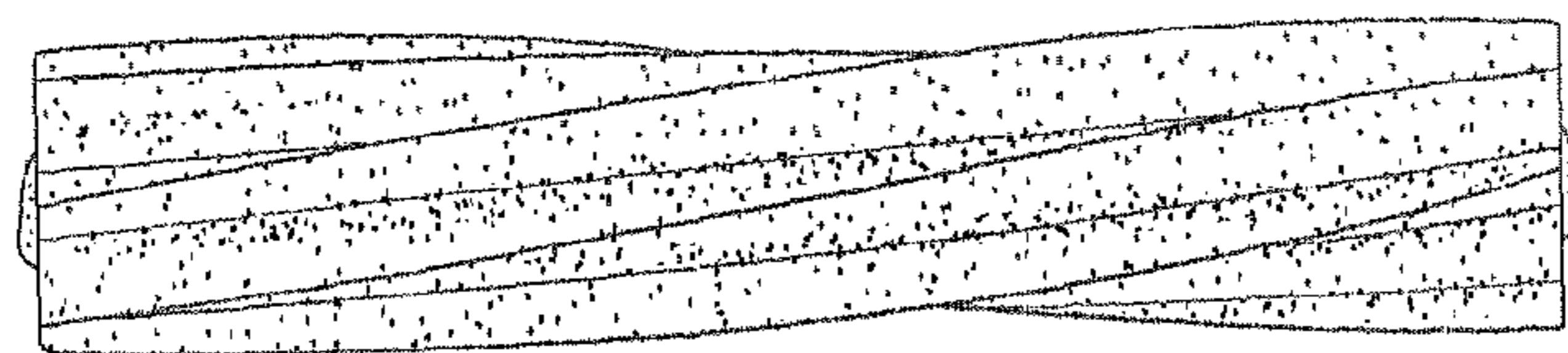


FIG. 19



FIG. 20



FIG. 21