



US00D603123S

(12) **United States Design Patent**
CanTERS et al.

(10) **Patent No.:** **US D603,123 S**

(45) **Date of Patent:** **** Oct. 27, 2009**

(54) **TRANSPORT RACK**

(75) Inventors: **Gero Canters**, Lampertheim (DE);
Hans-Christian Jungmann,
Gorxheimertal (DE); **Eugen Kloos**,
Bensheim (DE)

(73) Assignee: **Wabco GmbH**, Hannover (DE)

(**) Term: **14 Years**

(21) Appl. No.: **29/313,671**

(22) Filed: **Jan. 29, 2009**

(30) **Foreign Application Priority Data**

Aug. 2, 2008 (DE) 40 2008 003 673

(51) **LOC (9) Cl.** **09-08**

(52) **U.S. Cl.** **D34/38**

(58) **Field of Classification Search** D34/38;
108/51.11, 52.1, 55.1, 55.3, 55.5, 901, 56.1
See application file for complete search history.

(56) **References Cited**

U.S. PATENT DOCUMENTS

2,669,373	A *	2/1954	Coit, Jr.	220/668
2,775,360	A *	12/1956	Phillips	220/4.28
3,499,398	A *	3/1970	Murray	108/53.5
3,620,388	A *	11/1971	Mansson	108/53.1
3,878,795	A *	4/1975	Janda	108/55.1
4,186,841	A *	2/1980	Buckley et al.	220/6
4,662,532	A *	5/1987	Anderson et al.	220/7
D442,758	S *	5/2001	Bowman et al.	D34/38

D547,525	S *	7/2007	Naruishi et al.	D34/38
D574,573	S *	8/2008	Golias et al.	D34/38
2006/0112864	A1 *	6/2006	Ni	108/55.1
2009/0050031	A1 *	2/2009	Cai	108/55.5

* cited by examiner

Primary Examiner—Cynthia E Ramirez

(74) *Attorney, Agent, or Firm*—Kramer Levin Naftalis & Frankel LLP

(57) **CLAIM**

The ornamental design for a transport rack, as shown and described.

DESCRIPTION

FIG. 1 is a front, top, right side perspective view of a transport rack showing the new design;

FIG. 2 is a top perspective view thereof;

FIG. 3 is a front perspective view thereof;

FIG. 4 is a right side perspective view thereof;

FIG. 5 is a left side perspective view thereof;

FIG. 6 is a rear perspective view thereof;

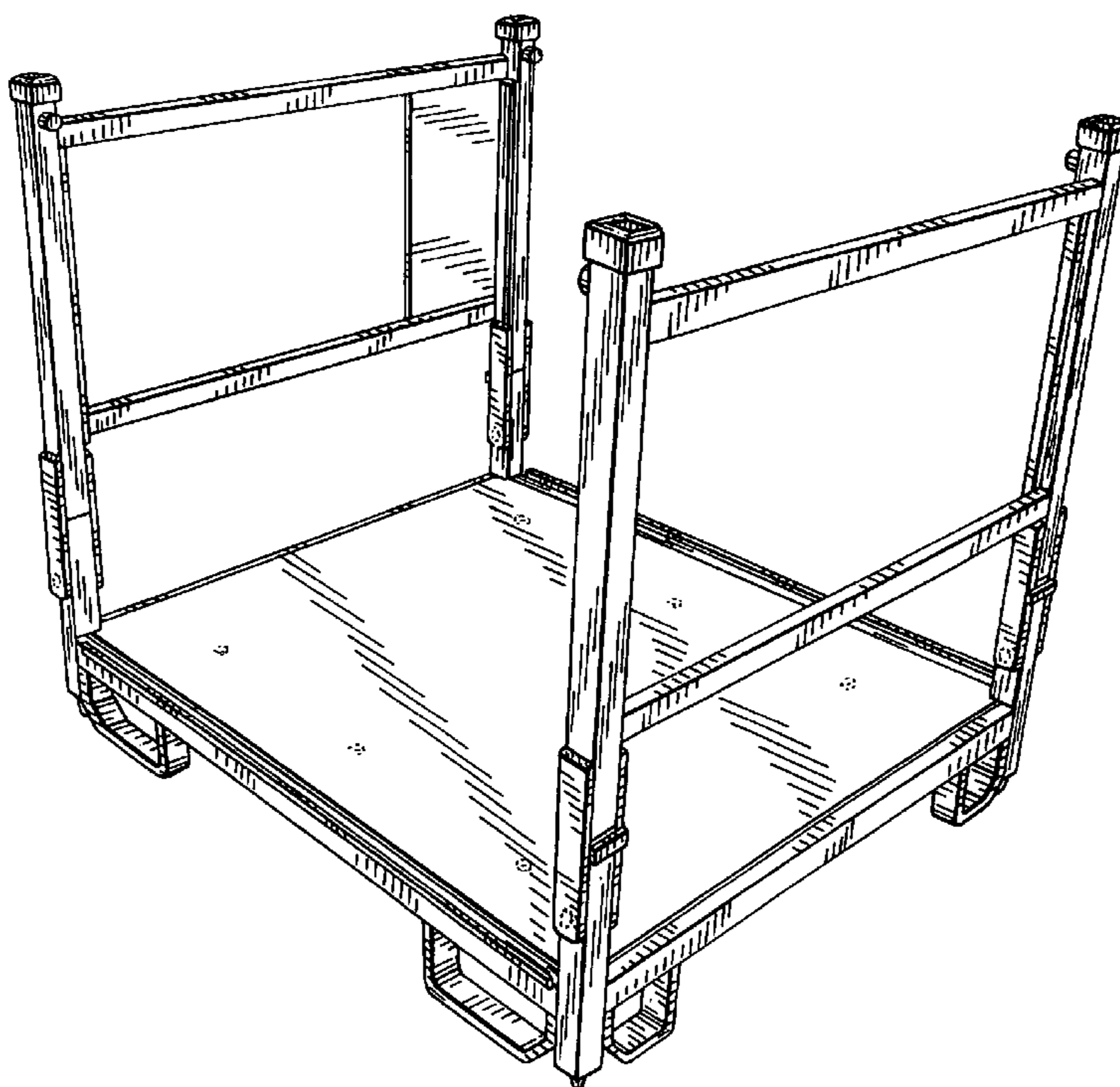
FIG. 7 is a bottom perspective view thereof;

FIG. 8 is a front perspective view thereof, showing an alternative position of FIG. 3; and,

FIG. 9 is a rear, top, left side perspective view thereof.

The portions of the design depicted in broken lines form no part of the claimed design.

1 Claim, 9 Drawing Sheets



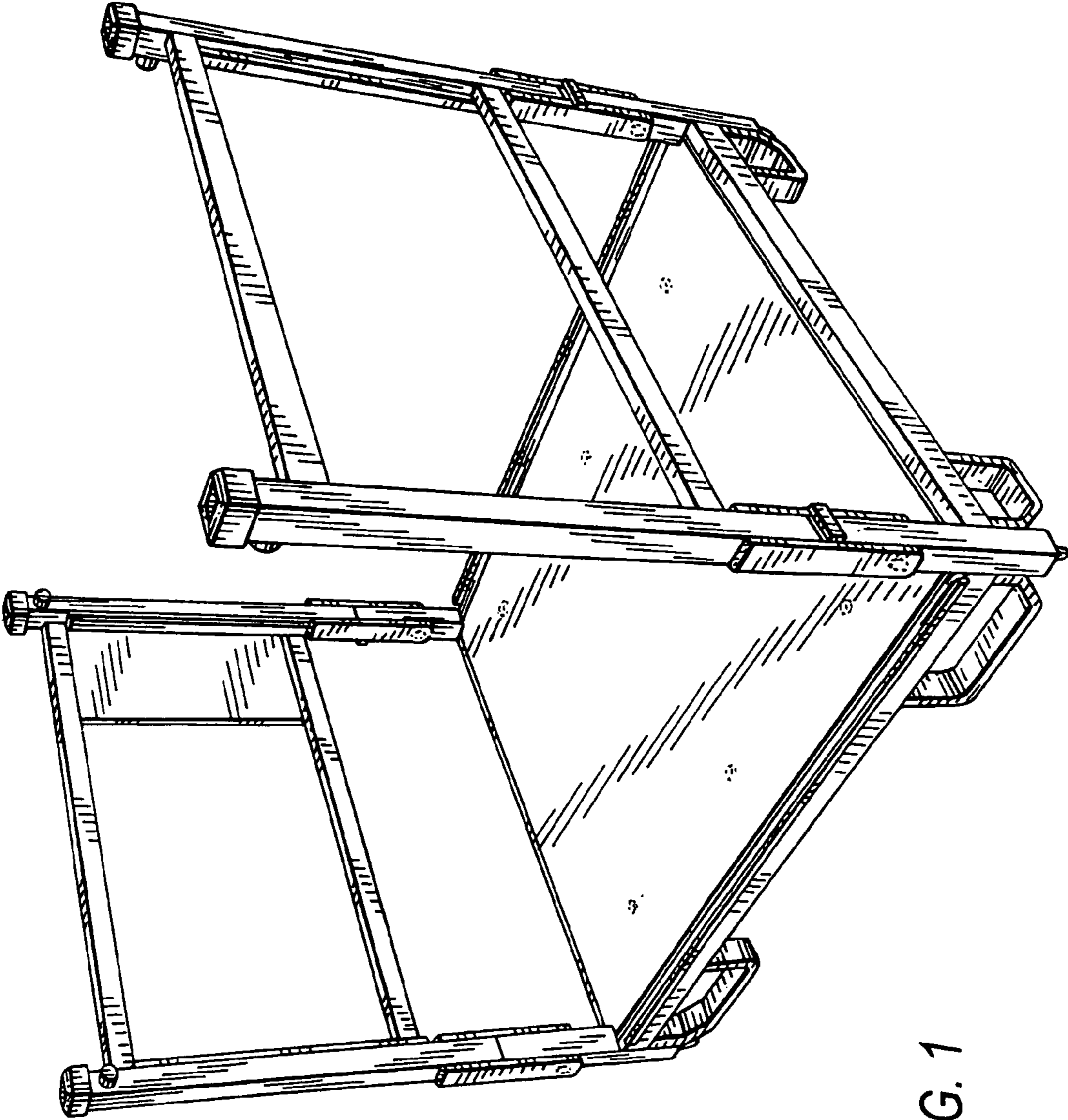


FIG. 1

FIG. 2

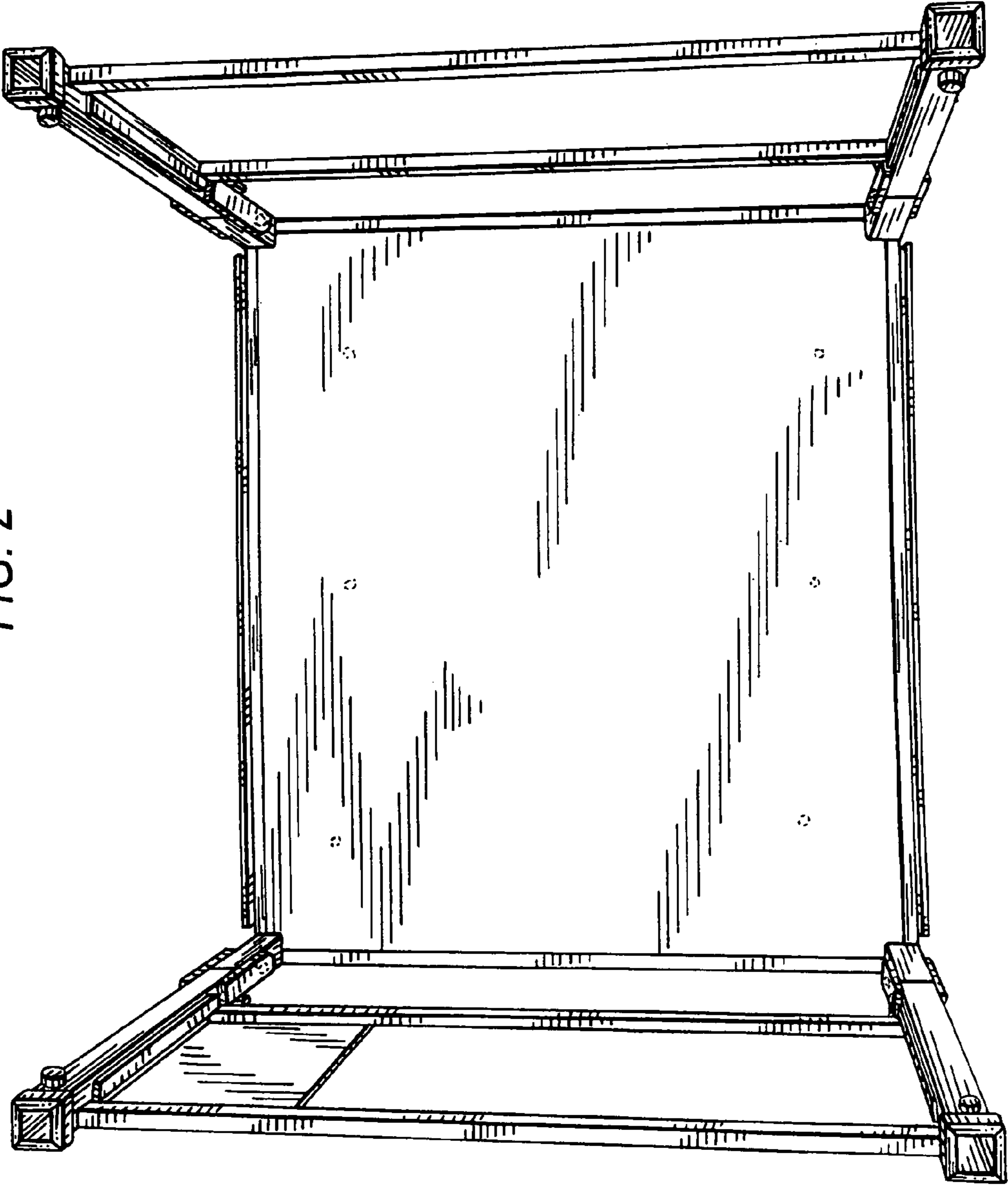
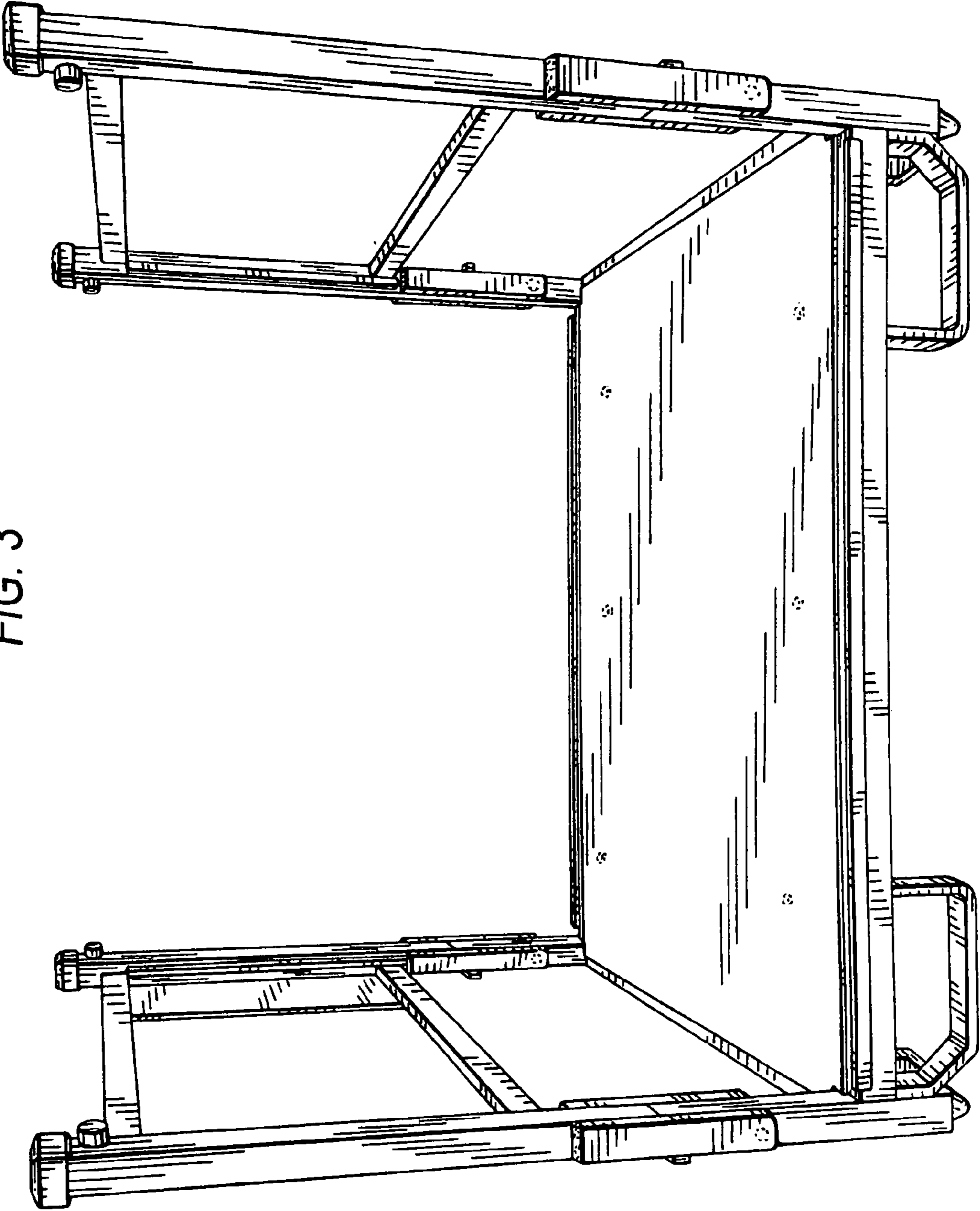


FIG. 3



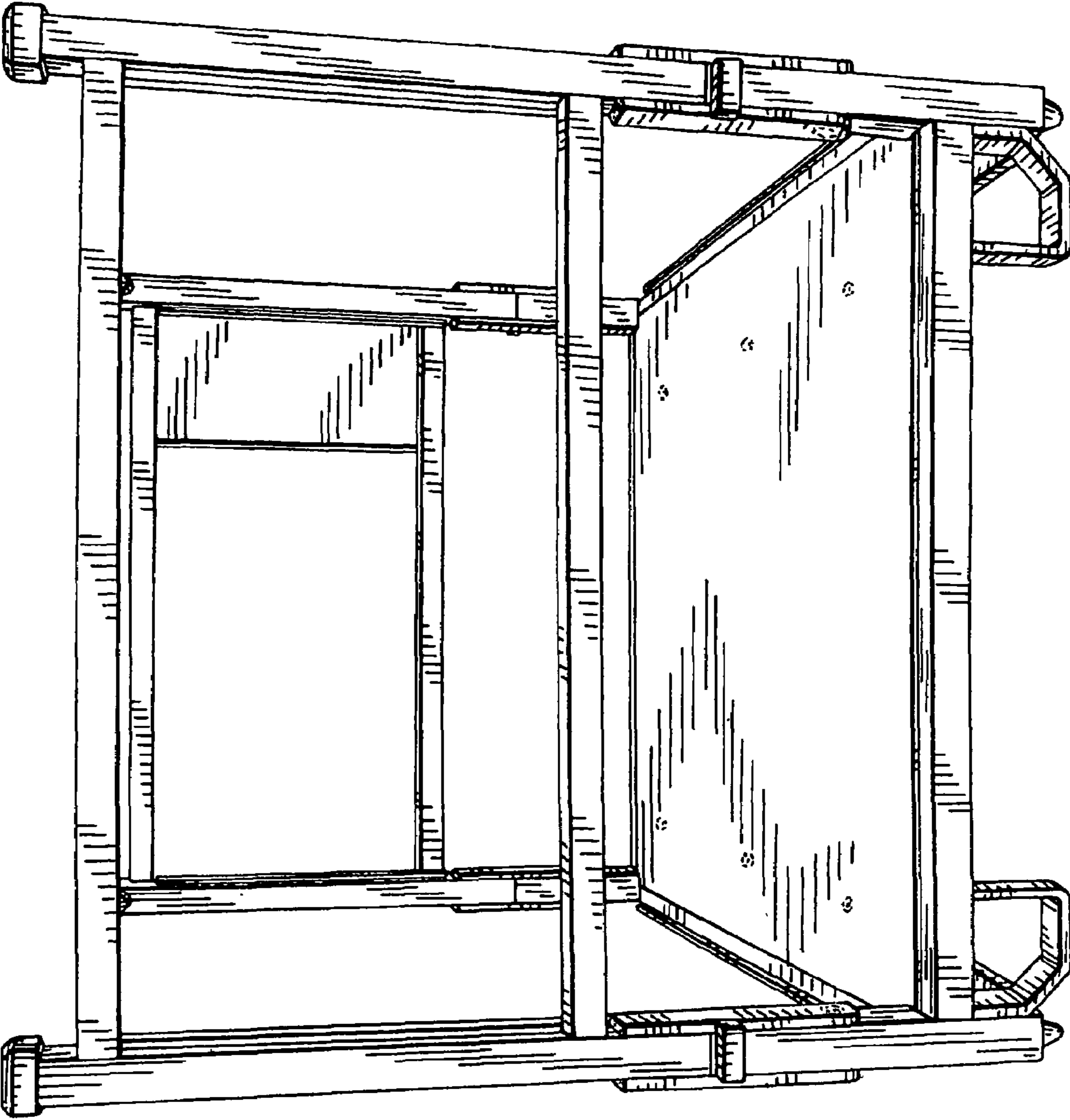


FIG. 4

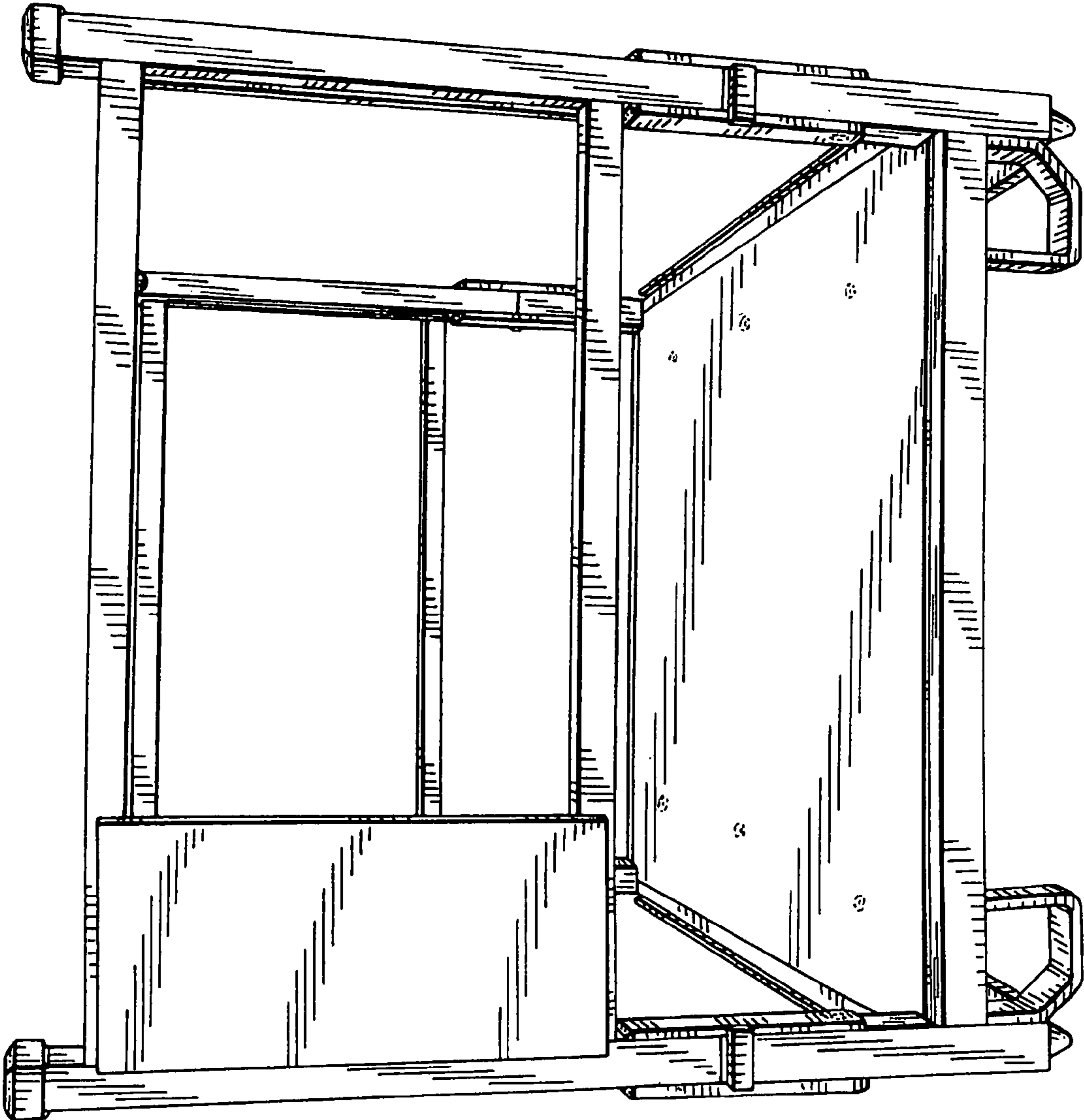


FIG. 5

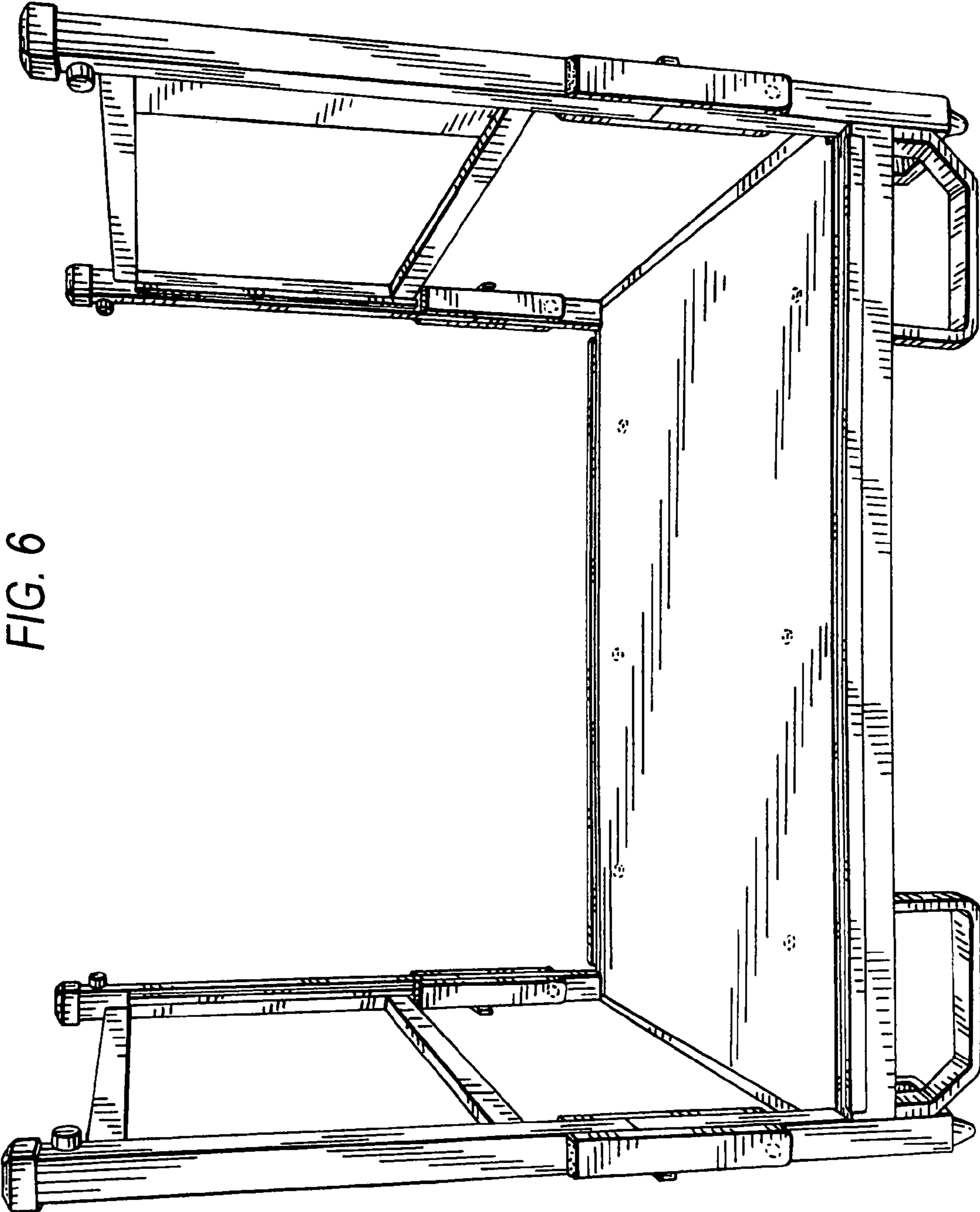


FIG. 6

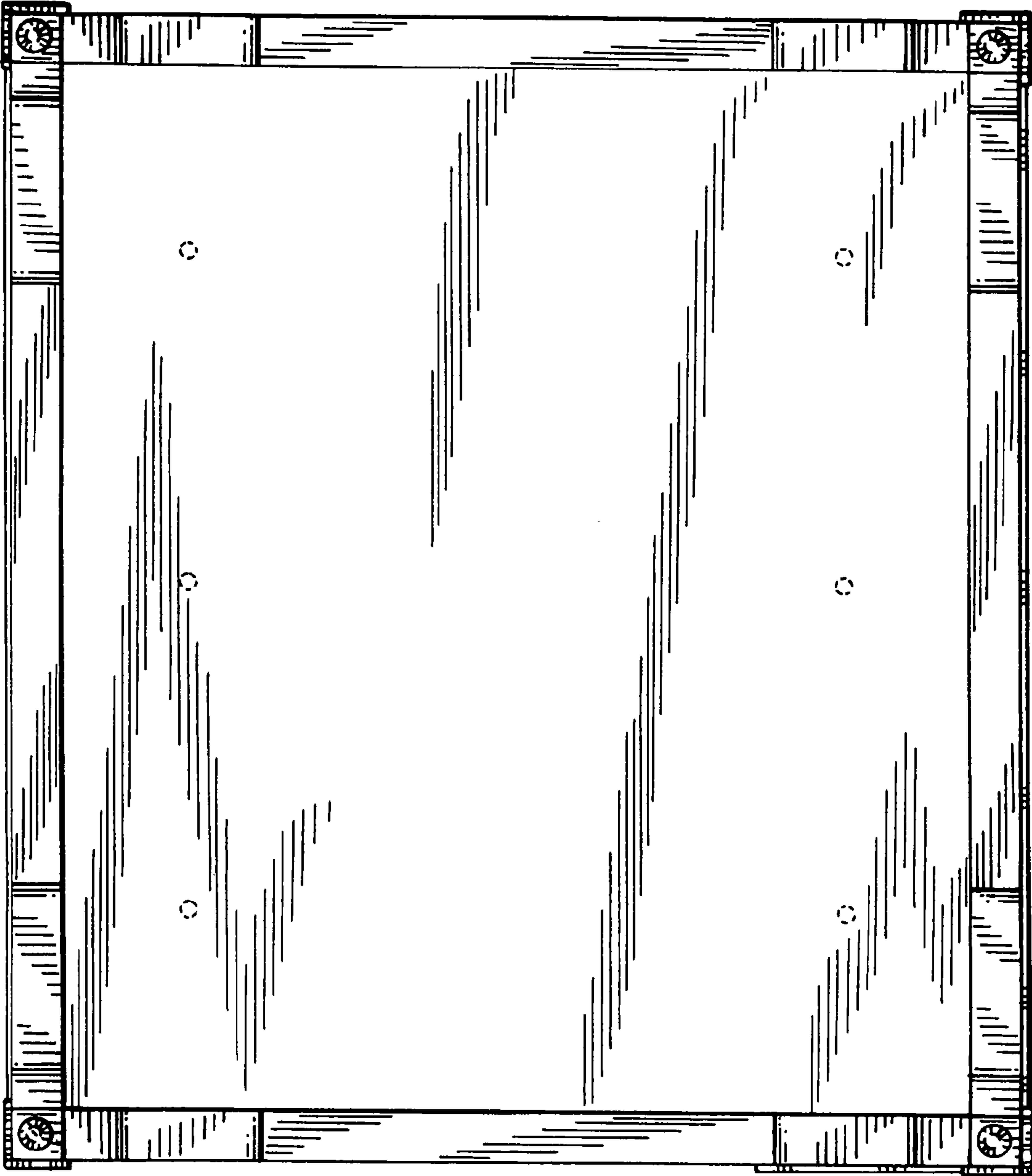


FIG. 7

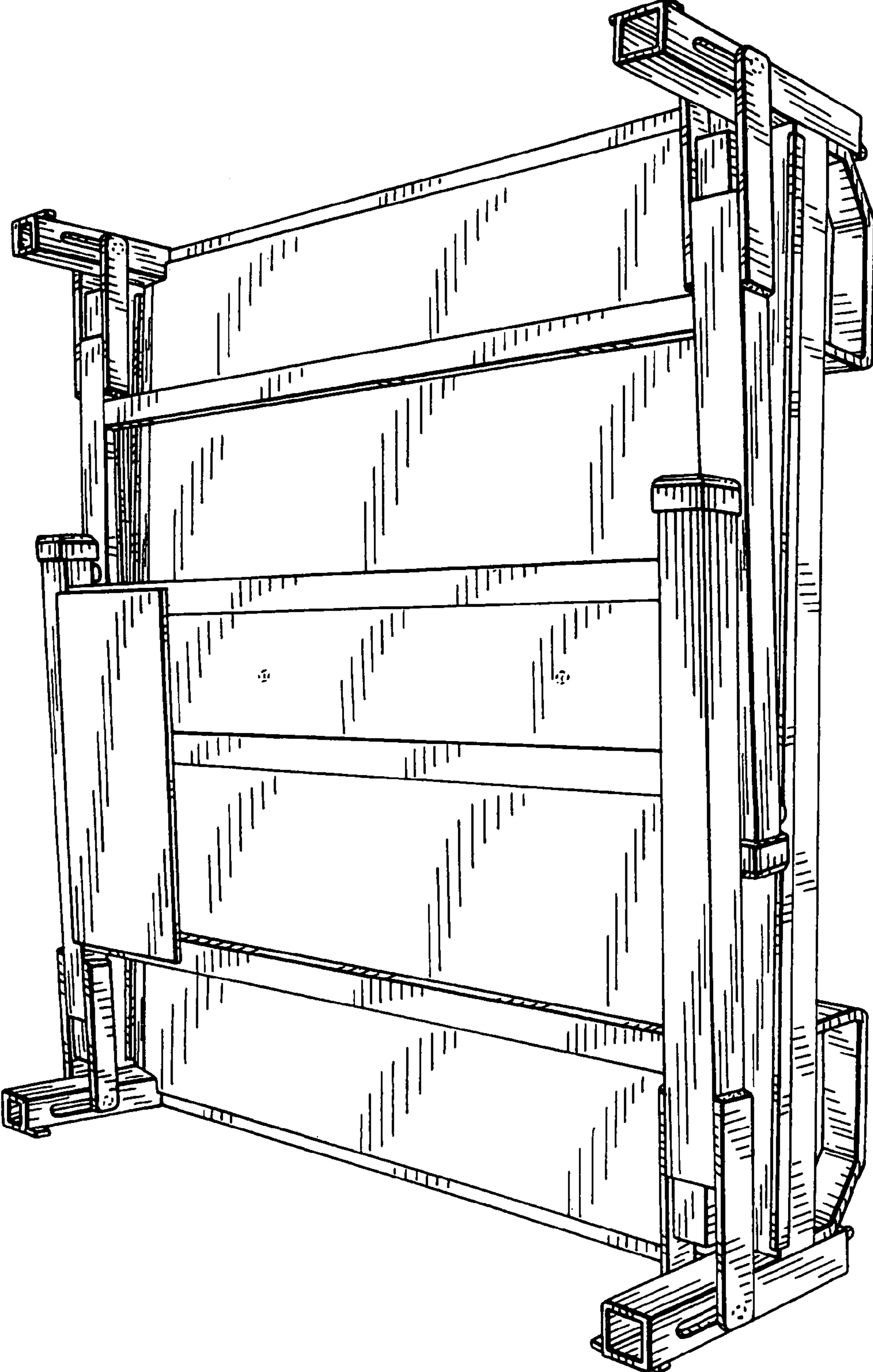


FIG. 8

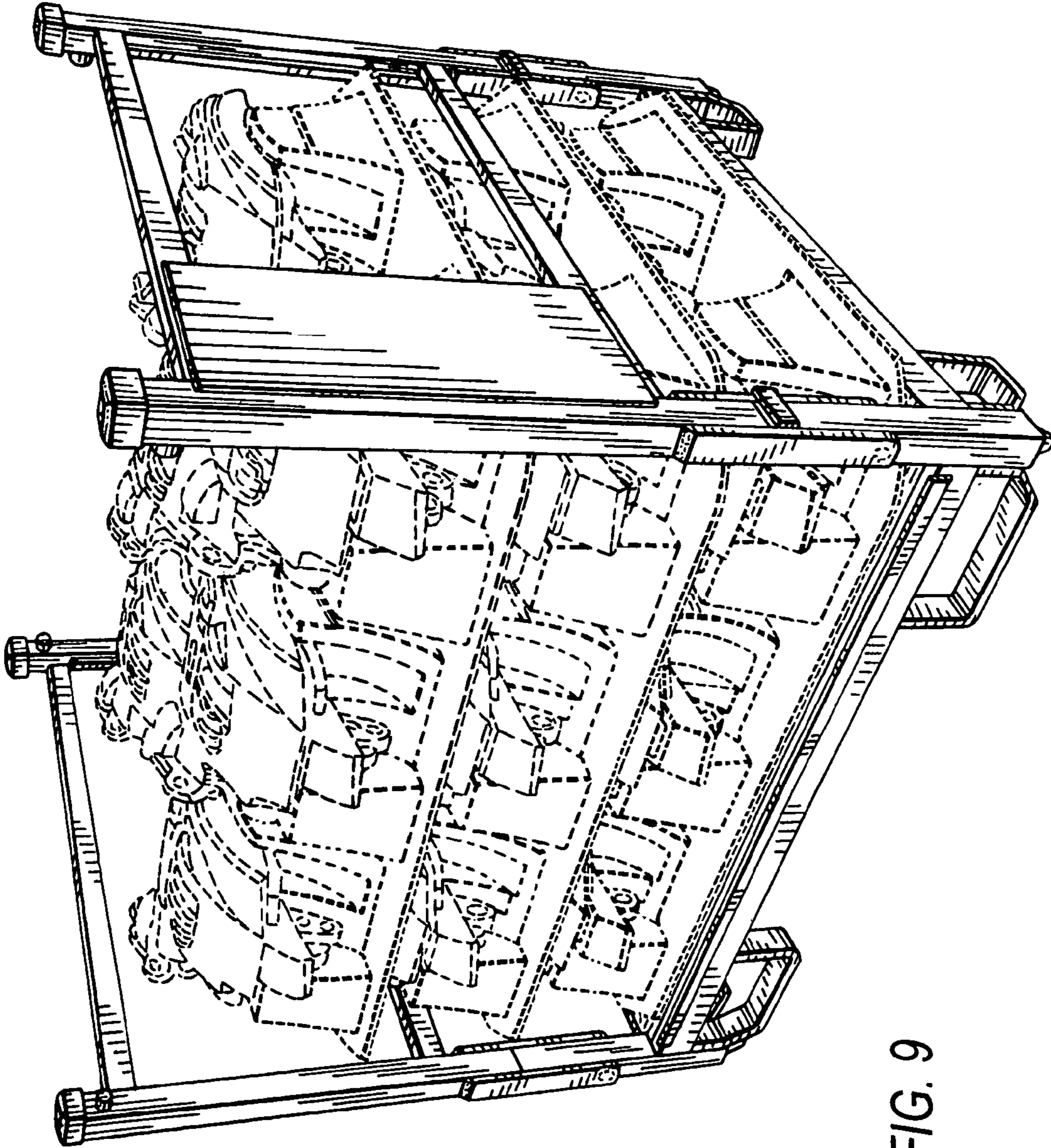


FIG. 9