



US00D603121S

(12) **United States Design Patent**
Schwager

(10) **Patent No.:** **US D603,121 S**

(45) **Date of Patent:** **** Oct. 27, 2009**

(54) **THREE-WHEELED CART**

D438,682 S * 3/2001 Furuta et al. D34/15
D462,493 S * 9/2002 Sivells et al. D34/12

(75) Inventor: **Raymond A. Schwager**, 8325 Kyle St.,
Sunland, CA (US) 91040

(73) Assignee: **Raymond A. Schwager**, Sunland, CA
(US)

(**) Term: **14 Years**

(21) Appl. No.: **29/328,746**

(22) Filed: **Dec. 1, 2008**

(51) **LOC (9) Cl.** **12-02**

(52) **U.S. Cl.** **D34/18**

(58) **Field of Classification Search** D34/12-27;
280/47.19, 47.24, 47.26, 47.27, 79.5, 79.11,
280/651, 652

See application file for complete search history.

(56) **References Cited**

U.S. PATENT DOCUMENTS

D101,137 S * 9/1936 Penna D34/16
D186,326 S * 10/1959 Palma D21/534
D269,215 S * 5/1983 Caine D34/17
4,709,440 A * 12/1987 Conelly 15/257.3
D295,096 S * 4/1988 Smith D34/5
D309,517 S * 7/1990 Hawkins D34/17
D343,039 S * 1/1994 Knox D34/18
D353,698 S * 12/1994 Stevens et al. D34/15

OTHER PUBLICATIONS

U.S. Appl. No. 12/351,722, filed Jan. 9, 2009, Raymond A. Schwager.

U.S. Appl. No. 12/389,285, filed Feb. 19, 2009, Raymond A. Schwager.

* cited by examiner

Primary Examiner—Cynthia E Ramirez

(74) *Attorney, Agent, or Firm*—Knobbe Martens Olson & Bear, LLP

(57) **CLAIM**

The ornamental design for a three-wheeled cart, as shown and described.

DESCRIPTION

FIG. 1 is a top and side perspective view of a three-wheeled cart showing my new design;

FIG. 2 is a front end view thereof;

FIG. 3 is a rear end view thereof;

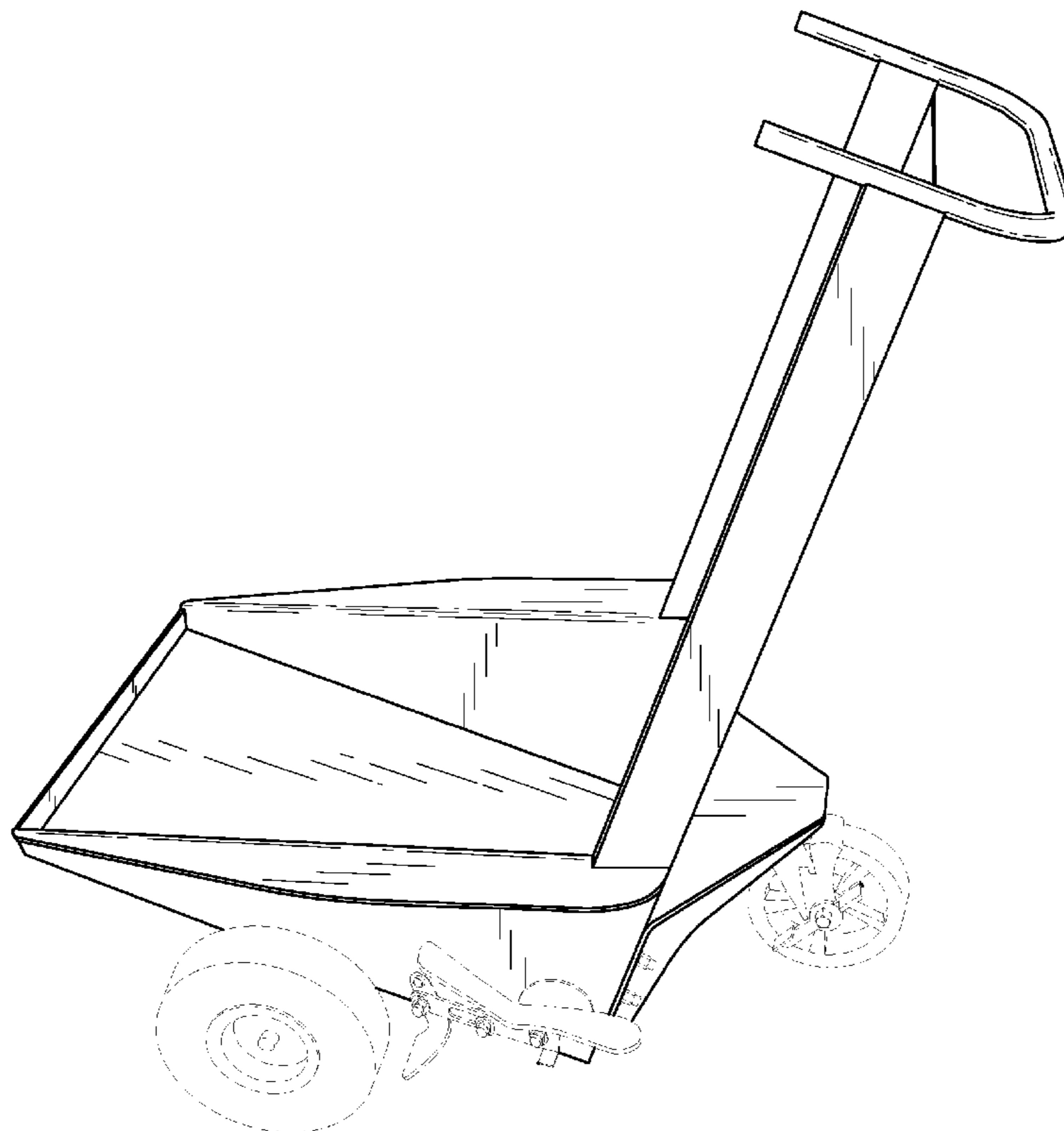
FIG. 4 is a left side view thereof;

FIG. 5 is a right side view thereof;

FIG. 6 is a top view thereof; and,

FIG. 7 is a bottom view thereof.

1 Claim, 4 Drawing Sheets



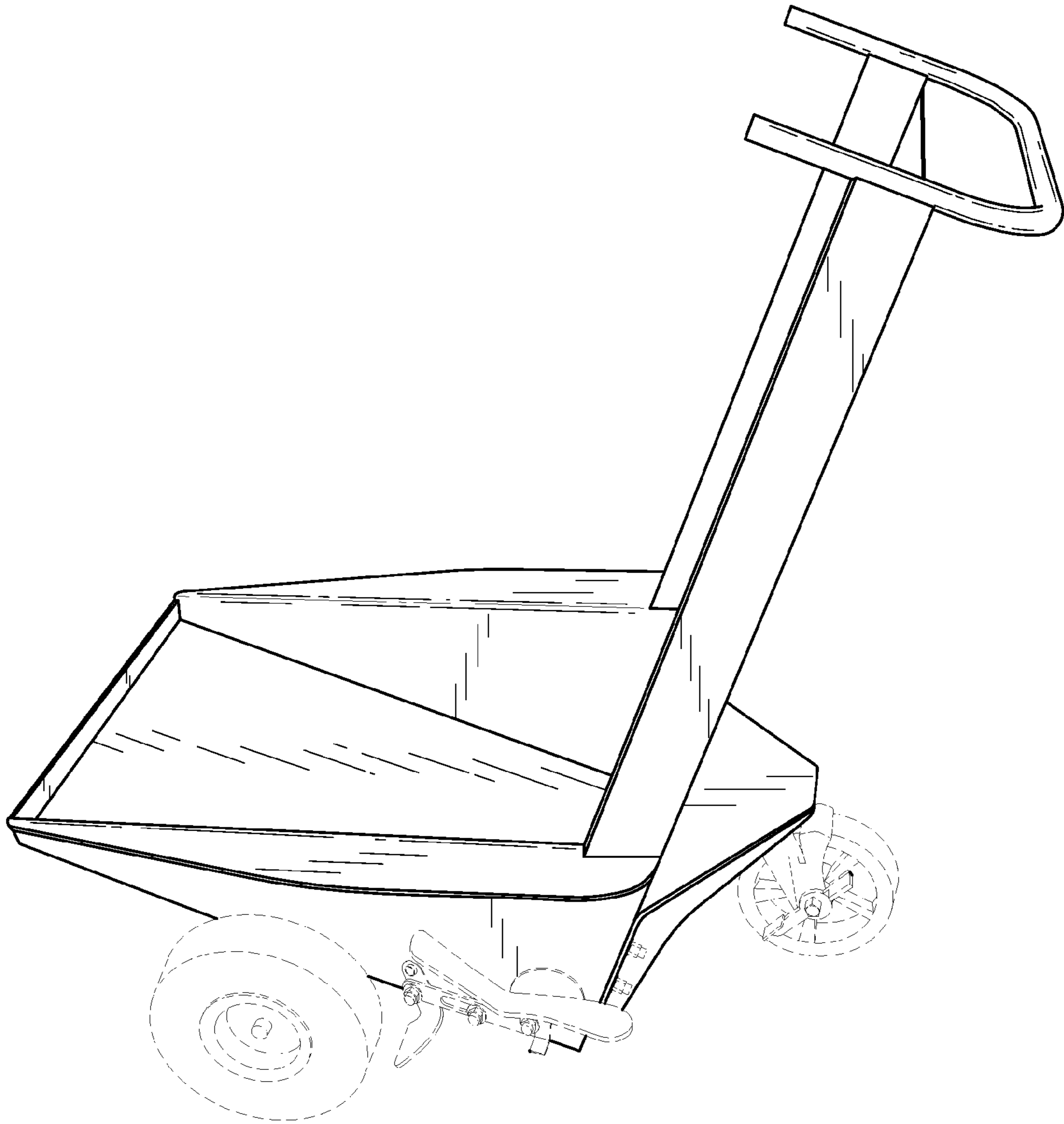


FIG. 1

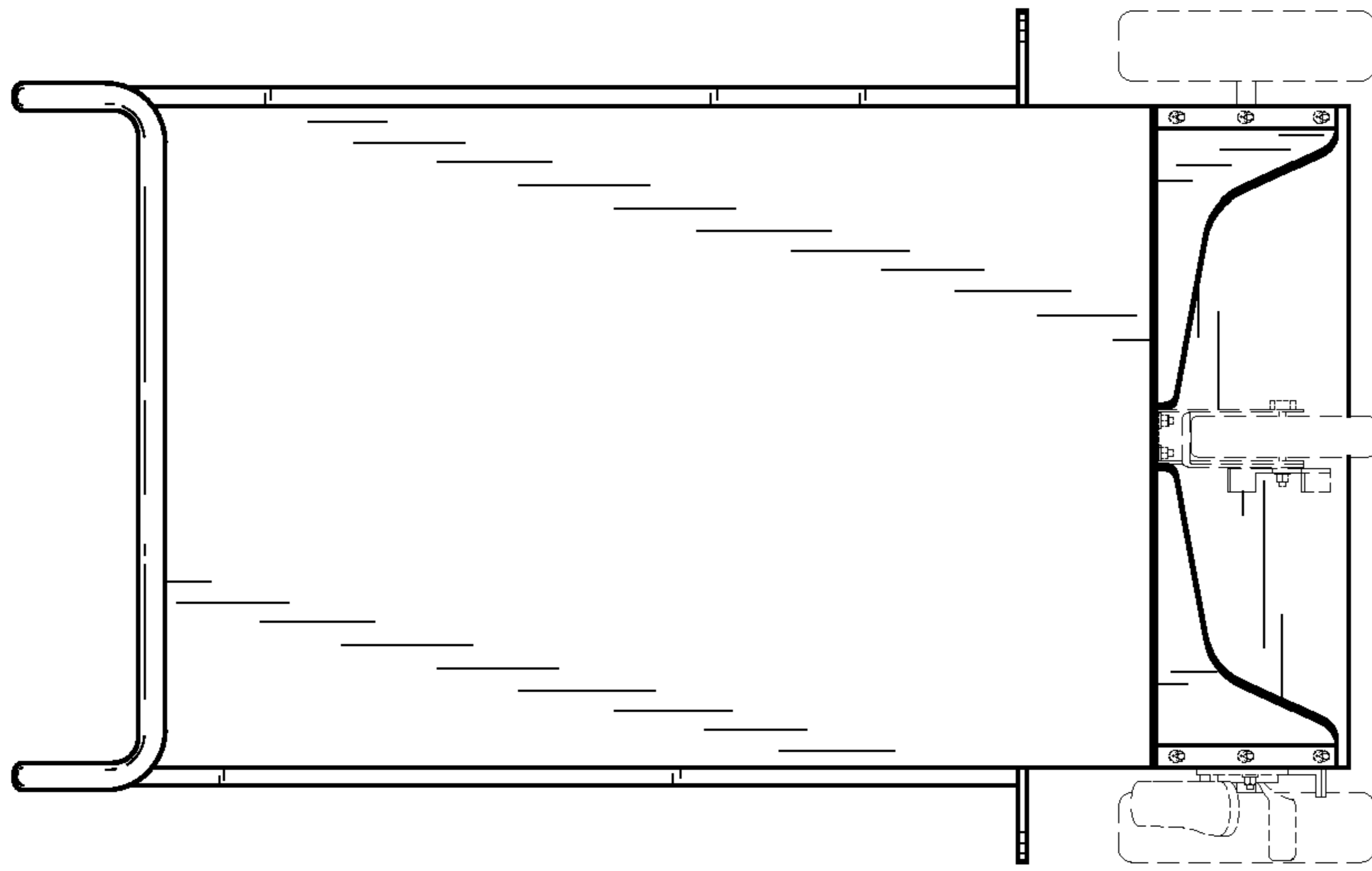


FIG. 3

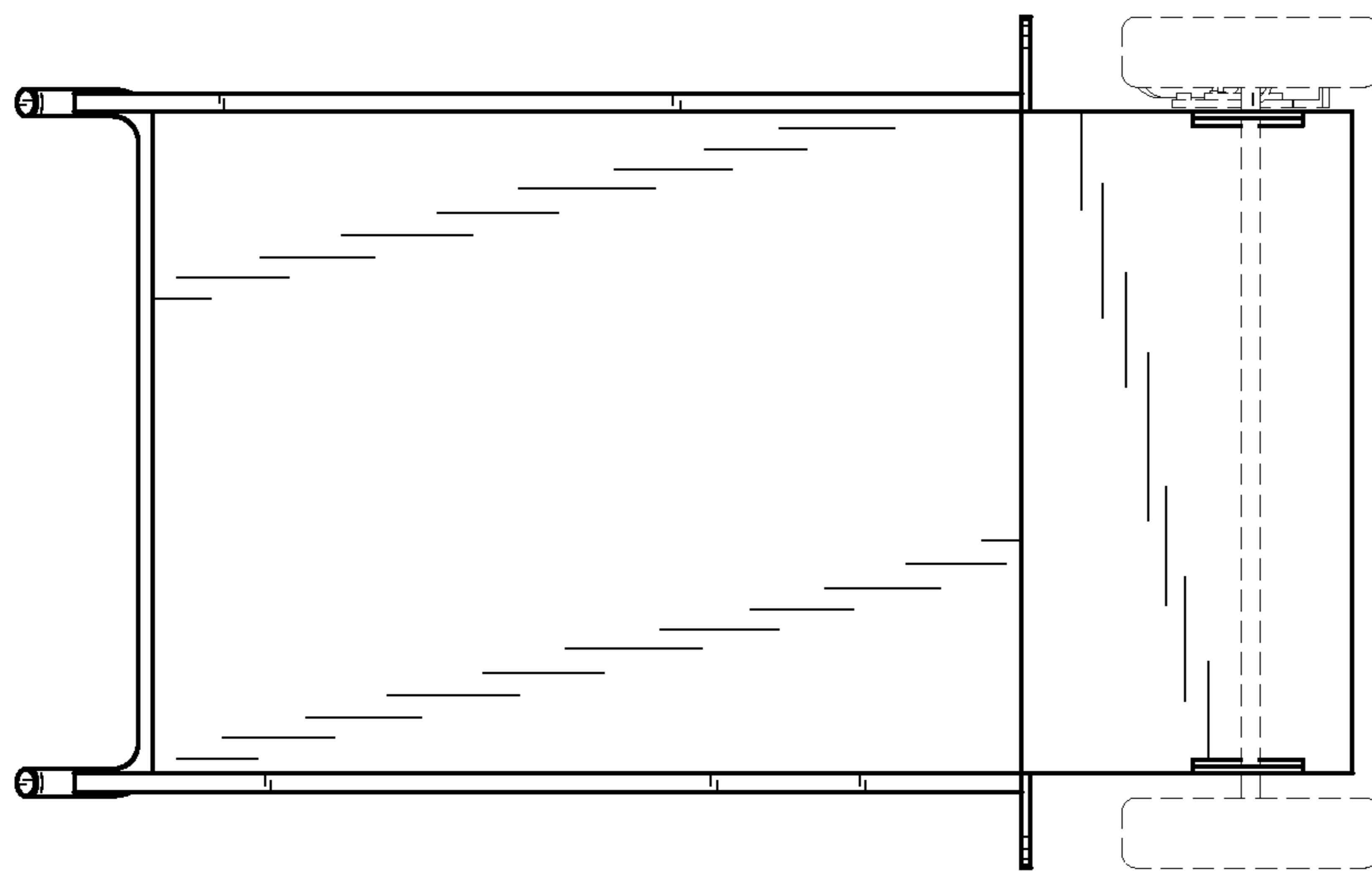


FIG. 2

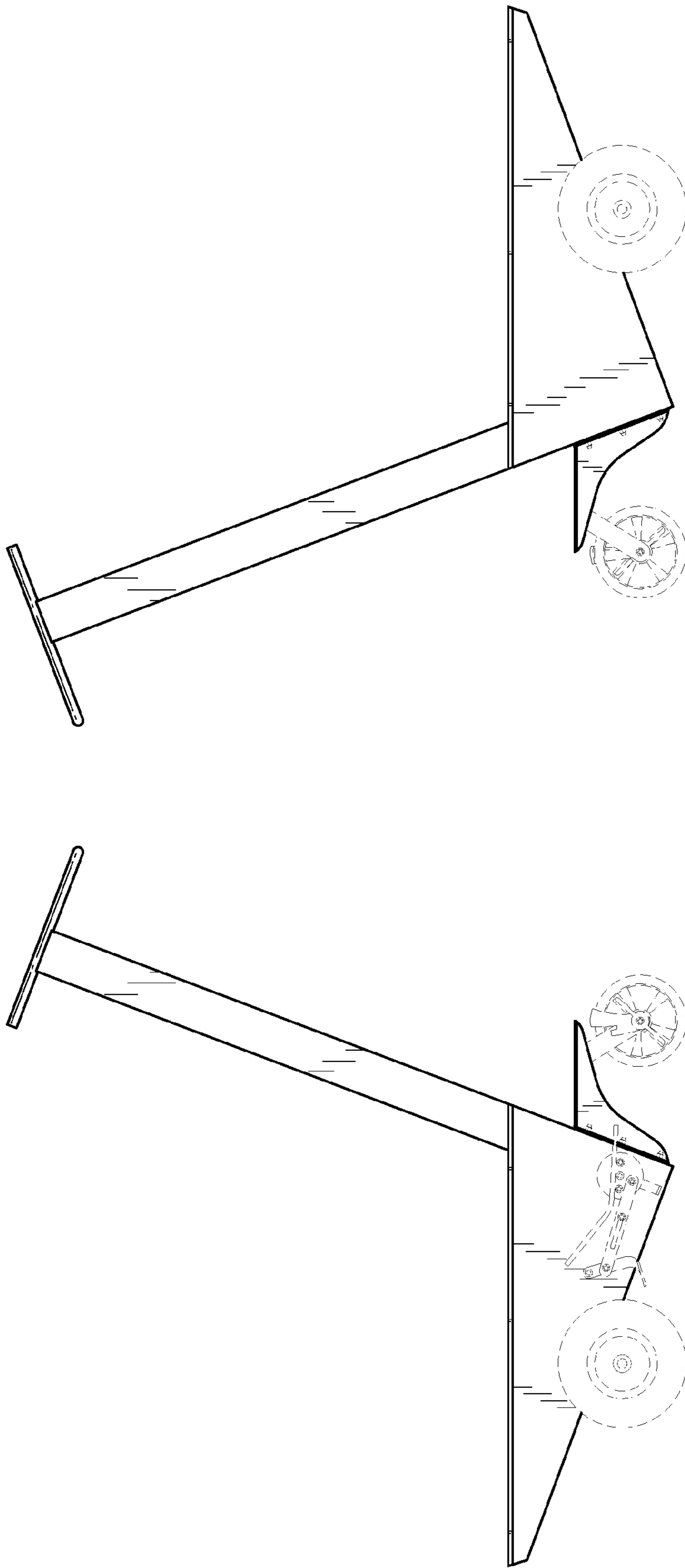


FIG. 5

FIG. 4

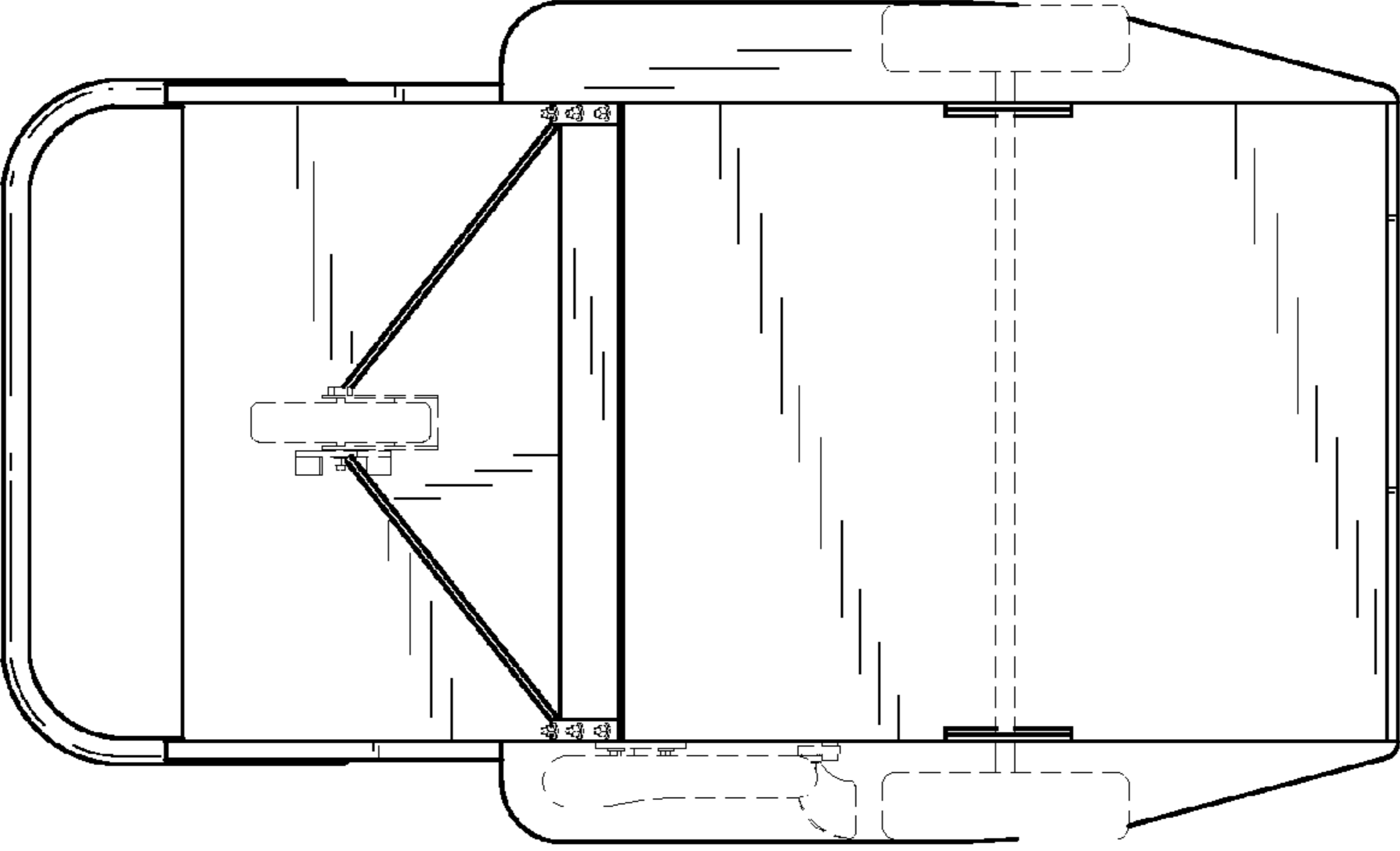


FIG. 6

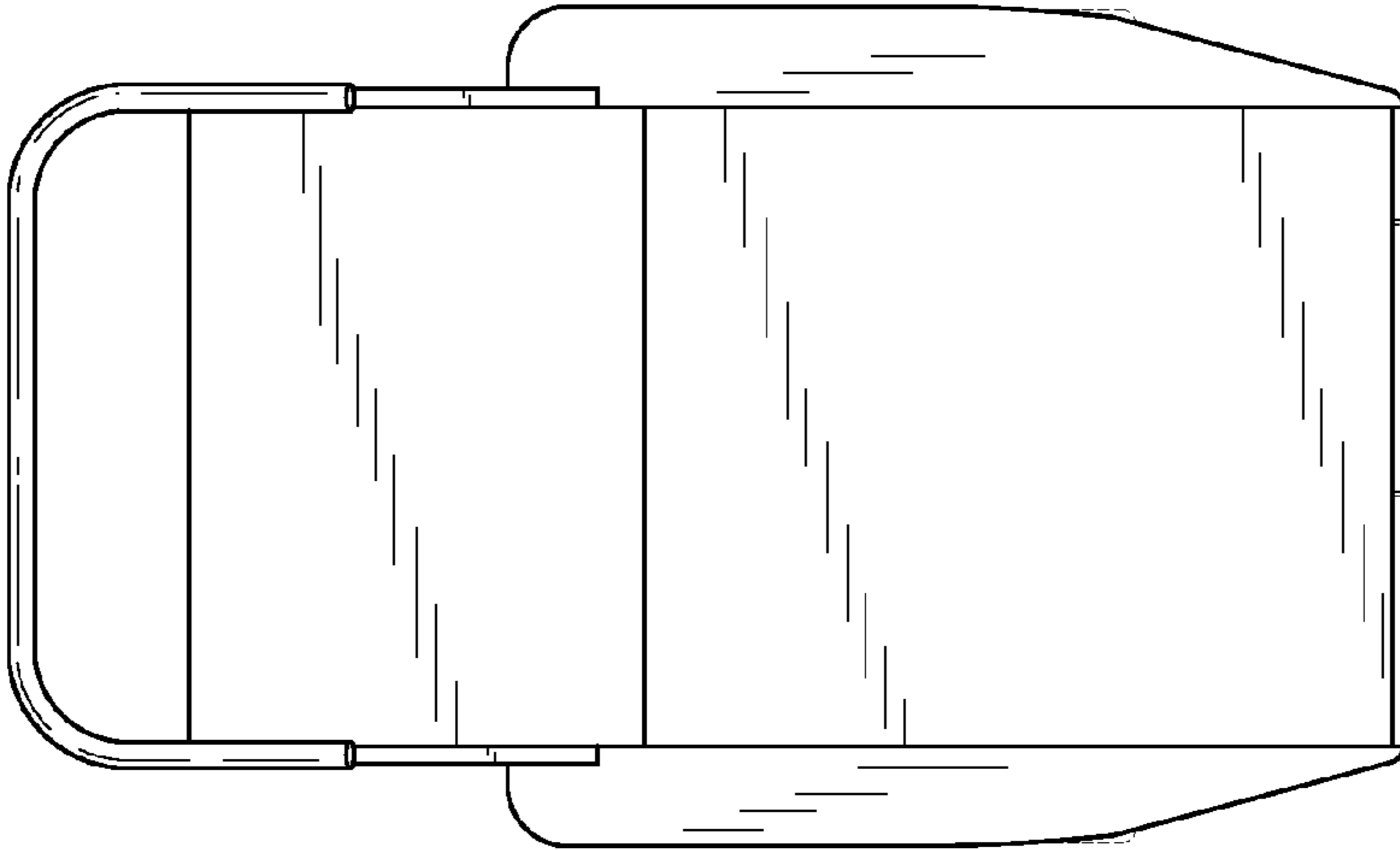


FIG. 7