



US00D603120S

(12) **United States Design Patent**
Armer

(10) **Patent No.:** **US D603,120 S**
(45) **Date of Patent:** **** Oct. 27, 2009**

(54) **DISH STORAGE CART WITH CENTRAL STORAGE**

(75) Inventor: **Mark A. Armer**, West Hills, CA (US)

(73) Assignee: **Cambro Manufacturing Company**,
Huntington Beach, CA (US)

(**) Term: **14 Years**

(21) Appl. No.: **29/334,209**

(22) Filed: **Mar. 23, 2009**

(51) **LOC (9) Cl.** **12-02**

(52) **U.S. Cl.** **D34/14**

(58) **Field of Classification Search** D34/12-27;
312/200, 249.8, 108, 198, 107, 204, 290;
211/194; 280/79.3

See application file for complete search history.

(56) **References Cited**

U.S. PATENT DOCUMENTS

3,376,046	A *	4/1968	Kivett et al.	280/33.998
D251,968	S *	5/1979	Tucky	D34/19
D327,555	S *	6/1992	Juergens	D34/1
5,246,286	A *	9/1993	Huebschen et al.	312/263
5,263,701	A *	11/1993	Kleinhen	271/145
D362,102	S *	9/1995	Campbell et al.	D34/19

D404,872	S *	1/1999	Tucker	D34/19
D423,171	S *	4/2000	Alcala et al.	D34/19
D524,007	S *	6/2006	Palmer	D34/19
7,293,785	B2 *	11/2007	Bush et al.	280/47.34
D563,620	S *	3/2008	Dong	D34/19
7,562,897	B1 *	7/2009	Sherman et al.	280/651

* cited by examiner

Primary Examiner—Cynthia E Ramirez

(74) *Attorney, Agent, or Firm*—George F. Bethel

(57) **CLAIM**

I claim the ornamental design for a dish storage cart with central storage, as shown and described.

DESCRIPTION

FIG. 1 shows a top perspective view of the dish storage cart with central storage.

FIG. 2 shows a front elevation view of the cart.

FIG. 3 shows a left side elevation view of the cart.

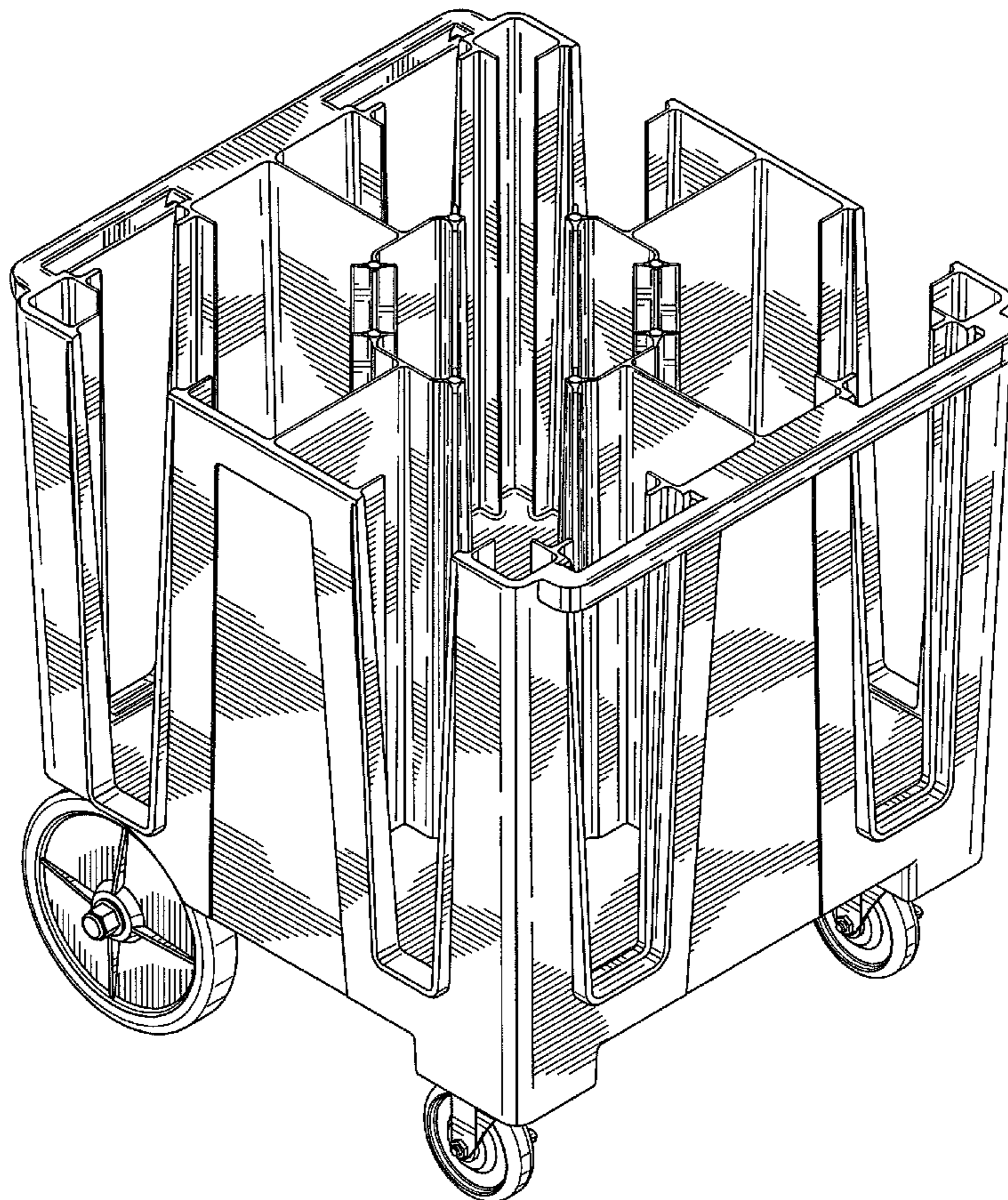
FIG. 4 shows a top plan view of the cart.

FIG. 5 shows a right side elevation view of the cart.

FIG. 6 shows a rear elevation view of the cart; and,

FIG. 7 shows a bottom plan view of the cart.

1 Claim, 7 Drawing Sheets



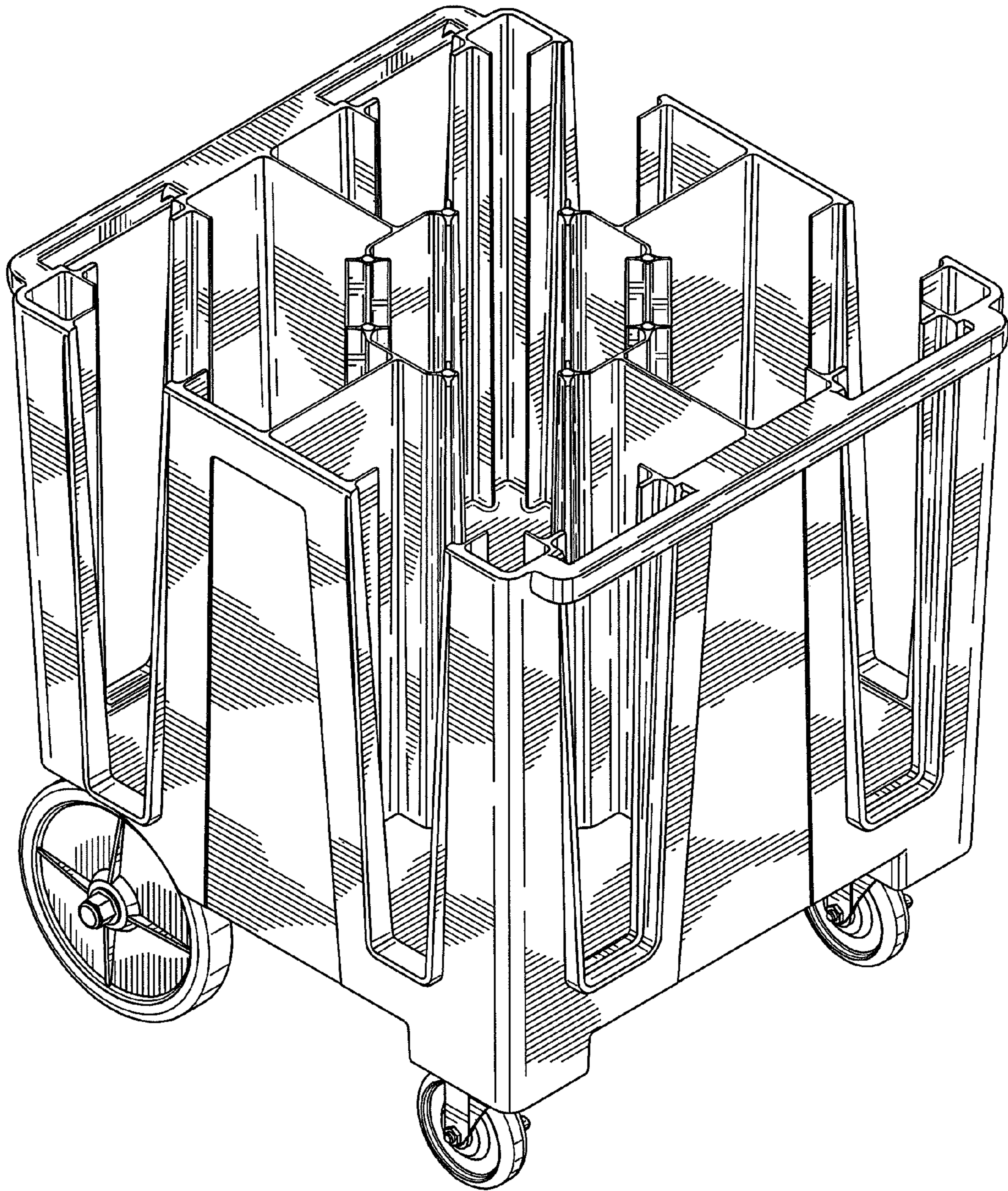


FIG. 1

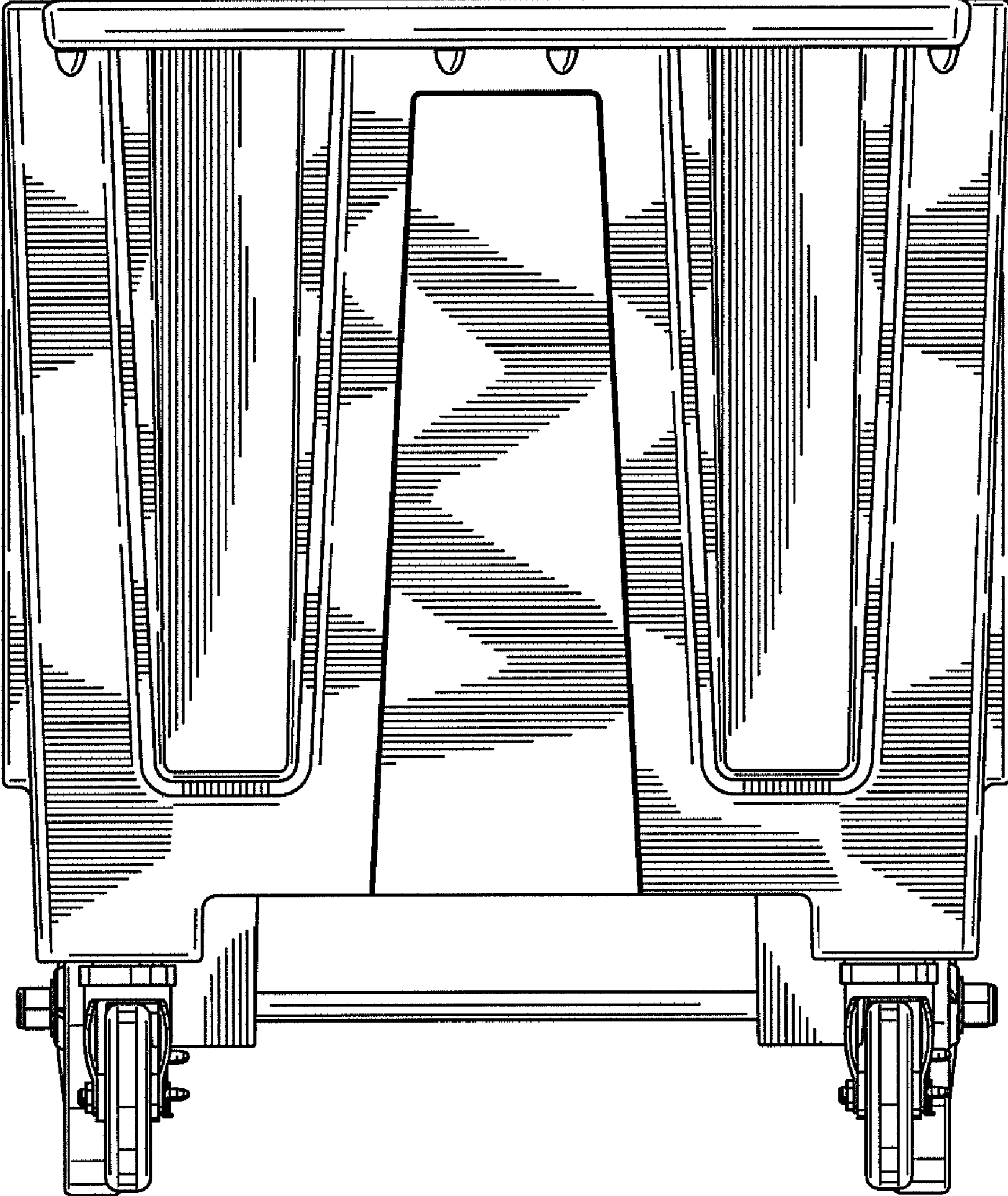


FIG. 2

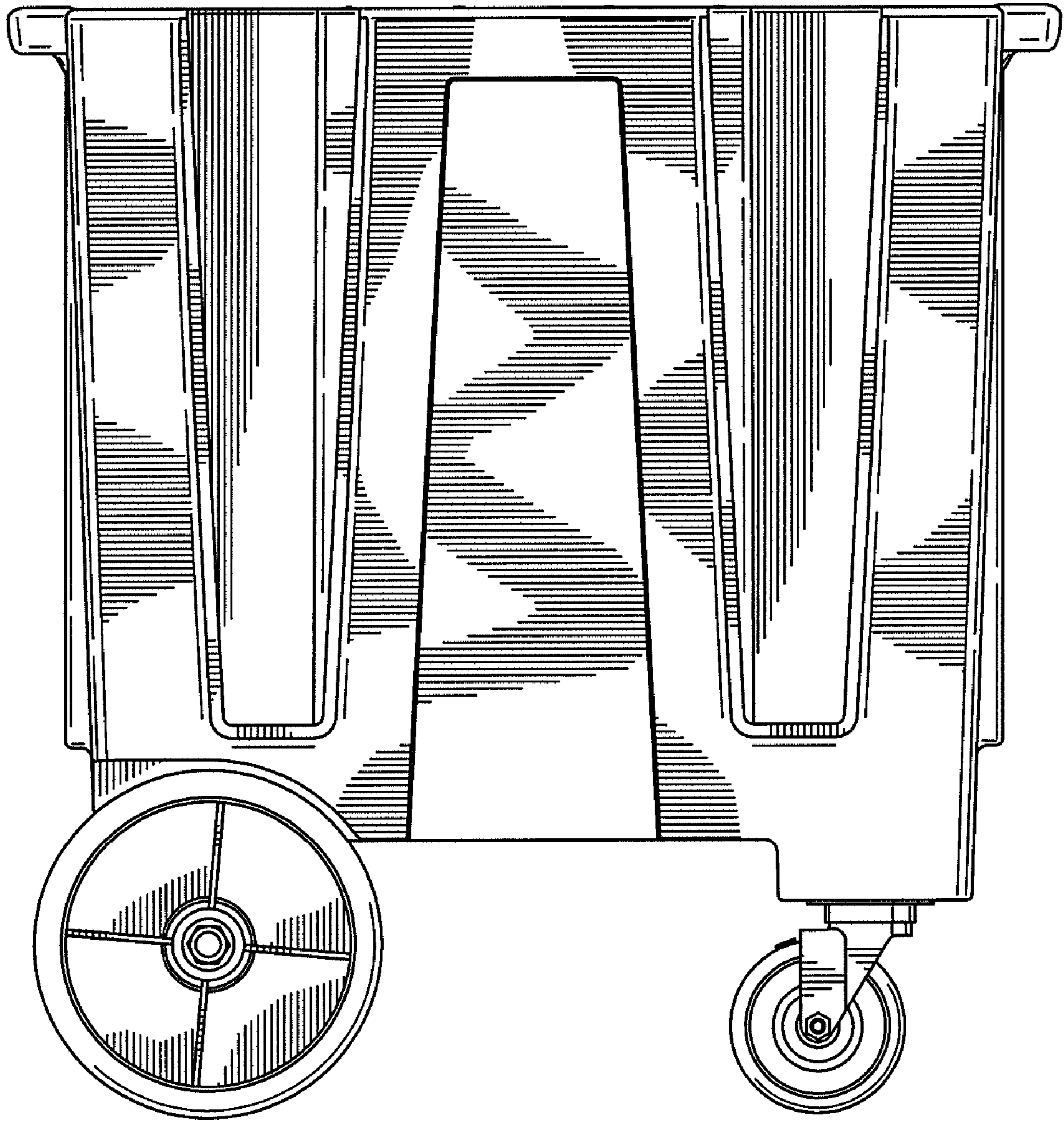


FIG. 3

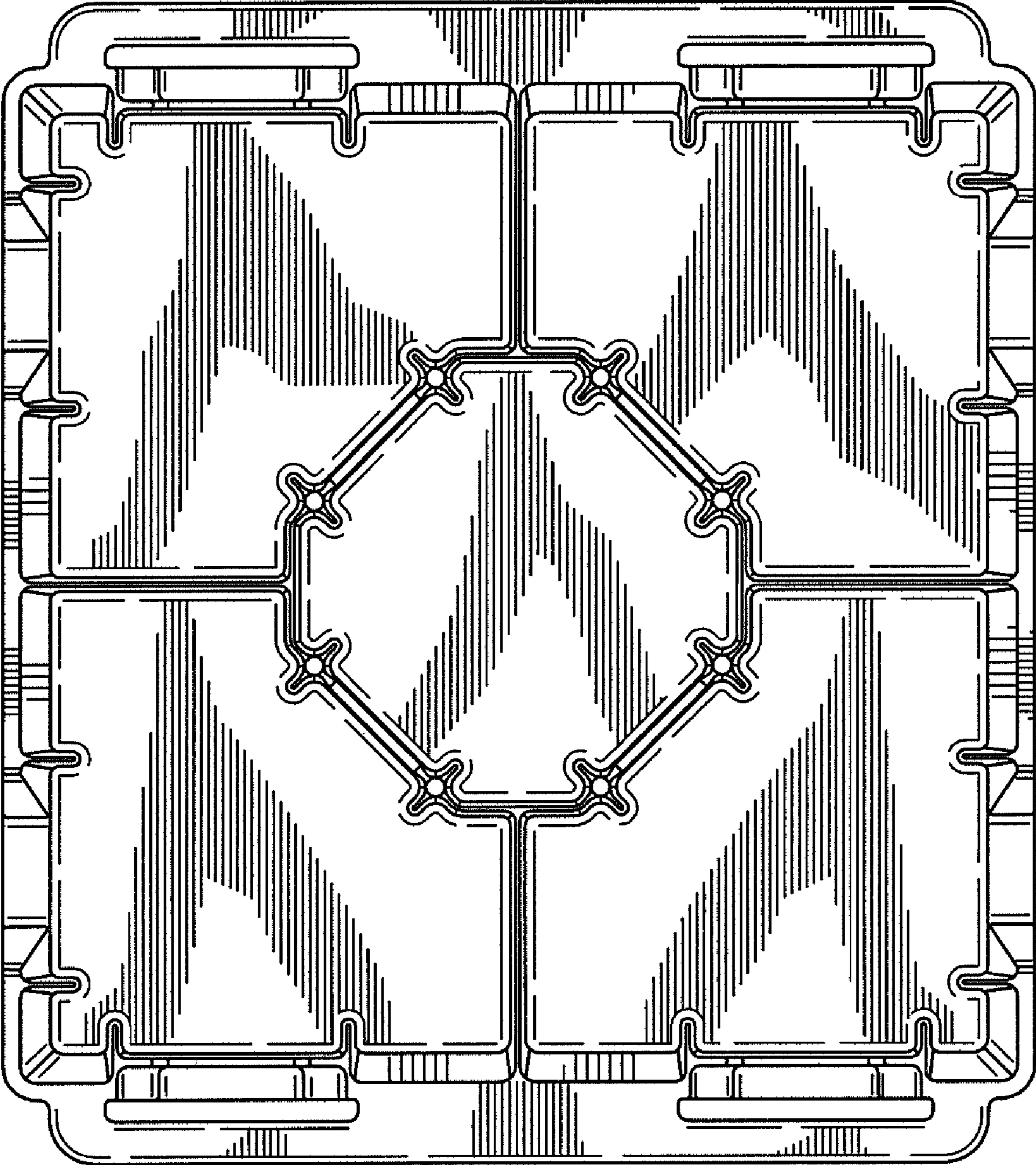


FIG. 4

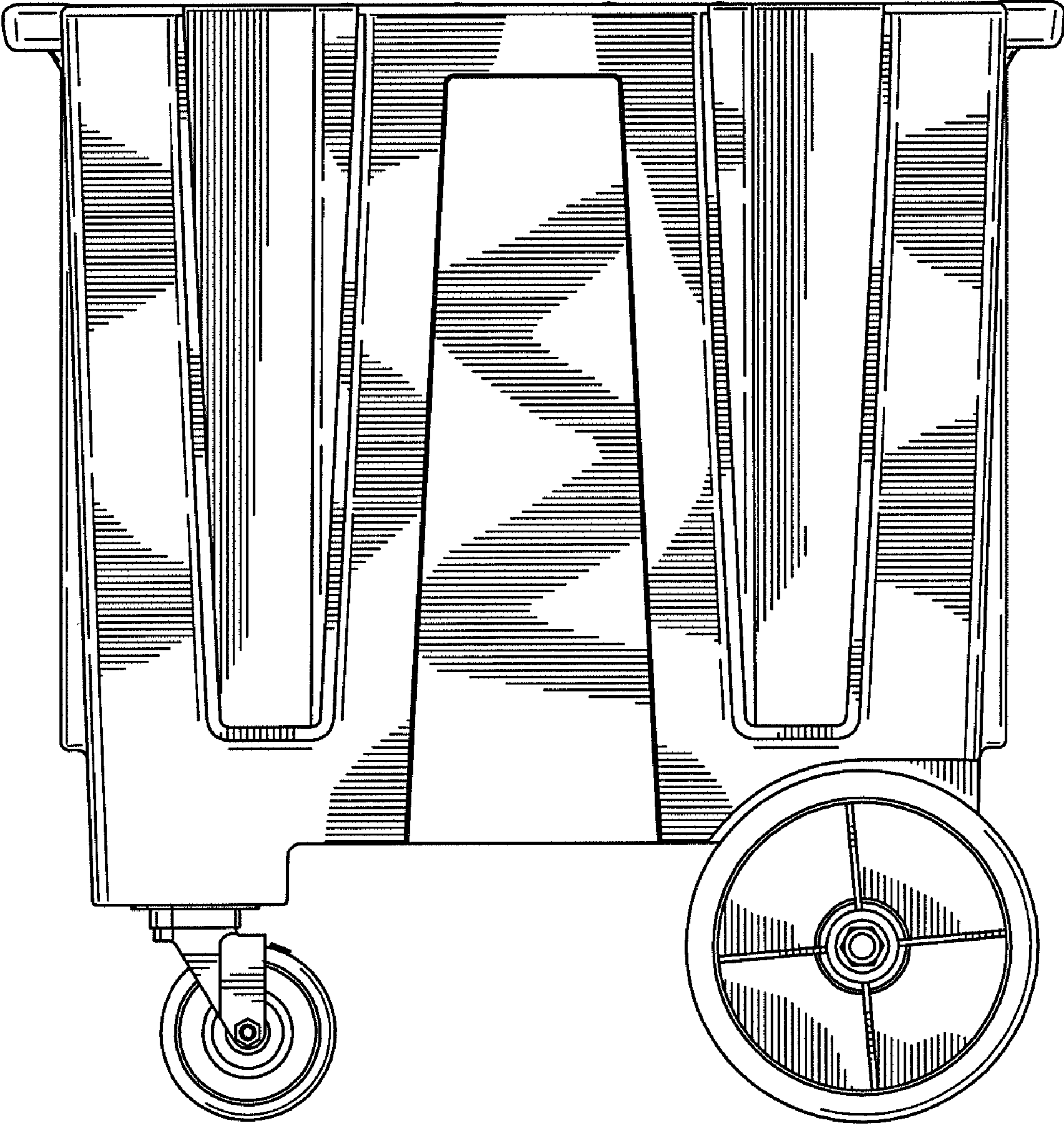


FIG. 5

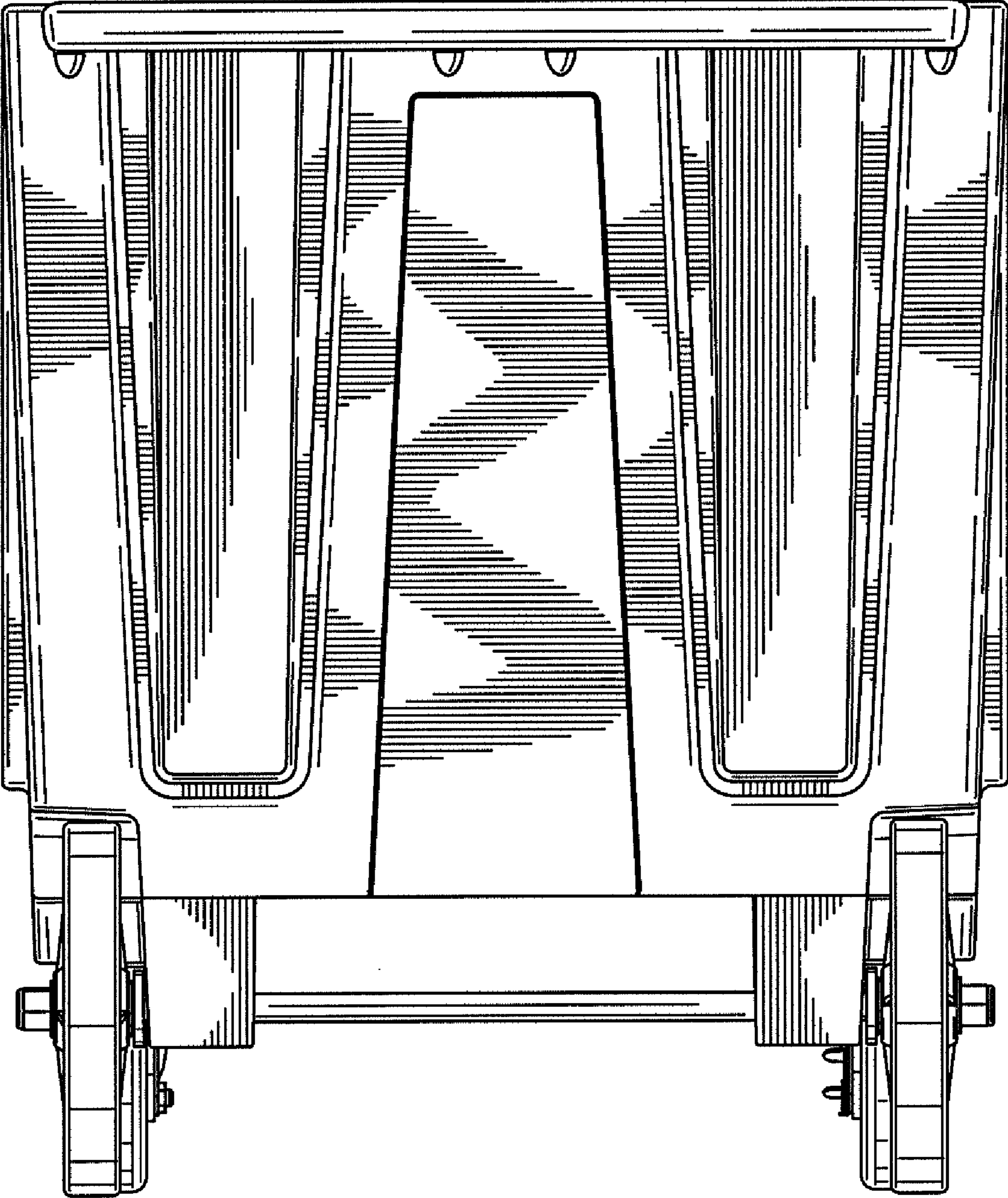


FIG. 6

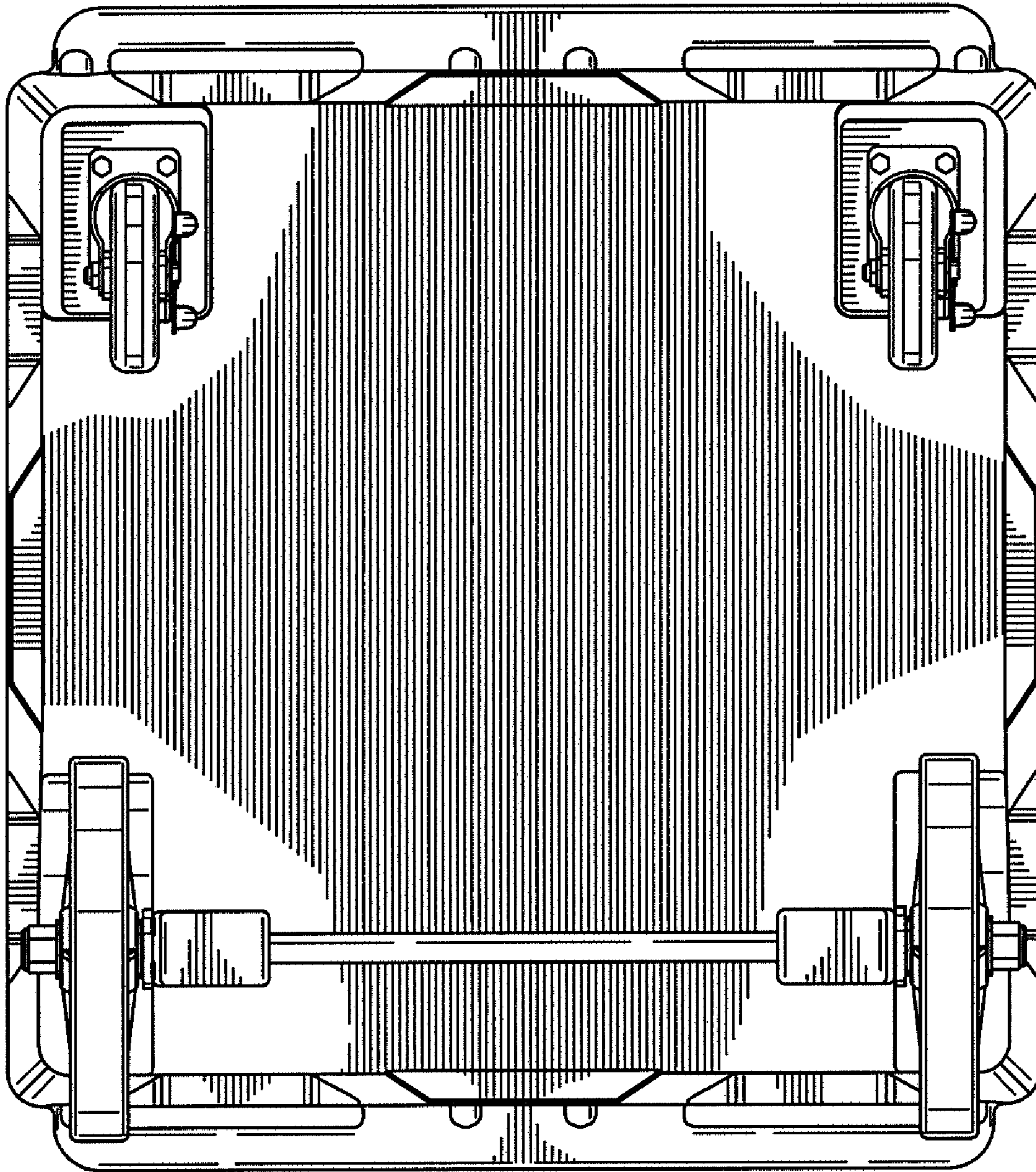


FIG. 7