



US00D603118S

(12) **United States Design Patent**  
**Gollinucci**

(10) **Patent No.:** **US D603,118 S**  
(45) **Date of Patent:** **\*\* Oct. 27, 2009**

(54) **GARBAGE CONTAINER**

(75) Inventor: **Giacomo Gollinucci**, Cesena (IT)

(73) Assignee: **Romagna Plastic S.R.L.**, Cesena (IT)

(\*\*) Term: **14 Years**

(21) Appl. No.: **29/294,945**

(22) Filed: **Feb. 1, 2008**

(30) **Foreign Application Priority Data**

Aug. 1, 2007 (EM) ..... 000768114

(51) **LOC (9) Cl.** ..... **09-09**

(52) **U.S. Cl.** ..... **D34/7**

(58) **Field of Classification Search** ..... D34/1-11;  
211/85.19; 220/908-913, 500, 503; 248/146,  
248/346.01, 154

See application file for complete search history.

(56) **References Cited**

**U.S. PATENT DOCUMENTS**

- 3,434,625 A \* 3/1969 Embry, Jr. .... 220/495.06
- 3,520,505 A \* 7/1970 Allen ..... 248/146
- 4,905,945 A \* 3/1990 Peterson ..... 248/146
- D327,555 S \* 6/1992 Juergens ..... D34/1
- D332,851 S \* 1/1993 Long ..... D34/7
- D333,542 S \* 2/1993 McKenzie ..... D34/9
- D338,756 S \* 8/1993 Pink et al. .... D34/1
- D355,289 S \* 2/1995 Schafer ..... D34/1
- D376,456 S \* 12/1996 Presnell et al. .... D34/1

- D387,530 S \* 12/1997 Doxey ..... D34/1
- D448,133 S \* 9/2001 Windle ..... D34/1
- D521,203 S \* 5/2006 Sofy et al. .... D34/1
- D540,997 S \* 4/2007 Richards ..... D34/10
- D555,317 S \* 11/2007 Yang et al. .... D34/1
- D558,947 S \* 1/2008 Gardner et al. .... D34/7
- D566,365 S \* 4/2008 Wentz et al. .... D34/1
- D578,265 S \* 10/2008 Presnell ..... D34/1
- 2007/0210088 A1 \* 9/2007 Wentz et al. .... 220/500

\* cited by examiner

*Primary Examiner*—Cynthia E Ramirez

(74) *Attorney, Agent, or Firm*—Ladas and Parry LLP

(57) **CLAIM**

The ornamental design for a garbage container, as shown and described.

**DESCRIPTION**

FIG. 1 is a perspective view of a garbage container of my new design;

FIG. 2 is a front view thereof;

FIG. 3 is a rear view thereof;

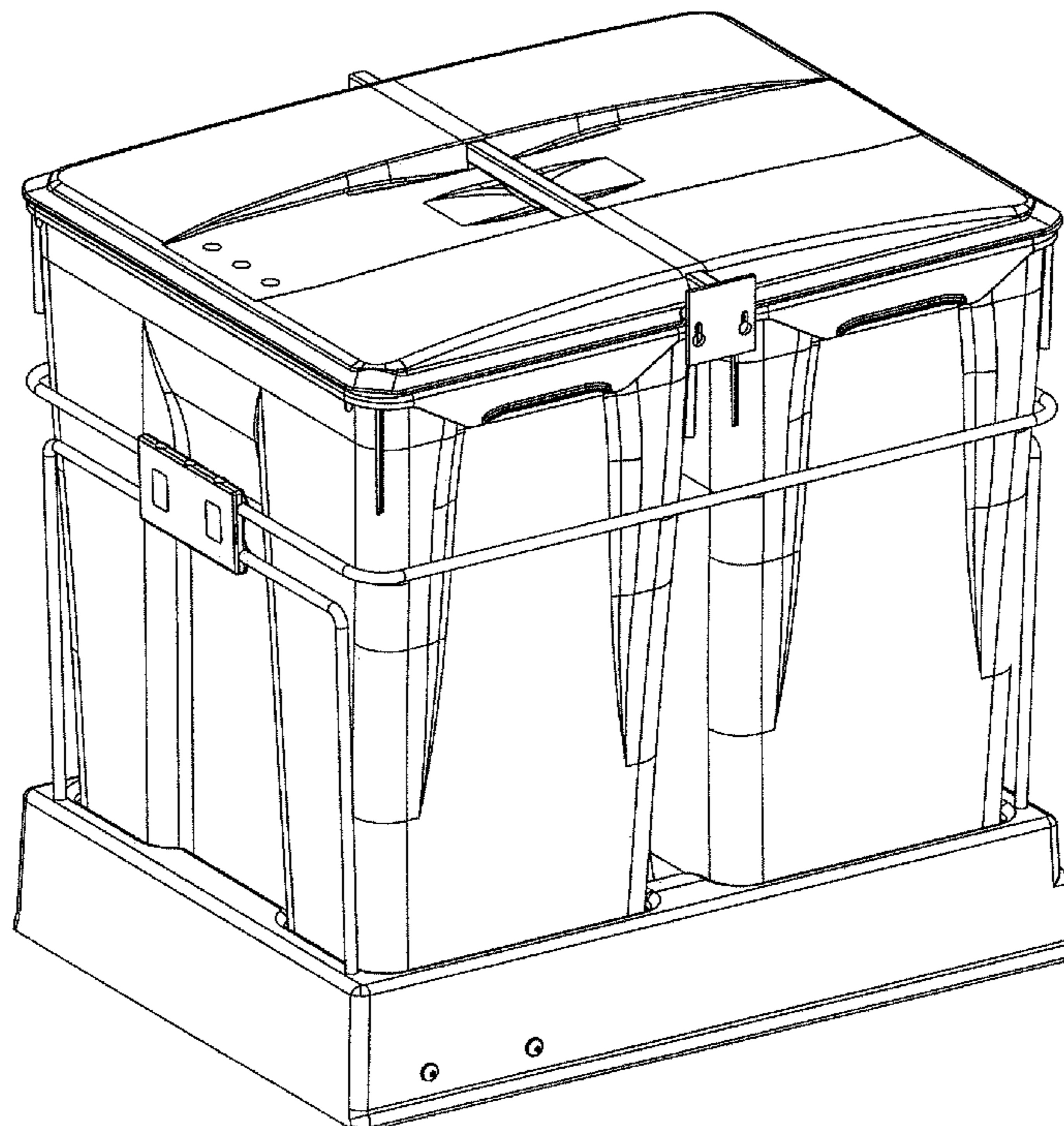
FIG. 4 is a first side view thereof;

FIG. 5 is a second side view thereof; and,

FIG. 6 is a top plan view thereof.

The broken line showing in FIG. 5 is included for the purpose of illustrating environment and forms no part of the claimed design.

**1 Claim, 6 Drawing Sheets**



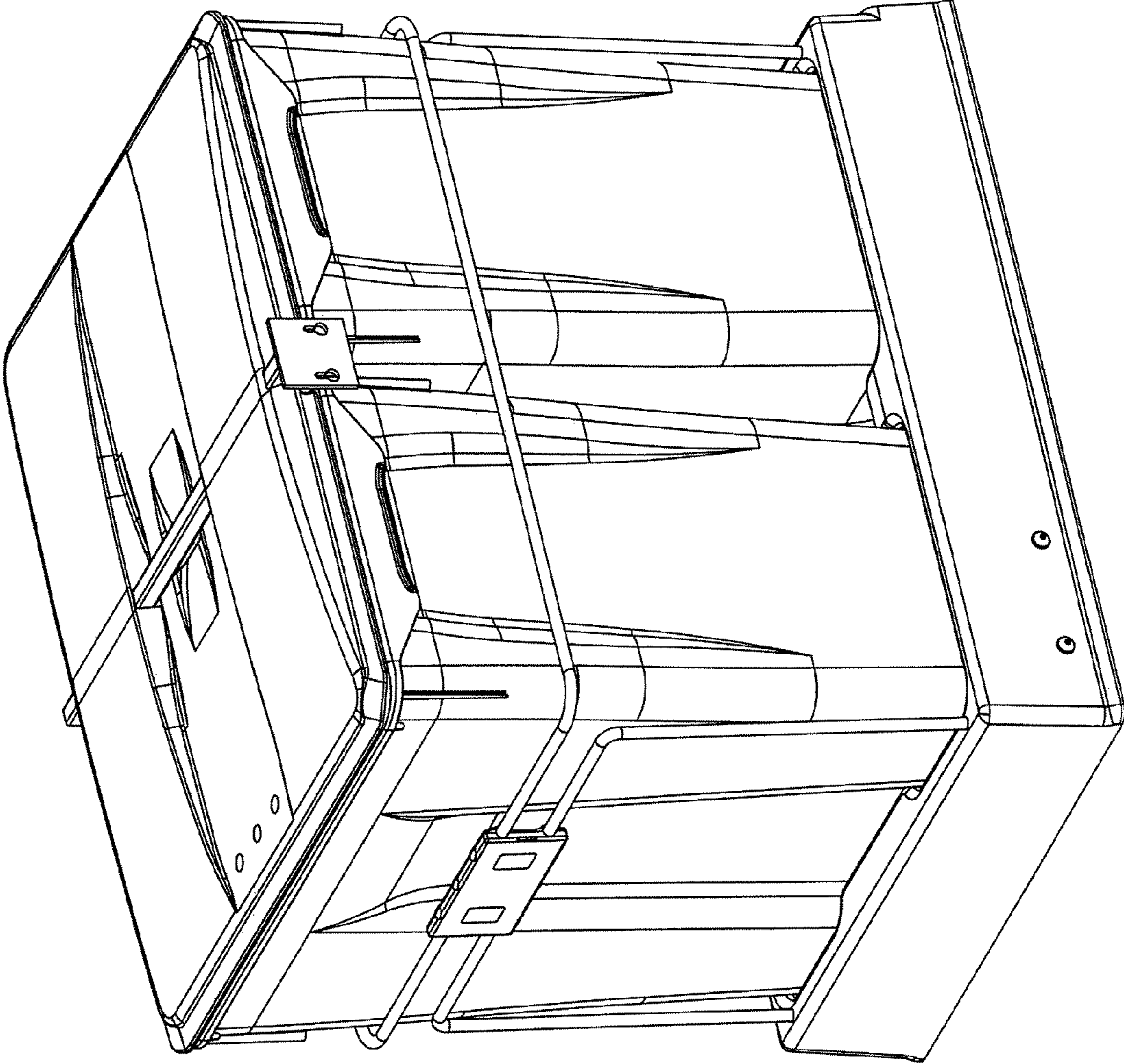


FIG. 1

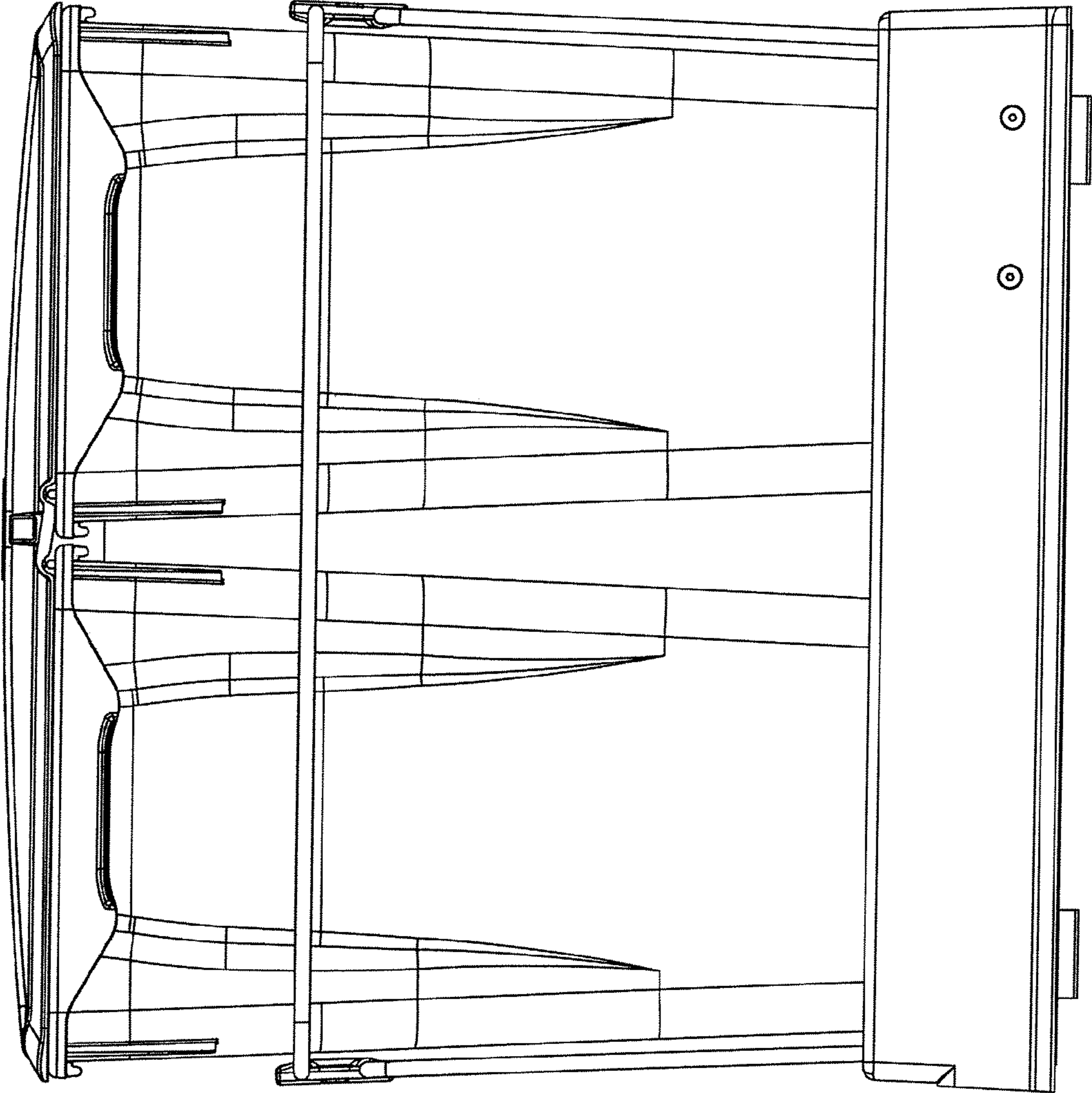


FIG. 2



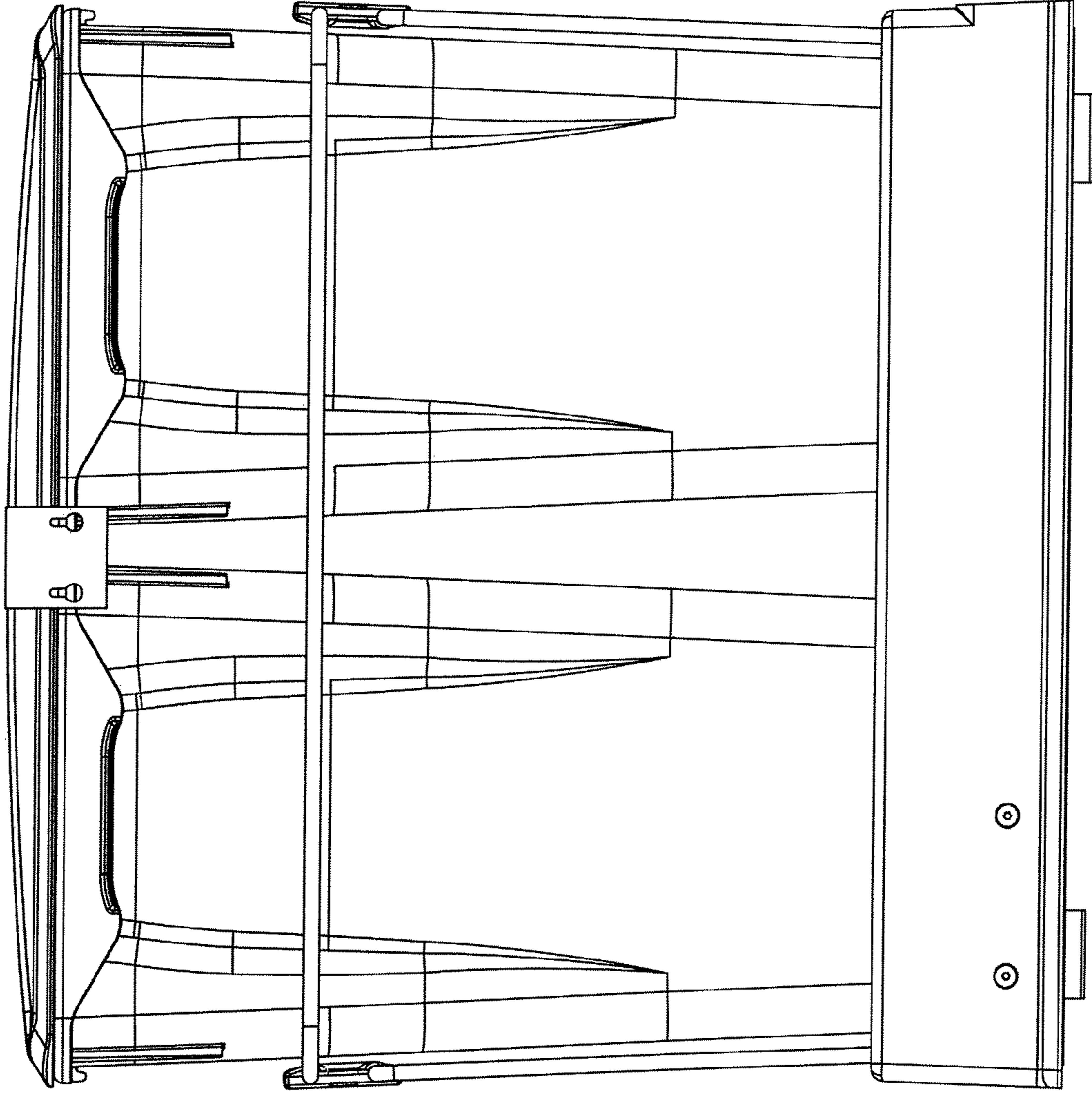


FIG. 3

FIG. 4

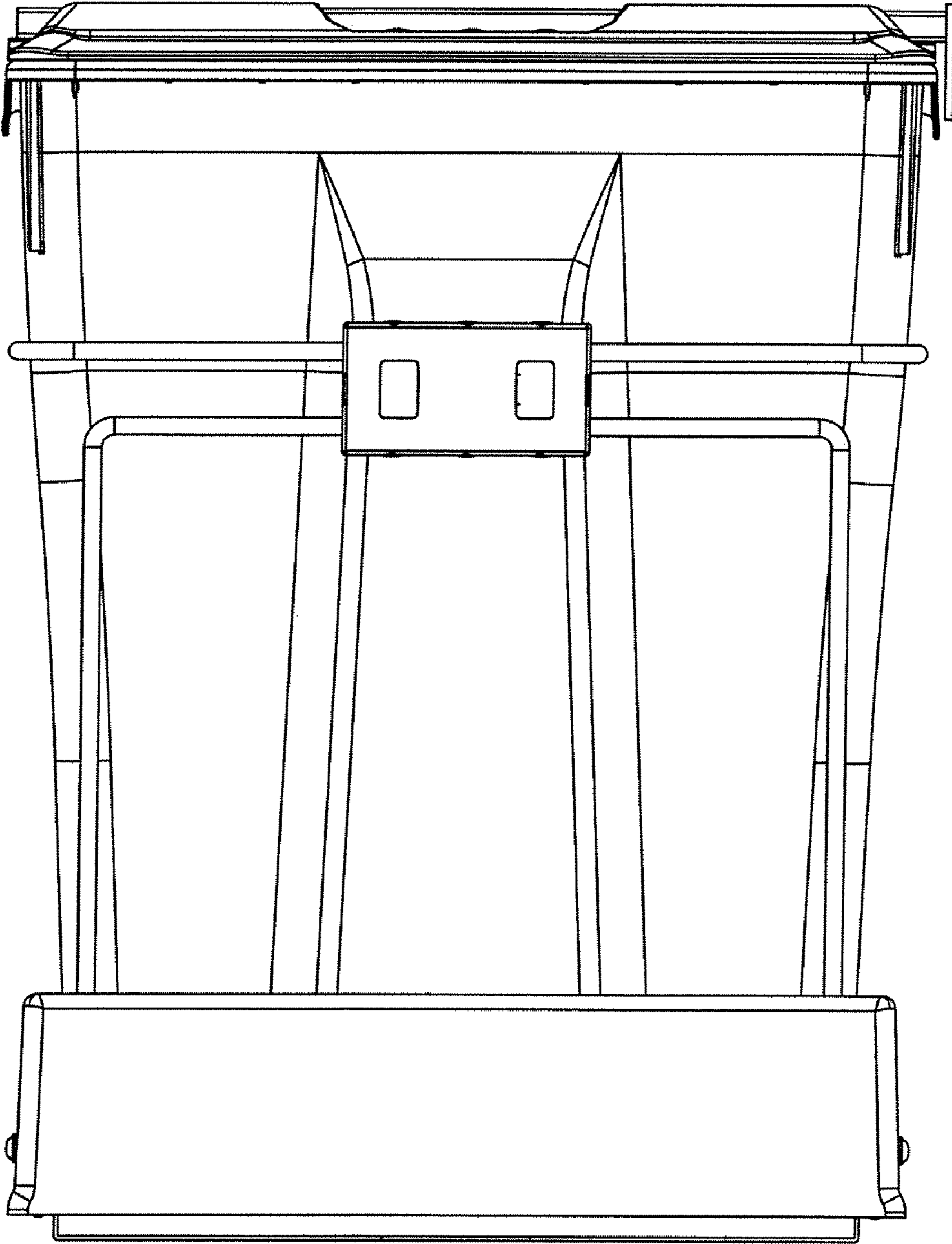


FIG. 5

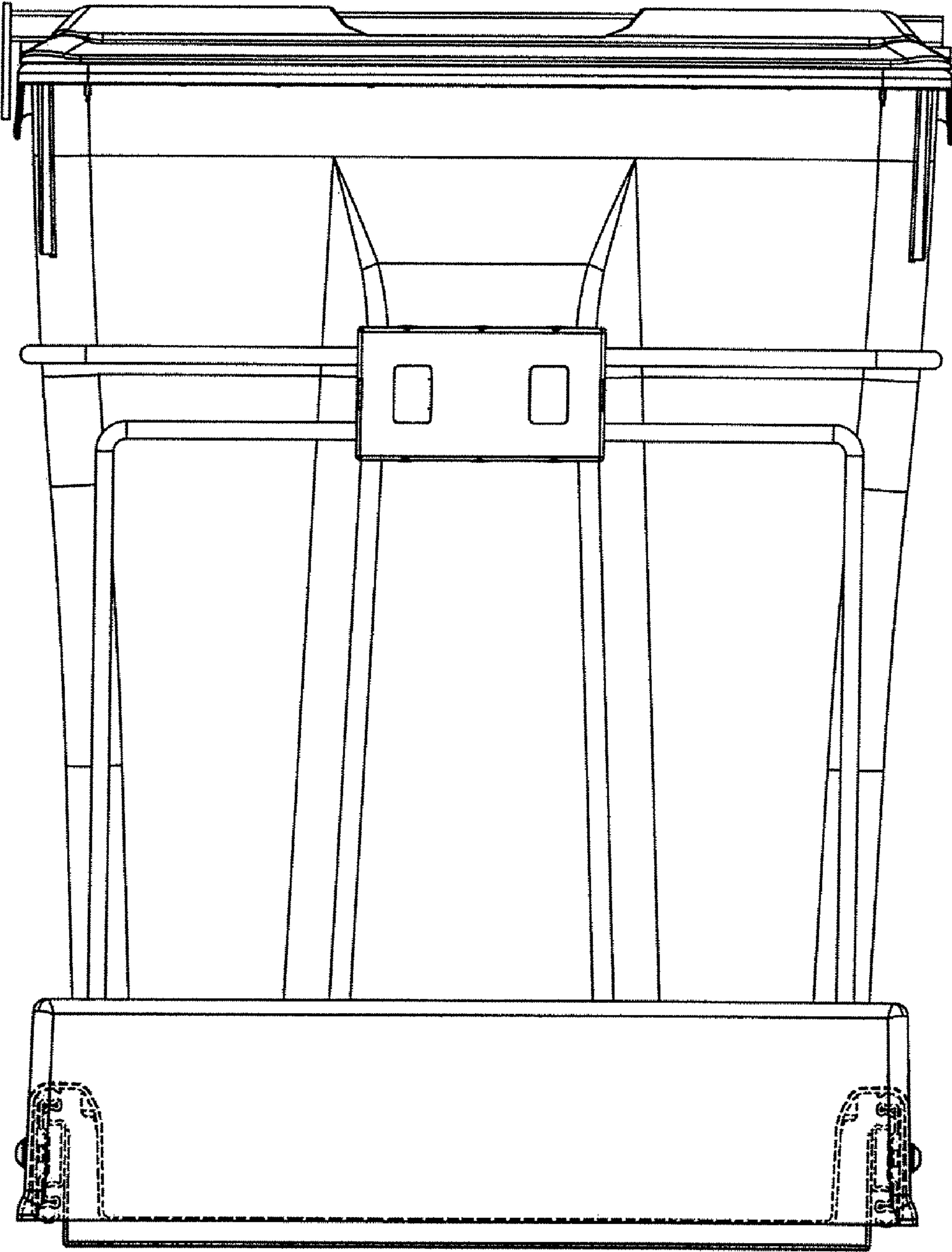


FIG.6

