



US00D603117S

(12) **United States Design Patent**  
**Keane**

(10) **Patent No.:** **US D603,117 S**

(45) **Date of Patent:** **\*\* Oct. 27, 2009**

(54) **PAINTING TRAY**

D558,420 S 12/2007 Shea  
2006/0225959 A1 10/2006 Pohl

(75) Inventor: **Carolyn Keane**, 3131 Buccaneer Rd.,  
Lake Worth, FL (US) 33462

\* cited by examiner

(73) Assignee: **Carolyn Keane**, Lake Worth, FL (US)

*Primary Examiner*—Robin V Webster

(\*\*) Term: **14 Years**

(74) *Attorney, Agent, or Firm*—Novak Druce + Quigg; J. Rodman Steele, Jr.; Gregory M. Lefkowitz

(21) Appl. No.: **29/317,596**

(57) **CLAIM**

(22) Filed: **May 2, 2008**

The ornamental design for a painting tray, as shown and described.

(51) **LOC (9) Cl.** ..... **07-07**

(52) **U.S. Cl.** ..... **D32/53.1**

(58) **Field of Classification Search** ..... D32/53,  
D32/53.1, 54; 15/257.01–257.06, 570  
See application file for complete search history.

**DESCRIPTION**

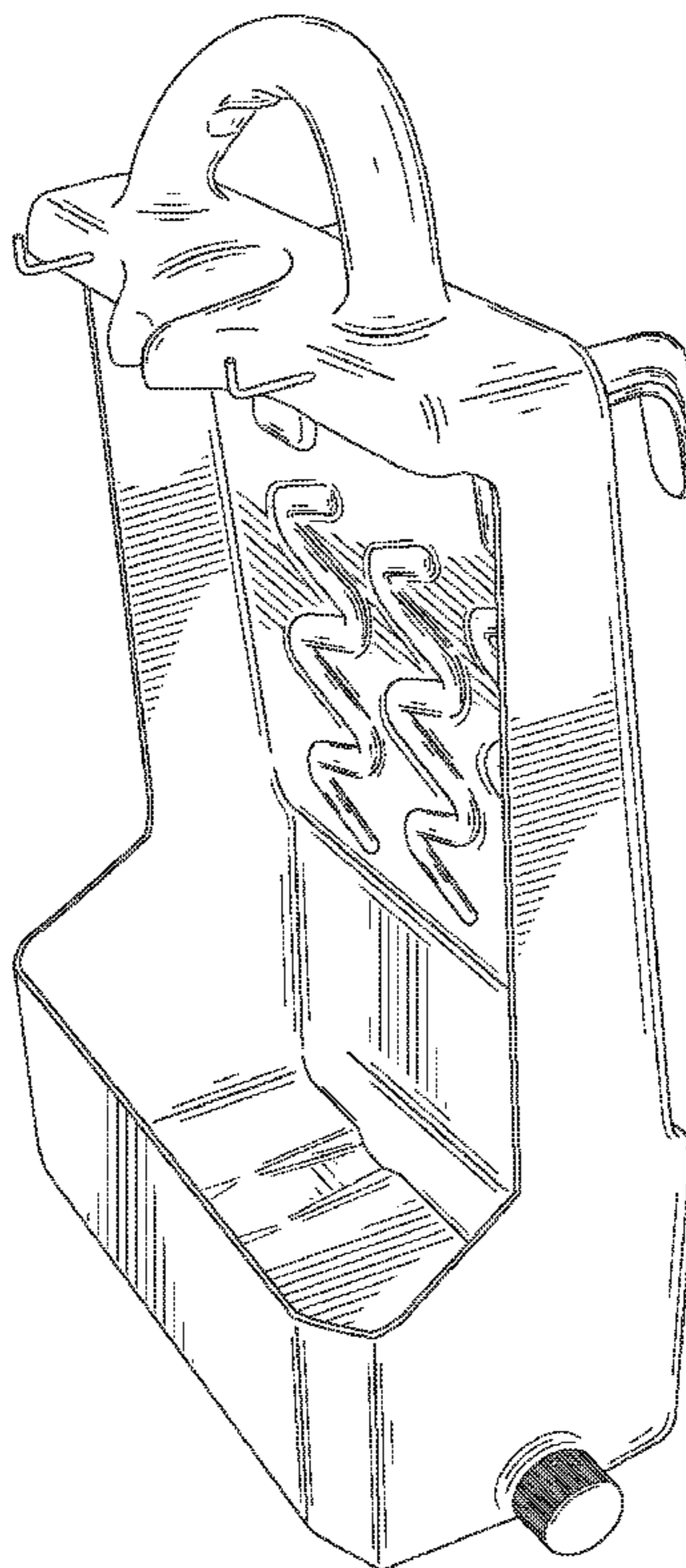
(56) **References Cited**

U.S. PATENT DOCUMENTS

2,661,858	A	12/1953	Howell	
3,351,970	A *	11/1967	Engl	15/257.06
4,890,353	A	1/1990	Shannon et al.	
D345,637	S *	3/1994	Chrisco et al.	D32/35
5,493,751	A	2/1996	Misiukowicz et al.	
5,836,043	A *	11/1998	Rovas	15/257.06
D419,736	S	1/2000	Clark	
6,419,106	B1	7/2002	Bebak	
6,431,392	B1 *	8/2002	Eisenbeisz	220/759
D472,684	S	4/2003	Bebak	
6,622,340	B2	9/2003	Rosa	
D544,310	S	6/2007	Smigiel	

FIG. 1 is a perspective view of my ornamental design;  
 FIG. 2 is a front elevation view of FIG. 1;  
 FIG. 3 is a rear elevation view of the ornamental design of FIG. 1;  
 FIG. 4 is a left view of the ornamental design of FIG. 1;  
 FIG. 5 is a right view of the ornamental design of FIG. 1;  
 FIG. 6 is a top view of the ornamental design of FIG. 1;  
 FIG. 7 is a bottom view of the ornamental design of FIG. 1;  
 FIG. 8 is a view taken along line 8—8 in FIG. 2;  
 FIG. 9 is a view taken along line 9—9 in FIG. 2; and,  
 FIG. 10 is a perspective view of the ornamental design of FIG. 1 with broken lines showing painting tools, which are shown for illustrative purposes only and form no part of the claimed design.

**1 Claim, 8 Drawing Sheets**



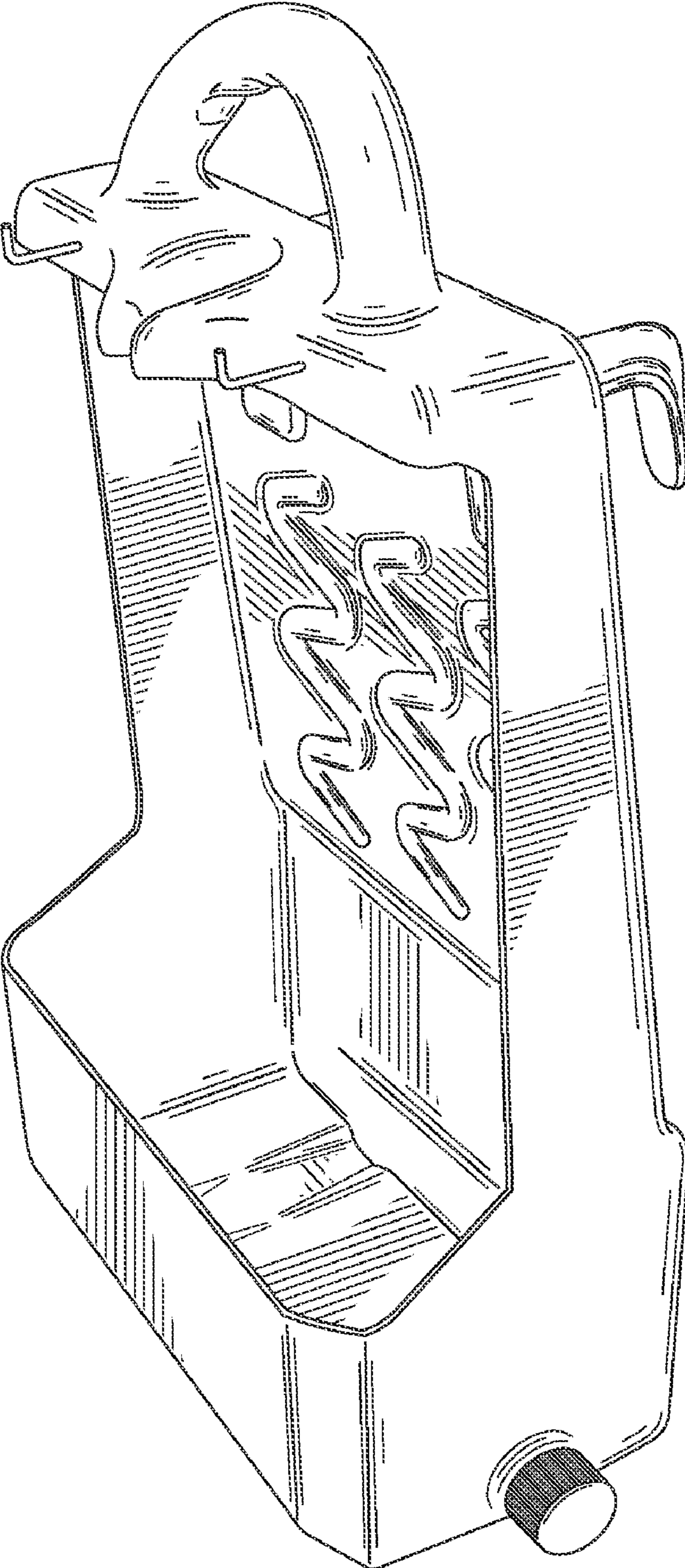


FIG. 1

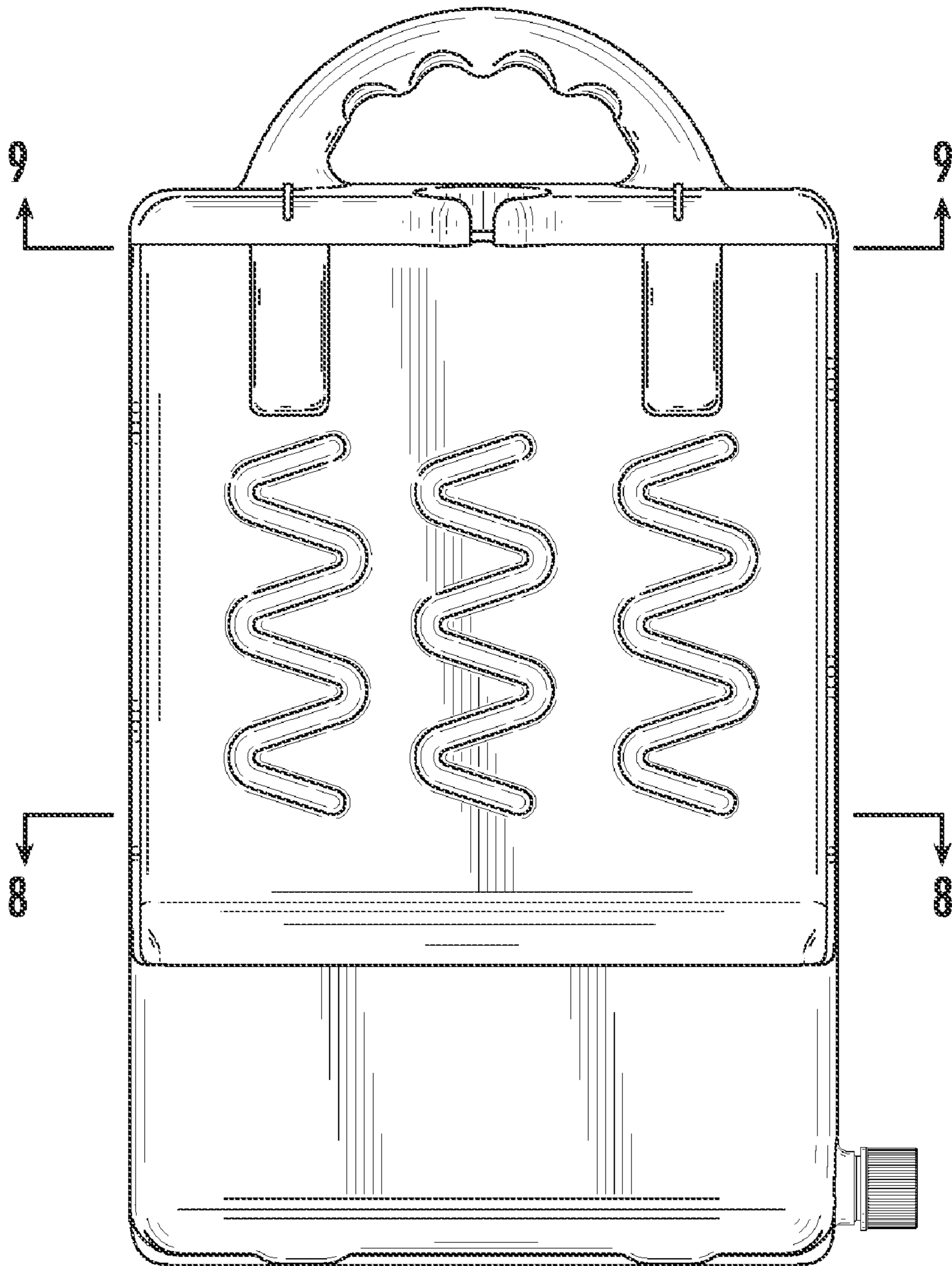


FIG. 2

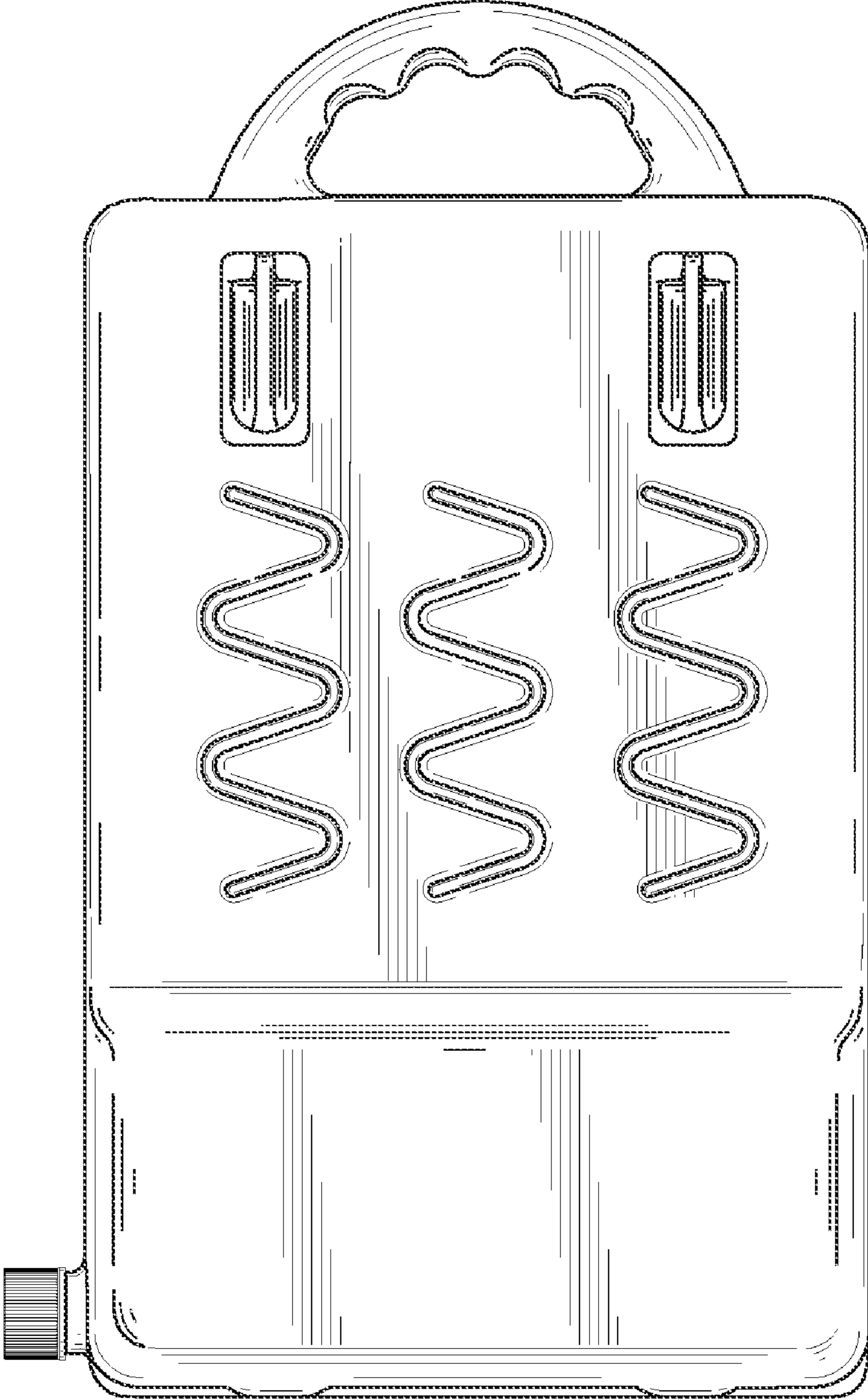


FIG. 3

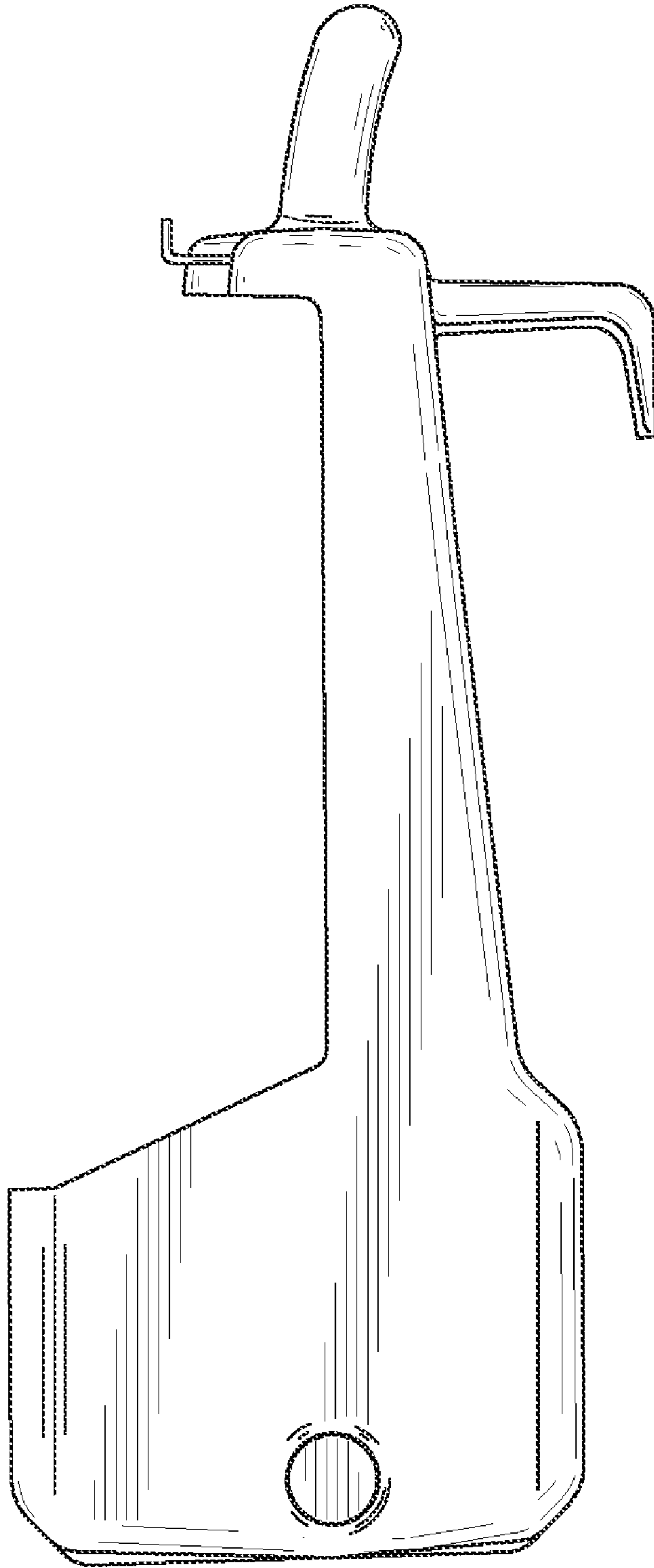


FIG. 4

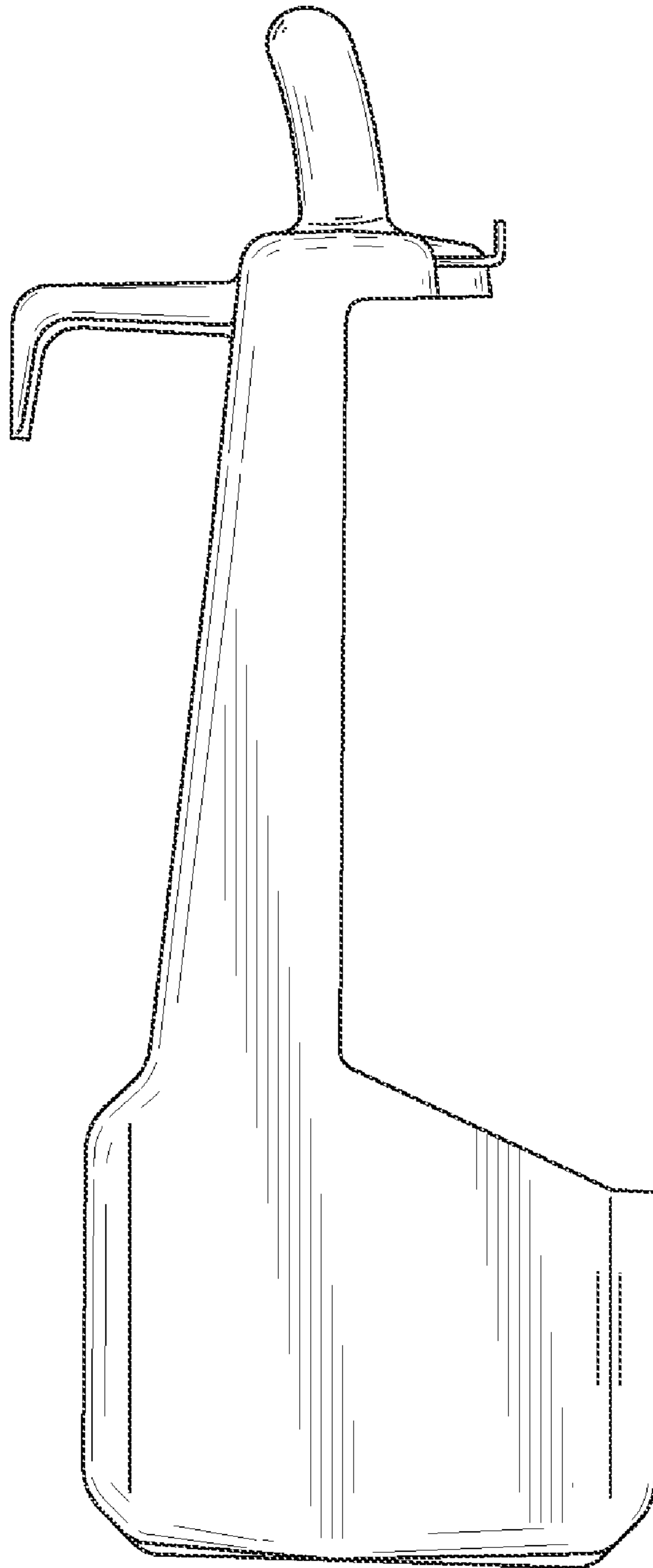


FIG. 5

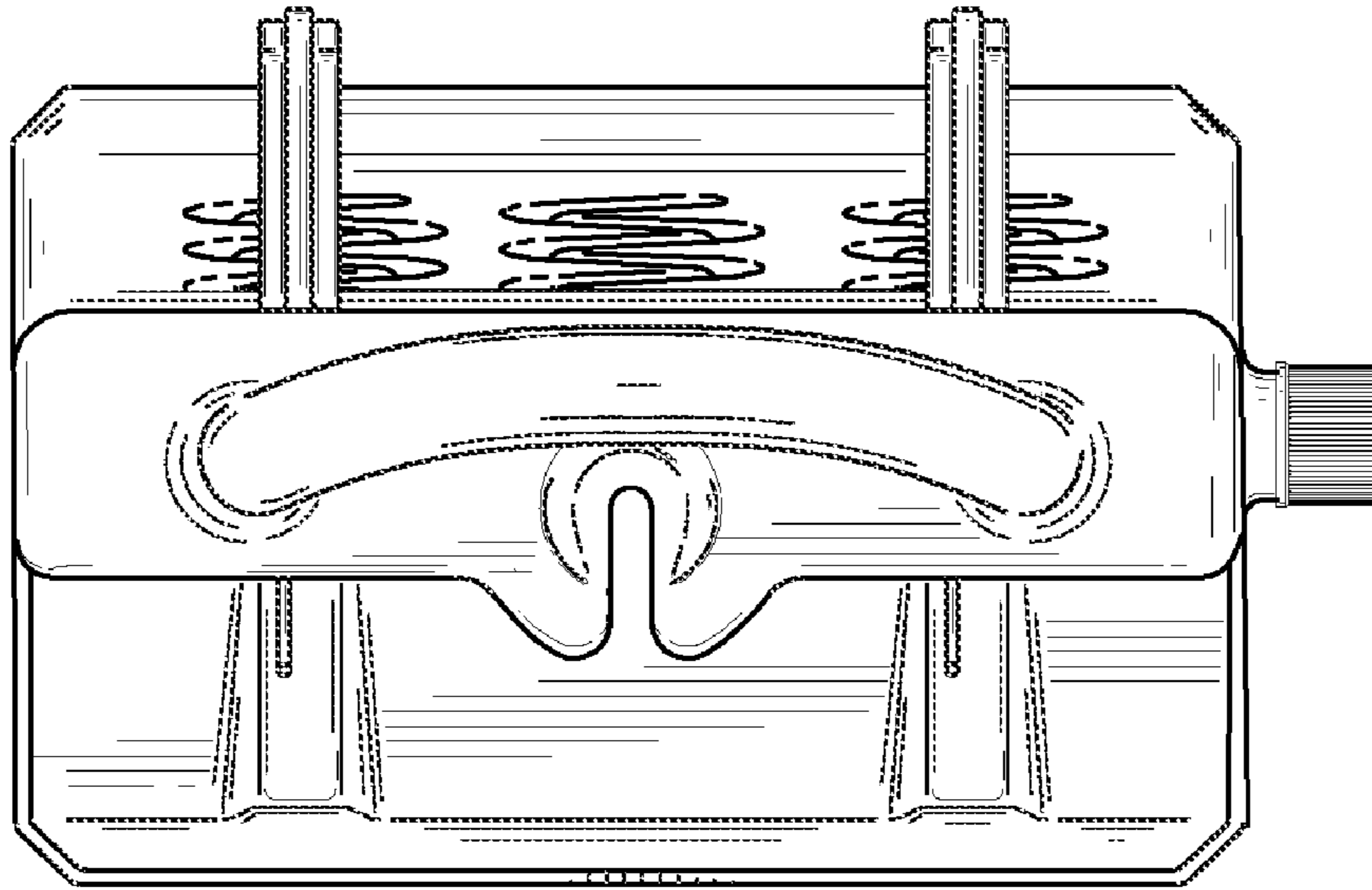


FIG. 6

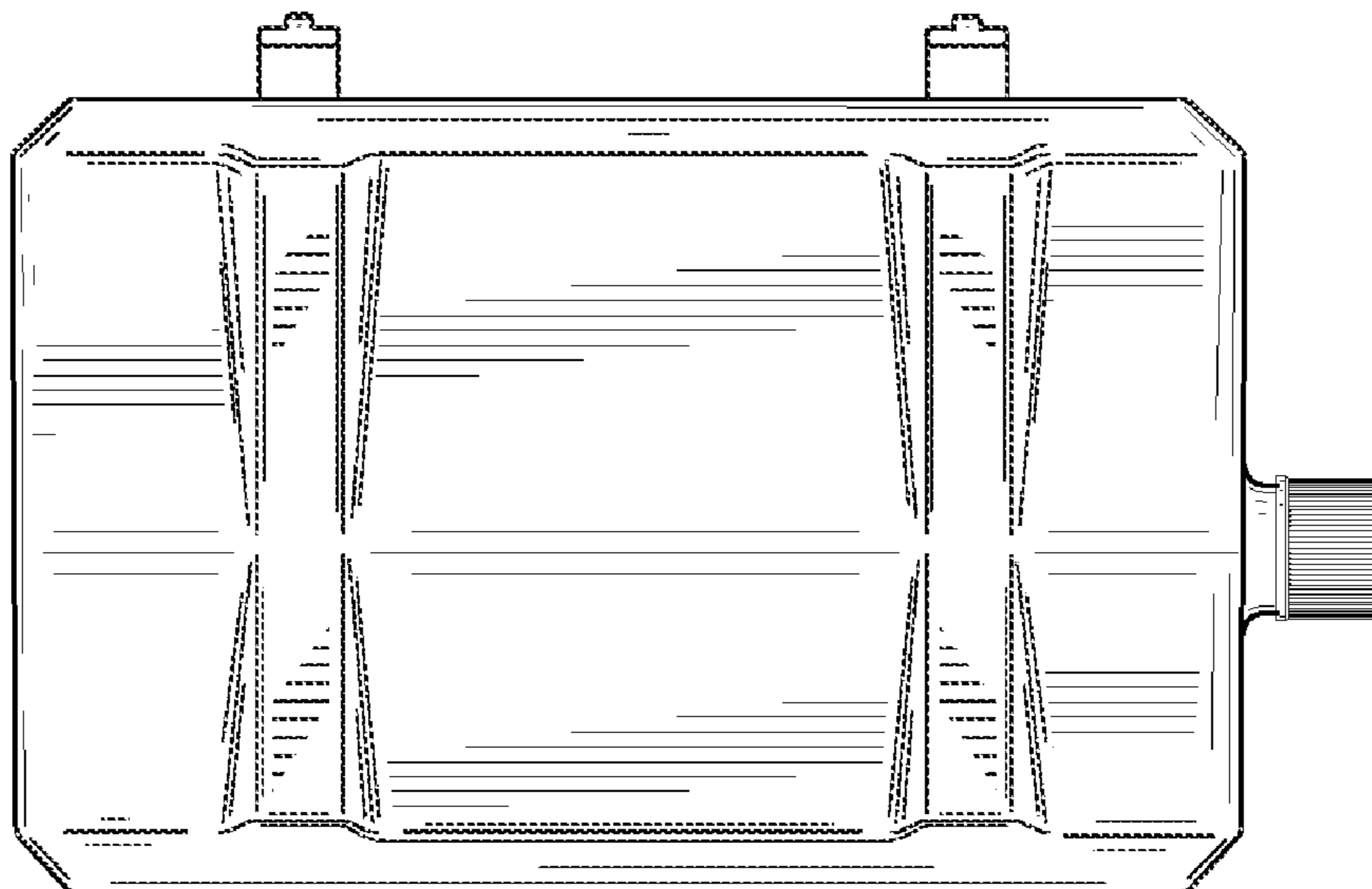


FIG. 7

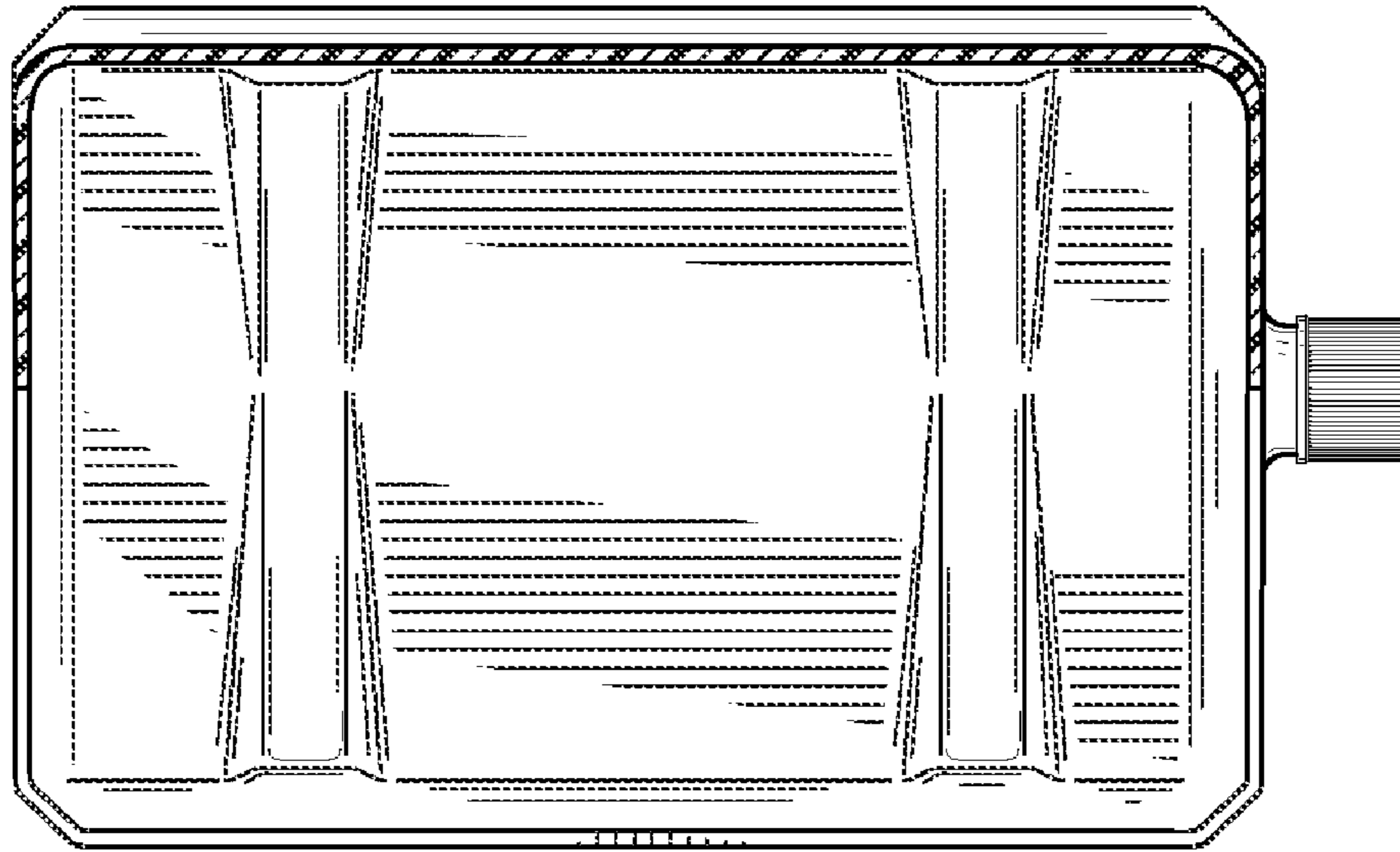


FIG. 8

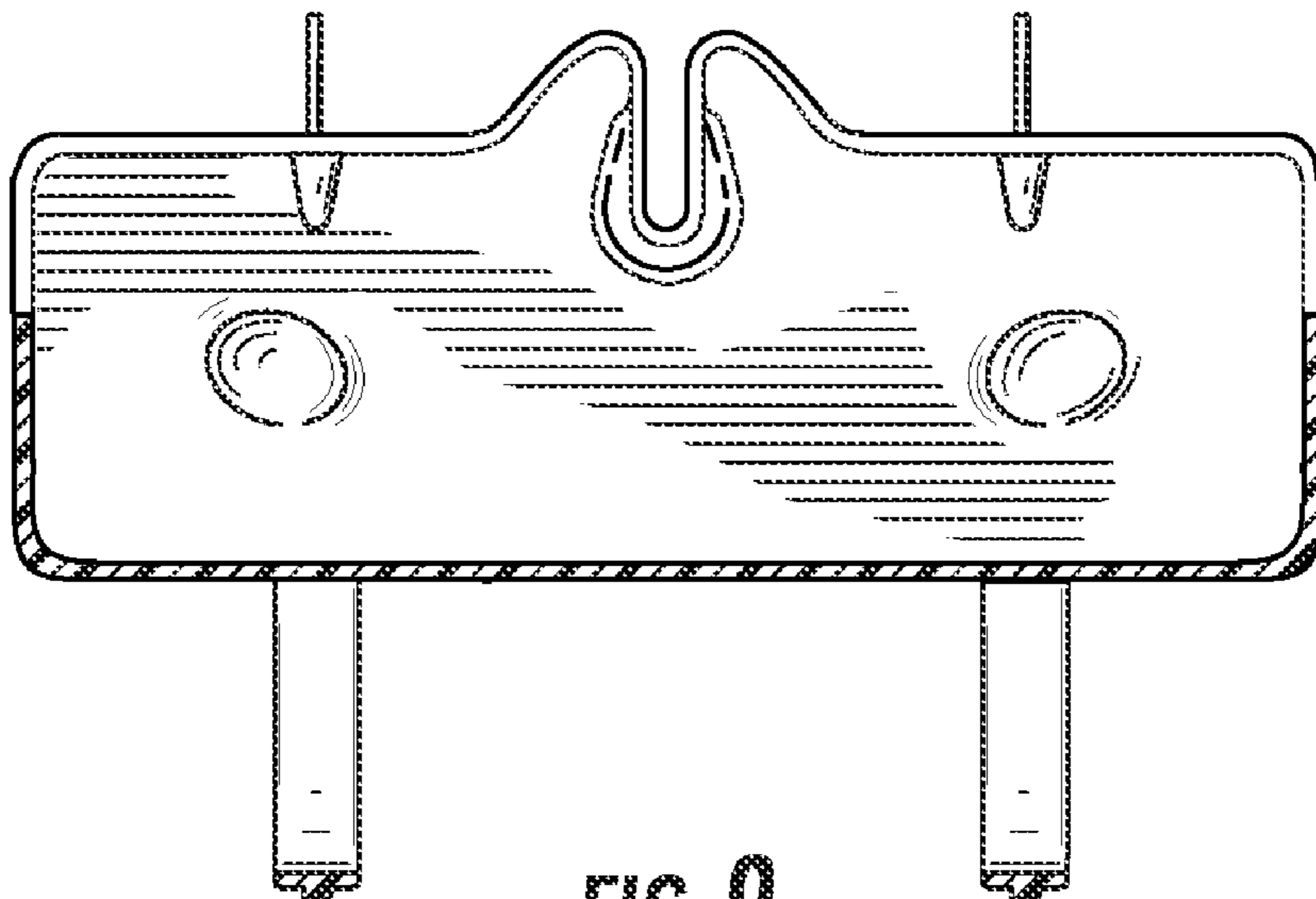


FIG. 9



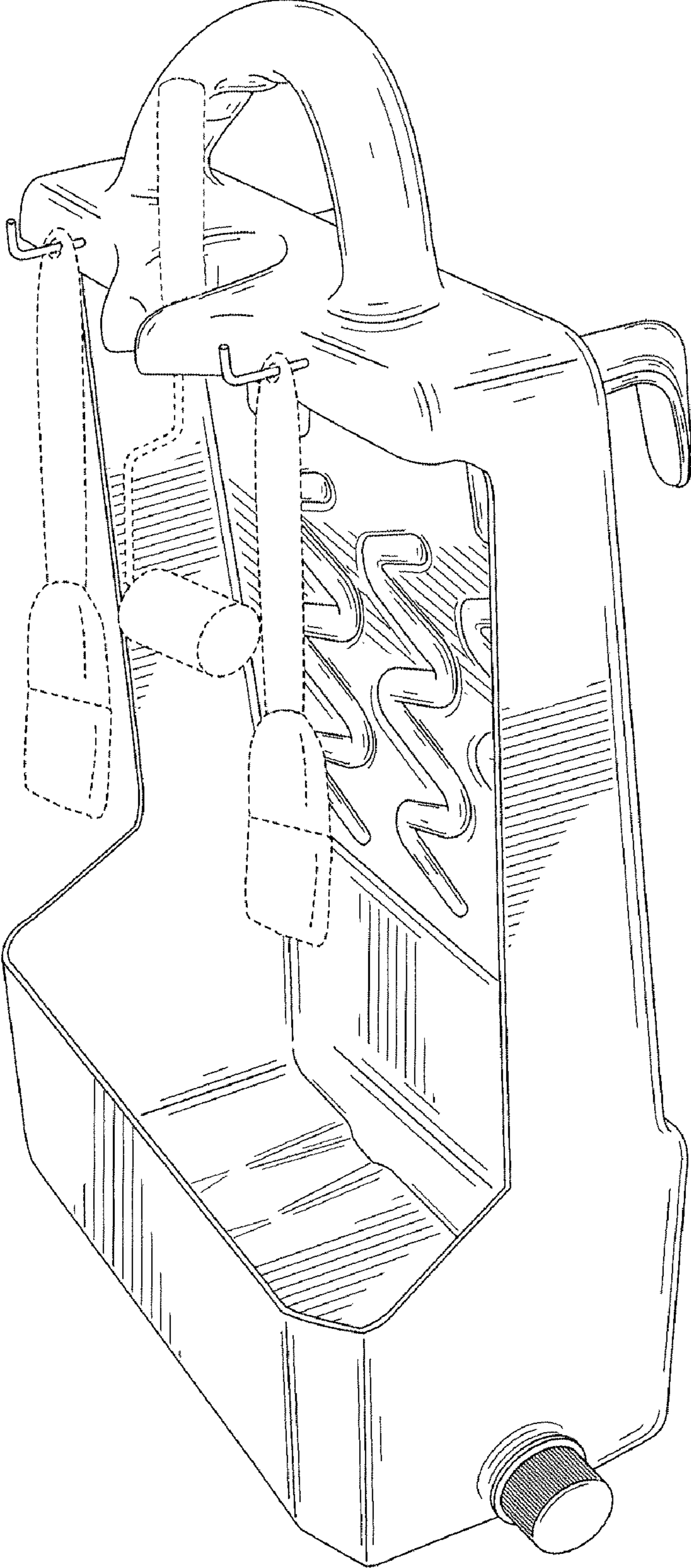


FIG. 10