



US00D603116S

(12) **United States Design Patent**
Antoniello et al.

(10) **Patent No.:** **US D603,116 S**
(45) **Date of Patent:** **** Oct. 27, 2009**

(54) **SQUEEGEE**

D517,758 S * 3/2006 Hay et al. D32/41

(76) Inventors: **Frank Antoniello**, 17 Wenmore Rd.,
Commack, NY (US) 11725; **James Tomafsky**, 35 Pelham Dr., Mantua, NJ
(US) 08051

* cited by examiner

Primary Examiner—Robin V Webster
(74) *Attorney, Agent, or Firm*—Harvey Lunenfeld

(**) Term: **14 Years**

(57) **CLAIM**

(21) Appl. No.: **29/325,234**

The ornamental design for a squeegee, as shown and described.

(22) Filed: **Sep. 26, 2008**

DESCRIPTION

(51) **LOC (9) Cl.** **04-01**

(52) **U.S. Cl.** **D32/41**

(58) **Field of Classification Search** D32/40-45;
15/244.1-244.4, 209.1, 121

FIG. 1 is a perspective view of a squeegee, showing my new design;

FIG. 2 is a front elevation view thereof;

FIG. 3 is a side elevation view thereof;

FIG. 4 is another side elevation view thereof;

FIG. 5 is a rear elevation view thereof;

FIG. 6 is a top plan view thereof; and,

FIG. 7 is a bottom plan view thereof

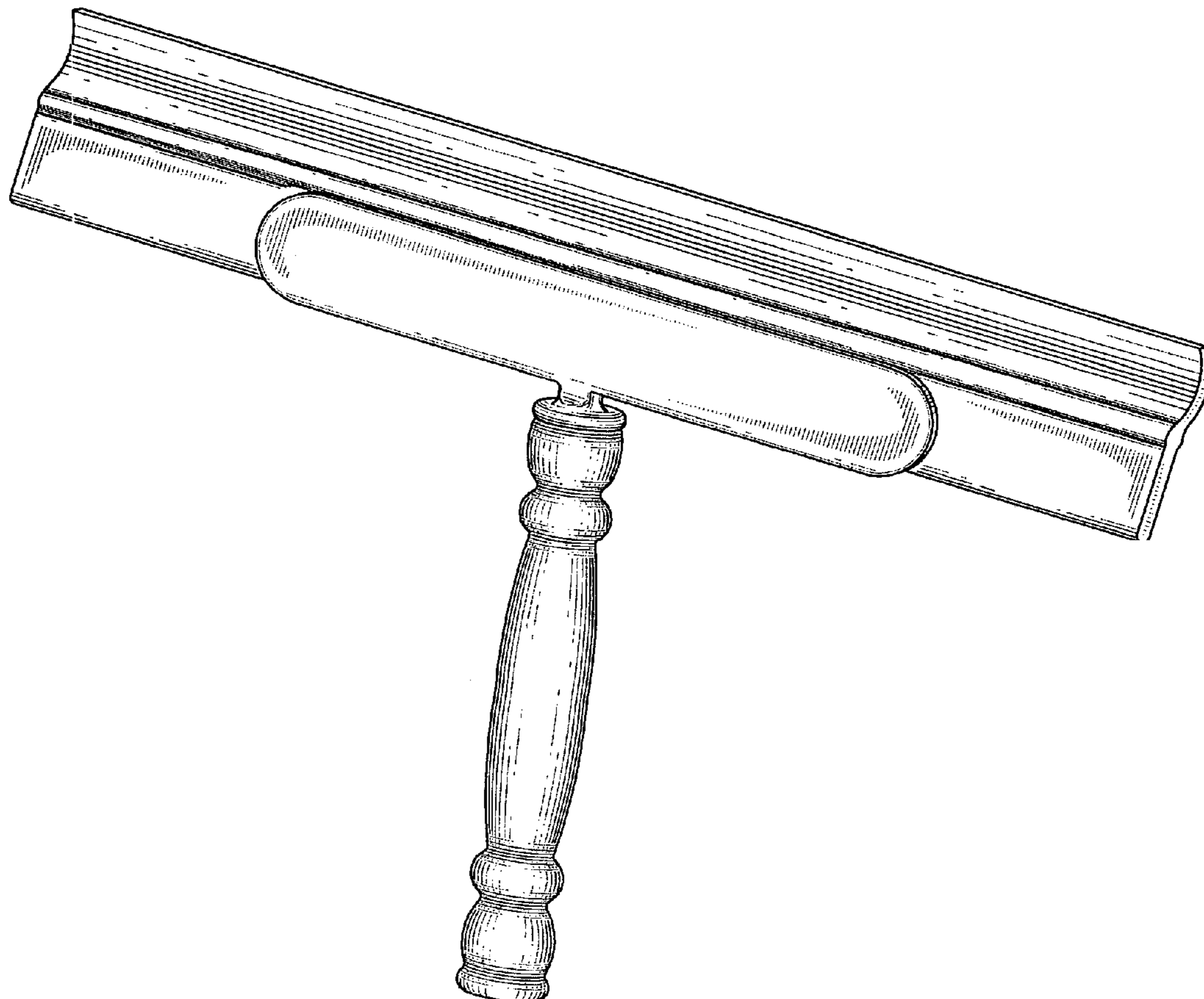
See application file for complete search history.

(56) **References Cited**

U.S. PATENT DOCUMENTS

4,941,228	A	*	7/1990	Belanger et al.	15/245
D480,853	S	*	10/2003	Snell	D32/41
D487,830	S	*	3/2004	Snell	D32/41
D515,758	S	*	2/2006	Turchi et al.	D32/42

1 Claim, 5 Drawing Sheets



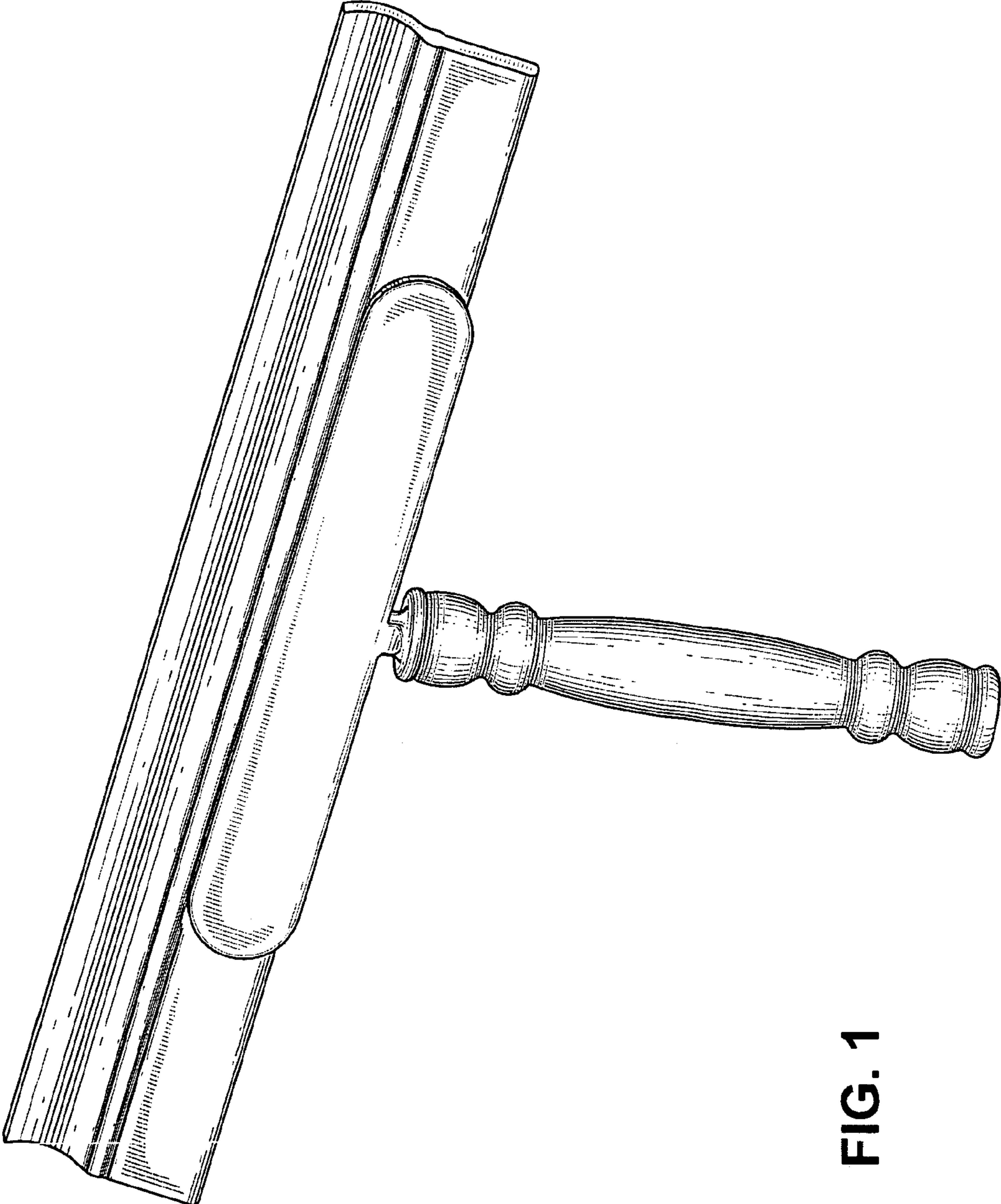


FIG. 1

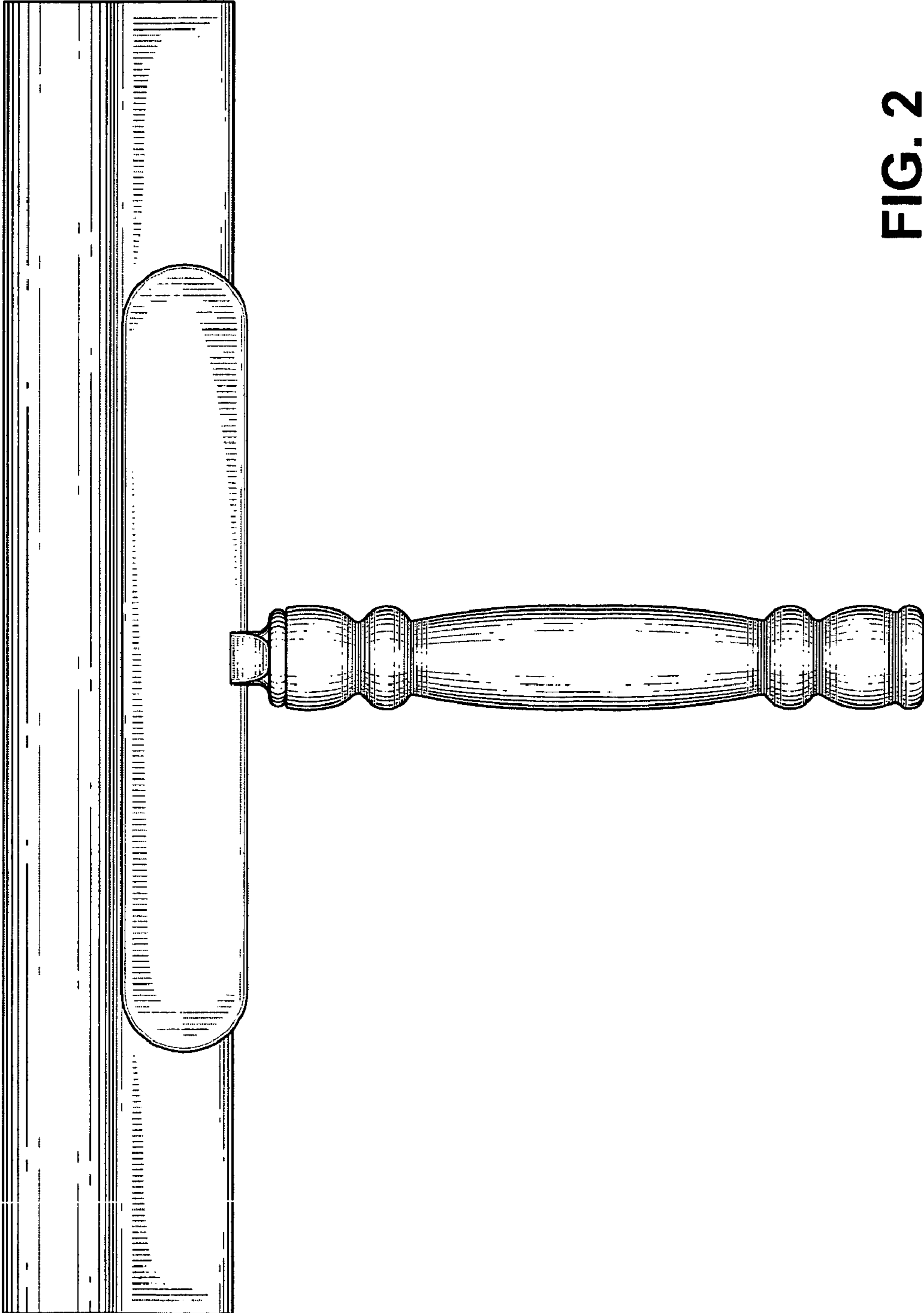


FIG. 2

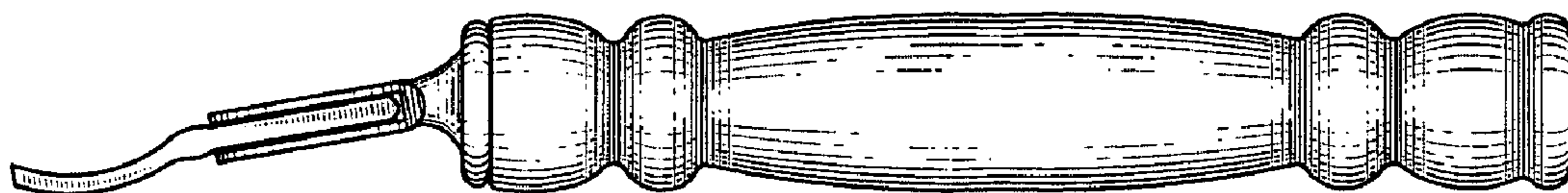


FIG. 4

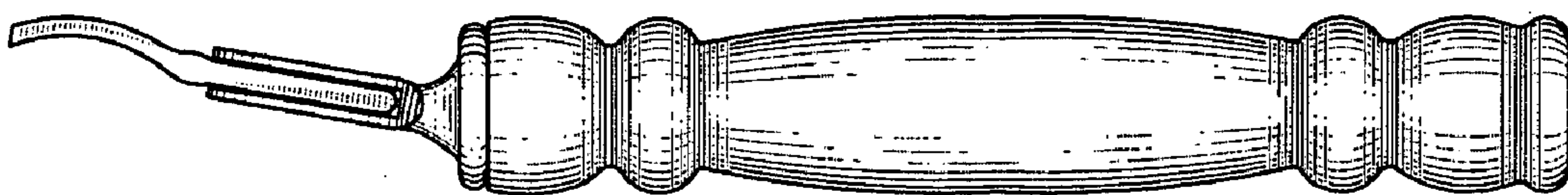


FIG. 3

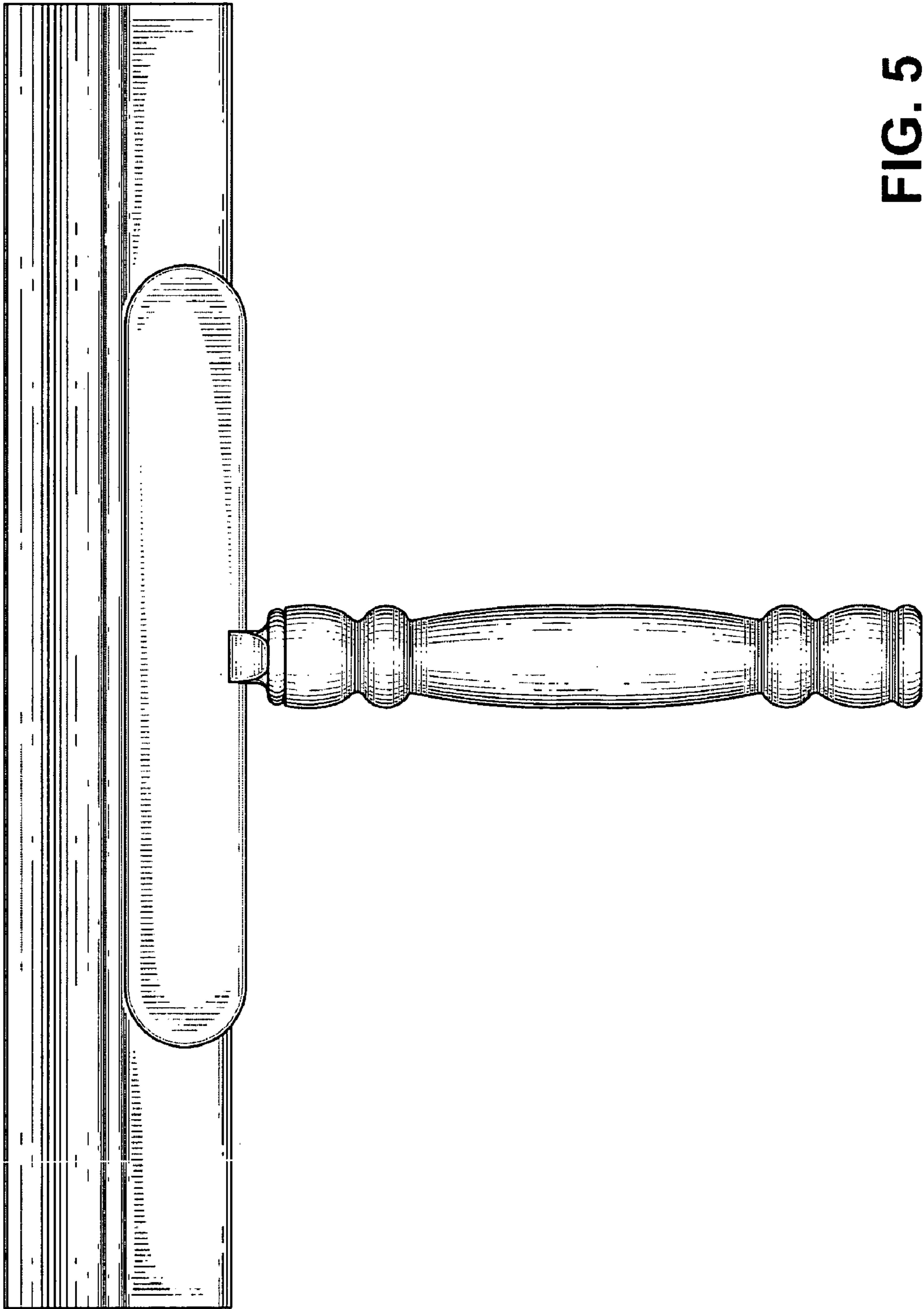


FIG. 5

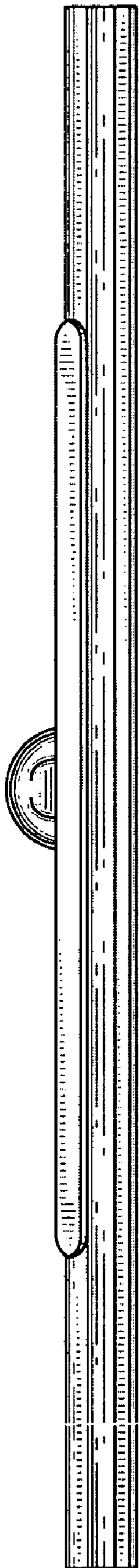


FIG. 6

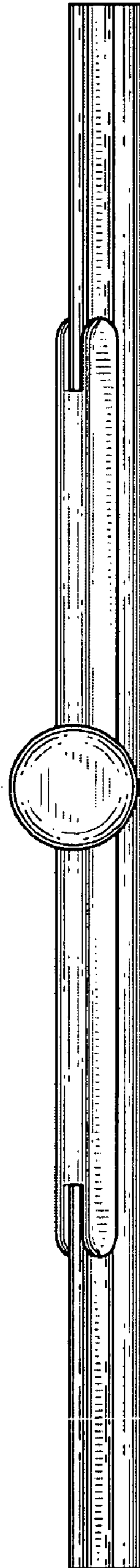


FIG. 7