



US00D603114S

(12) **United States Design Patent**
Warburton

(10) **Patent No.:** **US D603,114 S**

(45) **Date of Patent:** **** Oct. 27, 2009**

(54) **VACUUM CLEANER WITH HEAD**
(75) Inventor: **Graeme Antony Warburton**, Hoogland (NL)
(73) Assignee: **Koninklijke Philips Electronics N.V.**, Eindhoven (NL)

(**) Term: **14 Years**

(21) Appl. No.: **29/326,723**

(22) Filed: **Oct. 23, 2008**

(30) **Foreign Application Priority Data**
Apr. 25, 2008 (EM) 000924816-0001

(51) **LOC (9) Cl.** **15-05**
(52) **U.S. Cl.** **D32/21**
(58) **Field of Classification Search** D32/1,
D32/21, 31; 15/327.1-327.7, 340.2, 412,
15/320-321, 329, 323, 246.2, 353; 417/234;
55/459.1, DIG. 3, 345, 337, 429, 460; 95/271;
210/512.1

See application file for complete search history.

(56) **References Cited**

U.S. PATENT DOCUMENTS

D394,527 S * 5/1998 Pochopien et al. D32/21
D399,617 S * 10/1998 Fujita D32/21
D417,046 S * 11/1999 Tsuruha et al. D32/21
D430,366 S * 8/2000 Sato et al. D32/21

D459,040 S * 6/2002 Oh D32/21
D463,077 S * 9/2002 Kim D32/21
D485,653 S * 1/2004 Warburton D32/21
D490,580 S * 5/2004 Choi D32/21
D518,609 S * 4/2006 Ågren et al. D32/21
D520,198 S * 5/2006 Sung D32/21
D523,197 S * 6/2006 Frederick et al. D32/32
D539,492 S * 3/2007 Konno D32/21
D552,810 S * 10/2007 Shin D32/21
D553,811 S * 10/2007 Shin D32/21
D556,398 S * 11/2007 Shin D32/21

* cited by examiner

Primary Examiner—Ruth McInroy

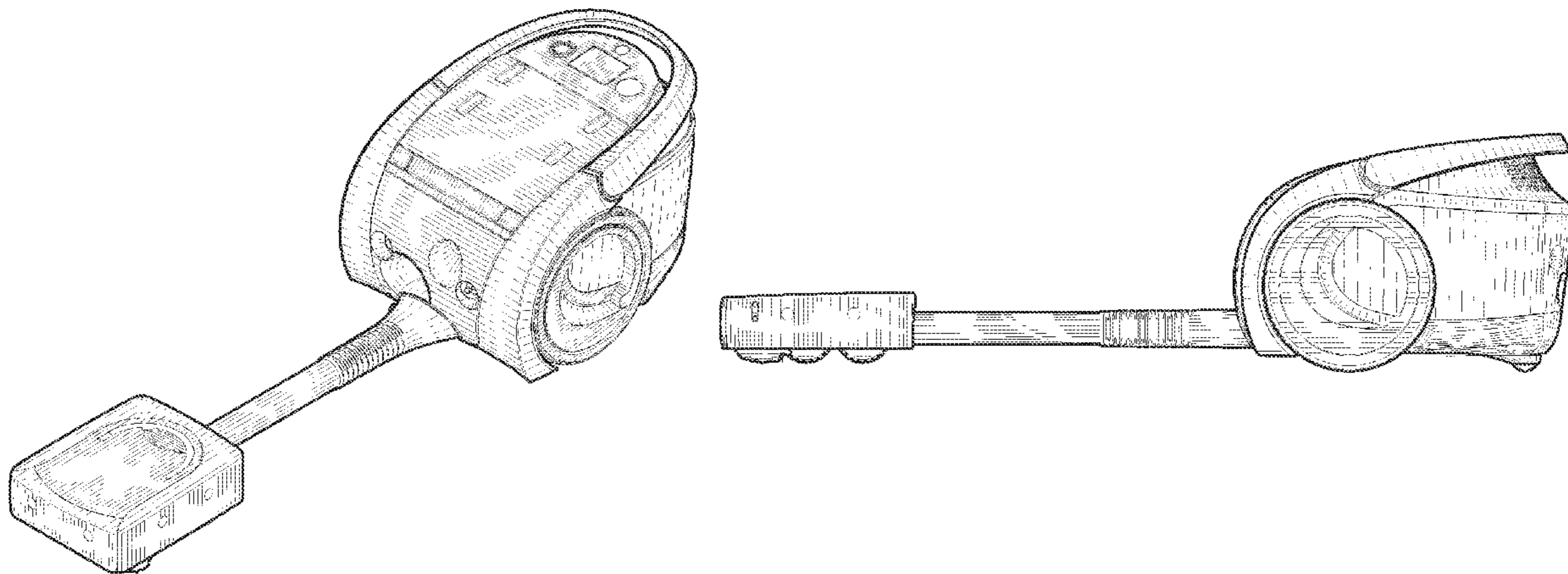
(57) **CLAIM**

The ornamental design for a vacuum cleaner with head, as shown.

DESCRIPTION

FIG. 1 is a perspective view of a vacuum cleaner with head showing my new design;
FIG. 2 is a front elevational view thereof;
FIG. 3 is a rear elevational view thereof;
FIG. 4 is a right side elevational view thereof;
FIG. 5 is a left side elevational view thereof;
FIG. 6 is a top plan view thereof; and,
FIG. 7 is a bottom plan view thereof.

1 Claim, 4 Drawing Sheets



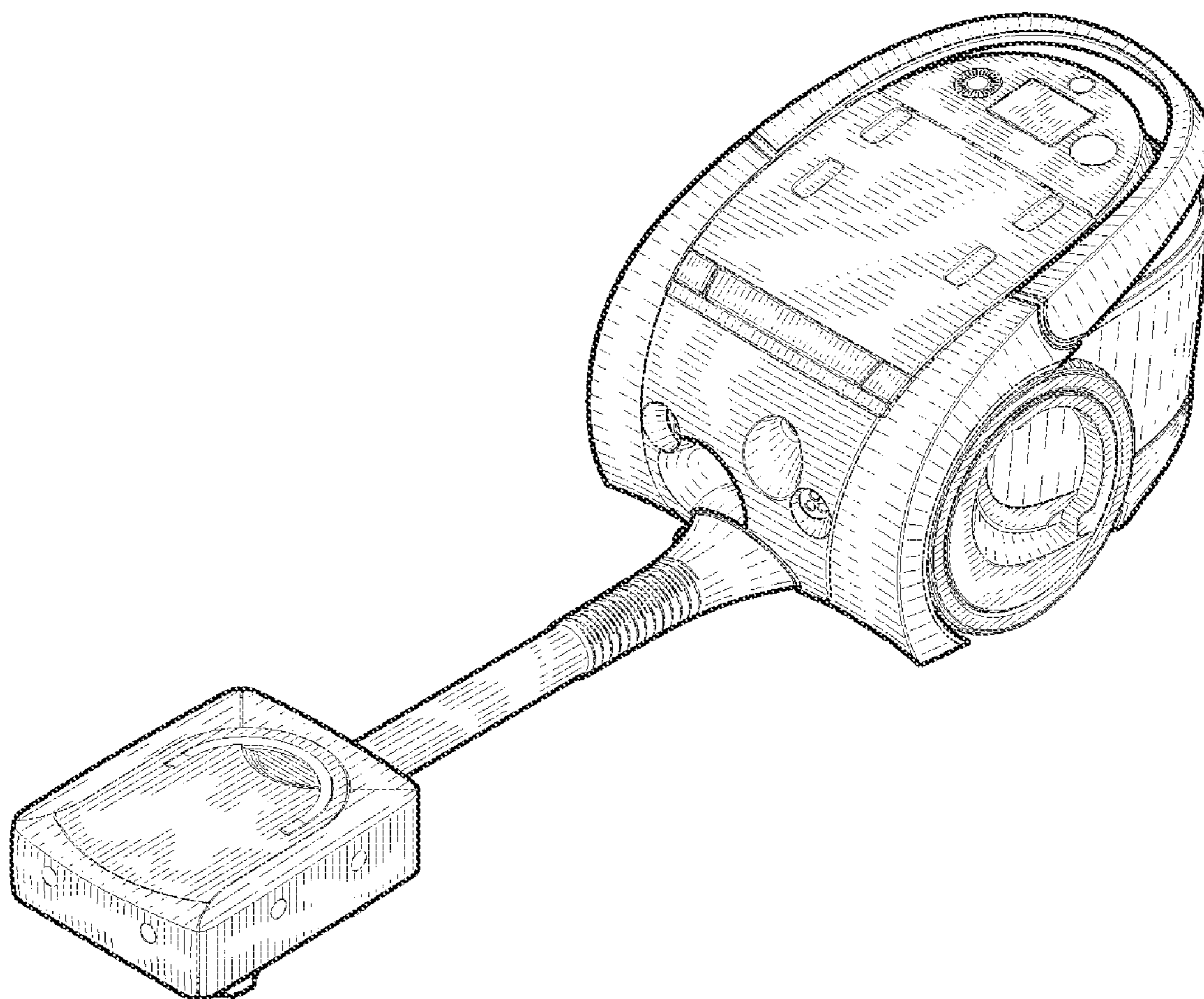


FIG. 1

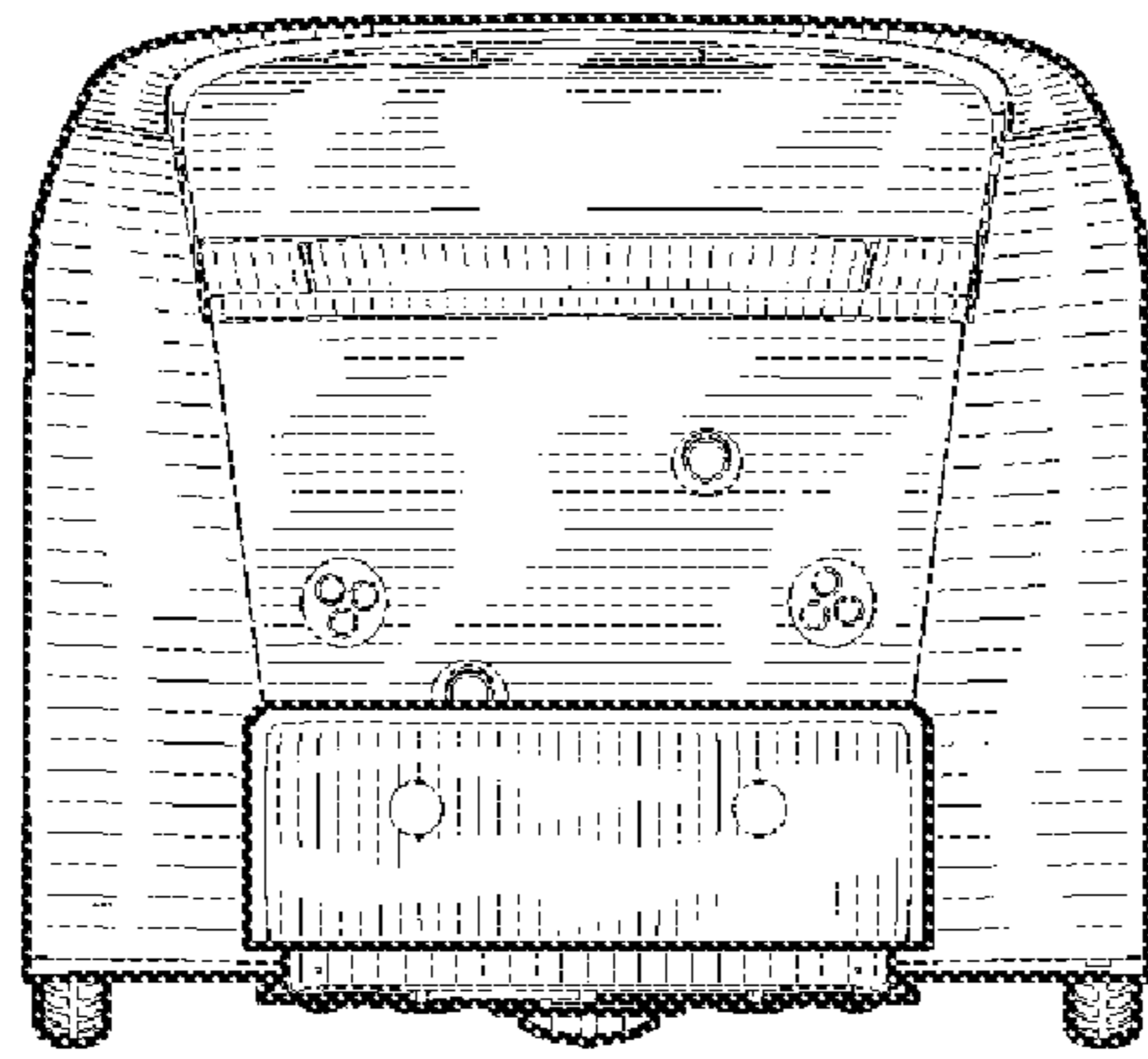


FIG. 2

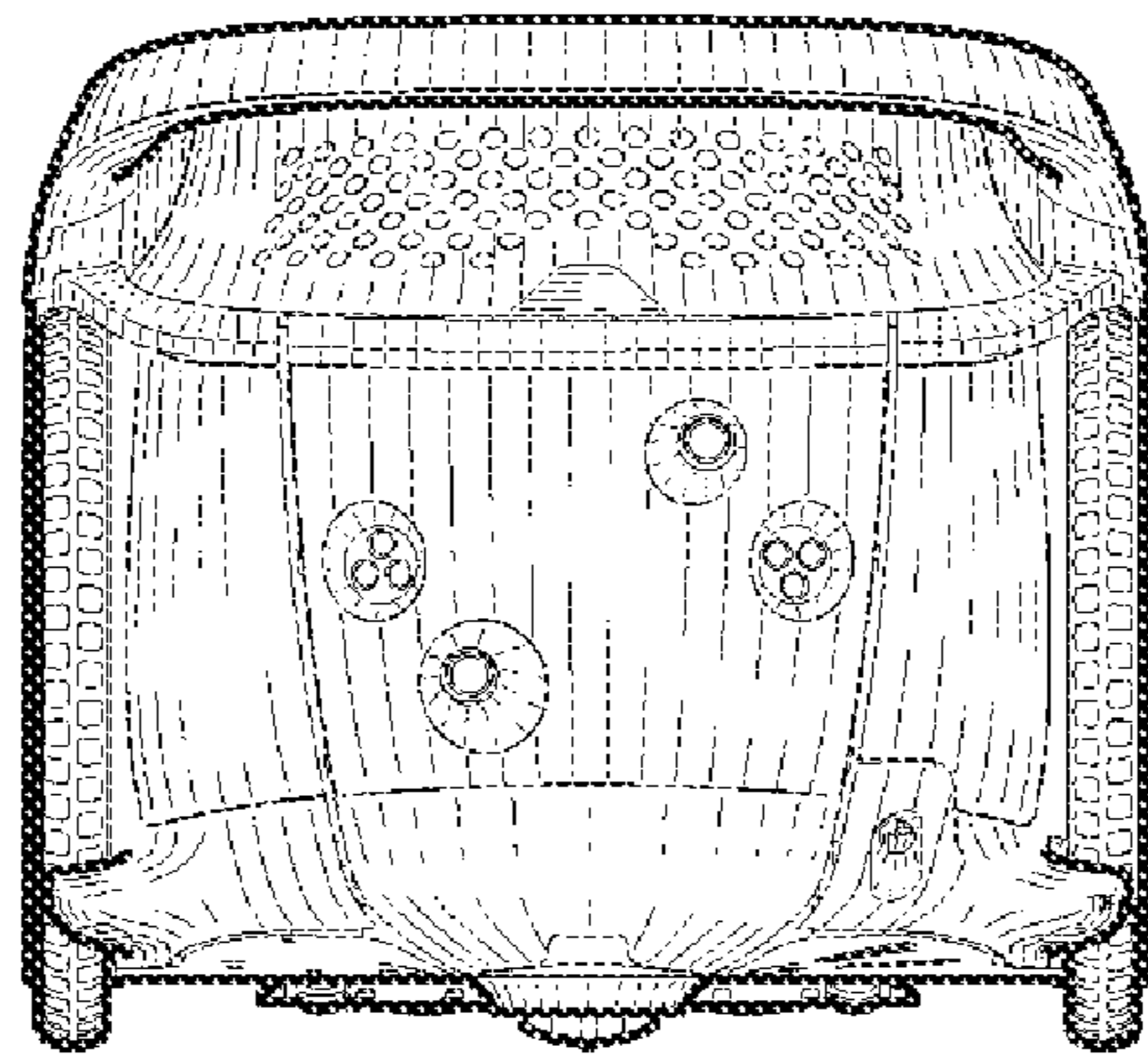


FIG. 3

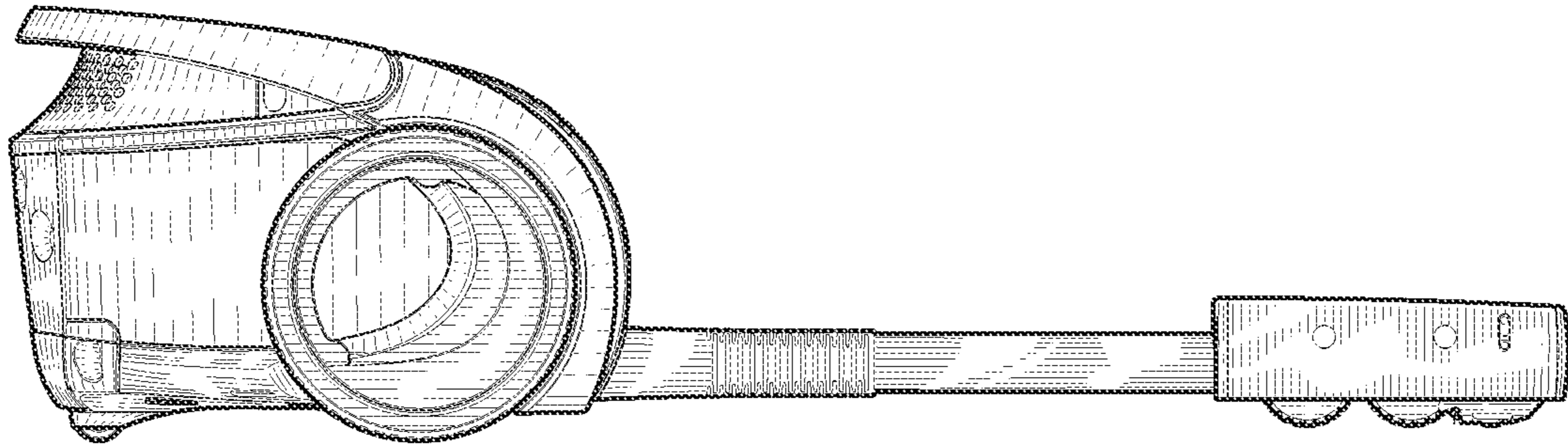


FIG. 4

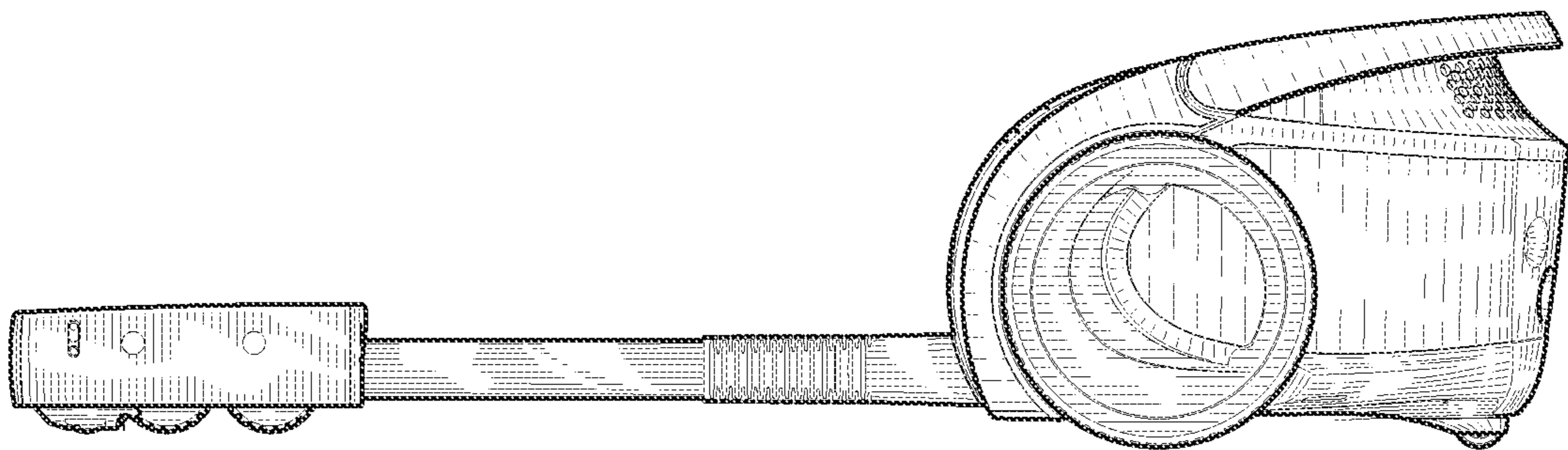


FIG. 5

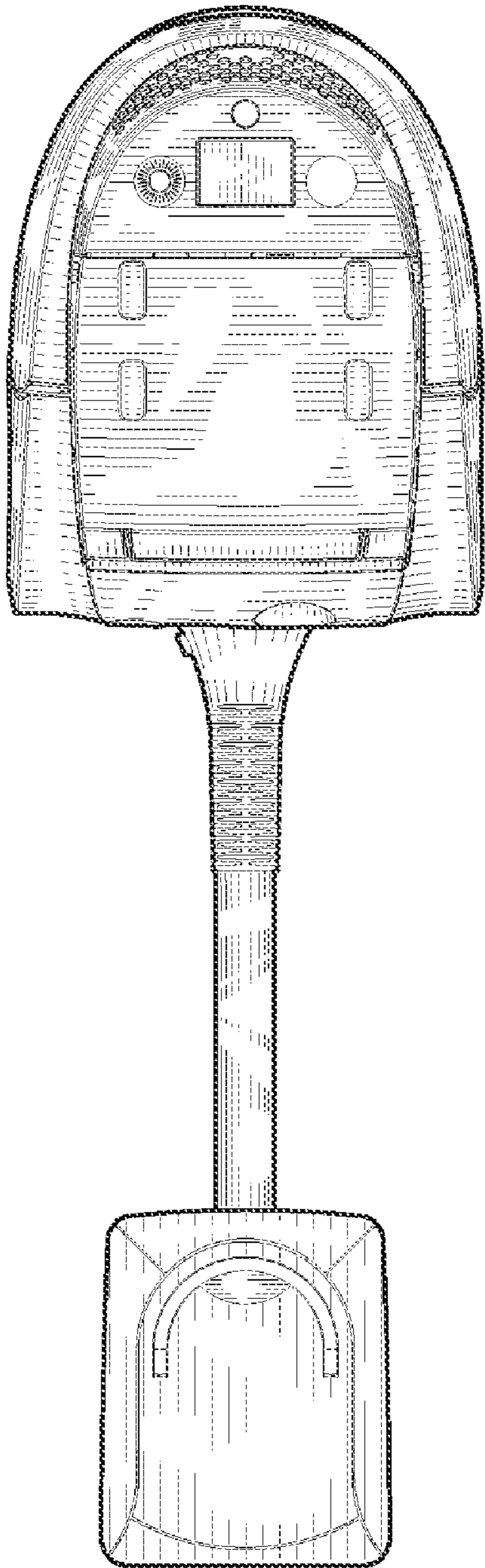


FIG. 6

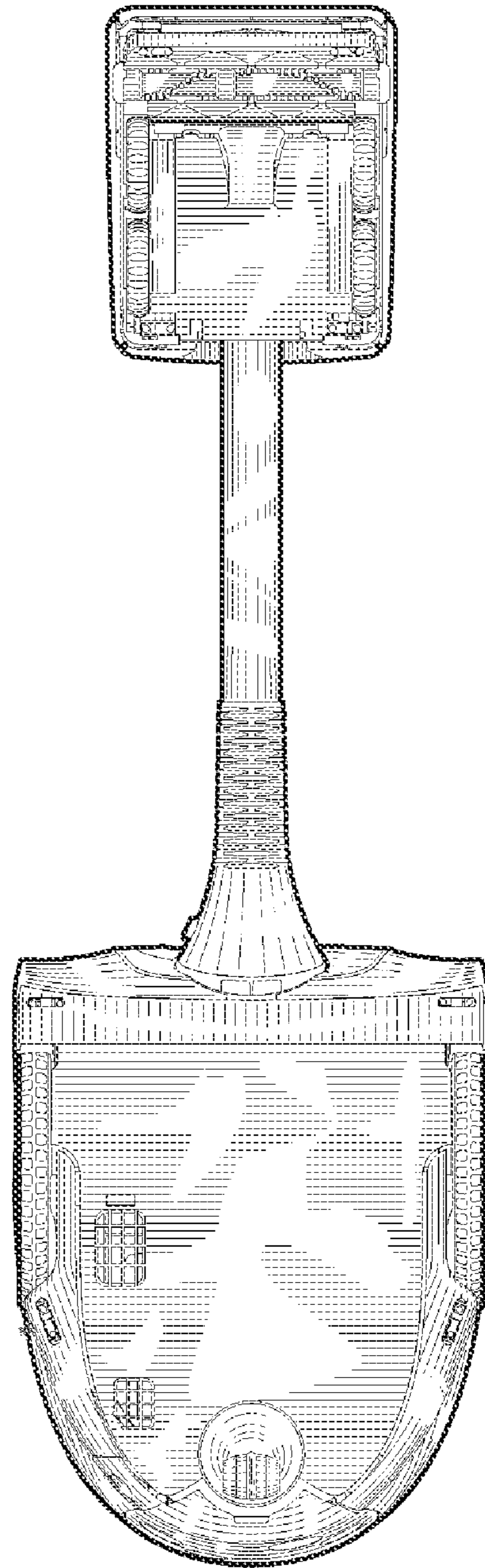


FIG. 7