



US00D603110S

(12) **United States Design Patent**
Ragonetti et al.

(10) **Patent No.:** **US D603,110 S**
(45) **Date of Patent:** **** Oct. 27, 2009**

- (54) **GROOMING TOOL HANDLE**
- (75) Inventors: **Peter Ragonetti**, Brooklyn, NY (US);
Jonathan Willinger, Tenafly, NJ (US);
Ryan Rutherford, Rutherford, NJ (US)
- (73) Assignee: **J.W. Pet Company, Inc.**, Teterboro, NJ (US)
- (**) Term: **14 Years**
- (21) Appl. No.: **29/323,155**
- (22) Filed: **Aug. 20, 2008**

Related U.S. Application Data

- (62) Division of application No. 29/266,492, filed on Sep. 21, 2006, now Pat. No. Des. 582,103.
- (51) **LOC (9) Cl.** **30-99**
- (52) **U.S. Cl.** **D30/158**
- (58) **Field of Classification Search** D30/158, D30/199; 119/601, 600, 650, 610, 652, 602, 119/605, 607; D28/60; 132/73.5, 73, 75.4, 132/75.5; 30/26-29, 123, 175, 179, 124, 30/125, 182, 131, 145; 606/165, 175; 168/48.1; 83/13, 130; 340/573.1; 600/310; 362/119, 362/253, 800; 7/162; D8/5, 52, 56, 55, 107
See application file for complete search history.

(56) **References Cited**

U.S. PATENT DOCUMENTS

- 442,155 A * 12/1890 Virtue 16/431
- 2,632,245 A 3/1953 De Garmo
- 2,955,354 A * 10/1960 Laing 30/29
- 3,283,404 A 11/1966 Hickman
- D218,796 S 9/1970 Rogers
- 3,838,507 A * 10/1974 Clark 30/29
- 3,943,947 A * 3/1976 Voll 132/73
- 4,074,597 A 2/1978 Jansson
- 4,219,919 A * 9/1980 Fischbein et al. 29/270
- D259,854 S * 7/1981 Wahlberg D8/58
- D259,913 S * 7/1981 Wahlberg D8/58
- D260,308 S * 8/1981 Suchowski D30/158
- D262,090 S 12/1981 Wahlberg
- 4,304,158 A * 12/1981 Brunosson et al. 81/427.5
- D268,002 S * 2/1983 Brunosson et al. D8/58

- 4,449,297 A * 5/1984 Fuchs et al. 30/29
- 4,829,858 A 5/1989 Kern et al.
- 5,065,513 A * 11/1991 Reiswig 30/29
- 5,220,856 A * 6/1993 Eggert et al. 81/416
- D366,199 S 1/1996 Bartky
- 5,640,770 A * 6/1997 Fowler 30/29
- D386,957 S * 12/1997 Jansson et al. D8/52
- 5,727,318 A * 3/1998 Reiswig 30/29
- D402,409 S * 12/1998 Kaneko D28/60
- D403,117 S * 12/1998 Kaneko D28/60
- D406,520 S * 3/1999 Bunzel et al. D8/107
- D431,761 S 10/2000 Deville
- 6,131,244 A * 10/2000 Bares 16/430
- D464,554 S * 10/2002 Chen D8/107
- D472,127 S * 3/2003 Willinger et al. D8/107
- D477,208 S * 7/2003 Panosian D8/107
- 6,827,038 B2 * 12/2004 Dunn et al. 119/600
- 7,124,669 B1 * 10/2006 Rodgers 83/13
- 7,217,001 B2 * 5/2007 Vrsalovic et al. 362/119
- D545,654 S * 7/2007 Russo et al. D8/52
- 7,263,775 B2 * 9/2007 Moulton, III 30/29
- 2005/0211030 A1 * 9/2005 Moulton 83/13

* cited by examiner

Primary Examiner—Susan Moon Lee

(74) *Attorney, Agent, or Firm*—Katten Muchin Rosenman LLP

(57) **CLAIM**

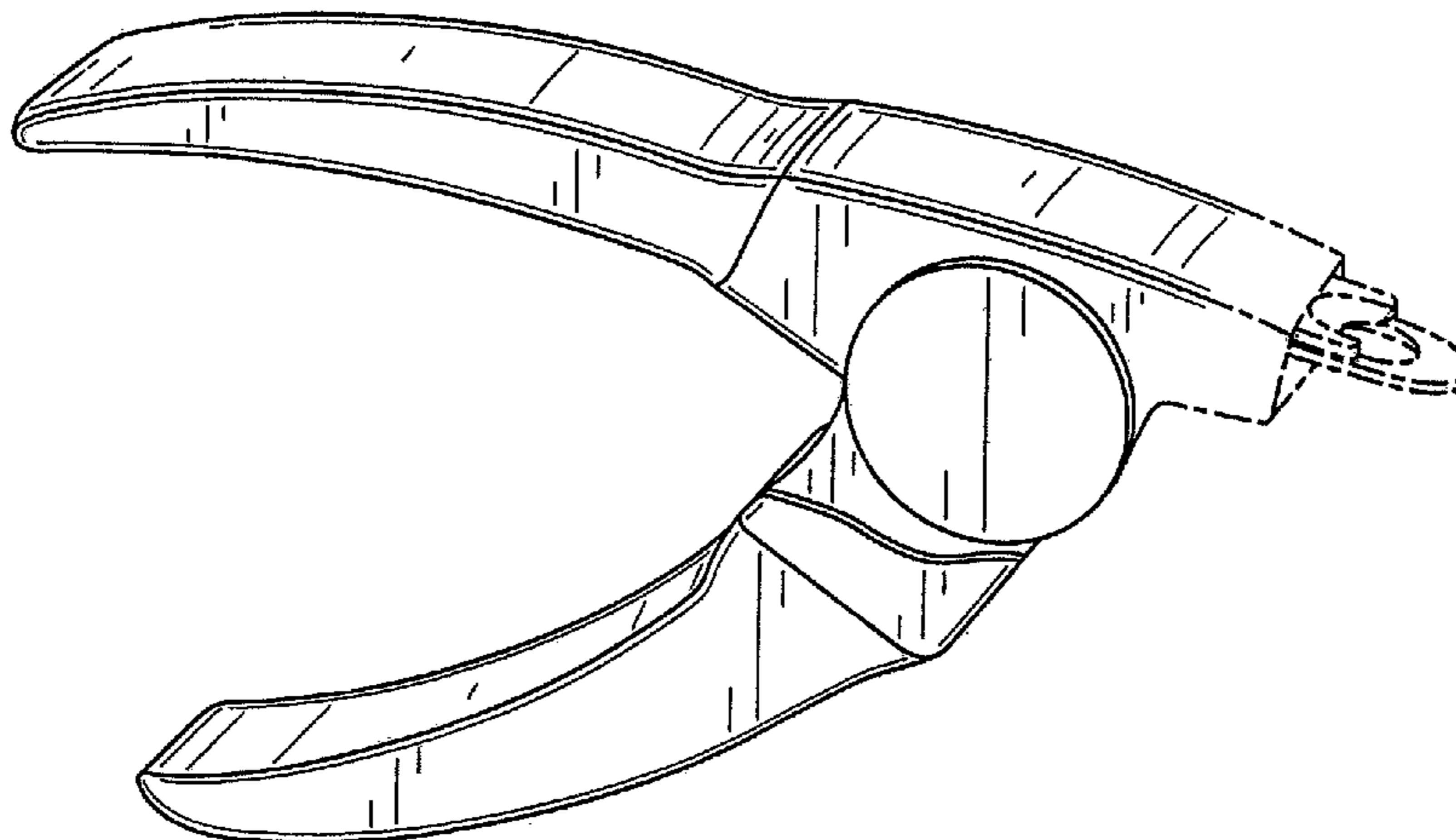
The ornamental design for a grooming tool handle, as shown and described.

DESCRIPTION

FIG. 1 is a perspective view of the grooming tool handle, FIG. 2 is a front view thereof, FIG. 3 is a rear view thereof, FIG. 4 is a left-side view thereof, FIG. 5 is a right-side view thereof, FIG. 6 is a top view thereof; and, FIG. 7 is a bottom view thereof.

The broken lines form no part of the claimed design.

1 Claim, 5 Drawing Sheets



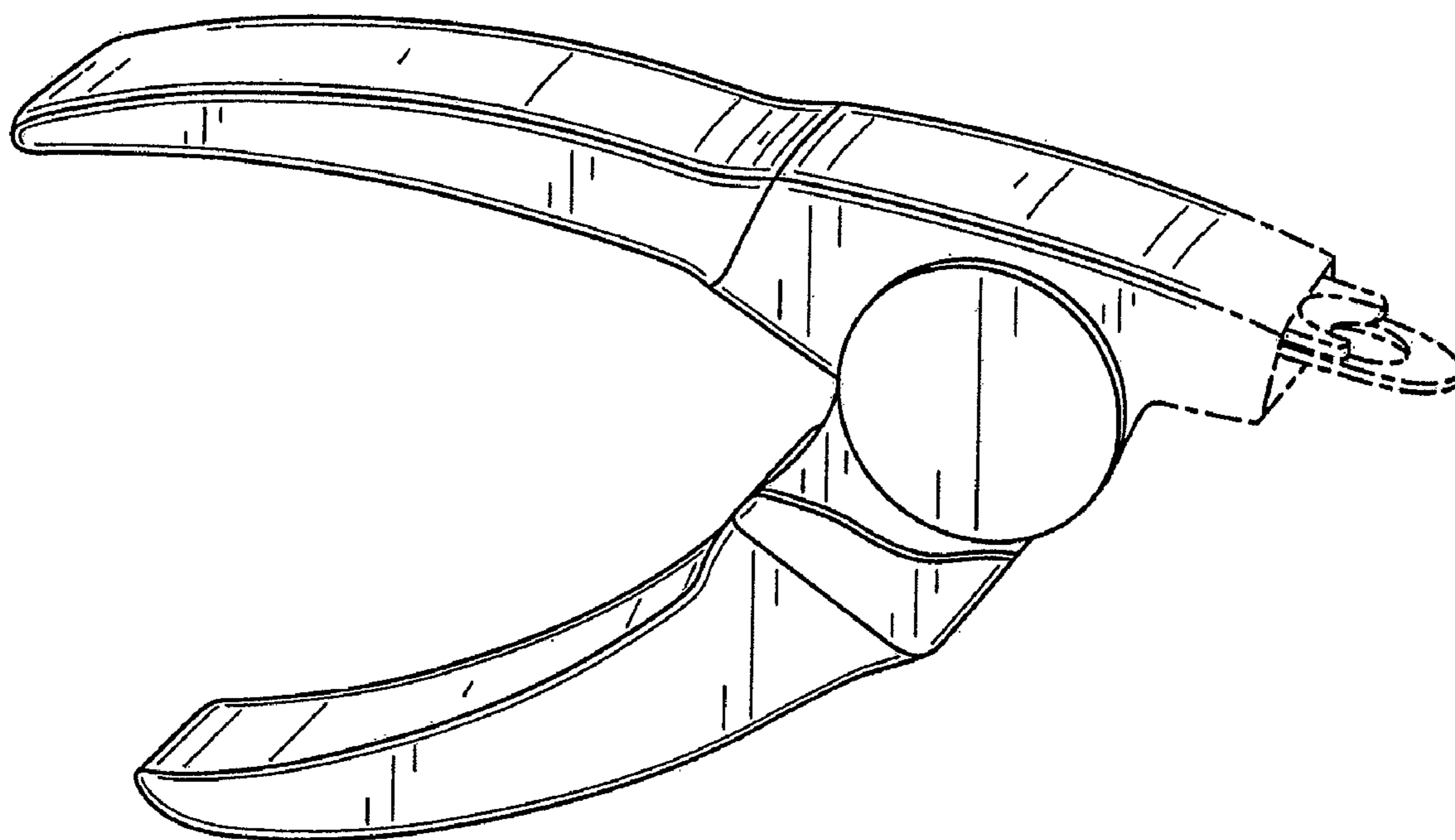


FIG. 1

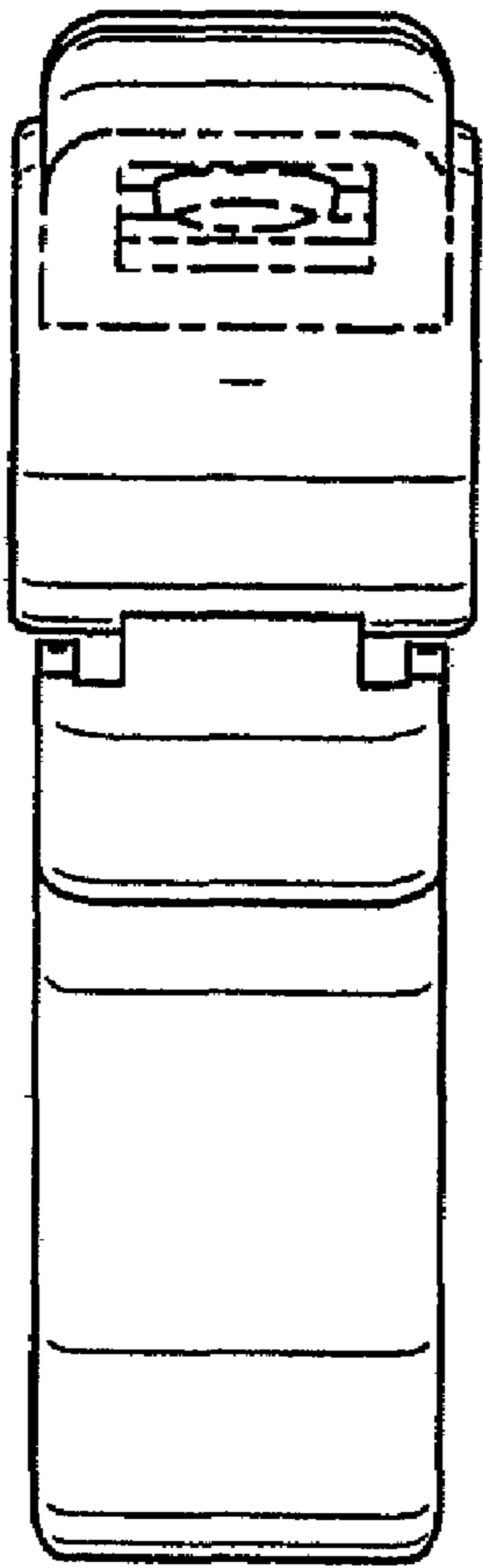


FIG. 2

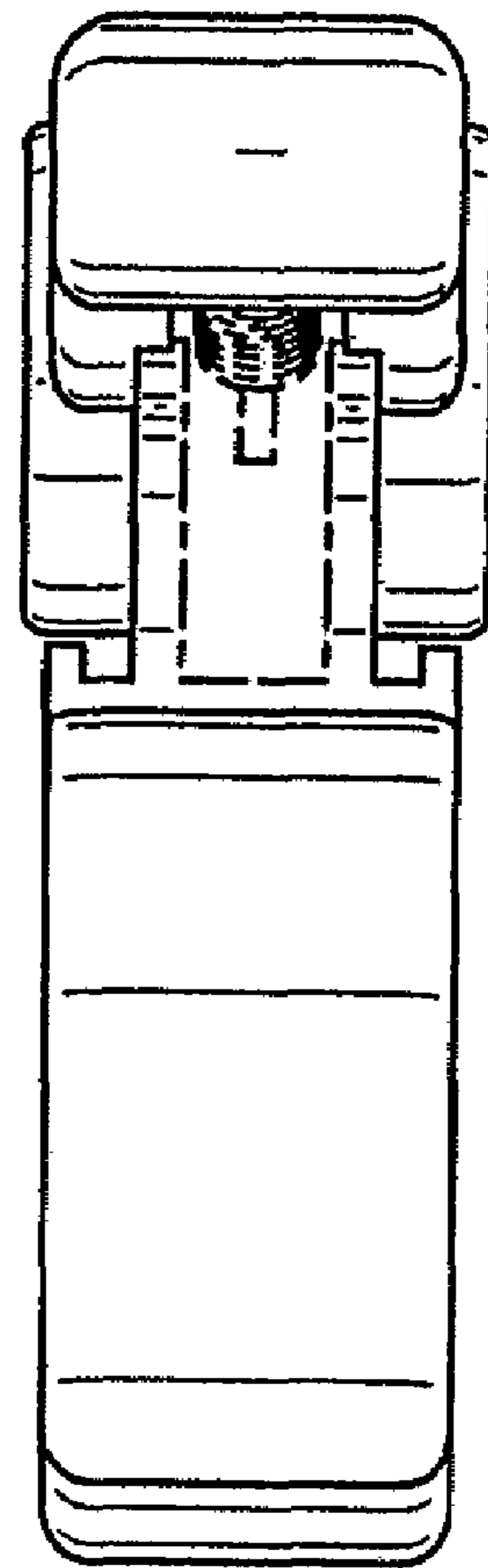


FIG. 3

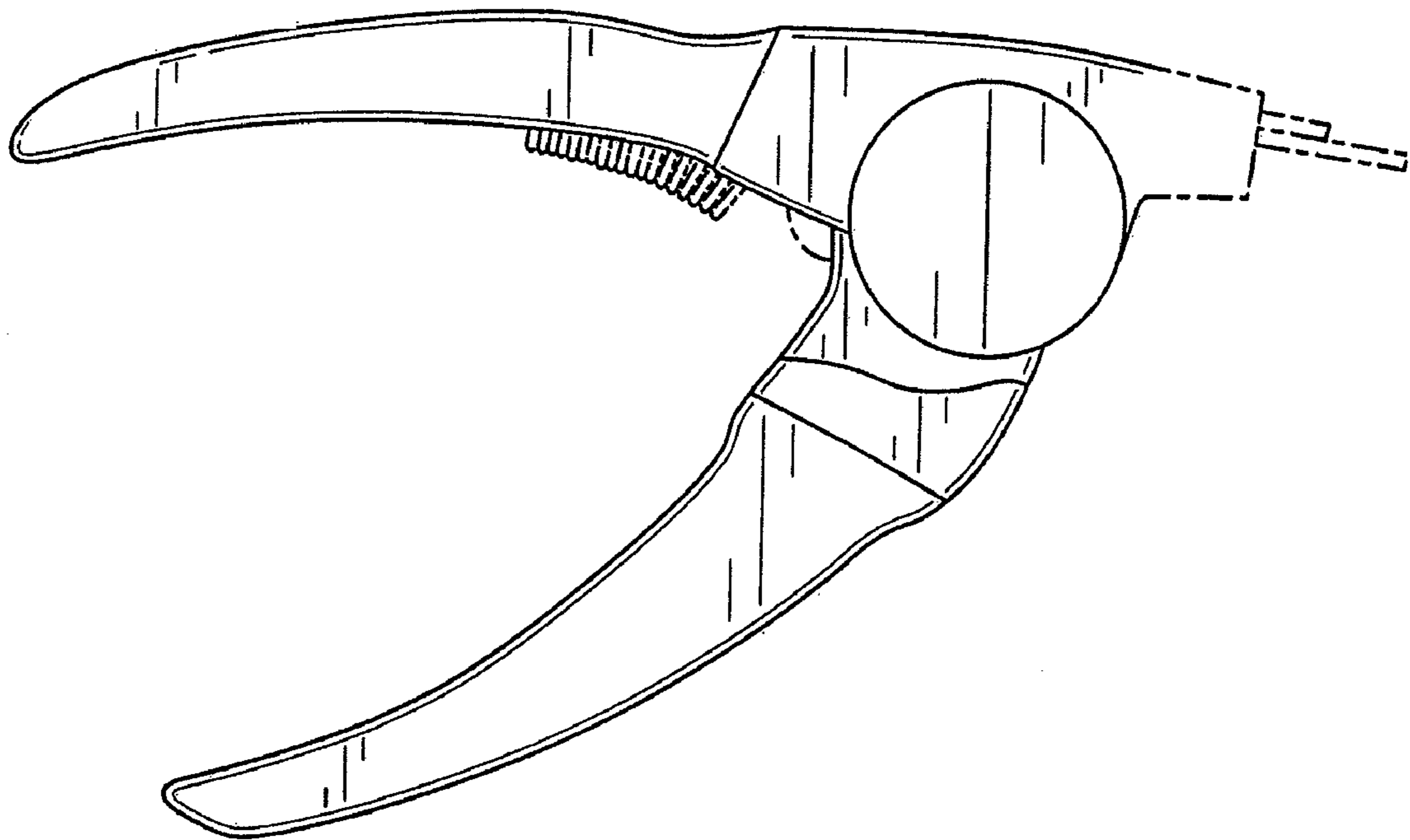


FIG. 4

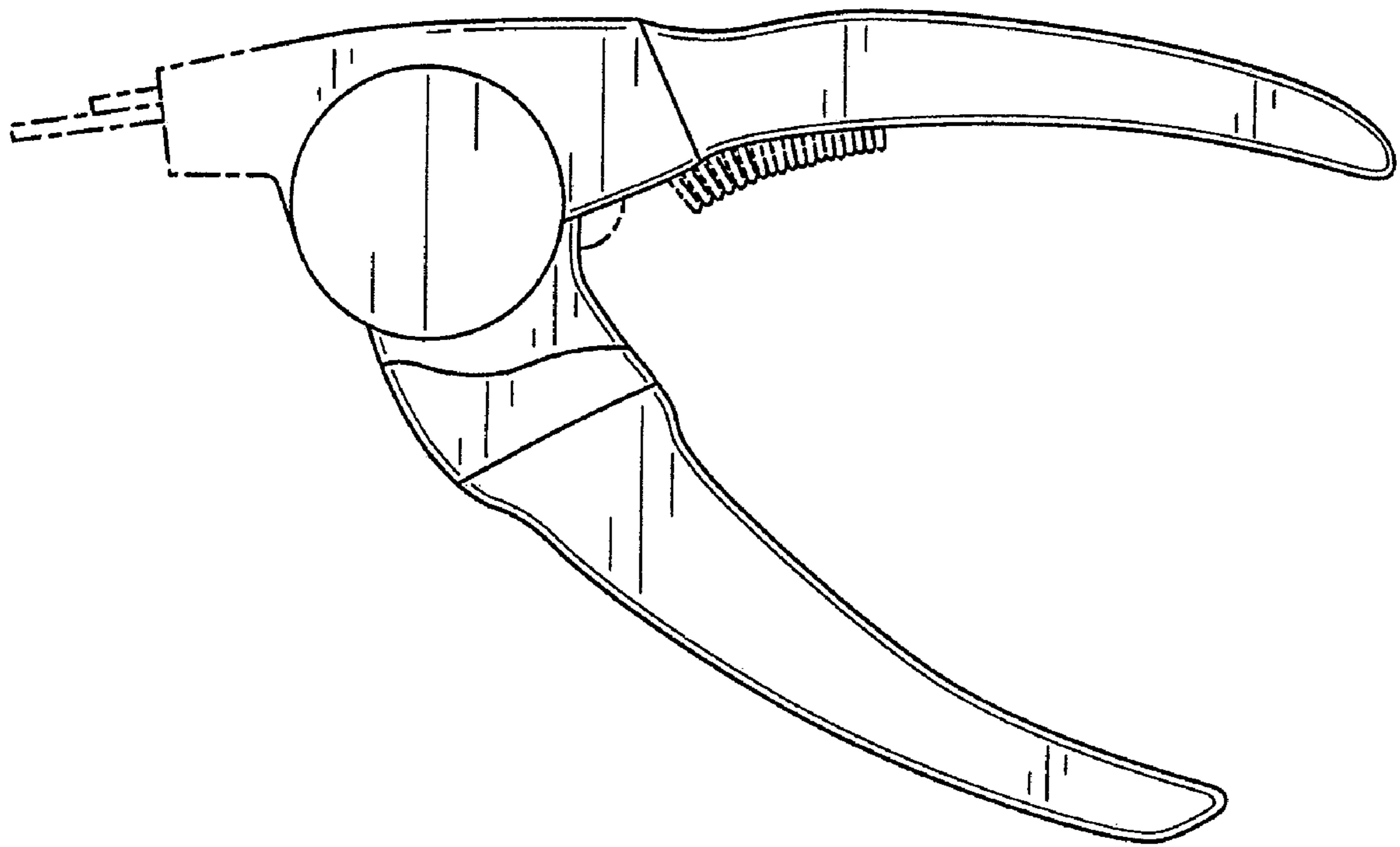


FIG. 5

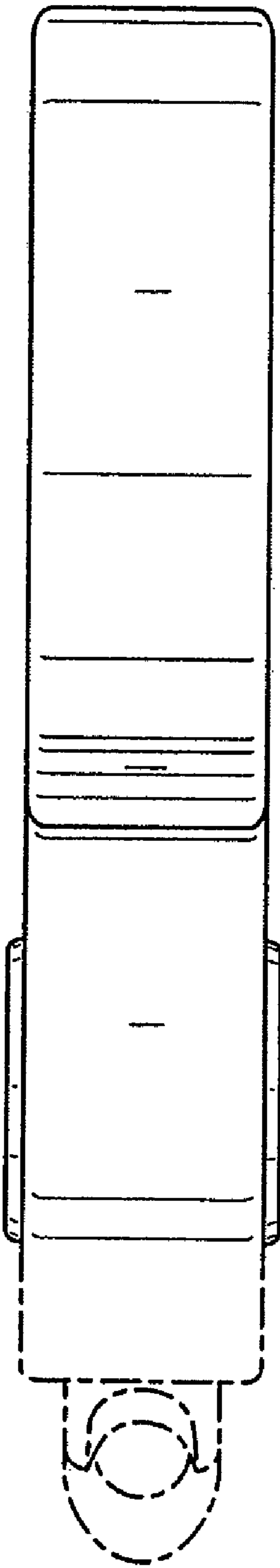


FIG. 6

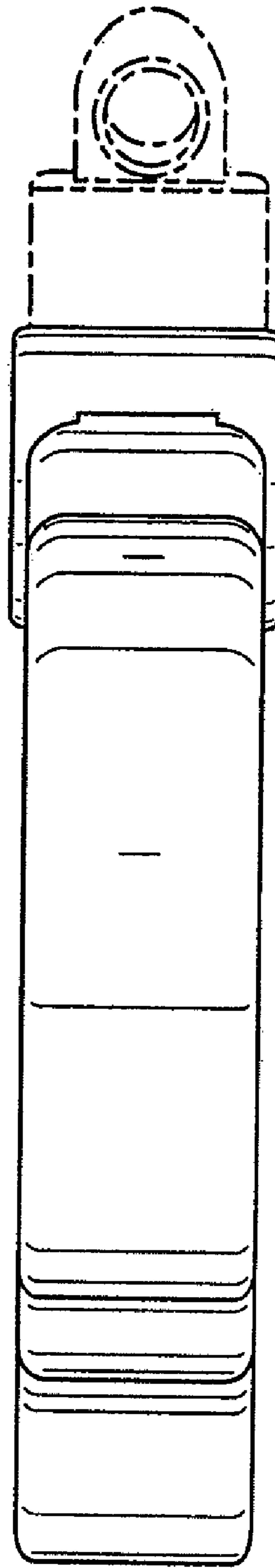


FIG. 7