



US00D603109S

(12) **United States Design Patent**
Kim

(10) **Patent No.:** **US D603,109 S**
(45) **Date of Patent:** **** Oct. 27, 2009**

(54) **PET DRYING MACHINE**

(75) Inventor: **Sunman Kim**, Shiheung (KR)

(73) Assignee: **Kokos International Trach, Inc.**,
Broomall, PA (US)

(**) Term: **14 Years**

(21) Appl. No.: **29/302,981**

(22) Filed: **Jan. 29, 2008**

(51) **LOC (9) Cl.** **30-99**

(52) **U.S. Cl.** **D30/158; D30/199**

(58) **Field of Classification Search** **D30/158,**
D30/199; 119/678, 174, 677; 43/127; 34/202,
34/201, 90, 93

See application file for complete search history.

(56) **References Cited**

U.S. PATENT DOCUMENTS

1,234,111	A *	7/1917	Alderson	119/678
1,335,629	A *	3/1920	Woudema	119/678
1,714,635	A *	5/1929	Schafer	119/678
3,596,636	A *	8/1971	Stobaugh	119/174
4,184,454	A *	1/1980	Nagao	119/678
5,025,572	A *	6/1991	Cordier	34/202
5,431,129	A *	7/1995	Clark	119/468

* cited by examiner

Primary Examiner—Susan M Lee

(74) *Attorney, Agent, or Firm*—IPLA P.A.; James E. Bame

(57) **CLAIM**

The ornamental design for a pet drying machine, as shown and described.

DESCRIPTION

FIG. 1 is a perspective view of a first embodiment showing my new design;

FIG. 2 is another perspective view of the first embodiment showing my new design;

FIG. 3 is still another perspective view of the first embodiment showing my new design;

FIG. 4 is a front elevational view of the first embodiment;

FIG. 5 is a perspective view of a second embodiment showing my new design;

FIG. 6 is another perspective view of the second embodiment showing my new design;

FIG. 7 is still another perspective view of the second embodiment showing my new design; and,

FIG. 8 is a front elevational view of the second embodiment.

The broken line matter throughout the drawings is not claimed.

1 Claim, 8 Drawing Sheets

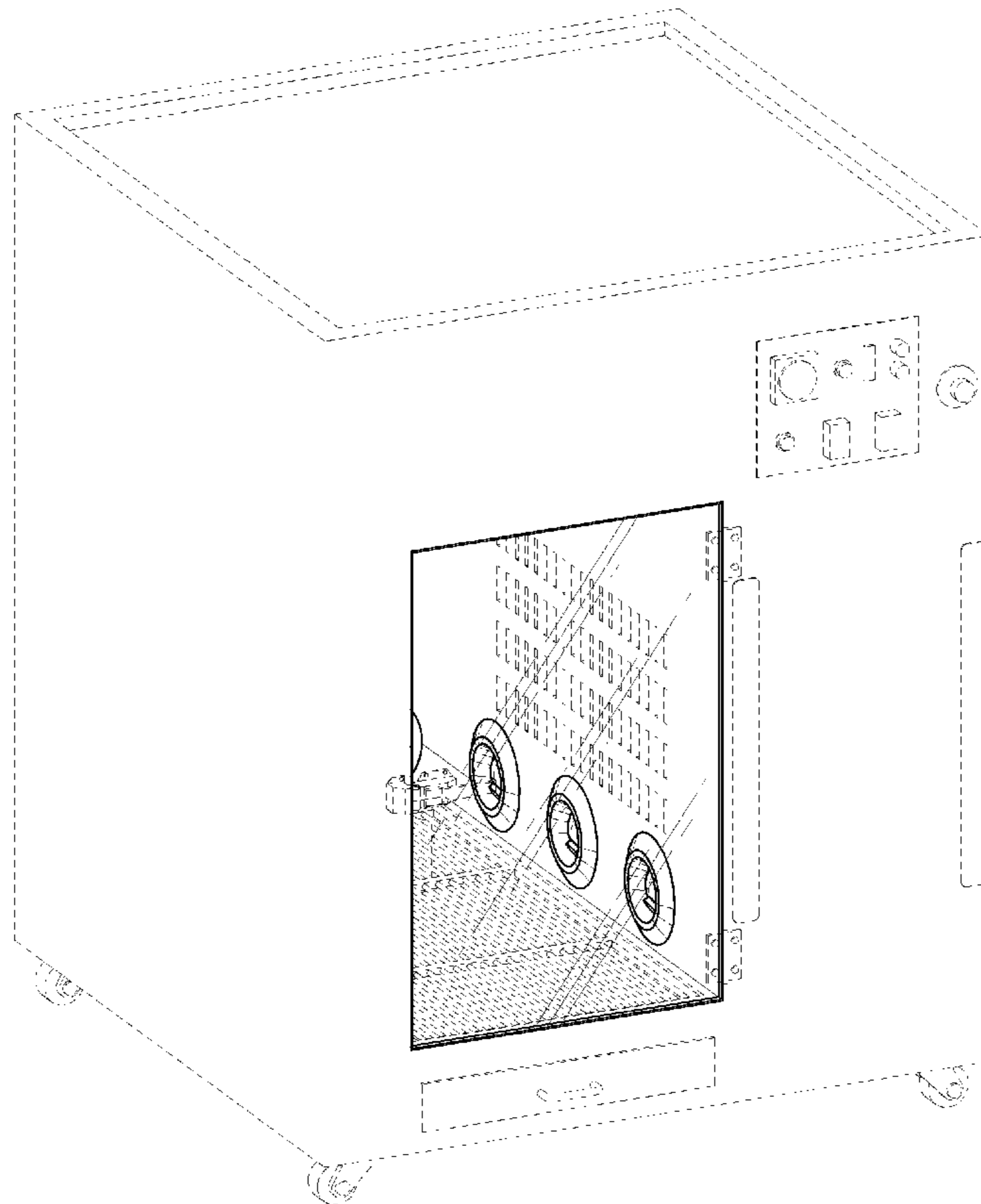


FIG. 1

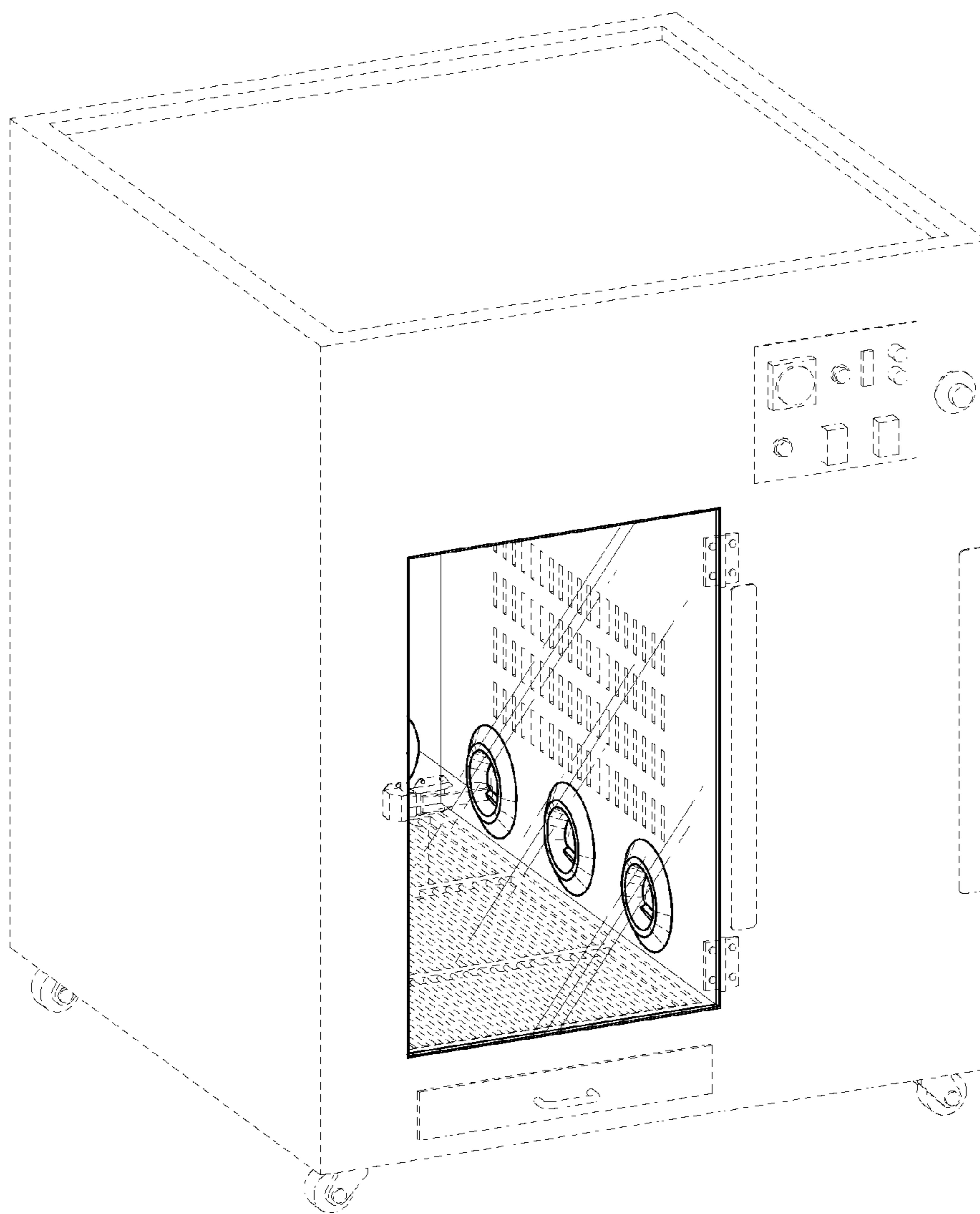


FIG. 2

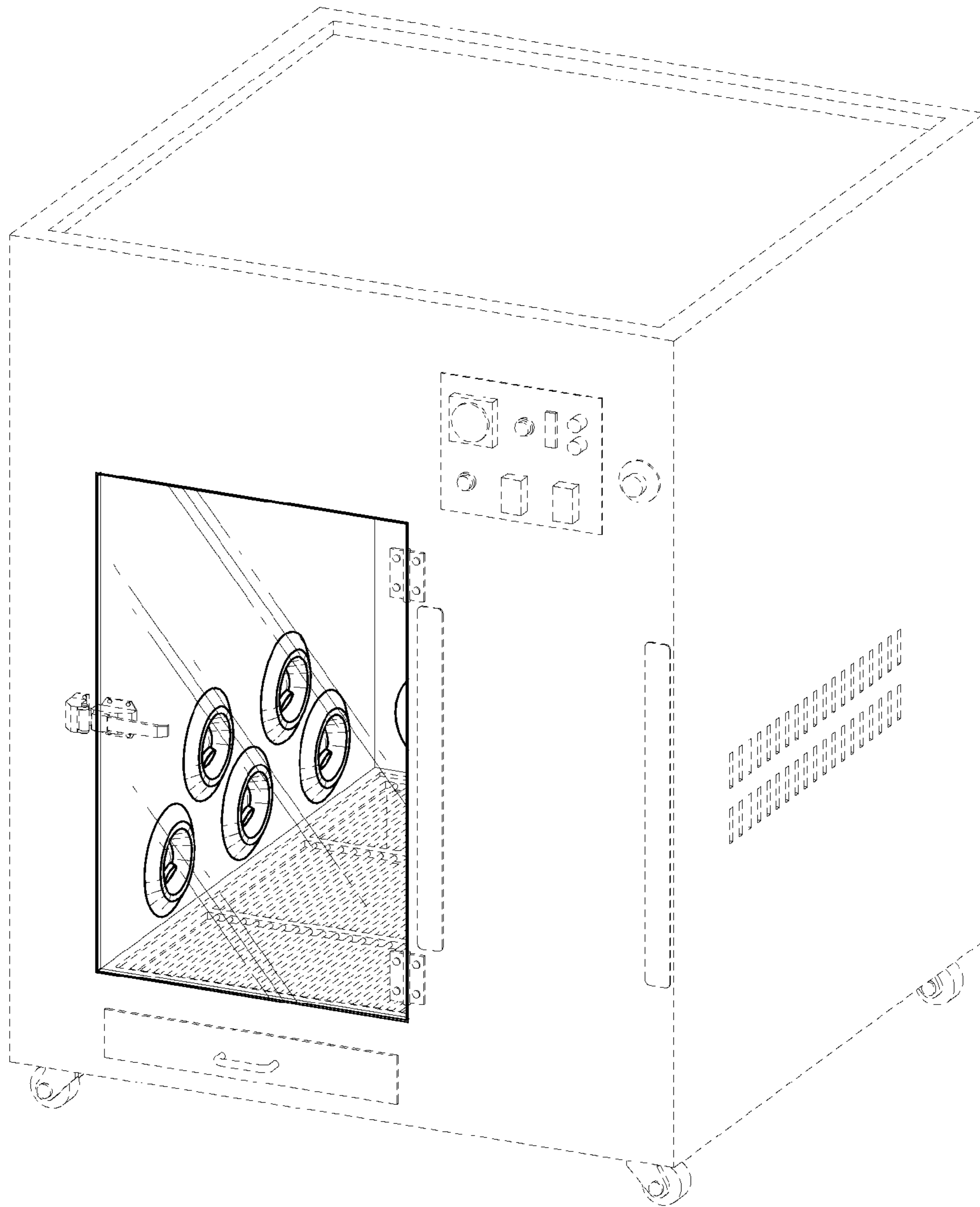


FIG. 3

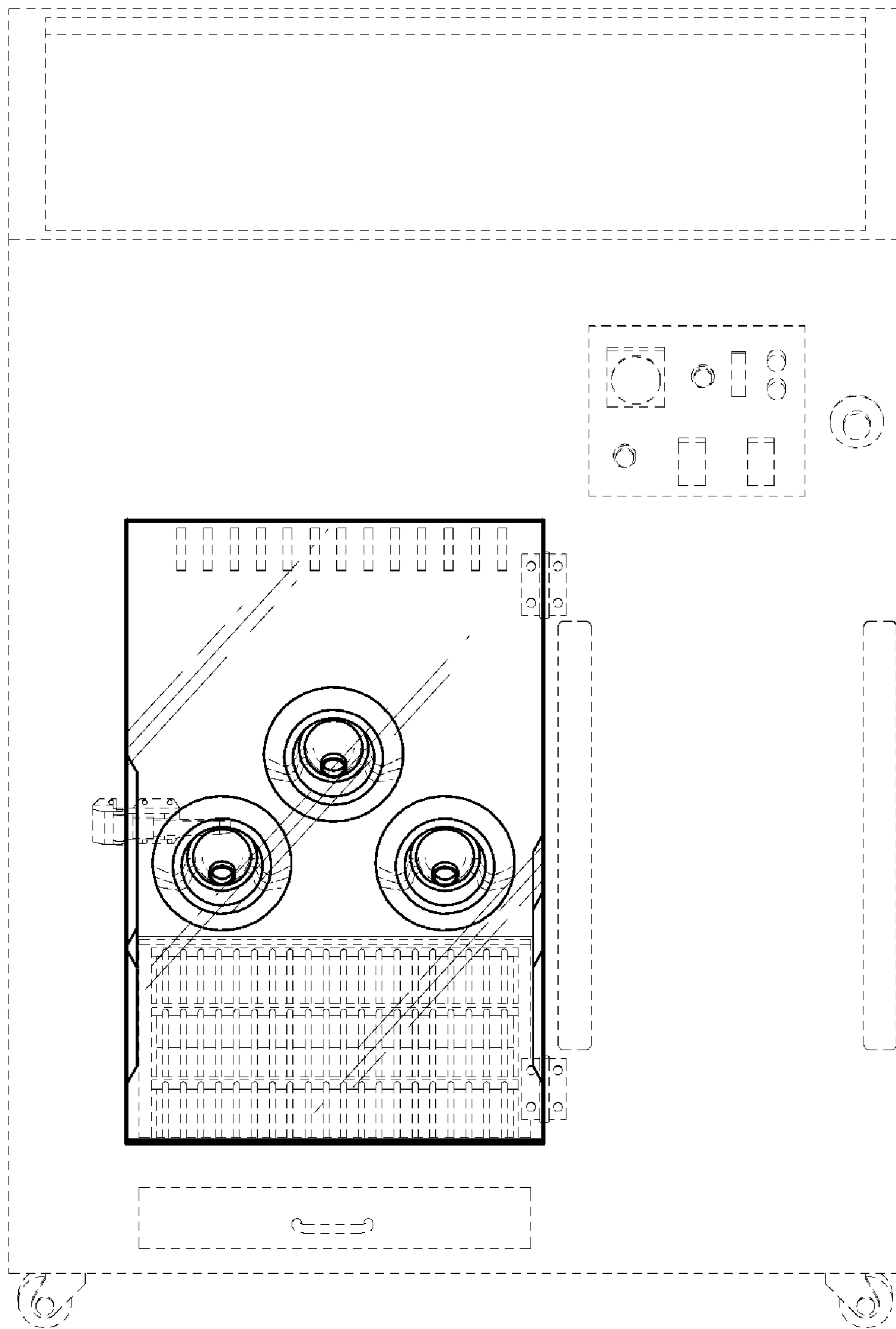


FIG. 4

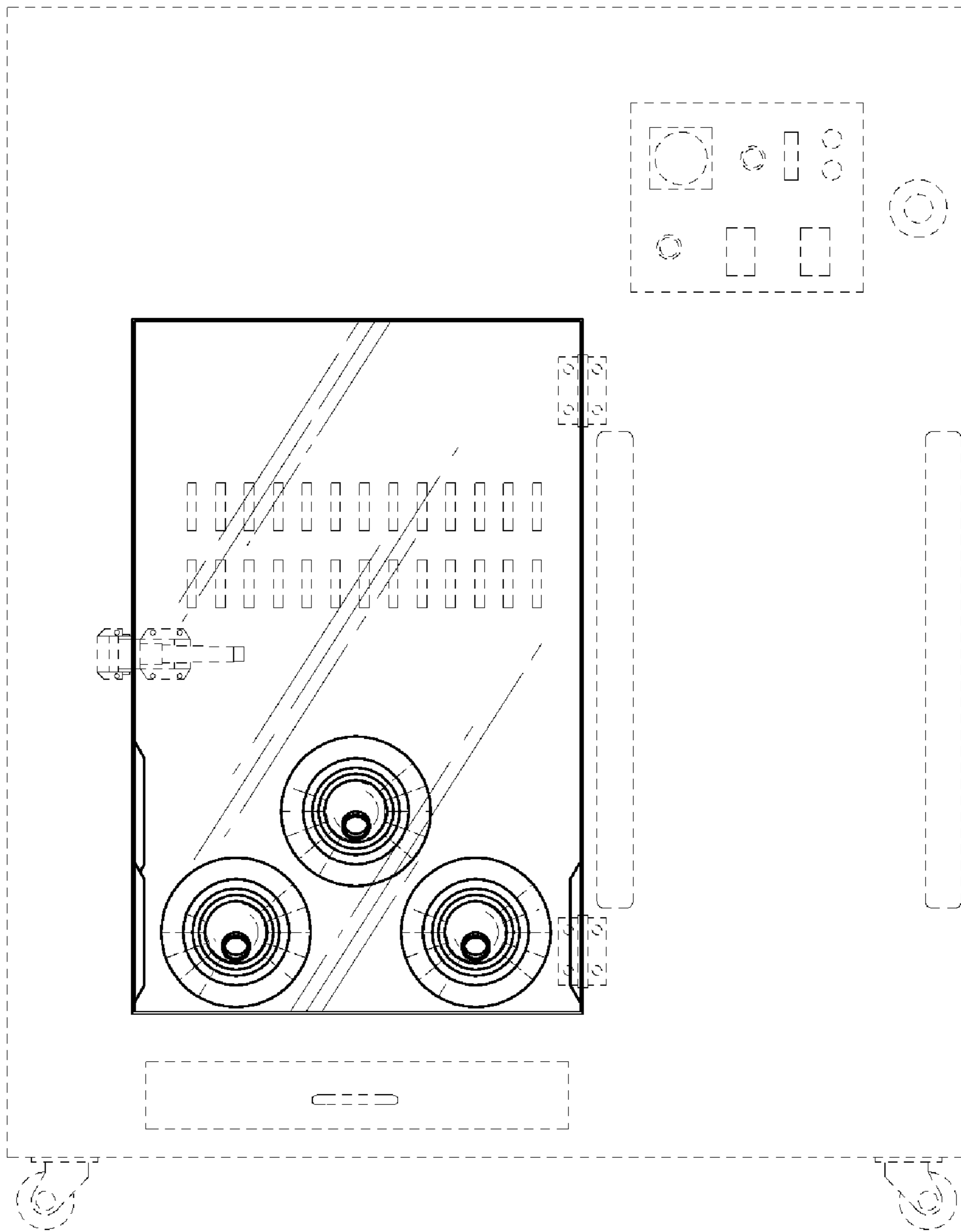


FIG. 5

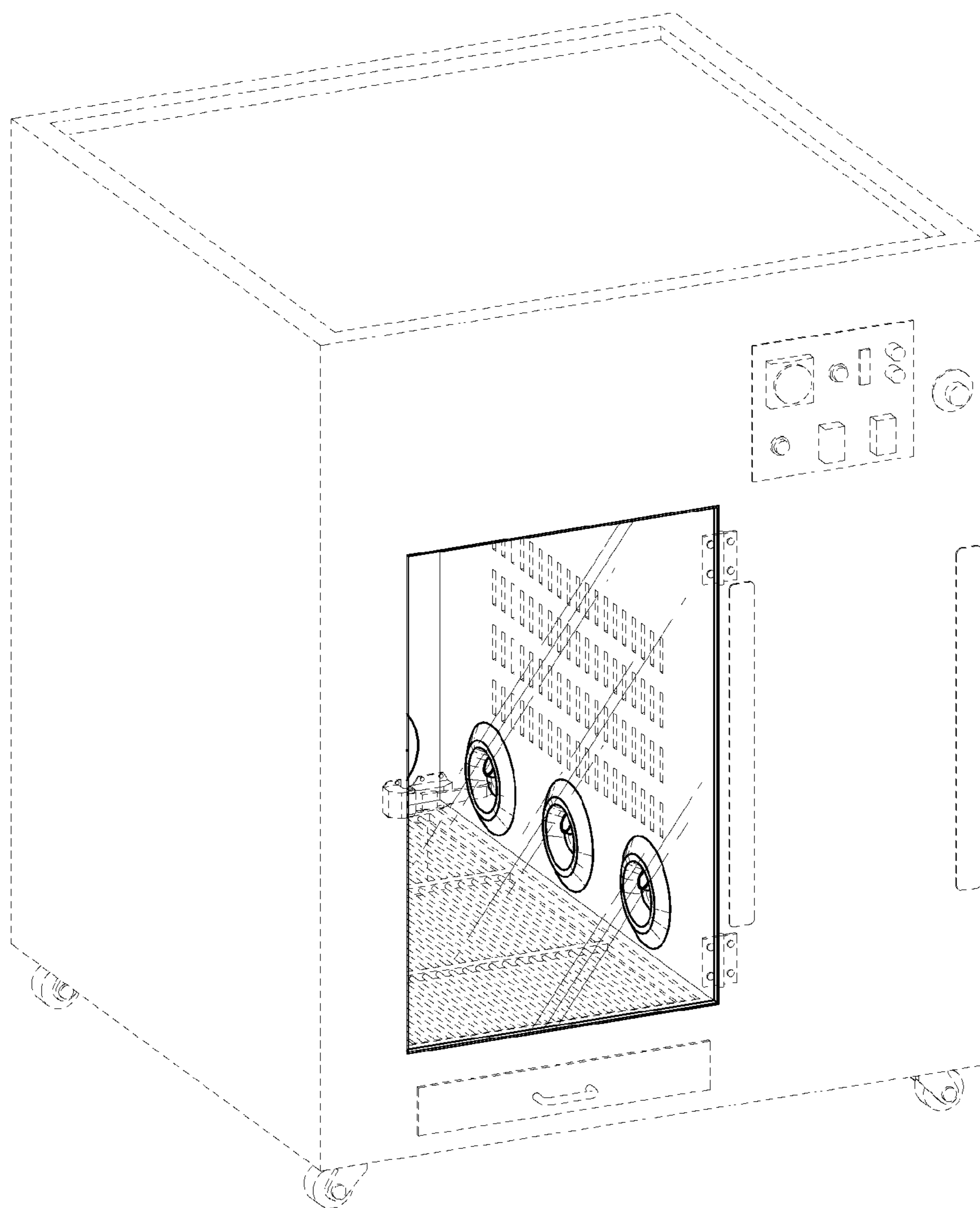


FIG. 6

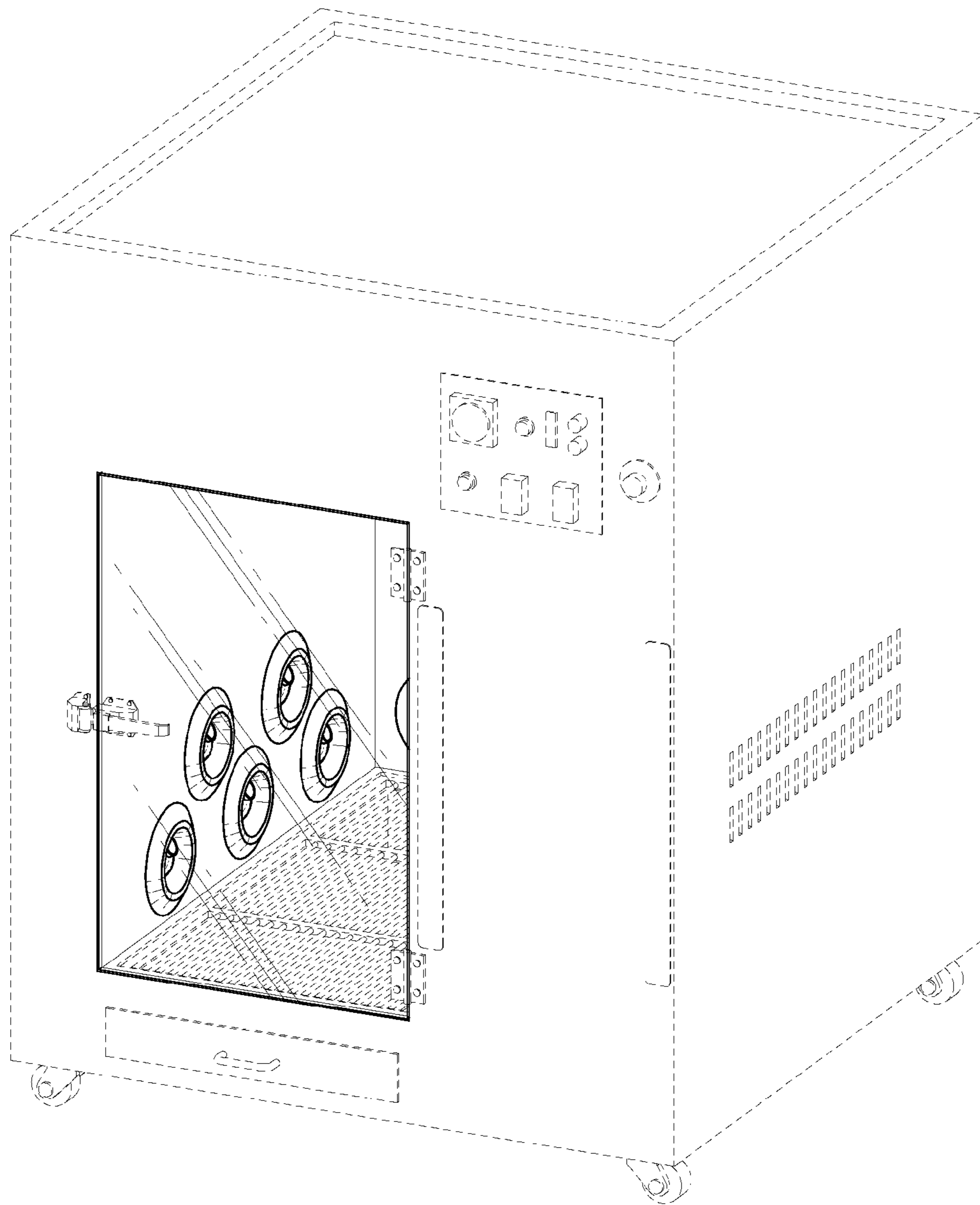


FIG. 7

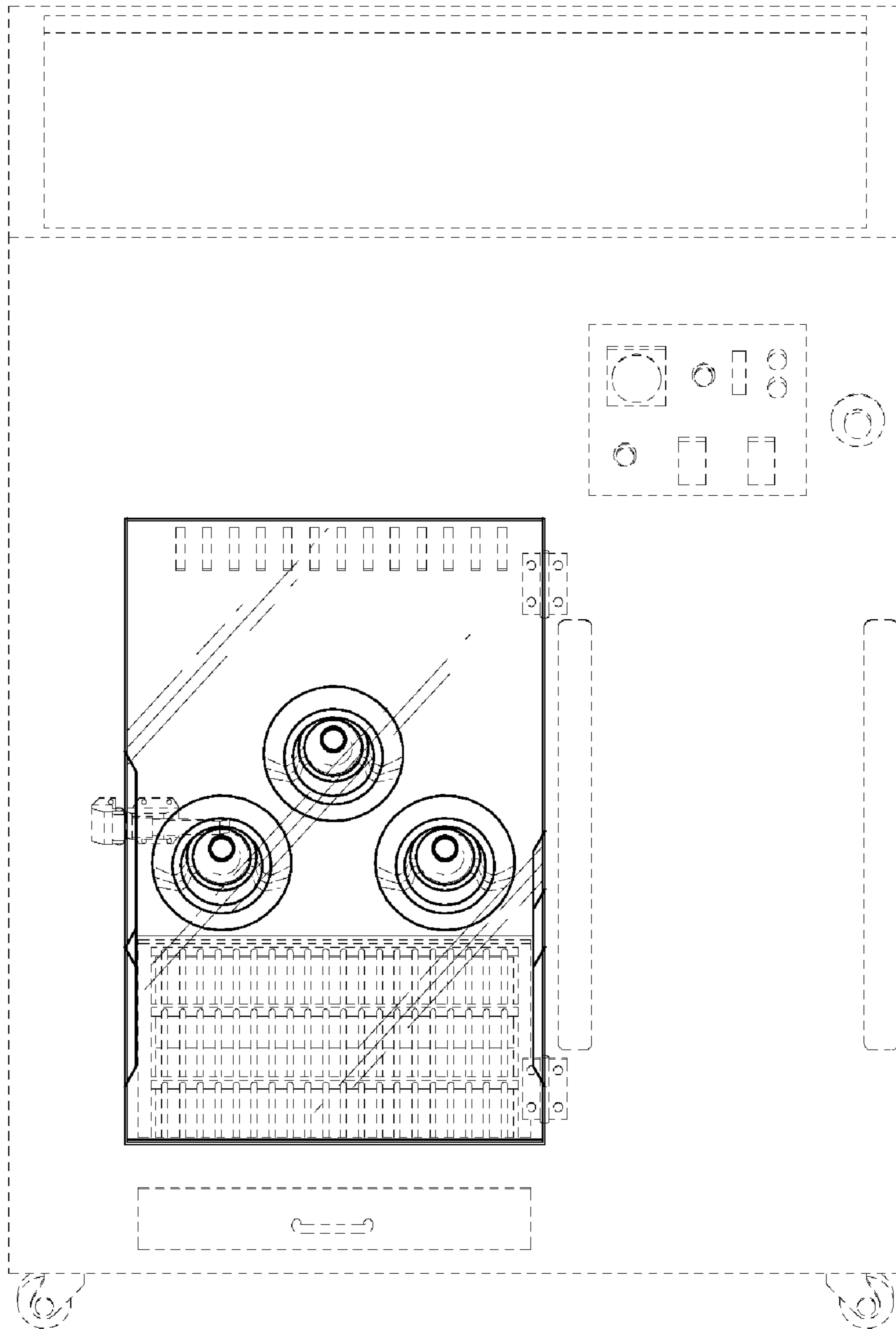


FIG. 8

