

US00D603105S

(12) **United States Design Patent**
Meritt

(10) **Patent No.:** **US D603,105 S**
(45) **Date of Patent:** **** Oct. 27, 2009**

(54) **ANIMAL FEEDER**

(75) Inventor: **Rick Meritt**, Gilmer, TX (US)

(73) Assignee: **Rick Meritt Investments, Ltd.**, Gilmer, TX (US)

(**) Term: **14 Years**

(21) Appl. No.: **29/296,692**

(22) Filed: **Oct. 25, 2007**

Related U.S. Application Data

(63) Continuation of application No. 11/160,611, filed on Jun. 30, 2005, which is a continuation-in-part of application No. 09/920,231, filed on Aug. 1, 2001, now Pat. No. 6,920,841.

(51) **LOC (9) Cl.** **30-03**

(52) **U.S. Cl.** **D30/121**

(58) **Field of Classification Search** D30/133, D30/121, 122, 124, 127, 128, 132; 119/51.01, 119/61, 51.04, 53, 57.91, 54, 53.5, 52.4, 119/51.11, 63, 61.2, 52.1, 57.5, 57.6, 51.13, 119/62, 75, 500, 501; 239/7, 687, 379, 397.5; 222/199, 181.1, 181.2, 185.1, 557, 156, 485, 222/486, 548, 555; 220/200, 227, 247, 262; 221/174, 185.1, 289, 295, 296, 559; 454/35; 209/270, 283, 244; 52/194, 192; 49/279, 49/344, 357; D34/28

See application file for complete search history.

(56) **References Cited**

U.S. PATENT DOCUMENTS

485,142 A 10/1892 Stephens

(Continued)

FOREIGN PATENT DOCUMENTS

GB 2129266 A 5/1984

OTHER PUBLICATIONS

Advertisement (Rick Meritt; Outback Wildlife Feeders); The Journal of the Texas Trophy Hunters, Sep./Oct. 2007, vol. 32, No. 5 (3pp).

(Continued)

Primary Examiner—Susan Moon Lee

(74) *Attorney, Agent, or Firm*—Gardere Wynne Sewell, LLP

(57) **CLAIM**

The ornamental design for an animal feeder, as shown and described.

DESCRIPTION

FIG. 1 is a perspective view of one preferred embodiment of an animal feeder according to my new design;

FIG. 2 is front elevation view of the animal feeder shown in FIG. 1;

FIG. 3 is a rear elevation view of the animal feeder shown in FIG. 1;

FIG. 4 is a right side elevation view of the animal feeder shown in FIG. 1;

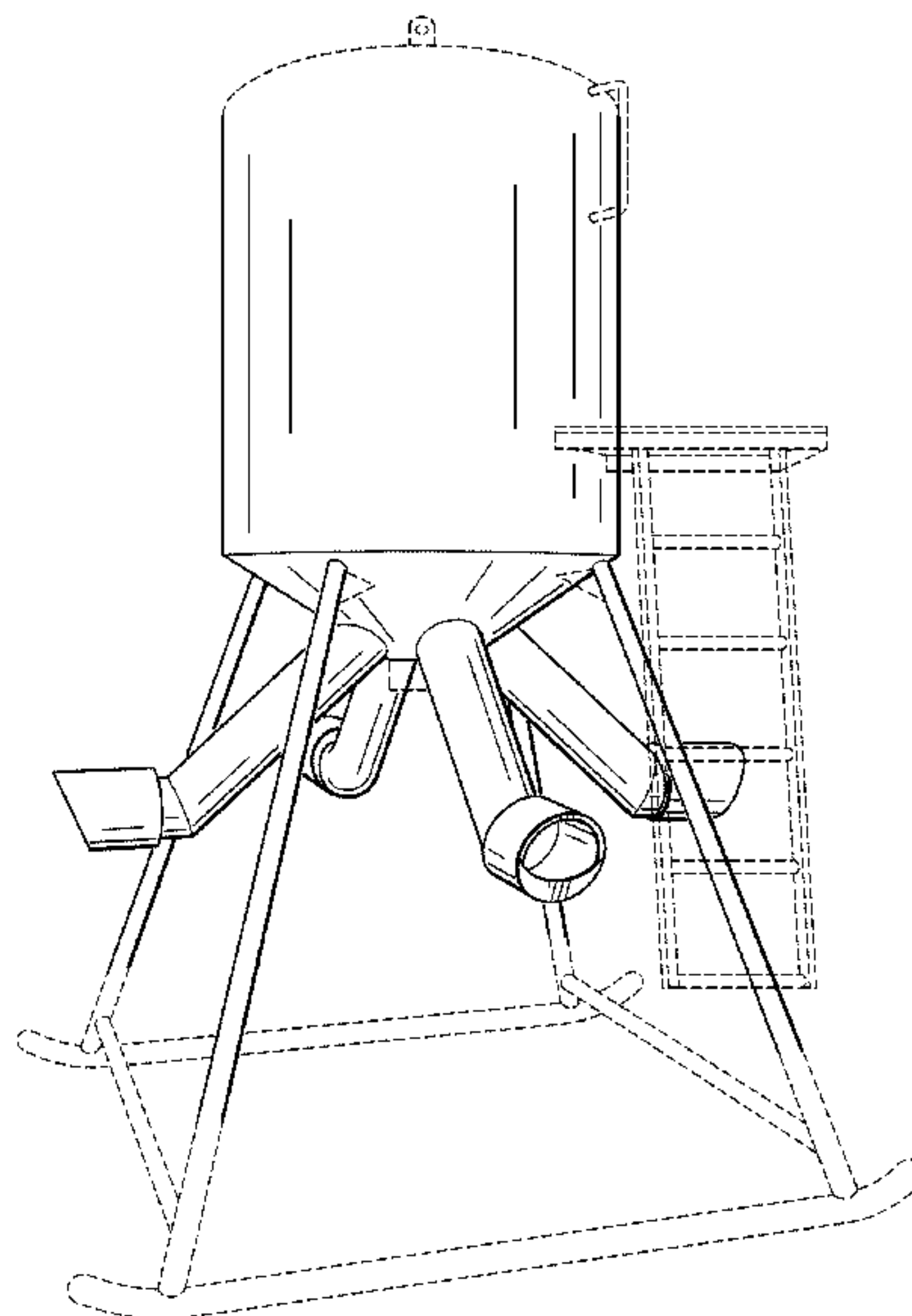
FIG. 5 is a left side elevation view of the animal feeder shown in FIG. 1;

FIG. 6 is a top plan view of the animal feeder shown in FIG. 1; and,

FIG. 7 is a bottom plan view of the animal feeder shown in FIG. 1.

The broken line showing on the top of the feeder represents the unclaimed top surface and the unclaimed edge where the top surface and the side surface of the feeder container meet. All broken line matter shown in the drawings is not claimed.

1 Claim, 7 Drawing Sheets



US D603,105 S

Page 2

U.S. PATENT DOCUMENTS

1,214,881 A	2/1917	Bemtzen	239/66	5,740,757 A	4/1998	Smeester	119/51.02
1,355,399 A	10/1920	George Kelley	119/57.91	D397,527 S	8/1998	Bruder et al.	D30/121
2,454,721 A	11/1948	Severance et al	119/52	5,794,561 A	8/1998	Schulz	119/52.1
2,619,252 A	11/1952	De Hoffmann Felix	220/26	5,862,777 A *	1/1999	Sweeney	119/57.91
2,638,871 A	5/1953	Ruedemann	119/53	5,901,886 A *	5/1999	Grindstaff et al.	222/557
2,654,346 A	10/1953	Goff, John W.	119/81	5,906,174 A	5/1999	Muldoon	119/54
2,808,029 A	10/1957	Geerling	119/53.5	6,073,587 A	6/2000	Hill et al.	119/474
2,886,002 A	5/1959	O'Malley et al.	119/77	6,082,300 A *	7/2000	Futch	119/51.11
2,988,047 A	6/1961	Hurdle	119/52	6,199,509 B1	3/2001	Mostyn et al.	119/51.01
3,034,480 A	5/1962	French	119/56	6,510,813 B1	1/2003	Boone, Jr.	119/57.91
D194,594 S	2/1963	Juculano	D15/8	6,622,653 B1 *	9/2003	Starnes, Jr.	119/51.01
3,515,098 A *	6/1970	Thurmond	119/51.01	D486,946 S *	2/2004	Castro	D30/121
3,730,142 A	5/1973	Kahrs et al.	119/54	6,691,640 B1 *	2/2004	Huckabee	119/51.01
3,780,701 A	12/1973	Wentworth, Sr	119/51 R	6,920,841 B2	7/2005	Meritt	119/51.01
4,328,880 A	5/1982	Lapeyre	182/93	7,302,912 B2 *	12/2007	Boyer	119/57.91
4,337,728 A *	7/1982	Van Gilst et al.	119/57.4	2005/0229860 A1	10/2005	Meritt	119/53
4,538,548 A *	9/1985	Page	119/52.1	2005/0269367 A1	12/2005	Post	222/185.1
4,580,528 A	4/1986	Kendall	119/53	2006/0048712 A1	3/2006	Boyer	119/57.91
4,601,414 A	7/1986	Lawson	222/564				
4,719,875 A *	1/1988	Van Gilst	119/53.5				
D295,091 S *	4/1988	Swartzendruber	D30/132				
4,815,621 A	3/1989	Bartis	220/1 B				
4,986,220 A *	1/1991	Reneau et al.	119/57.91				
5,069,164 A	12/1991	Wiwi	119/53				
5,086,730 A	2/1992	Figley	119/52.3				
5,195,459 A	3/1993	Ancketill	119/57.9				
5,218,784 A *	6/1993	Pollock	49/279				
5,275,131 A	1/1994	Brake et al.	119/63				
5,339,996 A	8/1994	Dubbert et al.	222/185				
5,435,267 A	7/1995	Patterson	119/52.4				
5,503,090 A	4/1996	Guzan	111/7.2				
D371,228 S	6/1996	Monin	D30/121				
5,570,547 A *	11/1996	Webb et al.	52/194				

OTHER PUBLICATIONS

Advertisement (Rick Meritt; Outback Wildlife Feeders); The Journal of the Texas Trophy Hunters, Jul./ Aug. 2006, vol. 31, No. 4 (3pp).
Advertisement (Rick Meritt; Outback Wildlife Feeders); The Journal of the Texas Trophy Hunters, Sep./Oct. 2005, vol. 30, No. 5 (3pp).
Advertisement (Rick Meritt; Outback Wildlife Feeders); The Journal of the Texas Trophy Hunters, Sep./Oct. 2001, vol. 26, No. 5 (2pp).
Advertisement (Rick Meritt; Outback Wildlife Feeders); The Journal of the Texas Trophy Hunters, Sep./Oct. 2002, vol. 2, No. 5 (2pp).
Advertisement (Rick Meritt; Outback Wildlife Feeders); The Journal of the Texas Trophy Hunters, Sep./Oct. 2003, Vol. 28, No. 5 (2pp).
Advertisement (Rick Meritt; Outback Wildlife Feeders); The Journal of the Texas Trophy Hunters, Sep./Oct. 2004, Vol. 29, No. 5 (2pp).

* cited by examiner

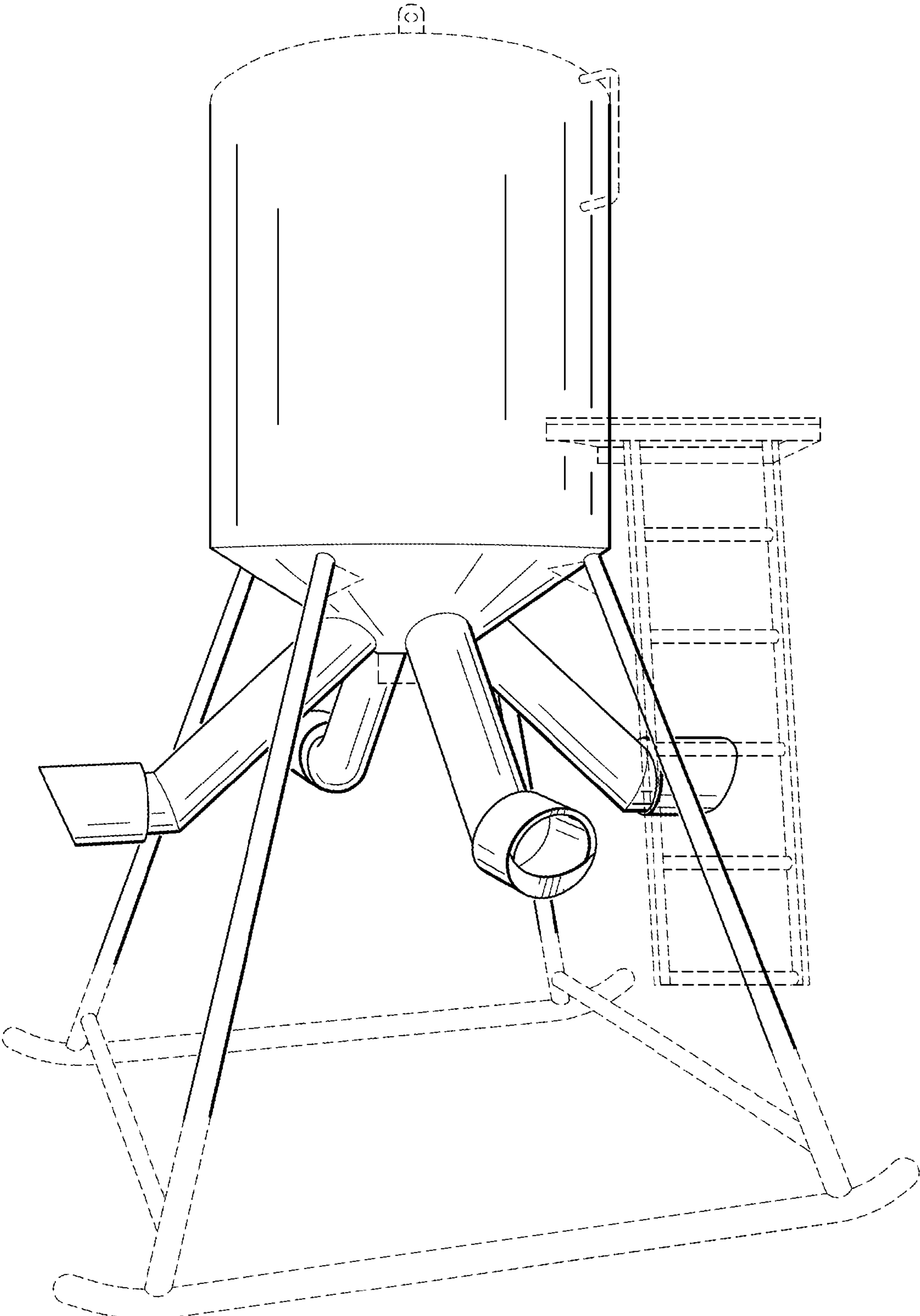


FIG. 1

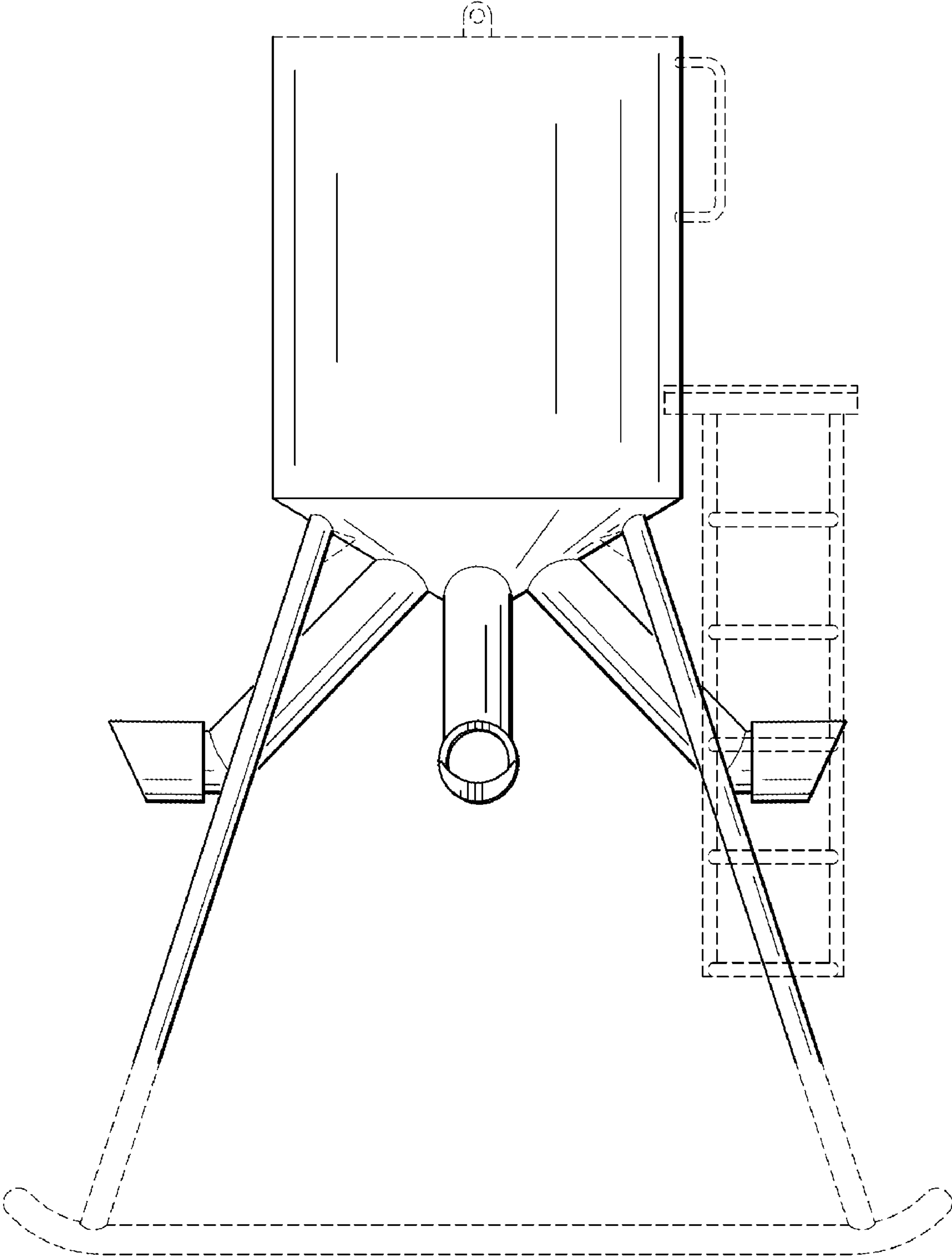


FIG. 2

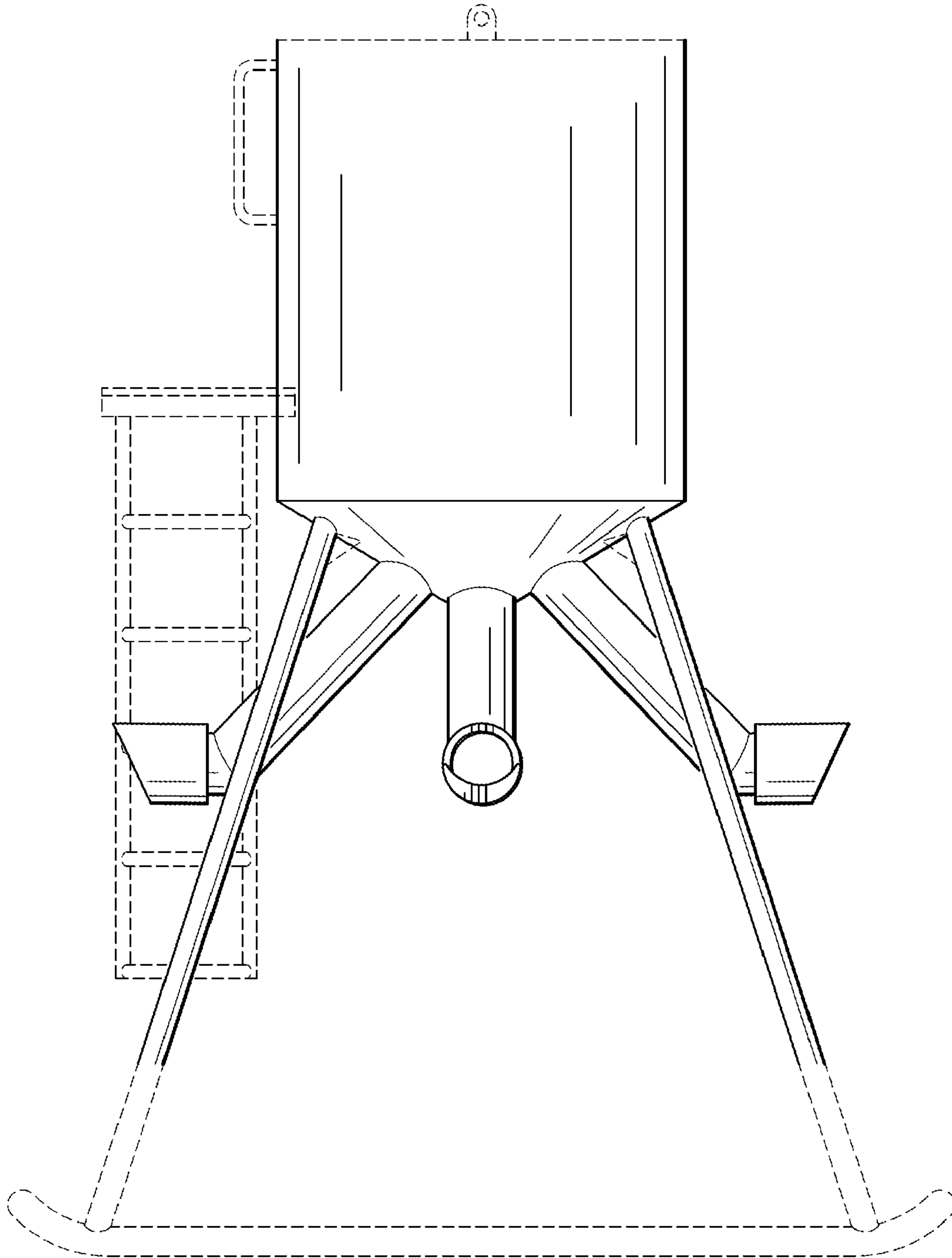


FIG. 3

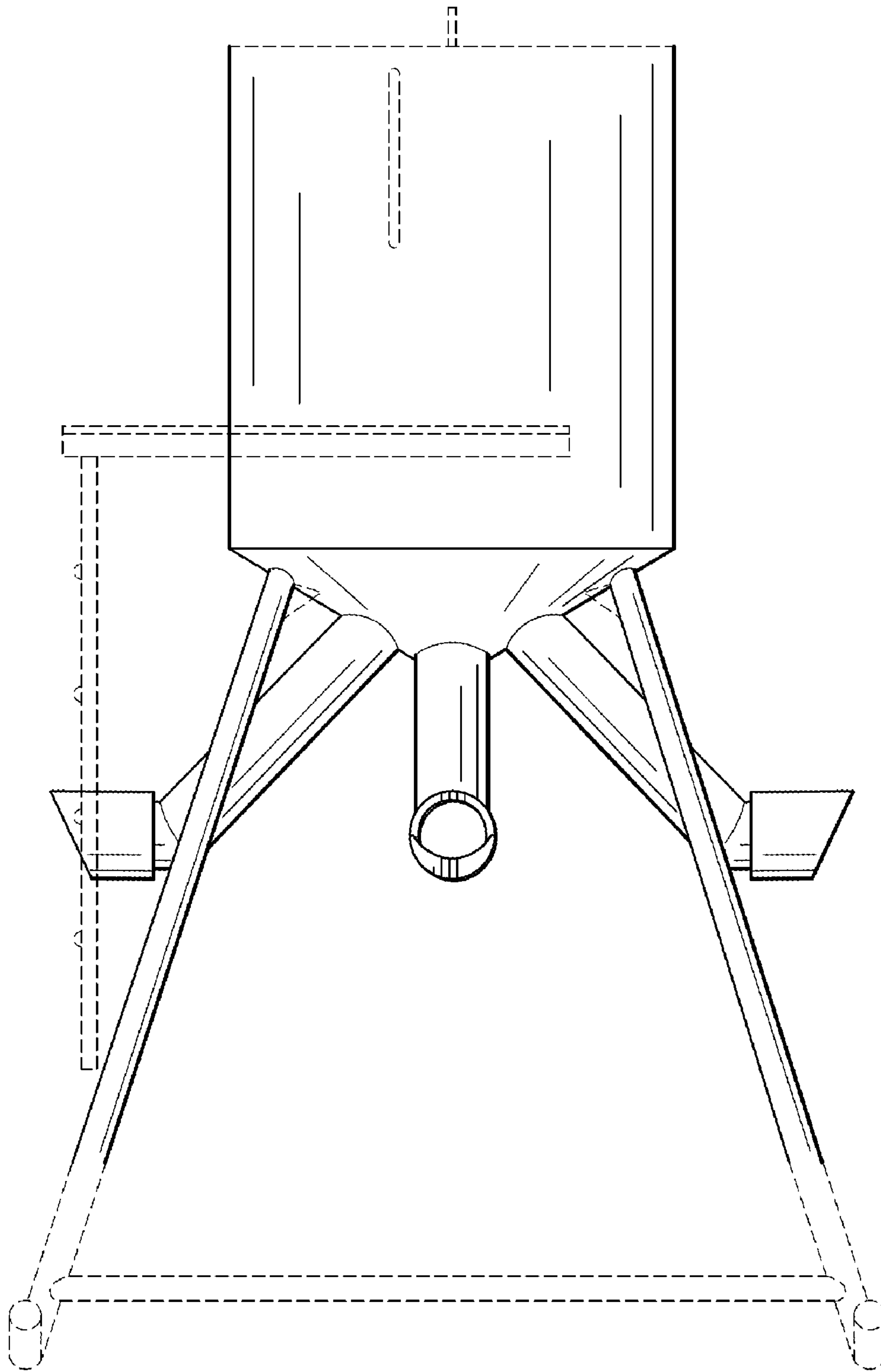


FIG. 4

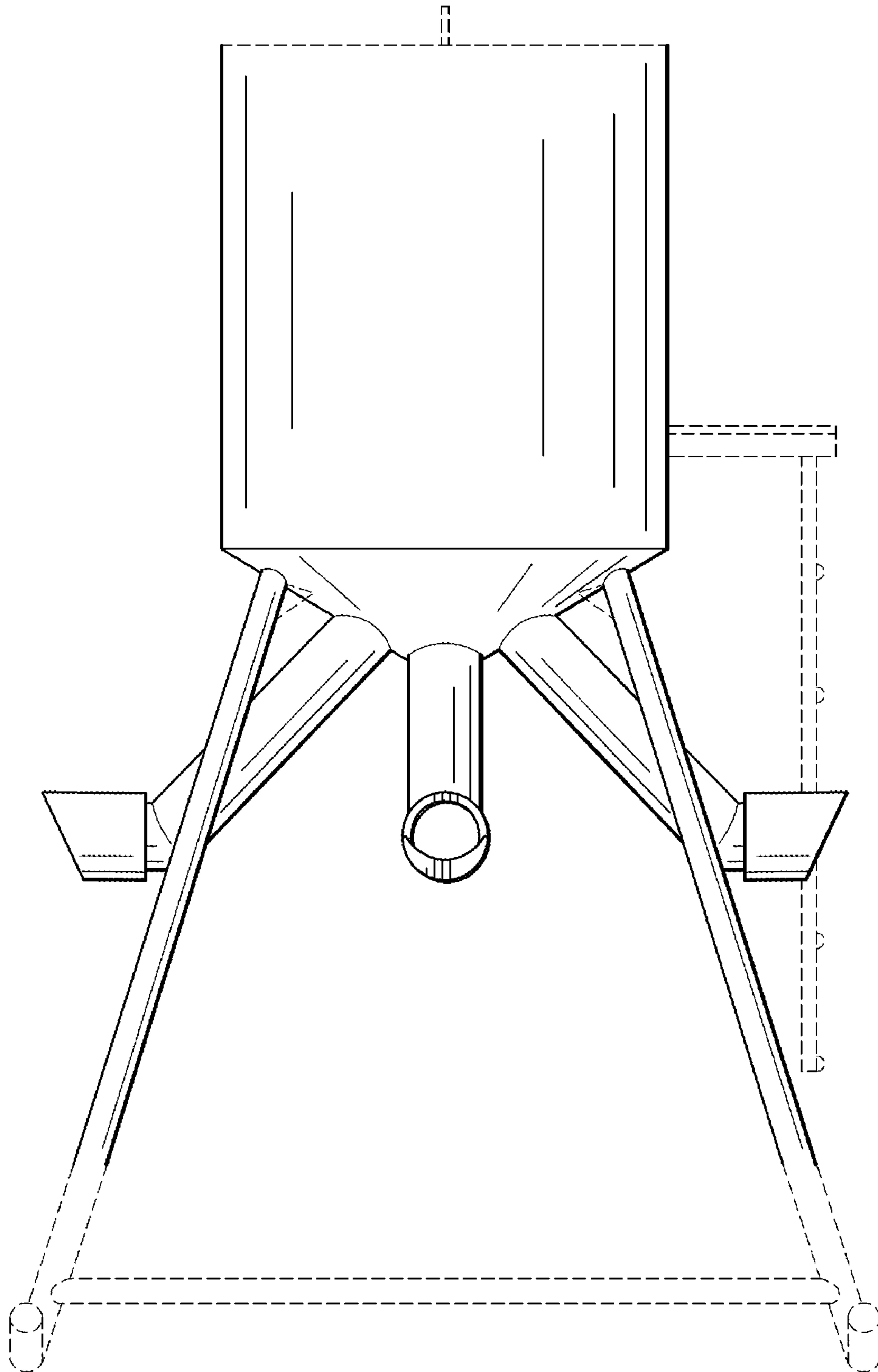


FIG. 5

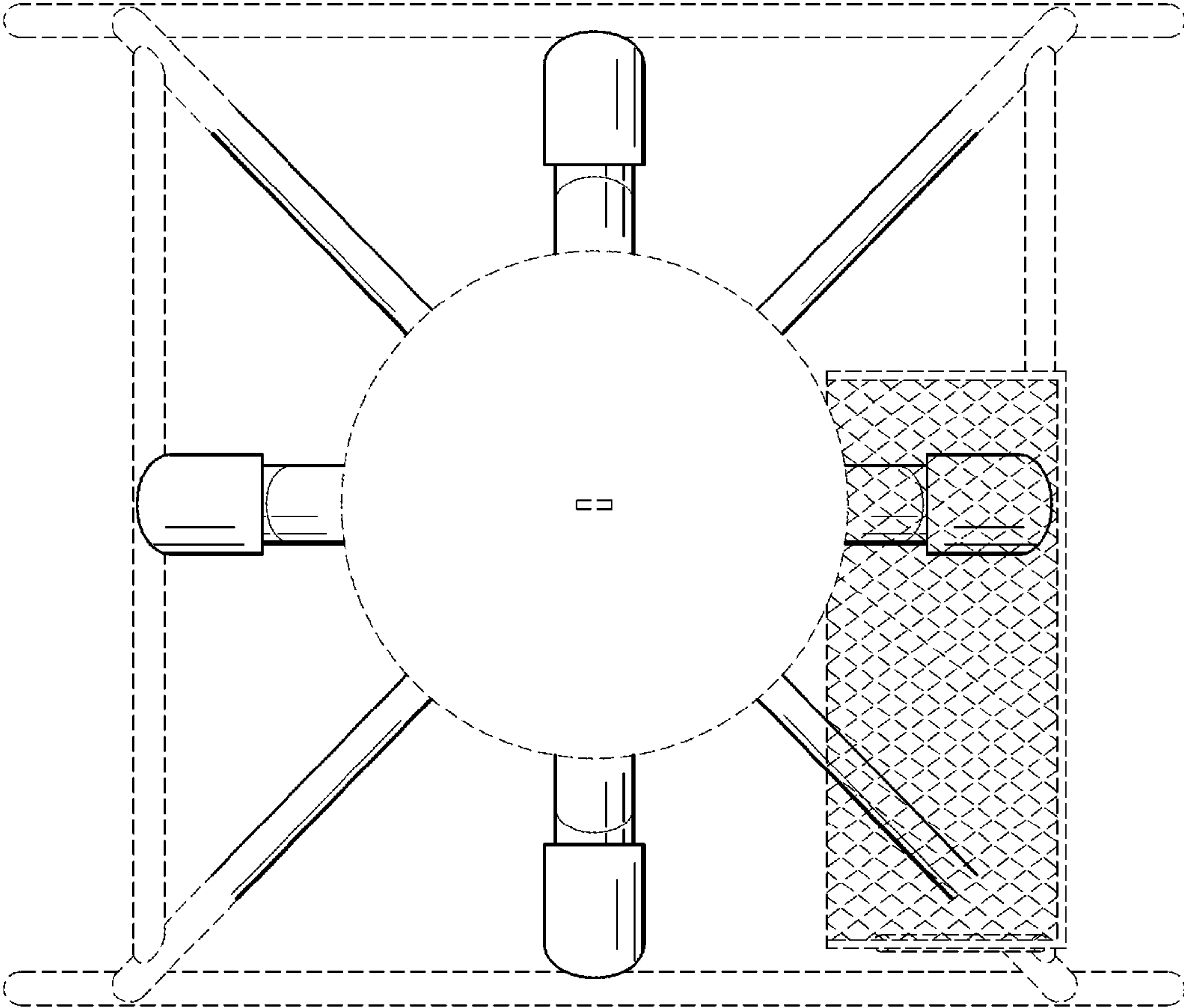


FIG. 6

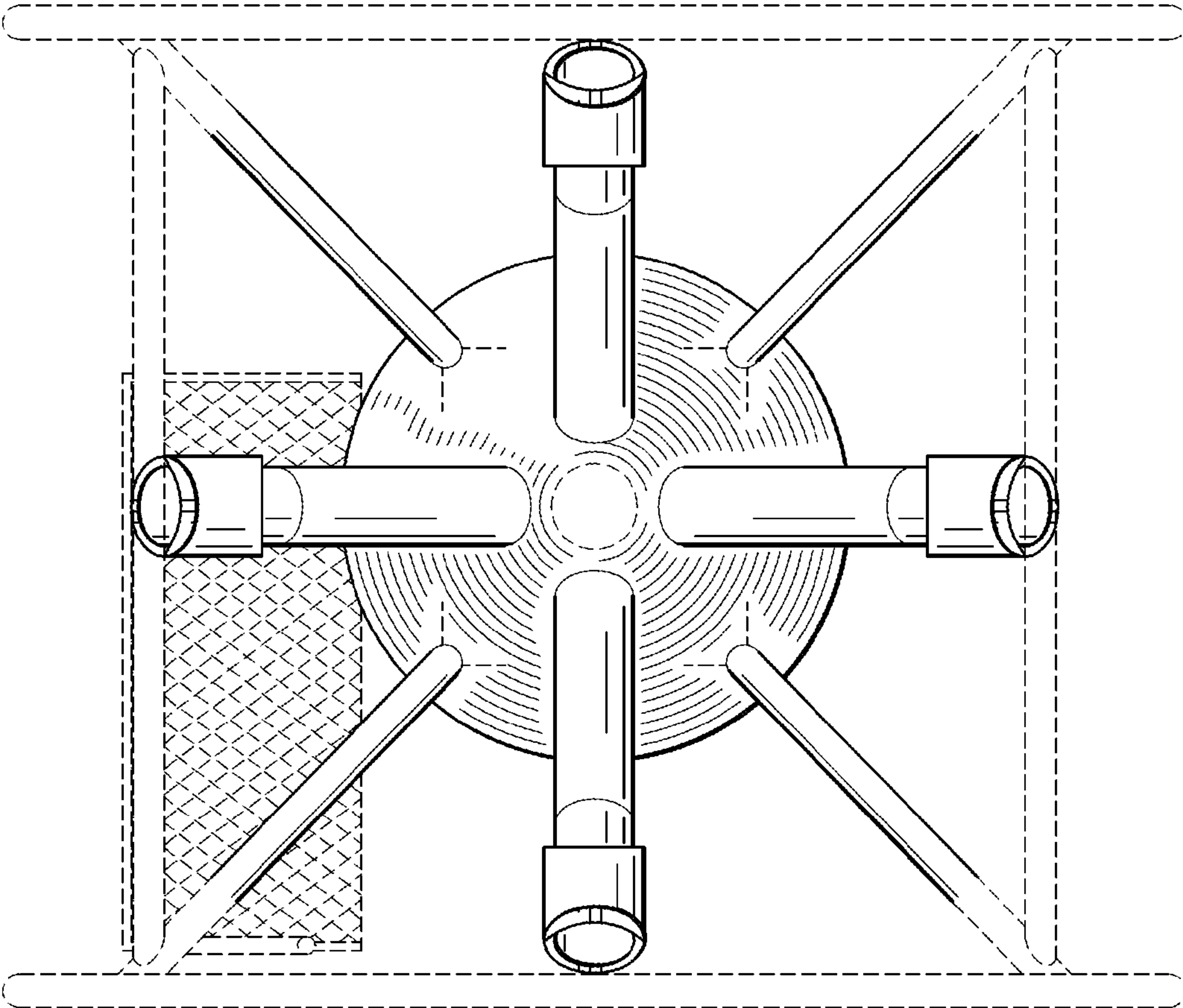


FIG. 7