



US00D603102S

(12) **United States Design Patent**
Polstein et al.

(10) **Patent No.:** **US D603,102 S**
(45) **Date of Patent:** **** Oct. 27, 2009**

(54) **PROTECTIVE FIELDERS FACE GUARD FOR SOFTBALL AND BASEBALL**

(76) Inventors: **Michael Polstein**, 9035 SW. 96 St., Miami, FL (US) 33176; **Matthew Polstein**, 3506 St. Valentine Way, Bldg 8, Orlando, FL (US) 32811; **Jason Polstein**, 3506 St. Valentine Way, Bldg 8, Orlando, FL (US) 33176; **Carole Polstein**, 9035 SW. 96 St., Miami, FL (US) 33176; **Lauren Polstein**, 9035 SW. 96 St., Miami, FL (US) 33176

(**) Term: **14 Years**

(21) Appl. No.: **29/324,003**

(22) Filed: **Sep. 4, 2008**

(51) **LOC (9) Cl.** **29-02**

(52) **U.S. Cl.** **D29/111**

(58) **Field of Classification Search** D29/102-111, D29/122; 2/9, 410-414, 416-425, 209.13, 2/906, DIG. 1, 8.1-8.2, 8.6, 8.7, 171.3, 427, 2/429, 10; 62/3.5, 259.3; 128/204.15, 889, 128/201.24, 201.15, 857-858

See application file for complete search history.

(56) **References Cited**

U.S. PATENT DOCUMENTS

2,502,377	A *	3/1950	Goldsmith et al.	2/9
2,627,602	A *	2/1953	Goldsmith	2/9
D237,843	S *	12/1975	Peterson	D29/111
D238,830	S *	2/1976	Rhee	D29/107
D265,350	S *	7/1982	Davis	D29/111

D349,363	S *	8/1994	Windle	D29/110
D349,978	S *	8/1994	Copeland et al.	D29/111
D351,929	S *	10/1994	Chiasson	D29/111
D373,447	S *	9/1996	Chen	D29/111
D384,441	S *	9/1997	Badger	D29/110
5,699,556	A *	12/1997	Chen	2/9
D412,376	S *	7/1999	Jurga et al.	D29/106
D448,528	S *	9/2001	Fujimoto et al.	D29/111
6,854,128	B1 *	2/2005	Faulk	2/9
D587,408	S *	2/2009	Leonardi	D29/108
D596,805	S *	7/2009	Leonardi	D29/108
2006/0185066	A1 *	8/2006	Page et al.	2/424

* cited by examiner

Primary Examiner—Ruth McInroy

(57) **CLAIM**

The ornamental design for a protective fielders face guard for softball and baseball, as shown and described.

DESCRIPTION

FIG. 1 is a perspective view of a protective fielders face guard for softball and baseball, showing my new design;

FIG. 2 is a front elevational view of the invention;

FIG. 3 is a rear elevational view of the invention;

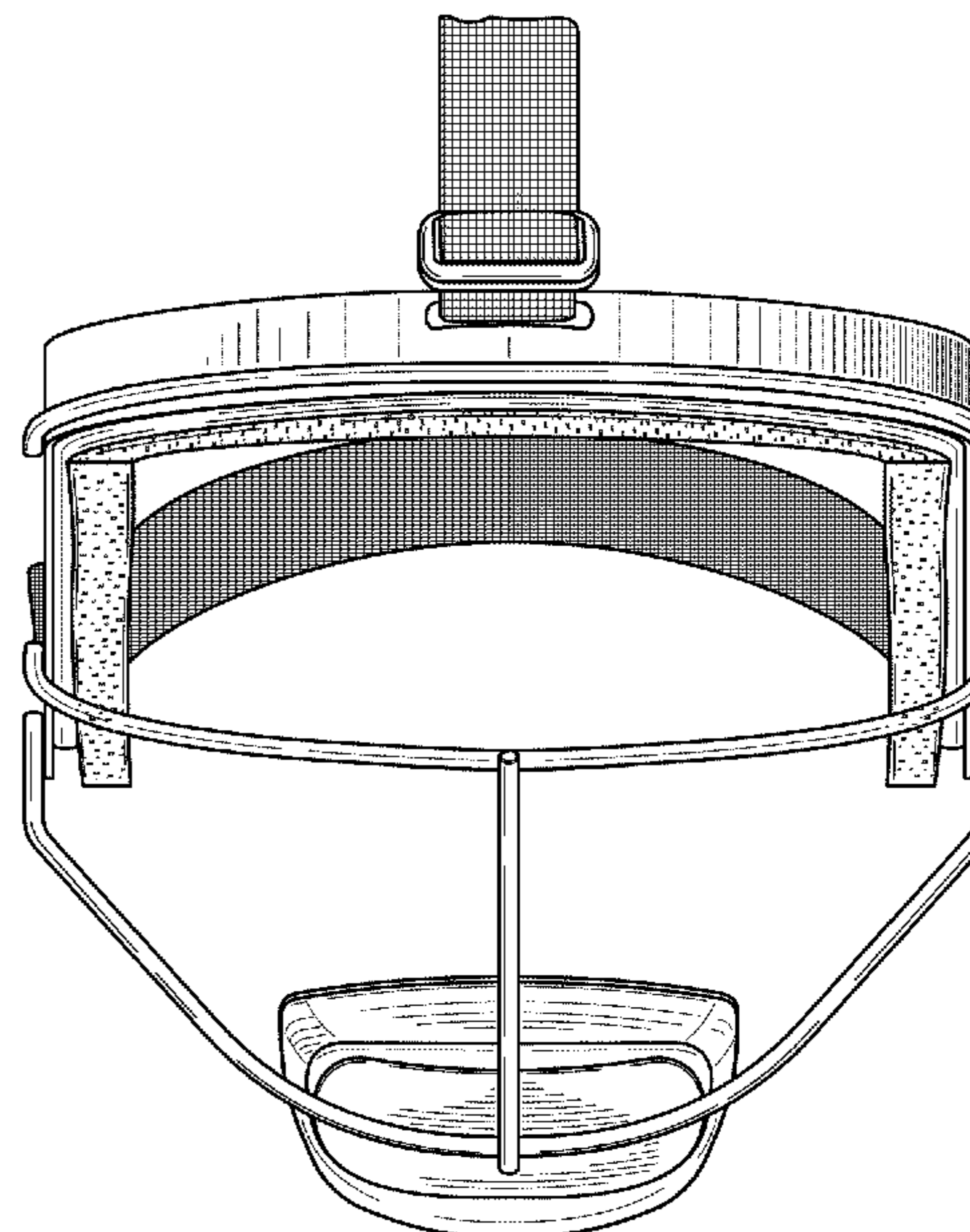
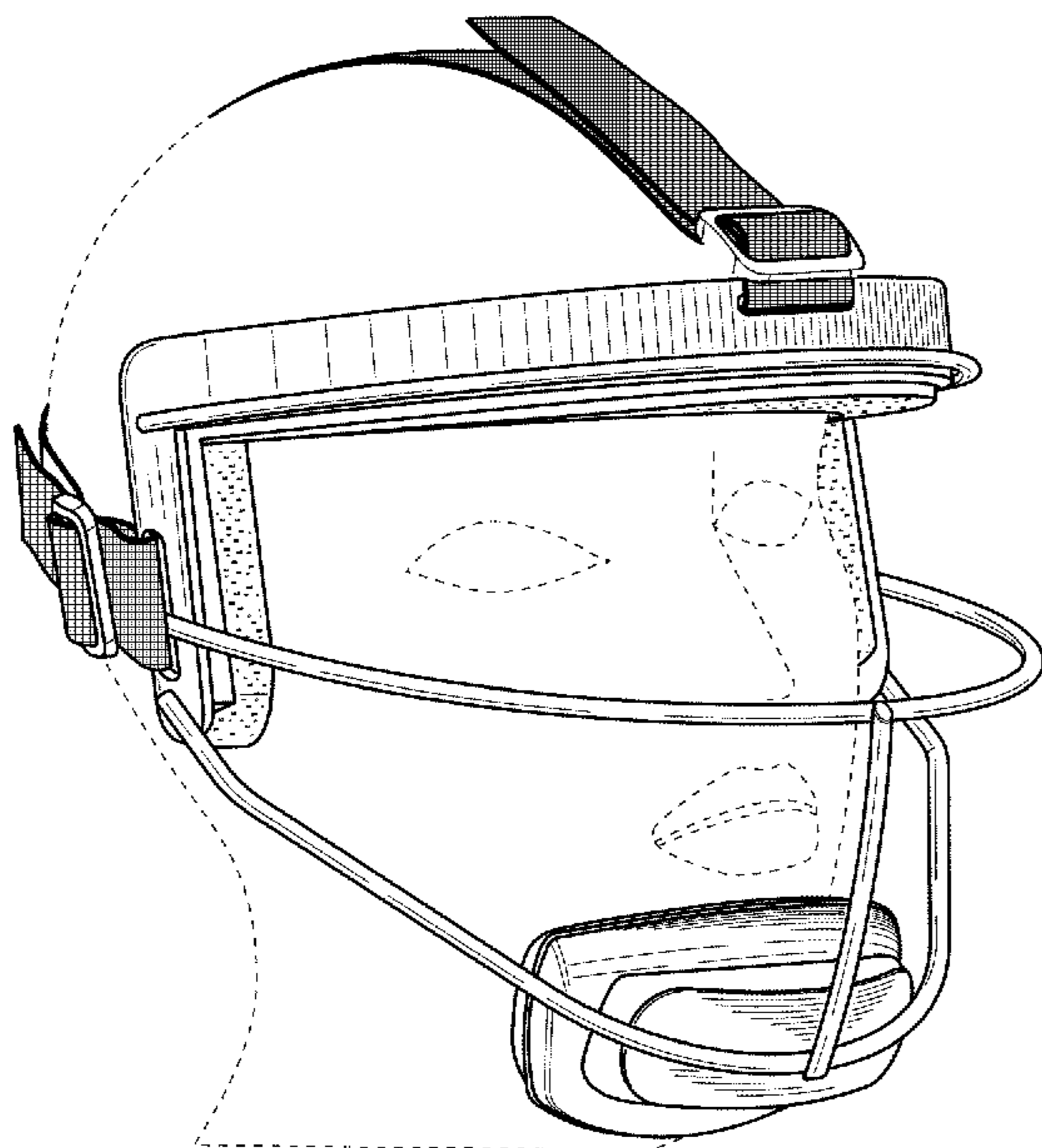
FIG. 4 is a right-side elevational view of the invention, the left-side elevational view being a mirror image thereof;

FIG. 5 is a top plan view of the invention; and,

FIG. 6 is a bottom plan view of the invention.

The broken lines showing a face in FIG. 1 are included for the purpose of illustrating the invention in use, and form no part of the claimed design.

1 Claim, 3 Drawing Sheets



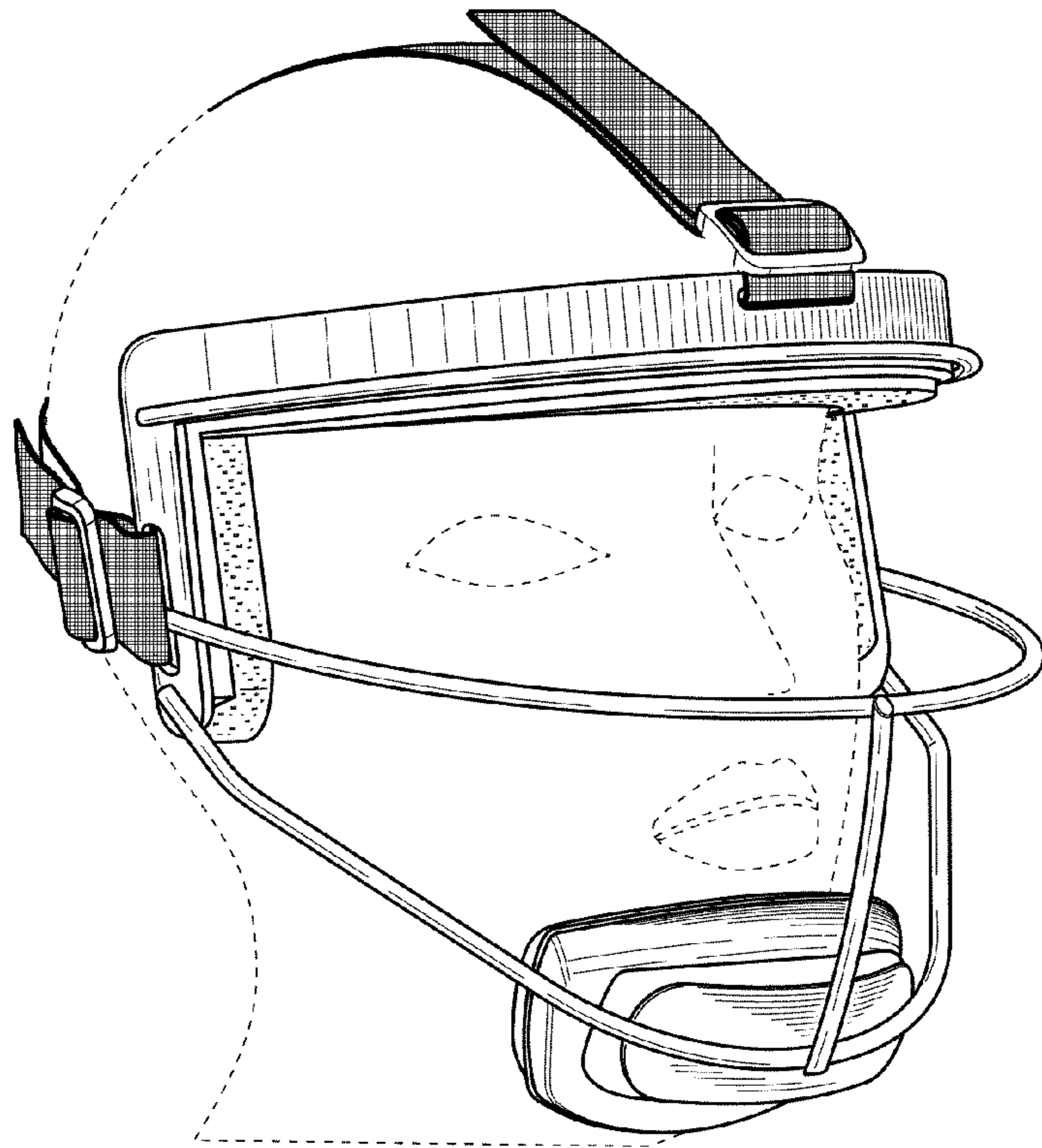


FIG. 1

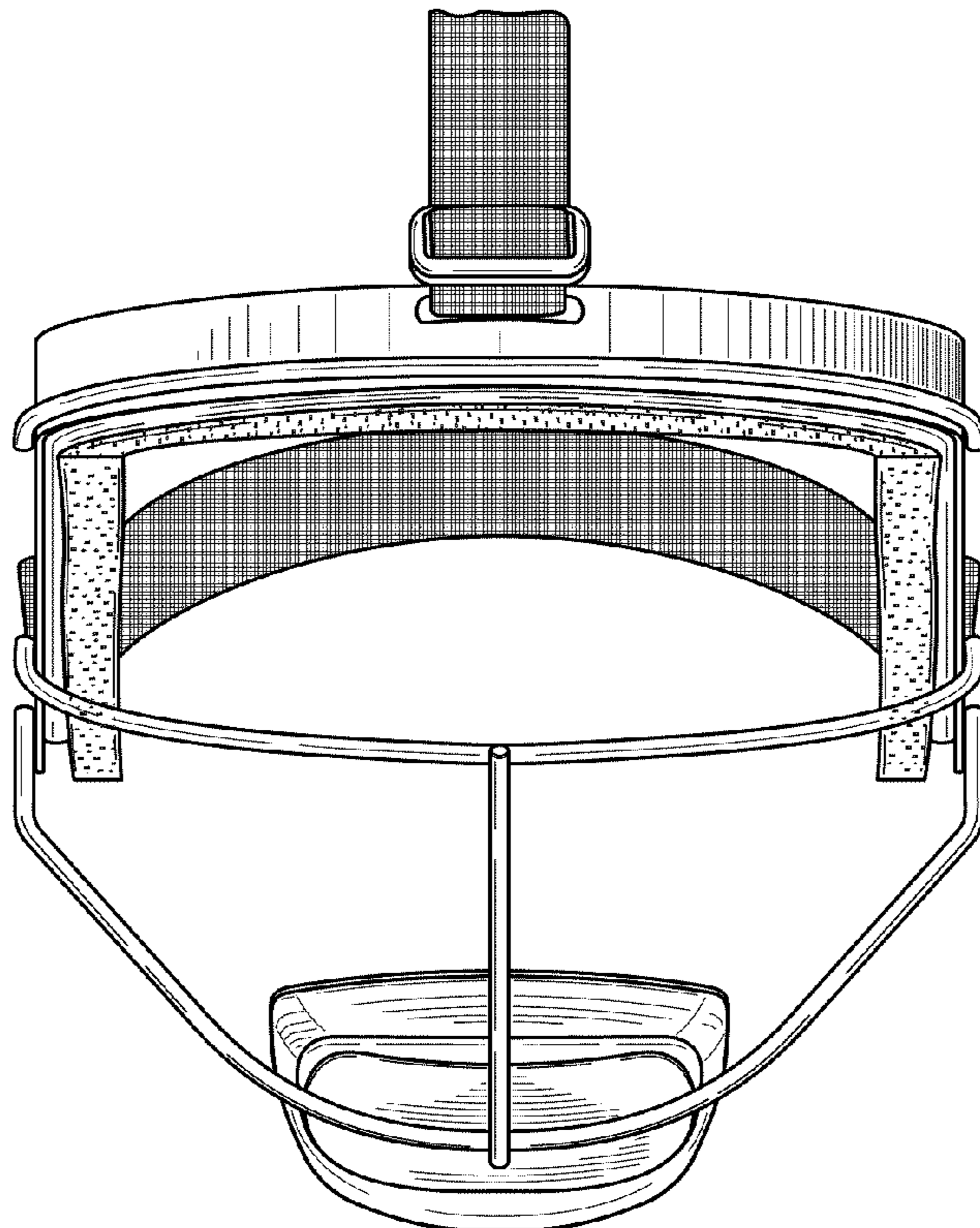


FIG. 2

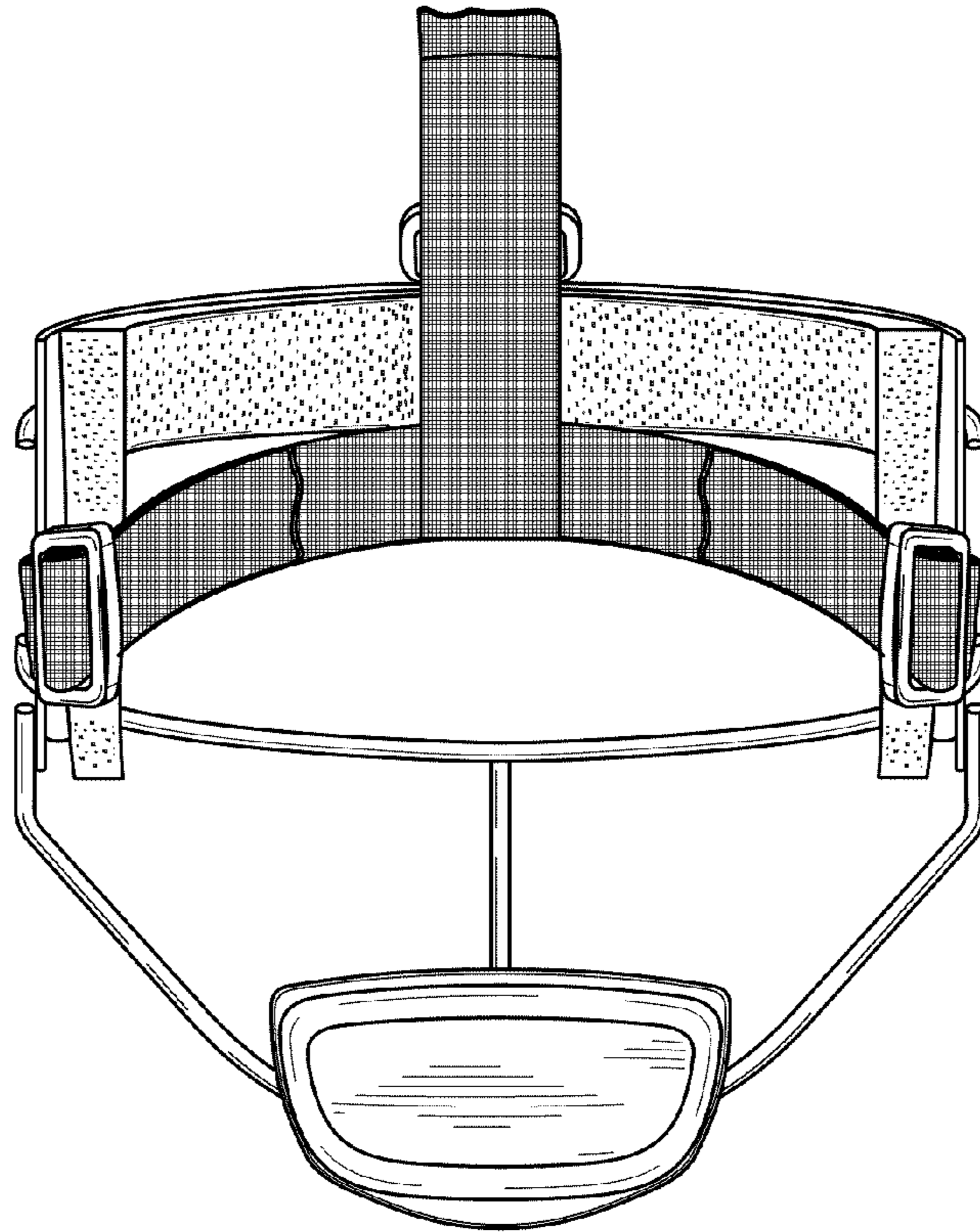


FIG. 3

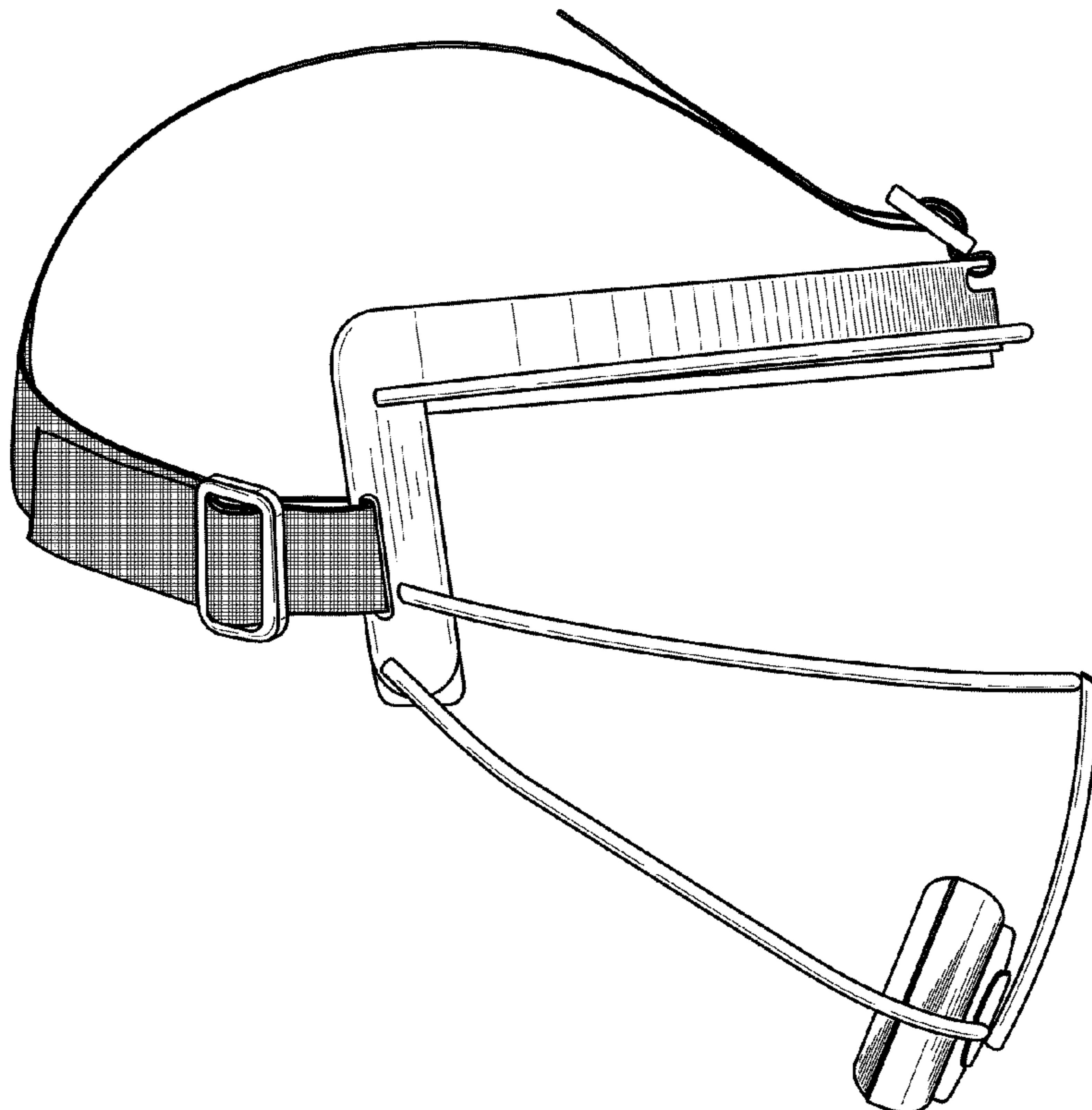


FIG. 4

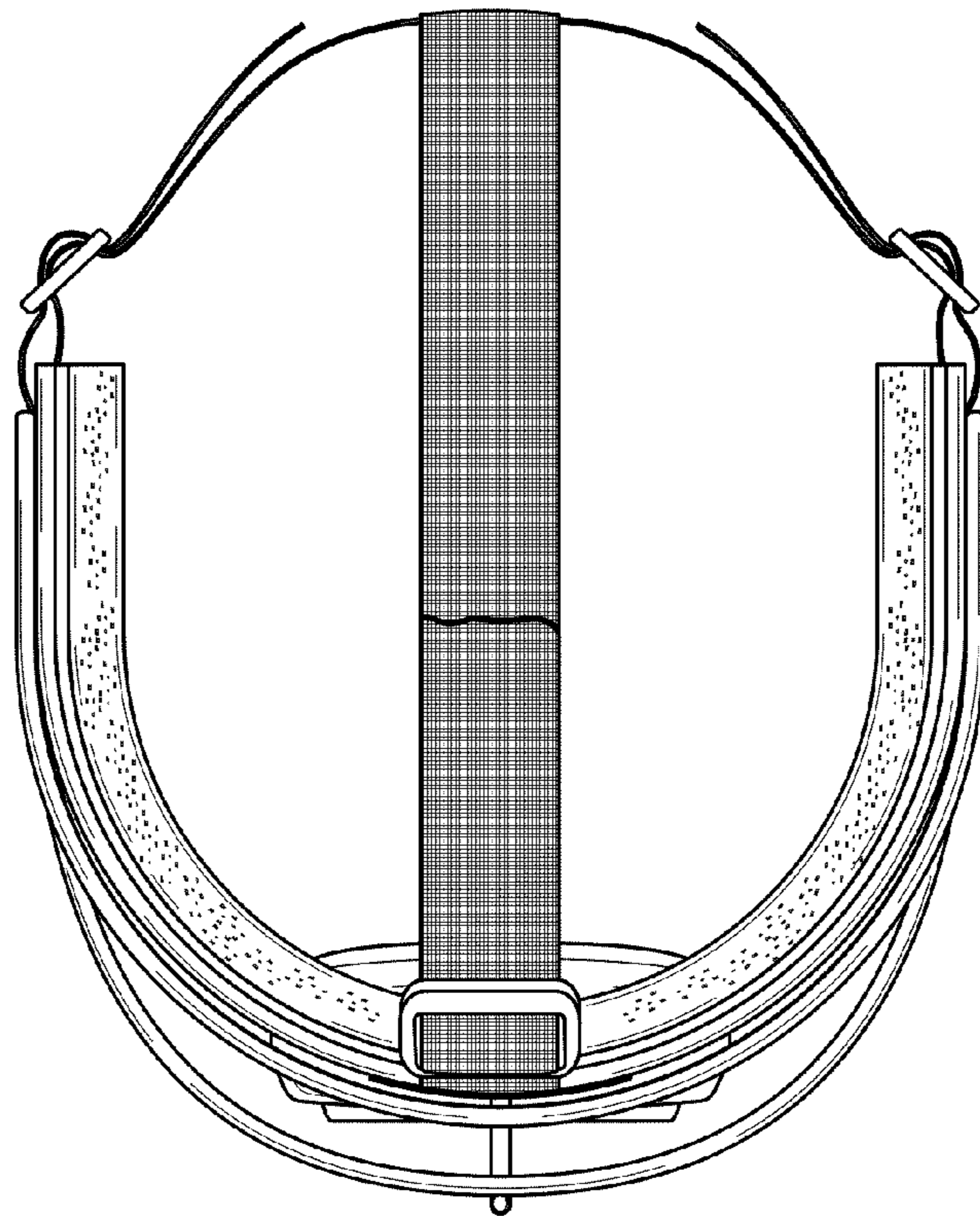


FIG. 5

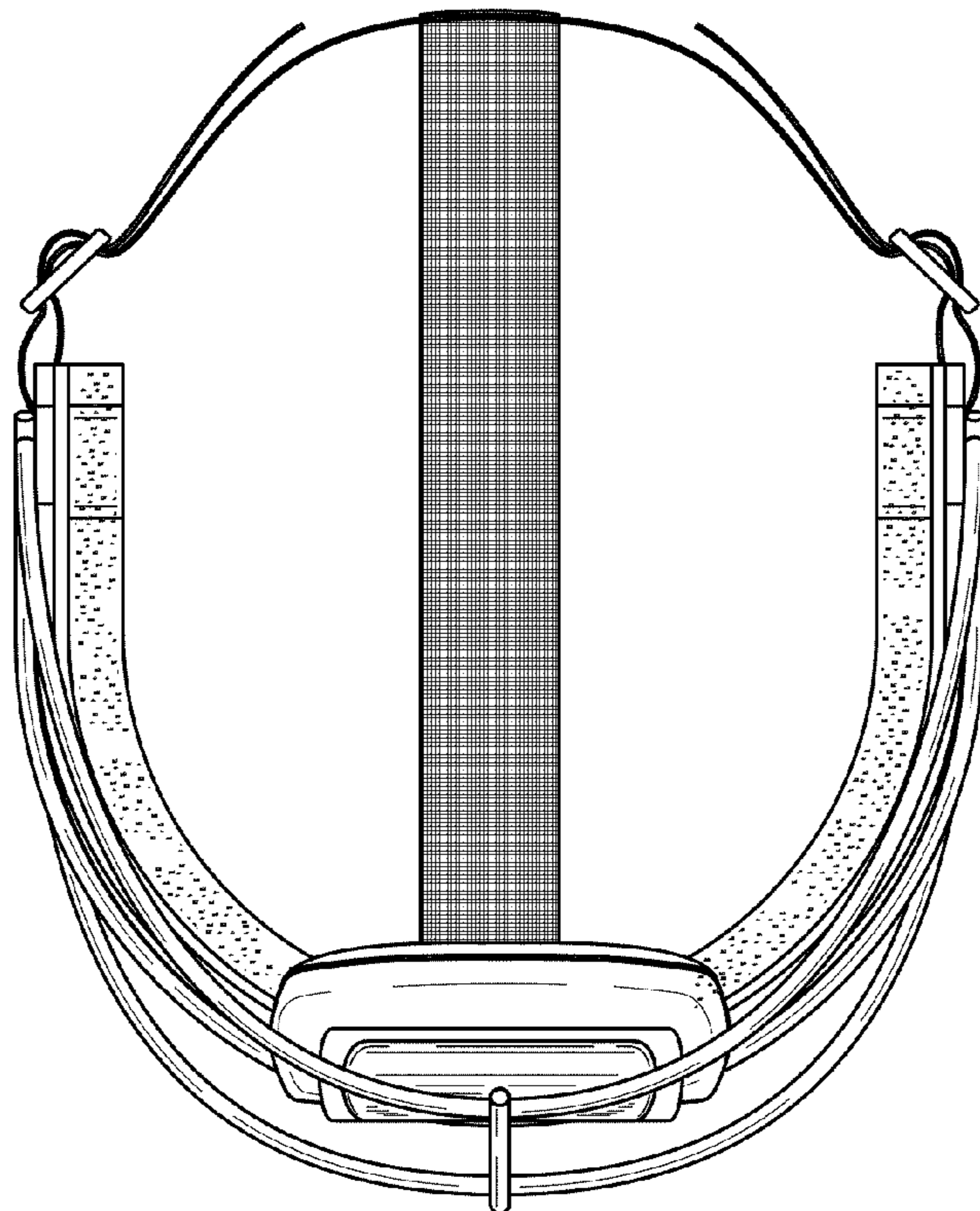


FIG. 6