



US00D603095S

(12) **United States Design Patent**
Petrucelli

(10) **Patent No.:** **US D603,095 S**

(45) **Date of Patent:** **** Oct. 27, 2009**

(54) **HOLDER FOR HAIR STYLING ACCESSORIES**

(74) *Attorney, Agent, or Firm*—Anthony J. Casella; Gerald E. Hespos

(75) Inventor: **Giulio Petrucelli**, Flushing, NY (US)

(57) **CLAIM**

(73) Assignee: **P.S. Pibbs, Inc.**, Flushing, NY (US)

The ornamental design for a holder for hair styling accessories, as shown and described.

(**) Term: **14 Years**

(21) Appl. No.: **29/307,512**

DESCRIPTION

(22) Filed: **Apr. 24, 2008**

FIG. 1 is a perspective view of a holder for hair styling accessories showing my new design;

(51) **LOC (9) Cl.** **28-03**

FIG. 2 is a front elevational view of the holder for hair styling accessories of FIG. 1;

(52) **U.S. Cl.** **D28/38; D28/73**

(58) **Field of Classification Search** D28/38,
D28/73; D6/566-567; 248/117.1-117.7,
248/176.2; 211/85.31, 70.6

FIG. 3 is a top plan view of the holder for hair styling accessories of FIG. 1;

See application file for complete search history.

FIG. 4 is a side elevational view taken from the right side of FIG. 2;

(56) **References Cited**

U.S. PATENT DOCUMENTS

4,446,972	A *	5/1984	Sussman	211/70.6
D377,695	S *	1/1997	Puckett	D28/38
5,743,415	A *	4/1998	Smart	211/70.6
D454,460	S *	3/2002	Davies	D6/566
D558,925	S *	1/2008	Skyles	D28/73
D584,857	S *	1/2009	Kirschenmann	D28/73

FIG. 5 is a left side elevational view of the holder for hair styling accessories of FIG. 1;

FIG. 6 is a back elevational view of the holder for hair styling accessories of FIG. 1; and,

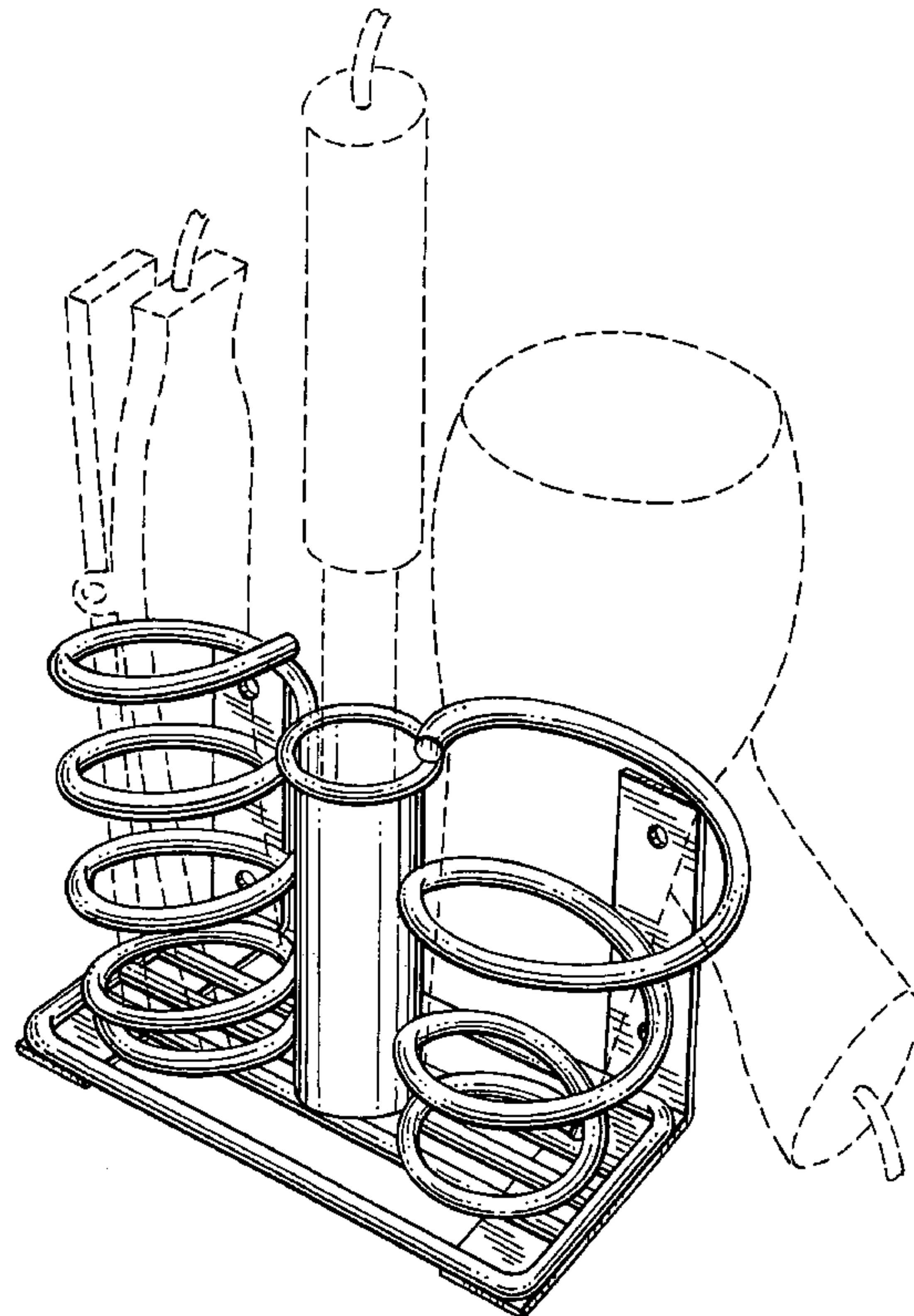
FIG. 7 is a bottom plan view of the holder for hair styling accessories of FIG. 1.

The broken lines showing various hair styling accessories in the holder for hair styling accessories in FIG. 1 are for illustrative purposes only and form no part of the claimed design.

* cited by examiner

Primary Examiner—Jennifer Rivard

1 Claim, 7 Drawing Sheets



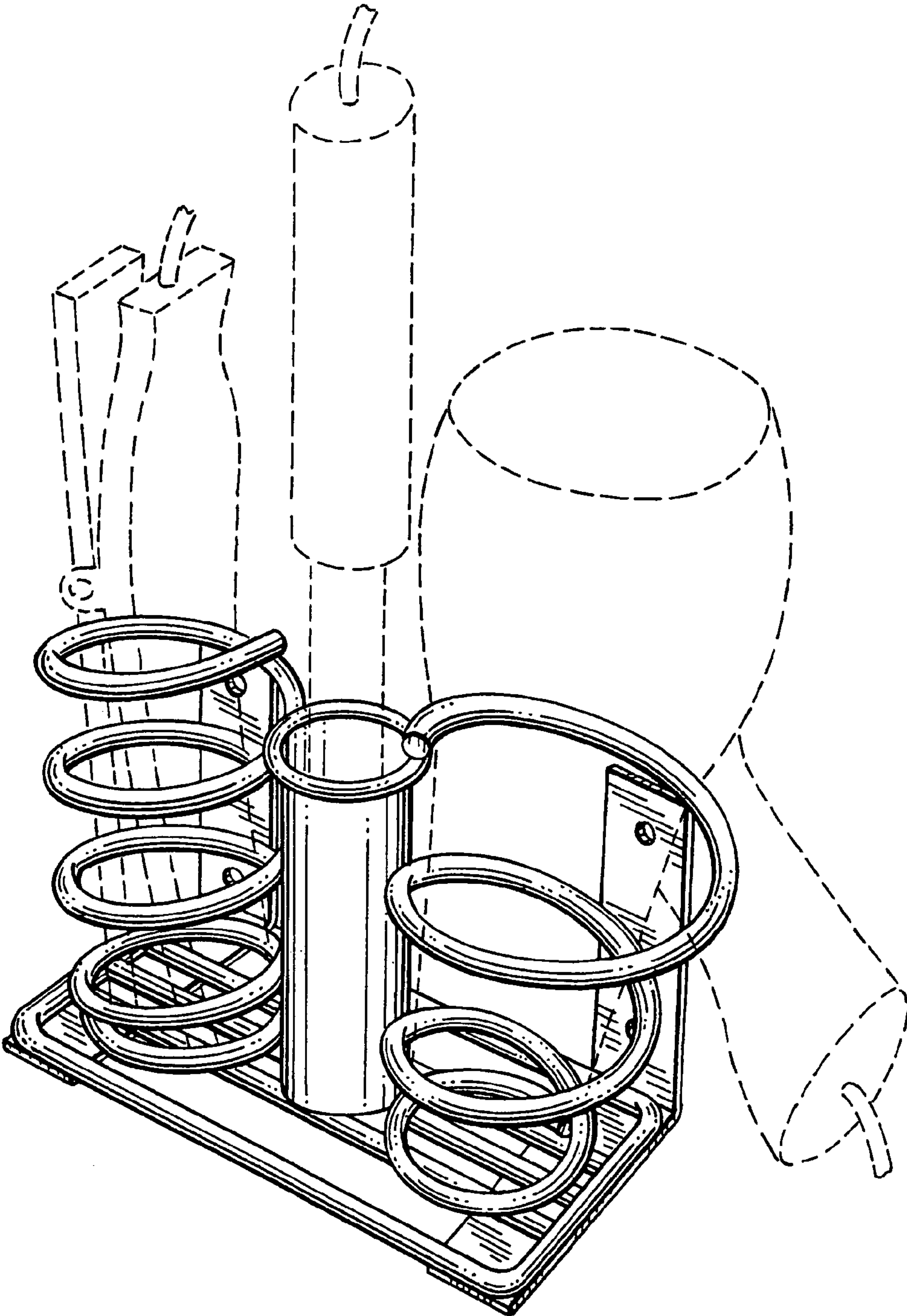
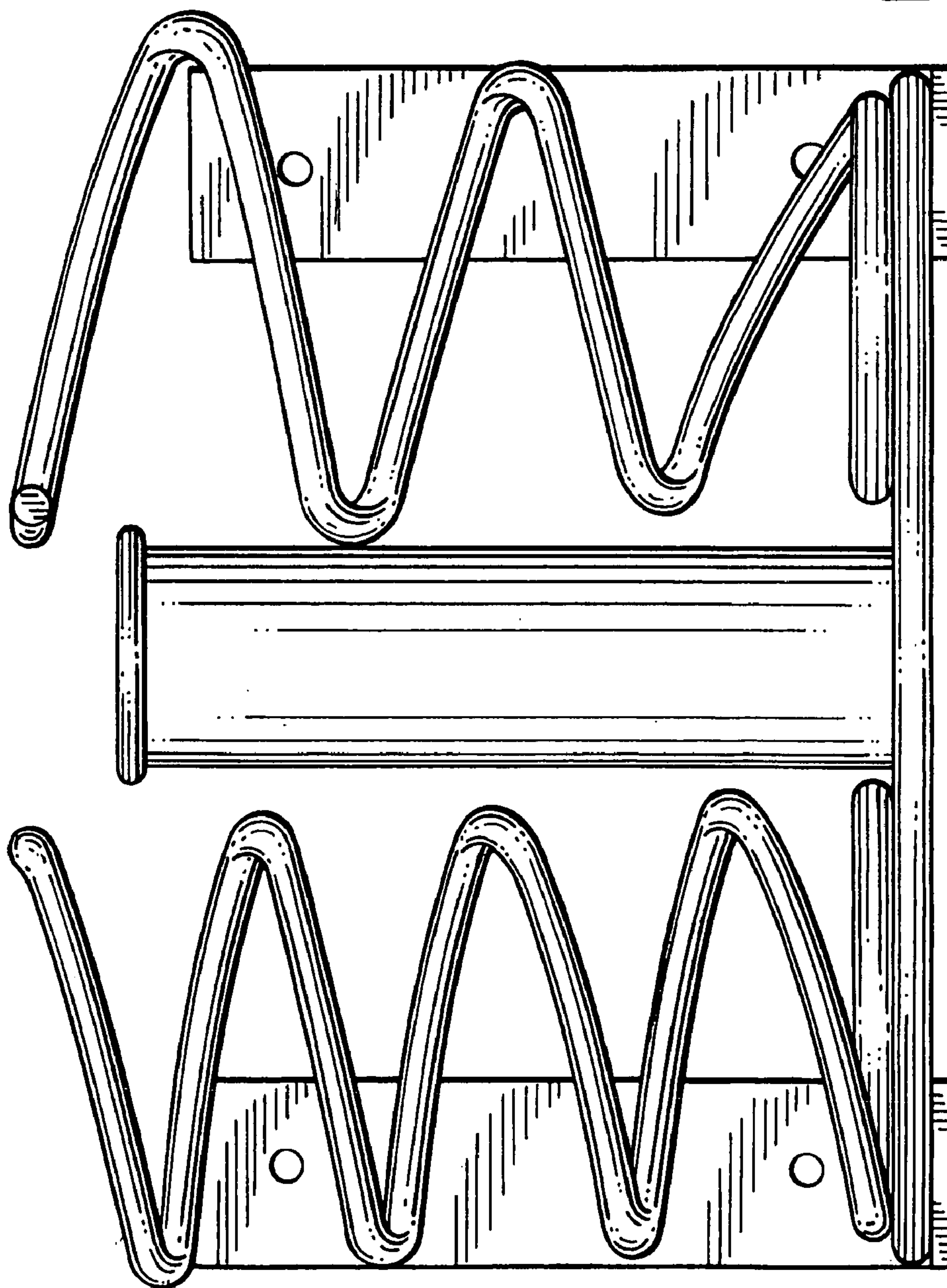


FIG. 1

FIG. 2



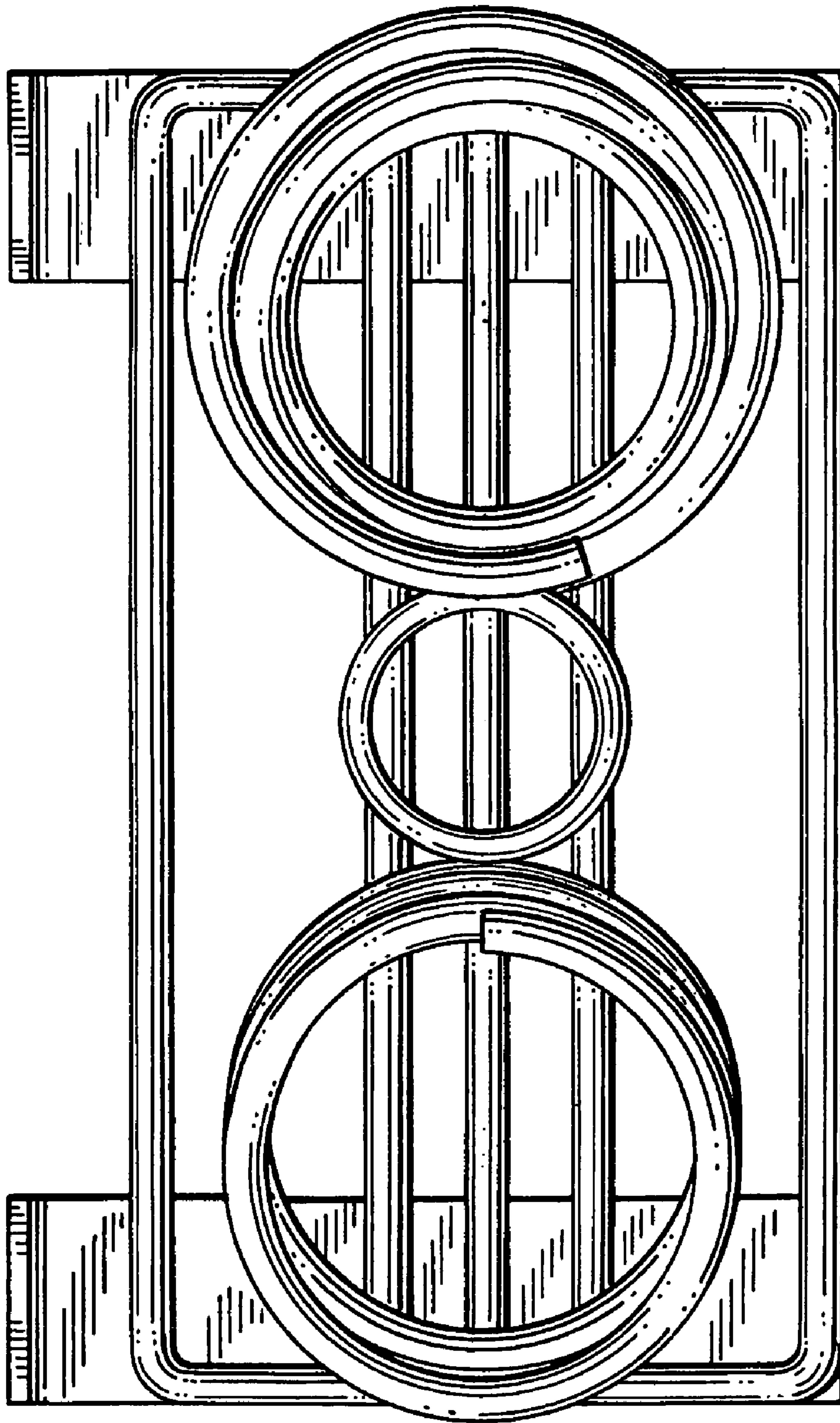


FIG. 3

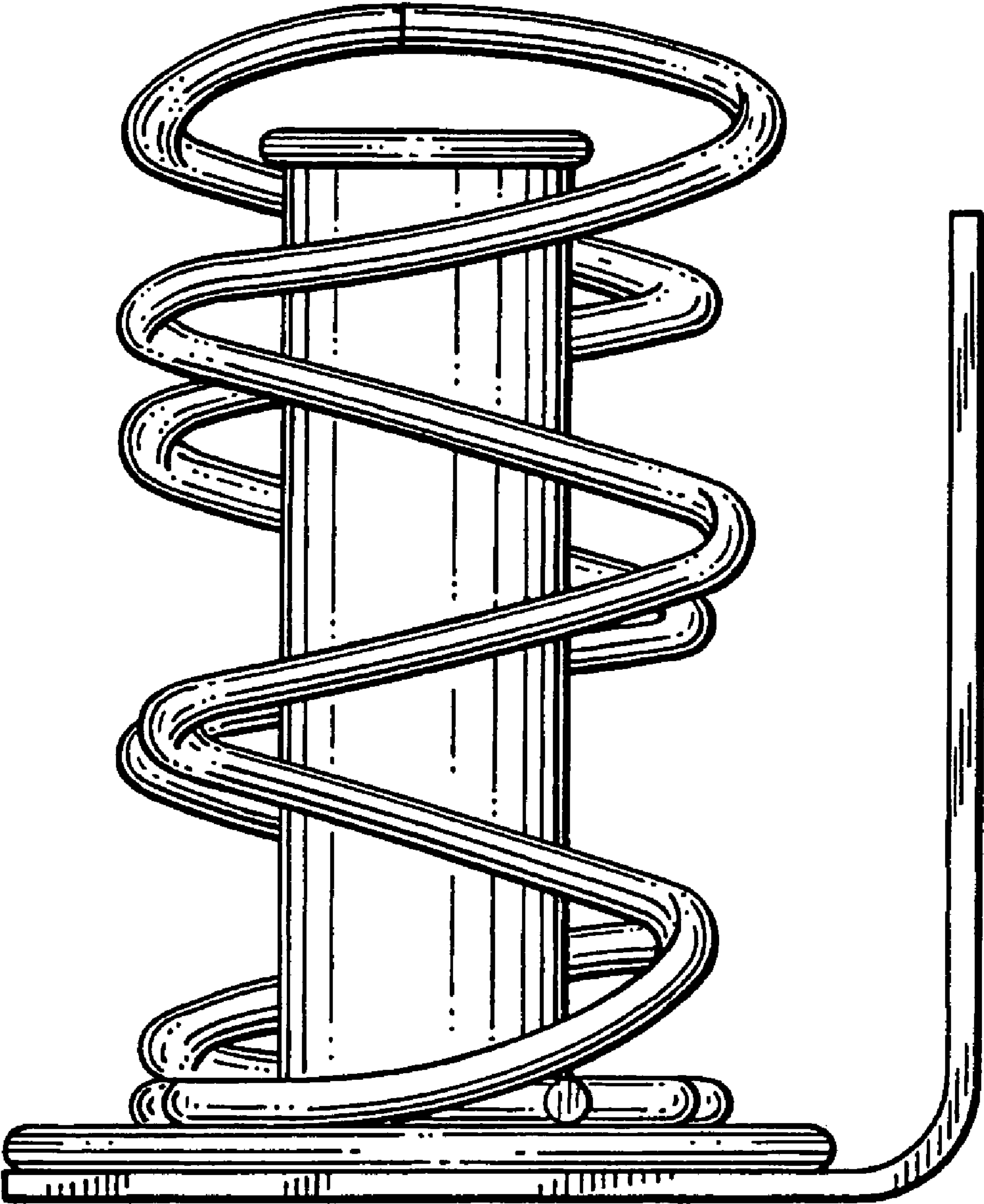


FIG.4

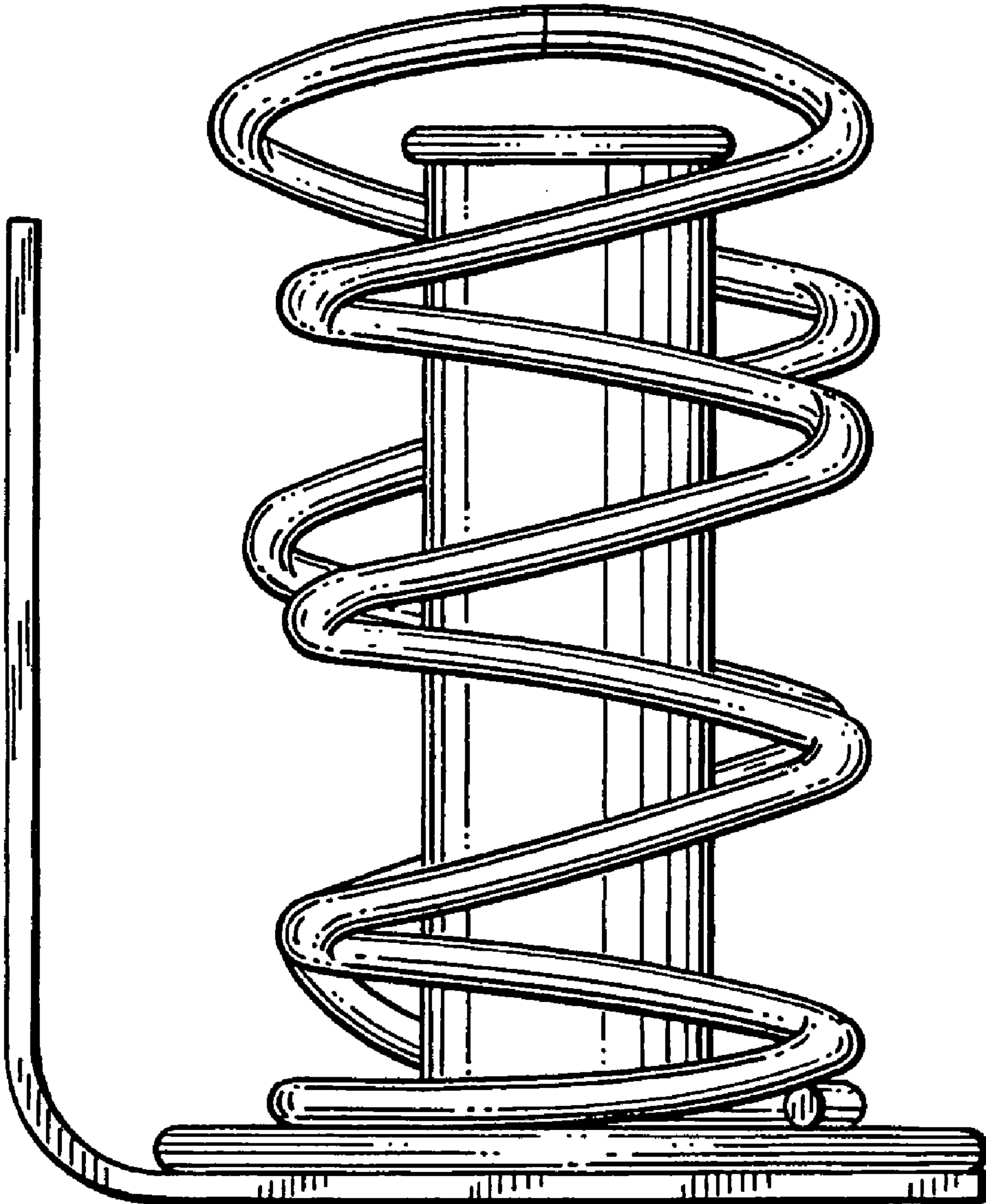
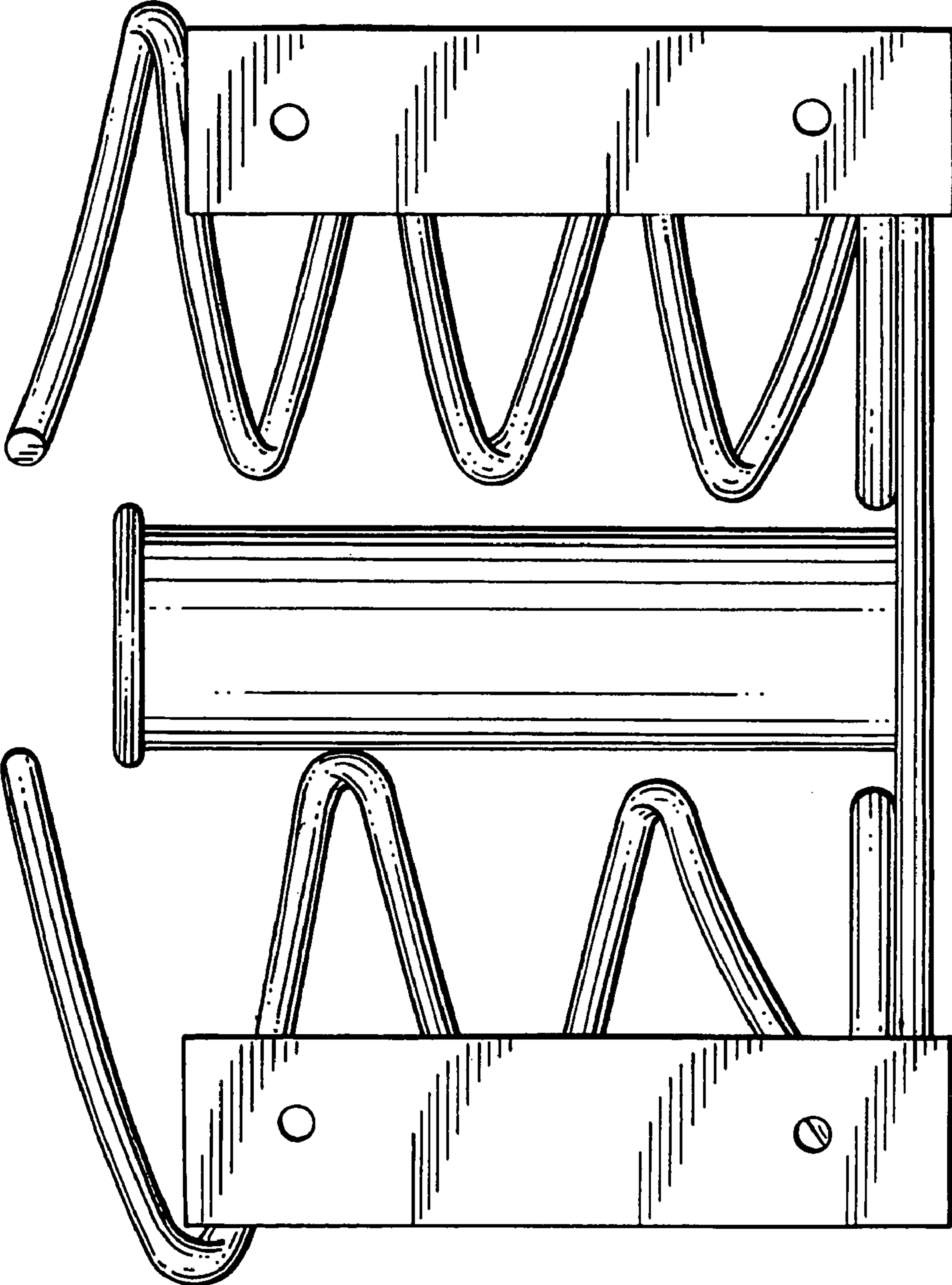


FIG. 5

FIG. 6



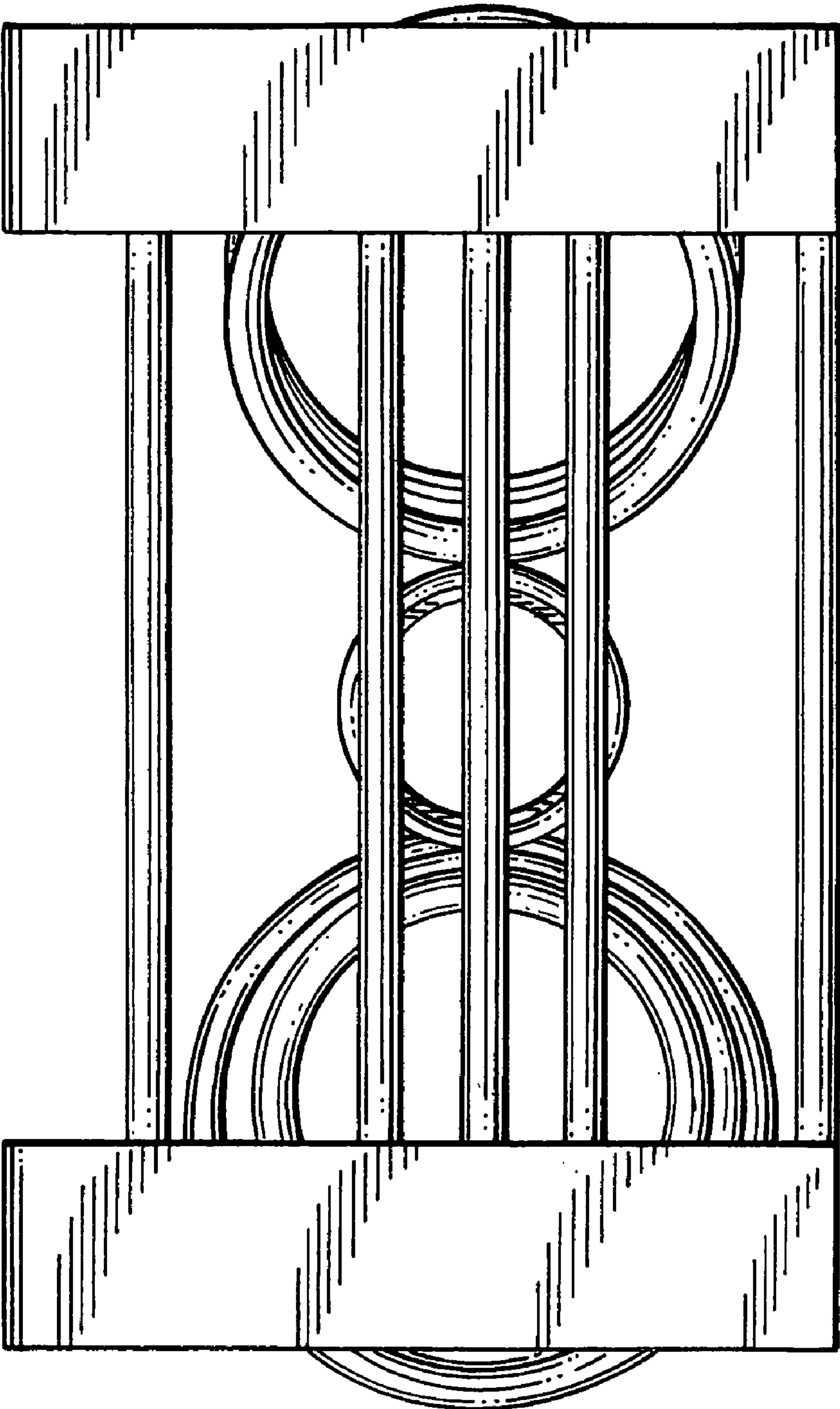


FIG.7