

US00D603089S

(12) **United States Design Patent**
Uchida et al.

(10) **Patent No.:** **US D603,089 S**
(45) **Date of Patent:** **** Oct. 27, 2009**

(54) **FLUORESCENT LAMP**

(75) Inventors: **Noriyuki Uchida**, Osaka (JP); **Shiro Iida**, Osaka (JP)

(73) Assignee: **Panasonic Corporation**, Osaka (JP)

(**) Term: **14 Years**

(21) Appl. No.: **29/330,872**

(22) Filed: **Jan. 15, 2009**

(30) **Foreign Application Priority Data**

Nov. 7, 2008 (JP) 2008-028605

(51) **LOC (9) Cl.** **26-99**

(52) **U.S. Cl.** **D26/138**

(58) **Field of Classification Search** D13/136,
D13/134; 439/242, 241, 239, 236, 232; 362/233,
362/425, 371, 260, 217, 264, 321, 257, 282,
362/606, 561, 580, 125, 126, 181, 277, 285,
362/183, 649, 651, 657, 658, 659, 293, 294,
362/319, 370, 421, 427; D26/135, 113, 118,
D26/128, 37, 138, 63, 65, 2, 78, 3, 24, 26,
D26/49, 59, 60, 61, 64, 72, 75, 79, 93, 129,
D26/130, 132, 133, 134, 136, 137, 140, 141,
D26/142, 152, 153, 40; 353/82, 31, 46, 49,
353/98, 119, 71; 206/591; D16/221, 228,
D16/230, 232, 231; 250/372

See application file for complete search history.

(56) **References Cited**

U.S. PATENT DOCUMENTS

2,248,598 A * 7/1941 Yoder 439/239
2,252,340 A * 8/1941 Bryant et al. 439/232
D151,314 S * 10/1948 Adams et al. D13/134
4,376,966 A * 3/1983 Tieszen 362/249.01
D380,731 S * 7/1997 Schadhauer D13/134
D415,468 S * 10/1999 Klaus et al. D13/134
D440,941 S * 4/2001 Parekh D13/134
6,309,236 B1 * 10/2001 Ullrich 439/226
D521,676 S * 5/2006 Richner D26/78
7,059,888 B2 * 6/2006 Frappier et al. 439/375

D547,898 S * 7/2007 Tseng D26/78
D554,794 S * 11/2007 Tseng D26/78
D557,858 S 12/2007 Kitagawa et al.
D557,860 S 12/2007 Kitagawa et al.
D557,861 S 12/2007 Kitagawa et al.
D558,916 S 1/2008 Kitagawa et al.
D558,917 S 1/2008 Kitagawa et al.
D560,023 S 1/2008 Kitagawa et al.
D570,002 S 5/2008 Kitagawa et al.
D574,093 S 7/2008 Kitagawa et al.
D576,749 S 9/2008 Kitagawa et al.
2006/0098444 A1 * 5/2006 Petruzzi 362/404
2006/0126325 A1 * 6/2006 Lefebvre et al. 362/217

FOREIGN PATENT DOCUMENTS

JP D1107694 5/2001
JP D1201342 4/2004

* cited by examiner

Primary Examiner—Cathron C Brooks
Assistant Examiner—Kevin K Rudzinski
(74) *Attorney, Agent, or Firm*—Brinks Hofer Gilson & Lione

(57) **CLAIM**

We claim the ornamental design for a fluorescent lamp, as shown and described.

DESCRIPTION

FIG. 1 is a top perspective view of a fluorescent lamp of the present invention;

FIG. 2 is a front view thereof;

FIG. 3 is a rear view thereof;

FIG. 4 is a first side view thereof;

FIG. 5 is a second side view thereof;

FIG. 6 is a top view thereof; and,

FIG. 7 is a bottom view thereof.

The broken line showing of fluorescent lamp is included for the purpose of illustrating environment and forms no part of the claimed design.

1 Claim, 7 Drawing Sheets

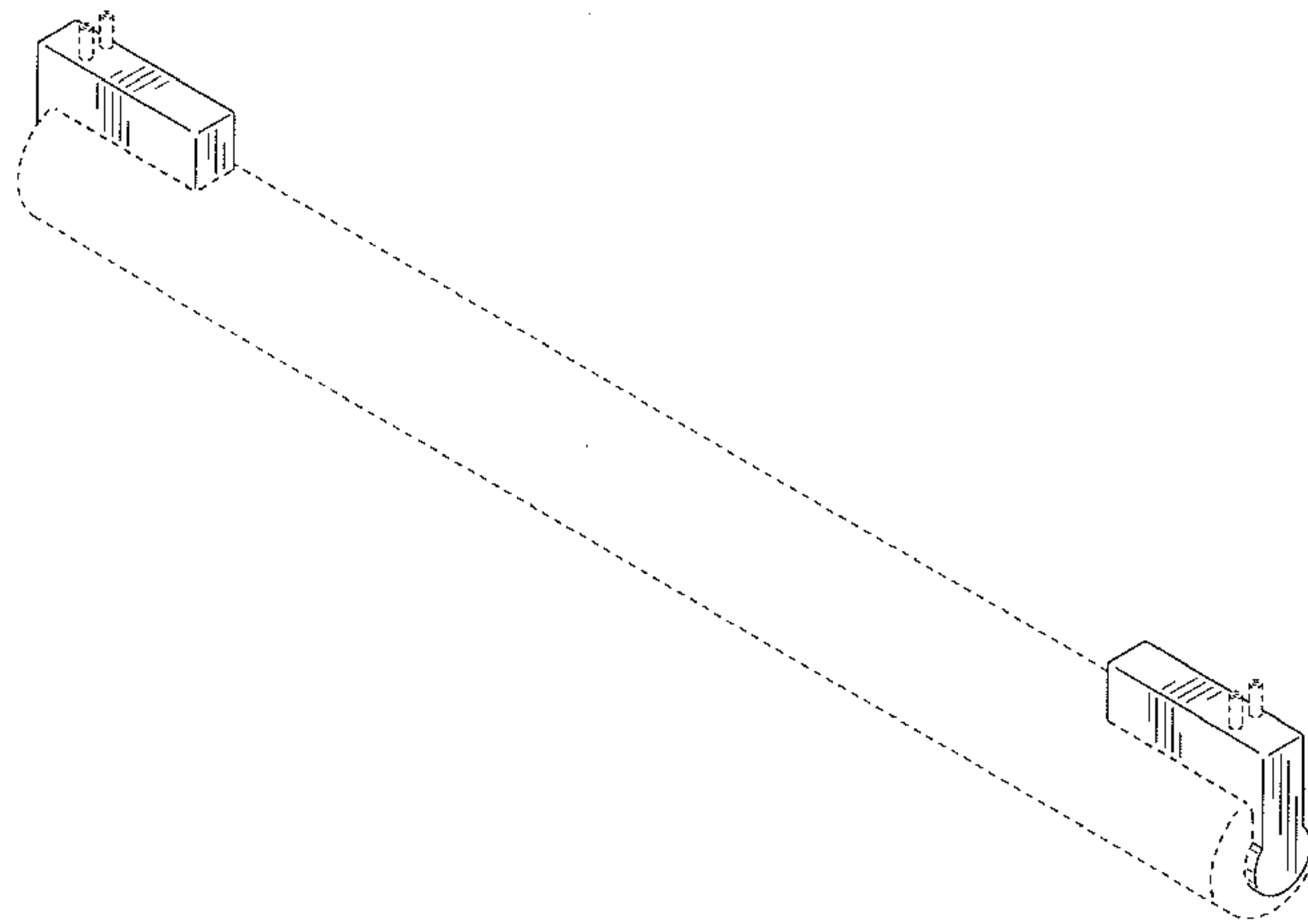


FIG.1

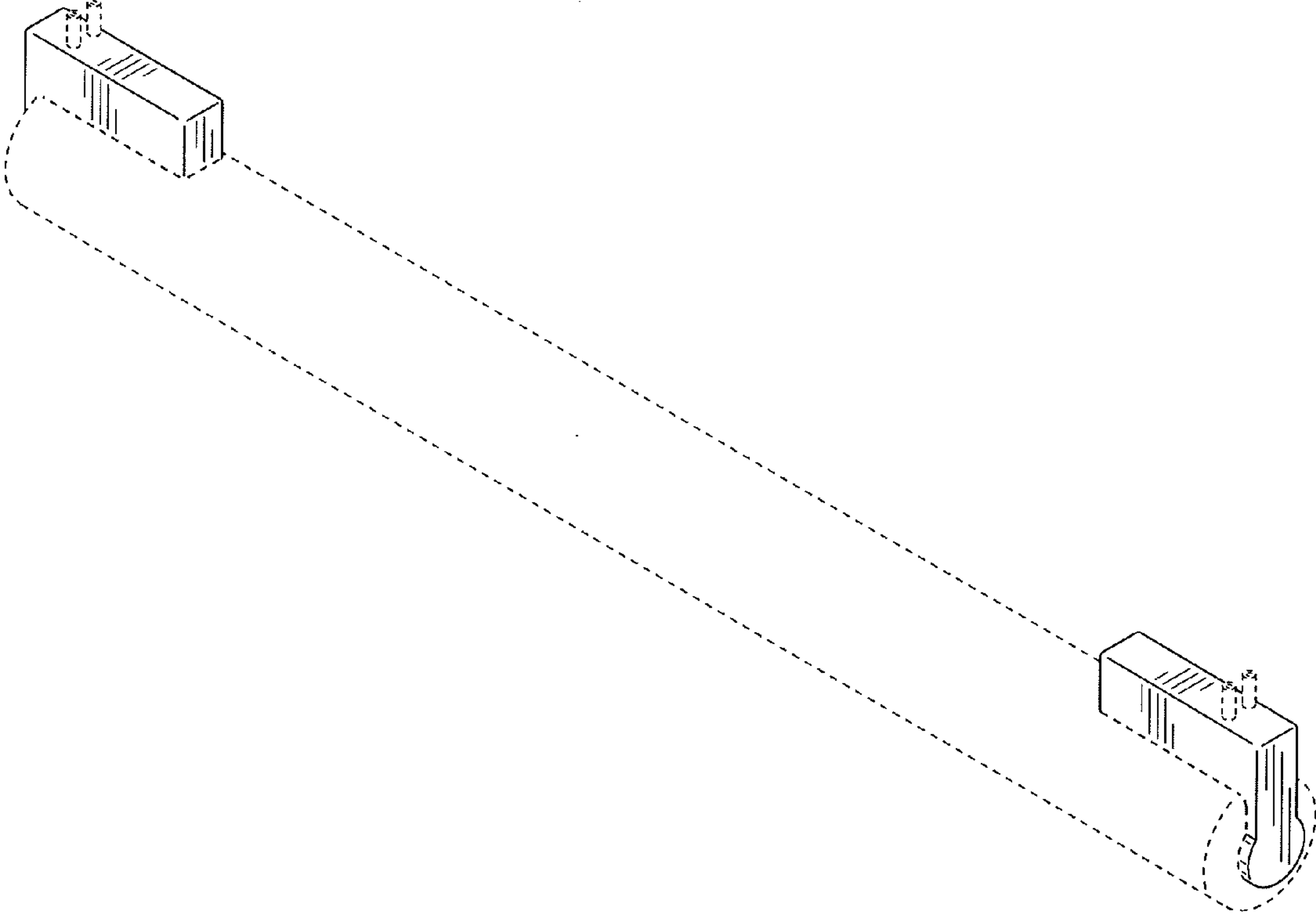


FIG. 2



FIG. 3

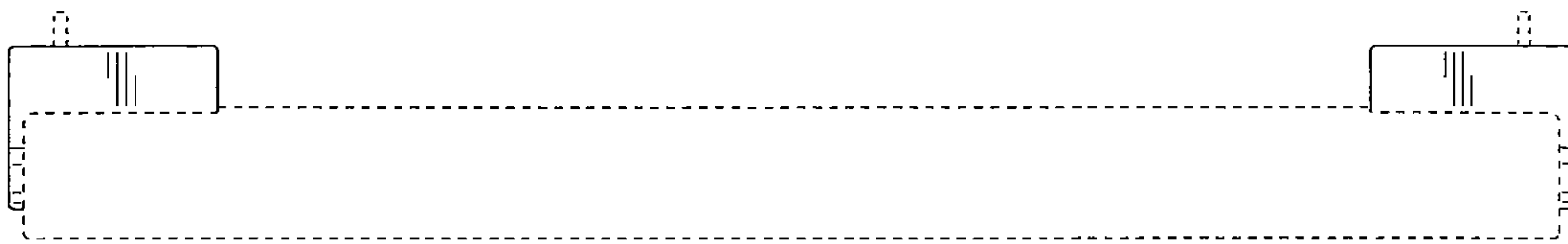


FIG. 4

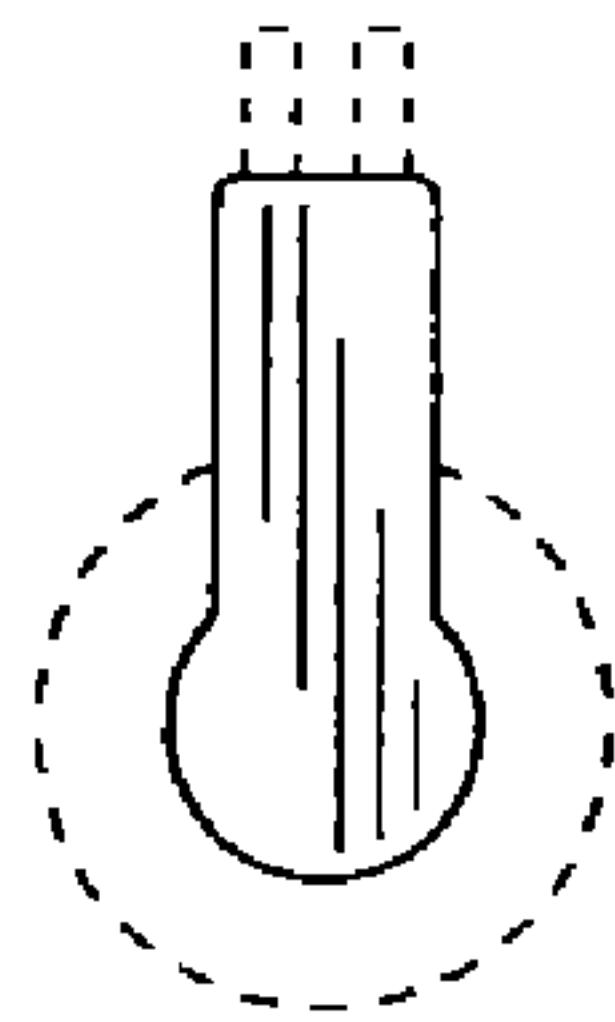


FIG. 5

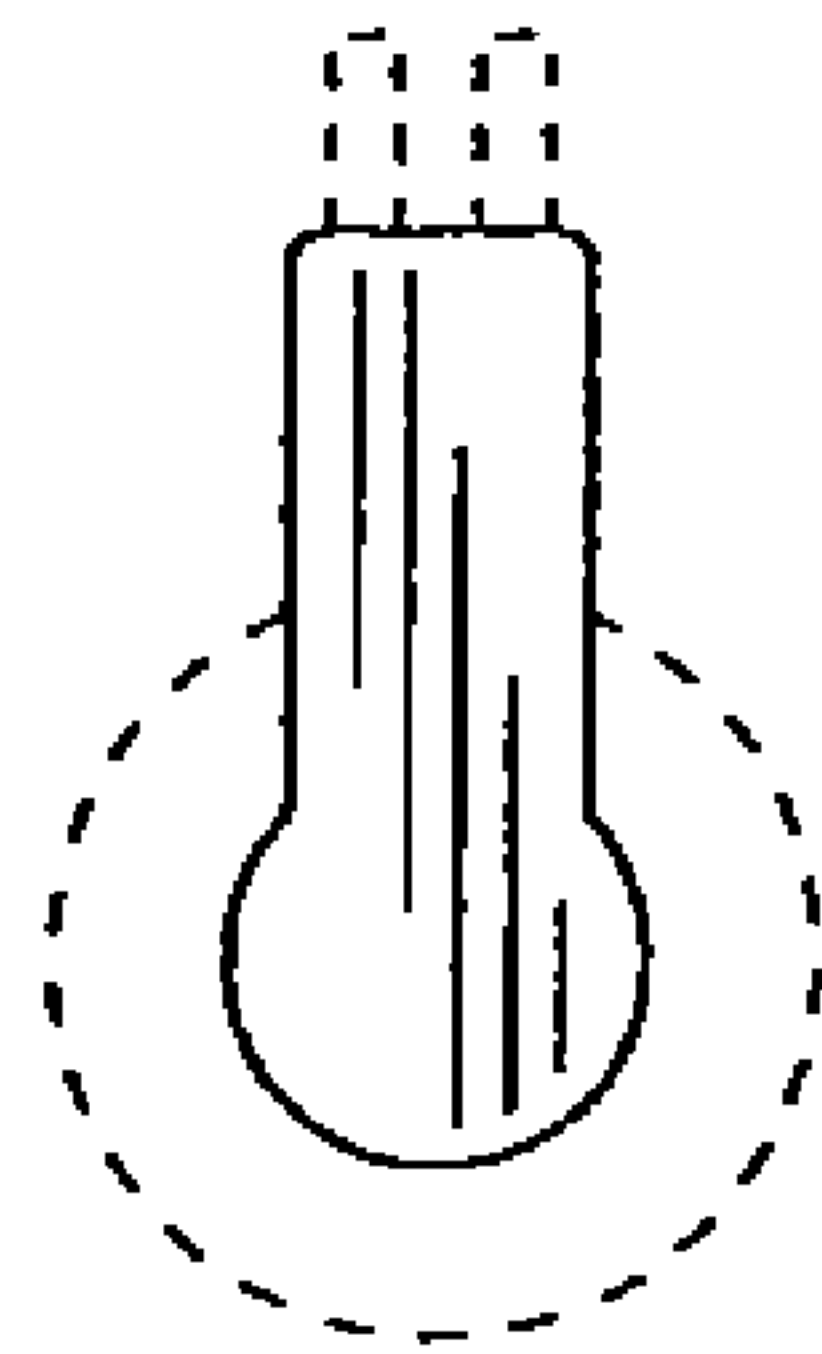


FIG. 6



FIG. 7

