



US00D603088S

(12) **United States Design Patent**  
**Senkyr**

(10) **Patent No.:** **US D603,088 S**  
(45) **Date of Patent:** **\*\* Oct. 27, 2009**

(54) **LIGHT FIXTURE**

(75) Inventor: **Keith A. Senkyr**, Elkton, KY (US)  
(73) Assignee: **RLR Industries**, Mableton, GA (US)  
(\*\*) Term: **14 Years**  
(21) Appl. No.: **29/318,195**  
(22) Filed: **May 15, 2008**

(51) **LOC (9) Cl.** ..... **26-99**  
(52) **U.S. Cl.** ..... **D26/120**  
(58) **Field of Classification Search** ..... D26/142,  
D26/149, 150, 151, 152, 119, 121, 128, 129,  
D26/130, 140, 141, 76, 120, 122, 118, 113,  
D26/138, 74, 77, 60, 75, 78, 80, 81, 82, 83,  
D26/85, 86, 88, 89, 90, 26, 35; 362/342,  
362/600, 601, 605, 606, 607, 608, 632, 633,  
362/558, 572, 573, 576, 145, 147, 217.01–217.05,  
362/217.08, 217.09–217.11, 217.14, 217.15,  
362/246, 248, 279, 290, 325, 354, 355, 364,  
362/366; D6/580, 300, 492, 579; D25/103,  
D25/124, 122, 123, 125, 106, 109, 110, 138  
See application file for complete search history.

(56) **References Cited**

**U.S. PATENT DOCUMENTS**

D60,485 S \* 2/1922 Butler ..... D6/300

(Continued)

*Primary Examiner*—Cathron C Brooks  
*Assistant Examiner*—Kevin K Rudzinski  
(74) *Attorney, Agent, or Firm*—Gardner Groff Greenwald &  
Villanueva, PC

(57) **CLAIM**

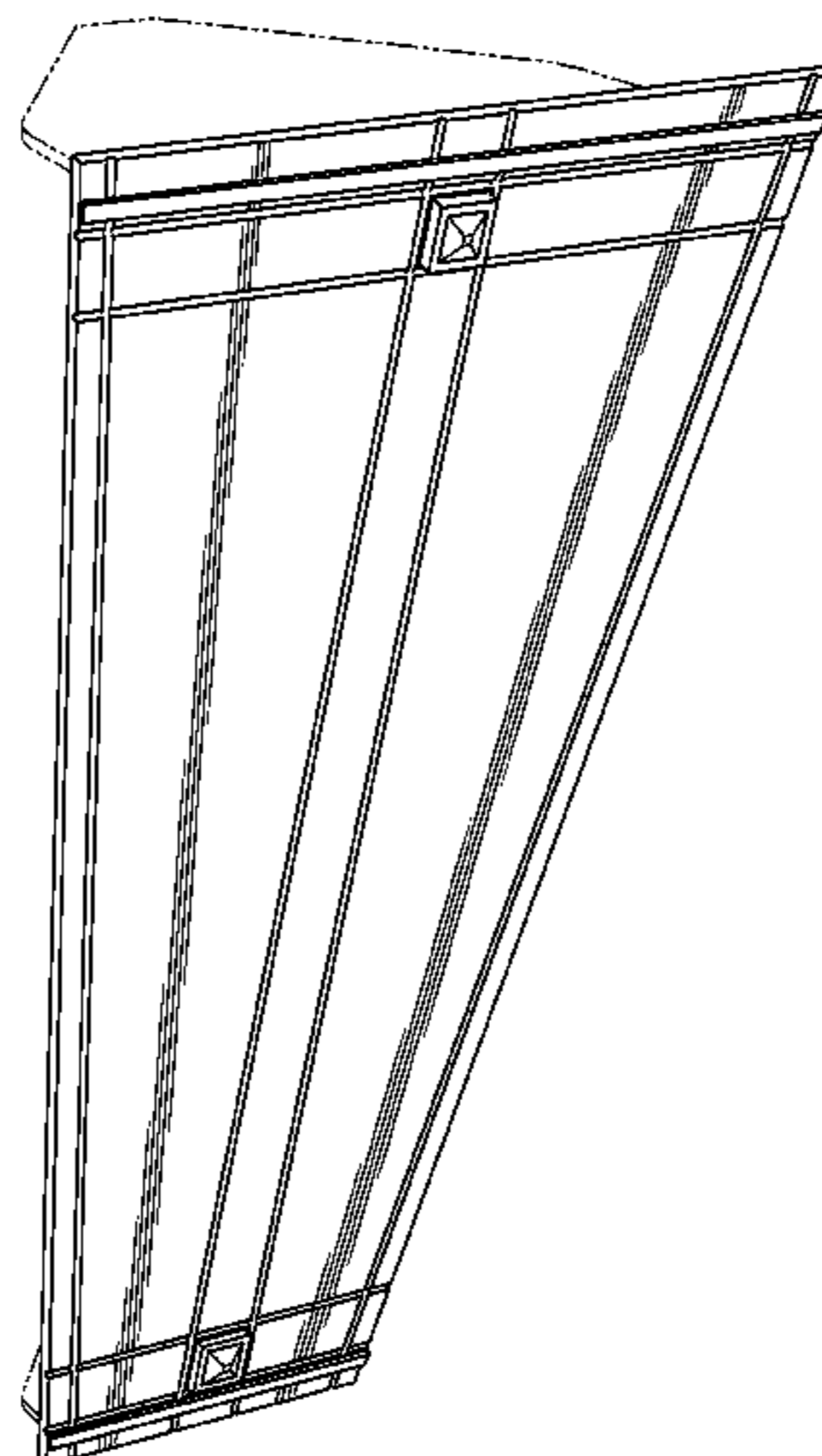
The ornamental design for a light fixture, substantially as shown and described.

**DESCRIPTION**

FIG. 1 is a perspective view of a light fixture according to a first embodiment of the present design.

FIG. 2 is a front view of the light fixture of FIG. 1.  
FIG. 3 is a left side view of the light fixture of FIG. 1.  
FIG. 4 is a right side view of the light fixture of FIG. 1.  
FIG. 5 is a top view of the light fixture of FIG. 1.  
FIG. 6 is a bottom view of the light fixture of FIG. 1.  
FIG. 7 is a back view of the light fixture of FIG. 1.  
FIG. 8 is a perspective view of a light fixture according to a second embodiment of the present design.  
FIG. 9 is a front view of the light fixture of FIG. 8.  
FIG. 10 is a left side view of the light fixture of FIG. 8.  
FIG. 11 is a right side view of the light fixture of FIG. 8.  
FIG. 12 is a top view of the light fixture of FIG. 8.  
FIG. 13 is a bottom view of the light fixture of FIG. 8.  
FIG. 14 is a back view of the light fixture of FIG. 8.  
FIG. 15 is a perspective view of a light fixture according to a third embodiment of the present design.  
FIG. 16 is a front view of the light fixture of FIG. 15.  
FIG. 17 is a left side view of the light fixture of FIG. 15.  
FIG. 18 is a right side view of the light fixture of FIG. 15.  
FIG. 19 is a top view of the light fixture of FIG. 15.  
FIG. 20 is a bottom view of the light fixture of FIG. 15.  
FIG. 21 is a back view of the light fixture of FIG. 15.  
FIG. 22 is a perspective view of a light fixture according to a fourth embodiment of the present design.  
FIG. 23 is a front view of the light fixture of FIG. 22.  
FIG. 24 is a left side view of the light fixture of FIG. 22.  
FIG. 25 is a right side view of the light fixture of FIG. 22.  
FIG. 26 is a top view of the light fixture of FIG. 22.  
FIG. 27 is a bottom view of the light fixture of FIG. 22; and,  
FIG. 28 is a back view of the light fixture of FIG. 22.  
Portions shown in broken lines are for illustrative purposes only and form no part of the claimed design.

**1 Claim, 20 Drawing Sheets**



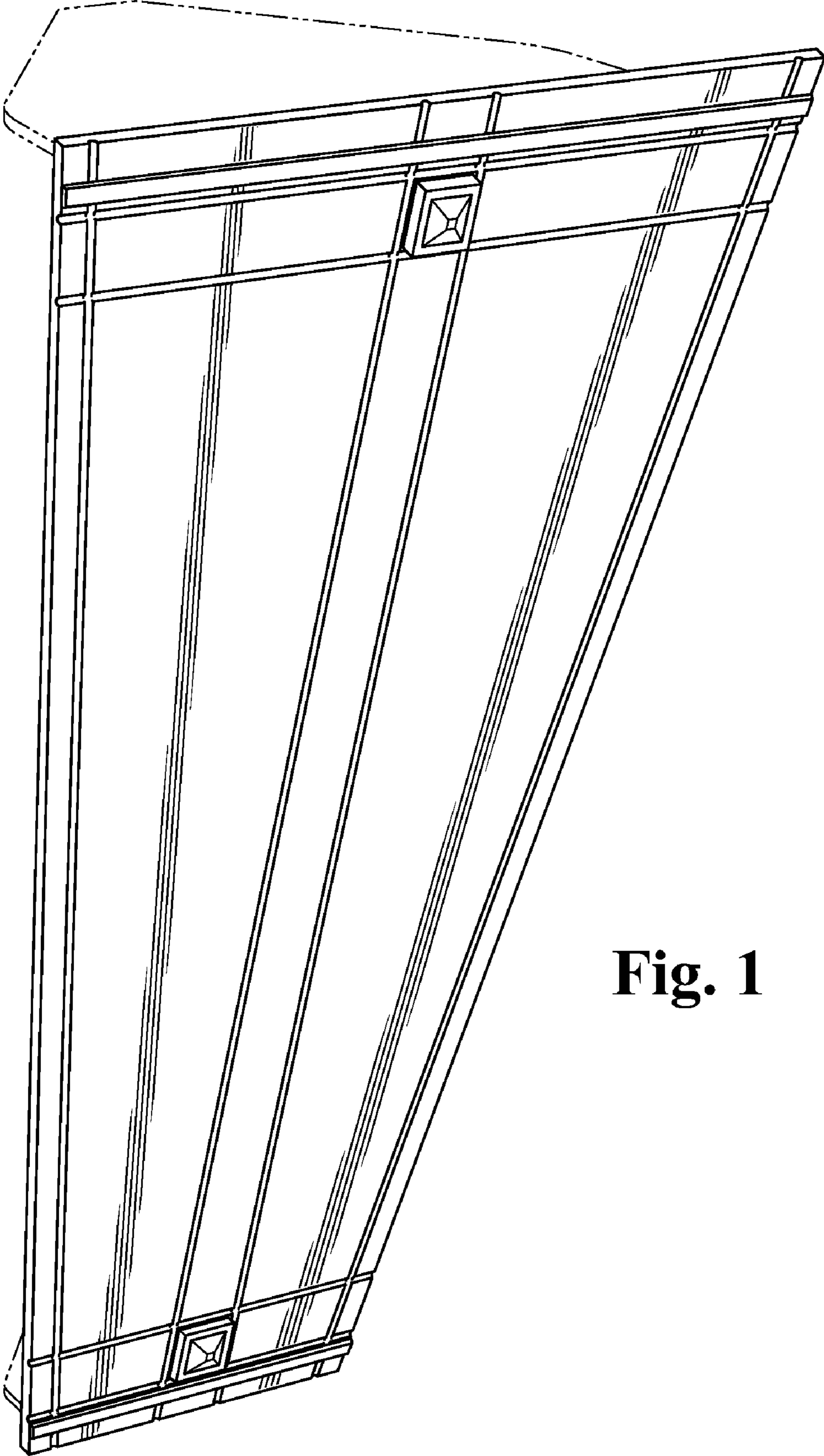
# US D603,088 S

Page 2

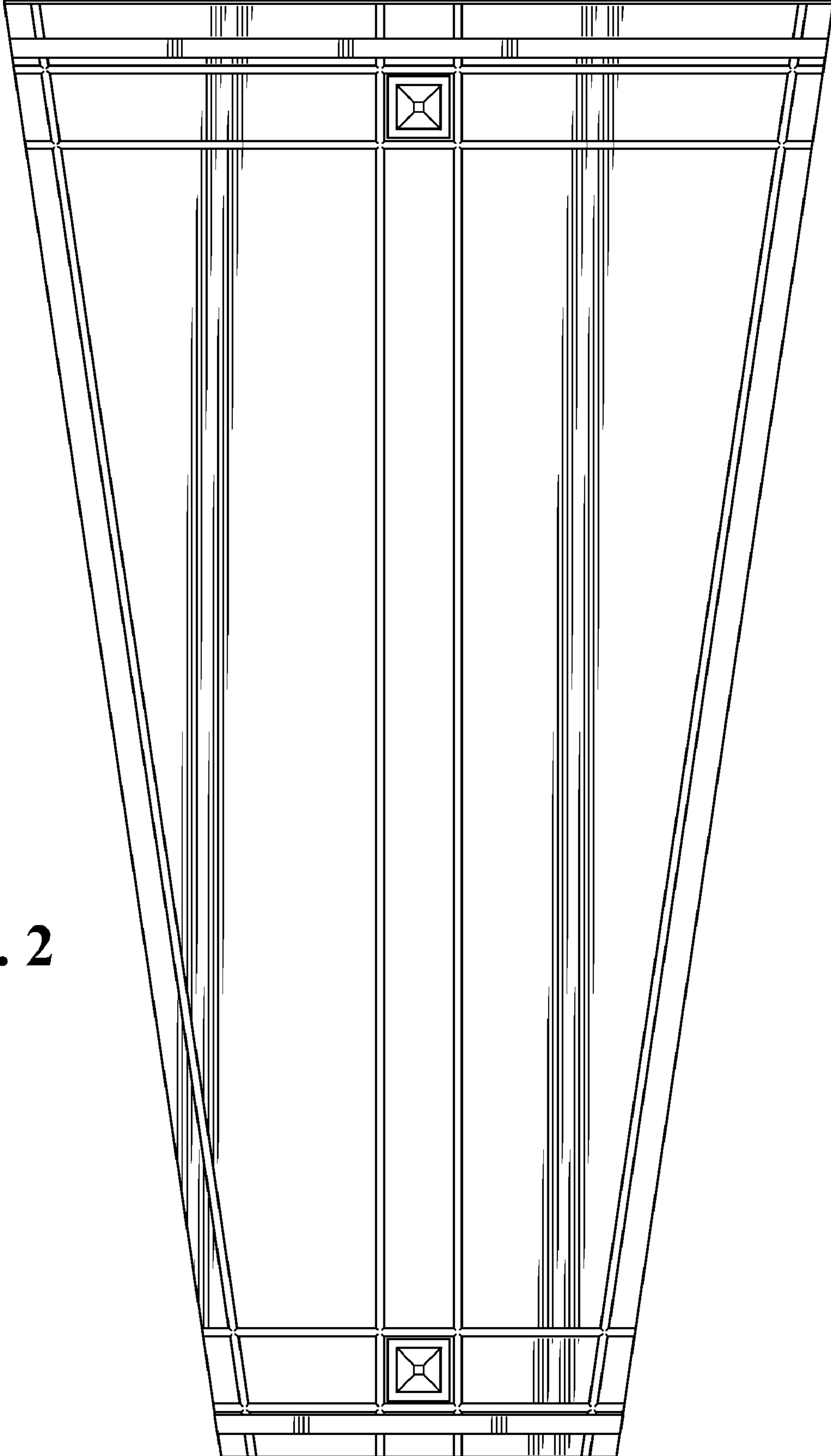
## U.S. PATENT DOCUMENTS

2,428,827	A	10/1947	Beck	
2,694,137	A	11/1954	Williams	
D191,531	S *	10/1961	Spaulding	..... D26/76
D203,692	S *	2/1966	Roovaart	..... D26/71
4,338,653	A	7/1982	Marrero	
4,352,151	A	9/1982	Lewis	
4,862,333	A	8/1989	Brasket	
5,057,980	A	10/1991	Russell	
D330,268	S	10/1992	Jaksich	
D339,921	S *	10/1993	Nourse	..... D6/300
5,349,134	A	9/1994	Russell	
5,363,295	A	11/1994	DeKleine et al.	
D362,082	S *	9/1995	McDowell	..... D26/152
D364,479	S *	11/1995	Gilbert	..... D26/85
5,720,548	A	2/1998	Geary	
D393,734	S	4/1998	Casteel	
D398,413	S	9/1998	Compton	
D402,378	S *	12/1998	Parkhurst	..... D25/103
D405,908	S	2/1999	Herst et al.	
D415,291	S *	10/1999	Woodruff	..... D25/103
D437,962	S *	2/2001	Thomas, Jr.	..... D26/87
D491,687	S	6/2004	Thornton, Jr. et al.	
D497,217	S	10/2004	Thornton, Jr. et al.	
7,055,992	B1	6/2006	Accornero	
D533,949	S *	12/2006	Kaspari et al.	..... D25/103

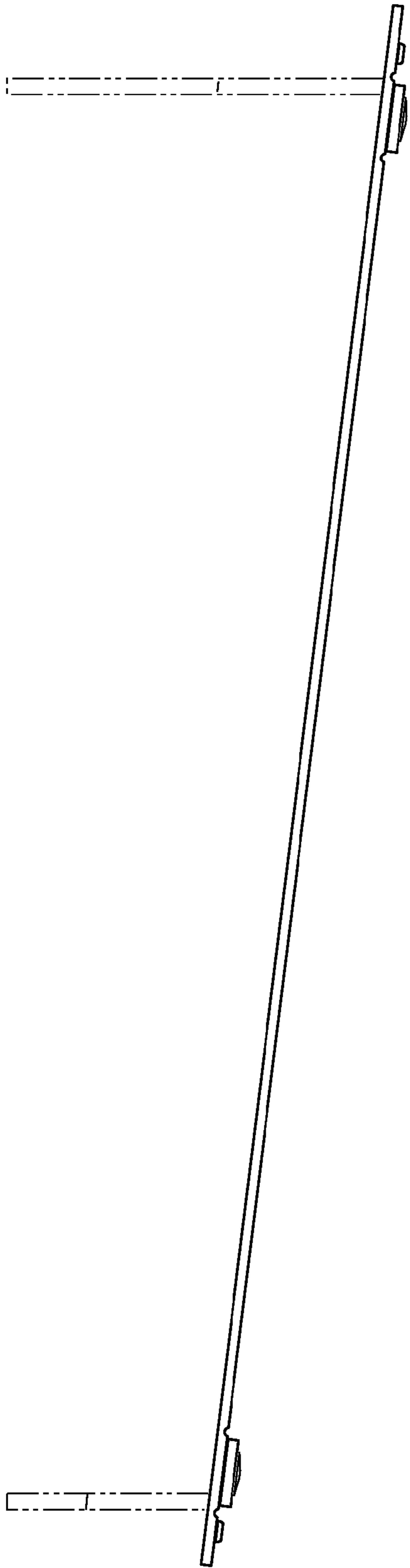
\* cited by examiner



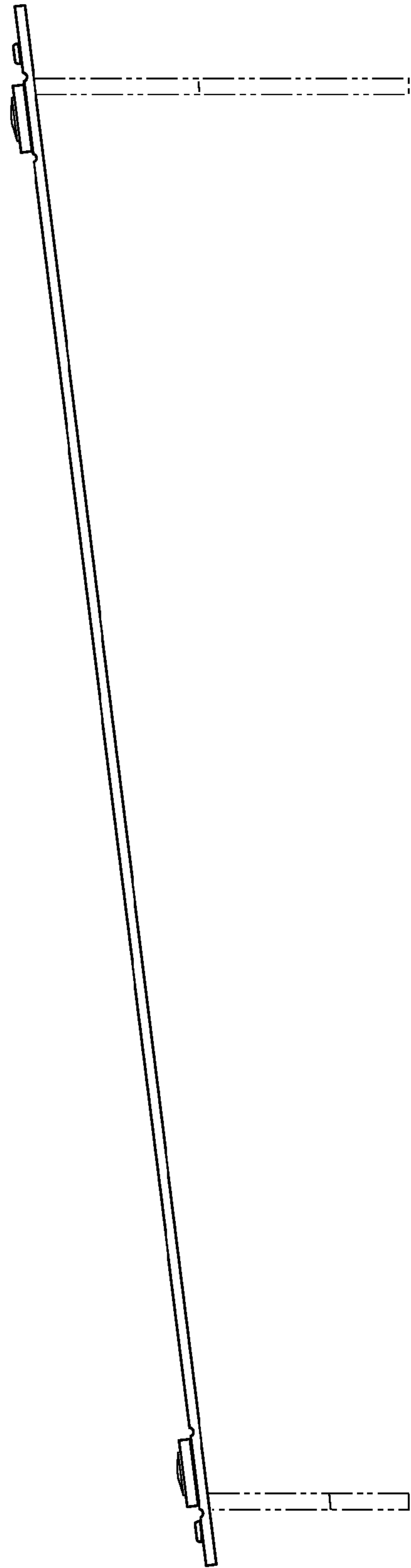
**Fig. 1**



**Fig. 2**



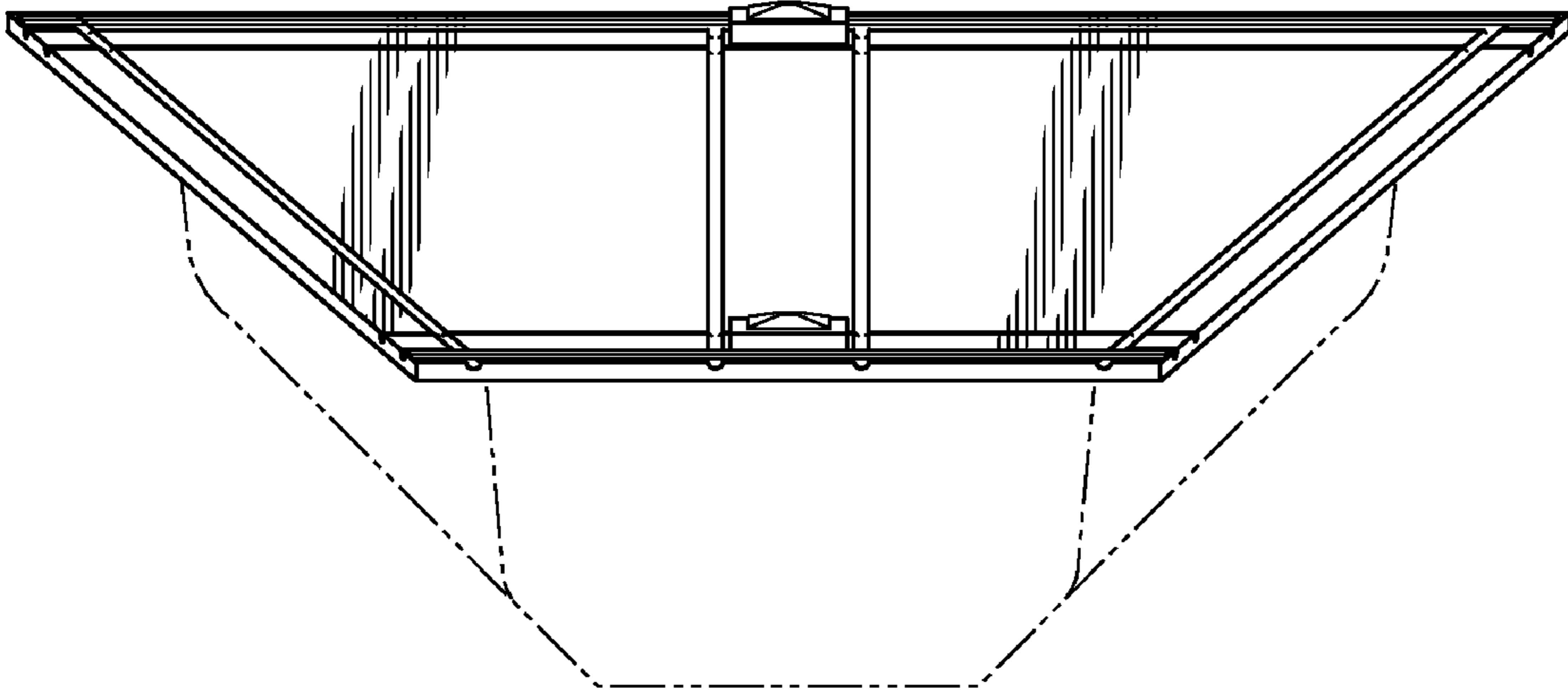
**Fig. 3**



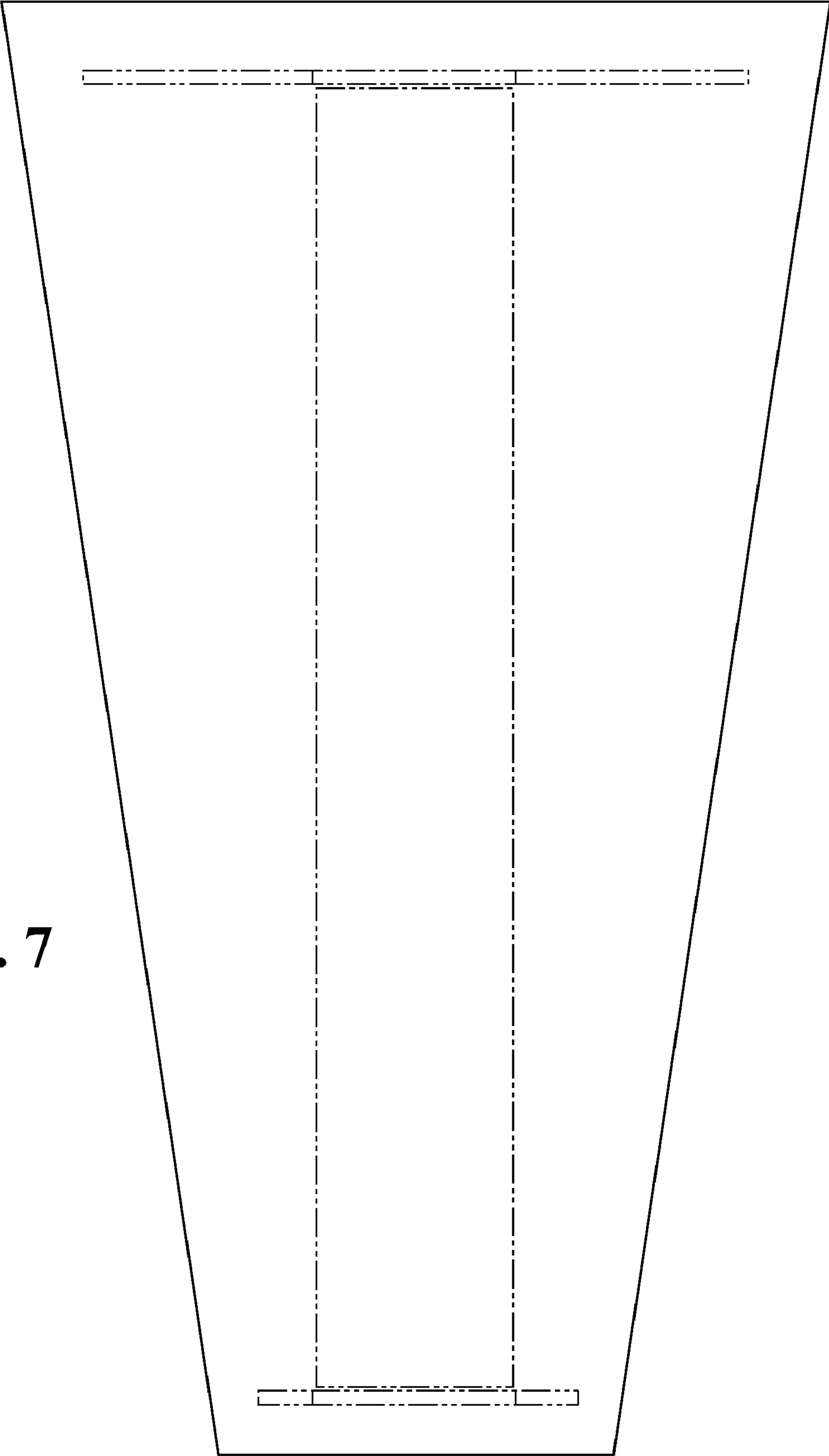
**Fig. 4**



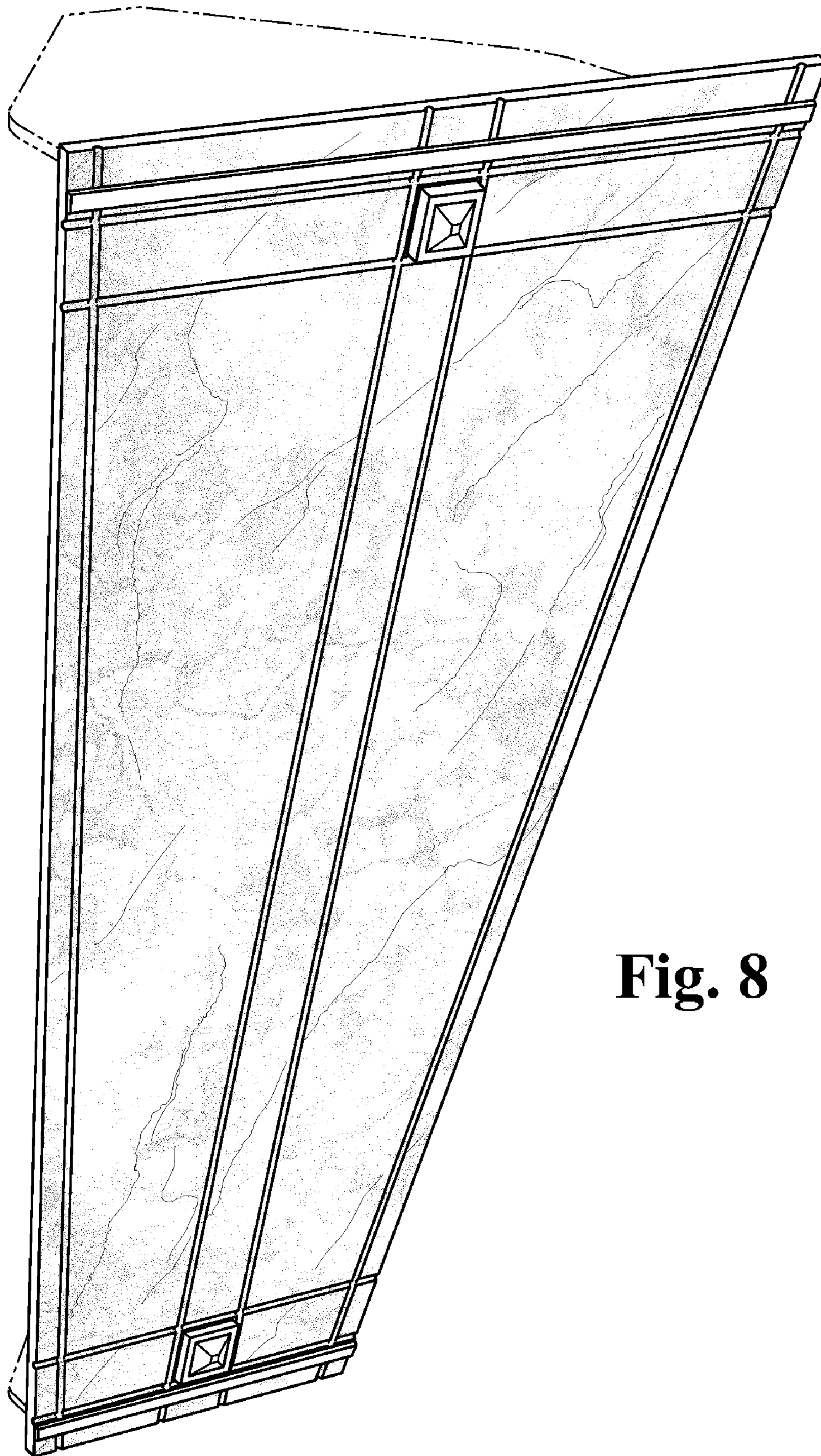
**Fig. 5**



**Fig. 6**

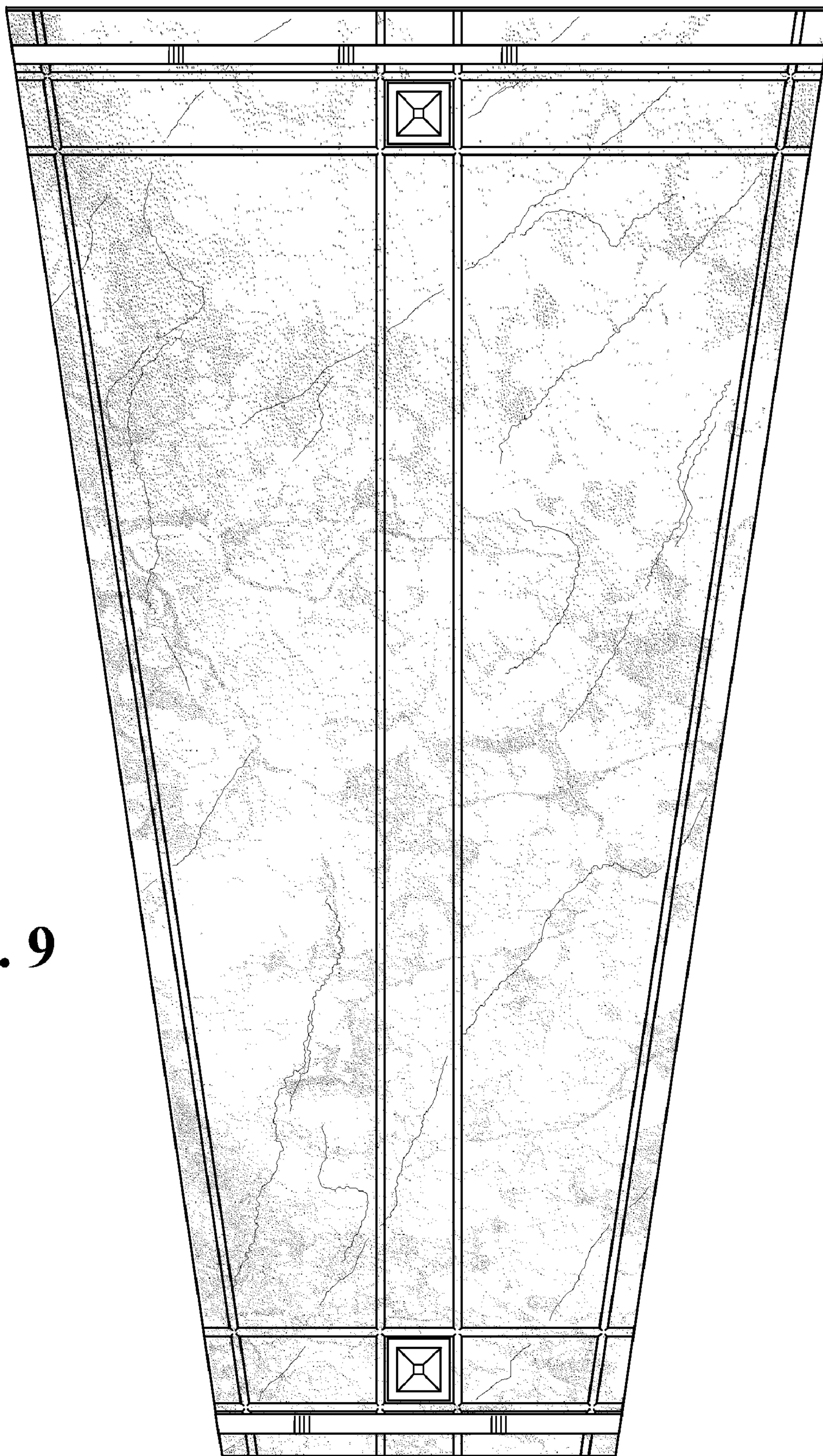


**Fig. 7**

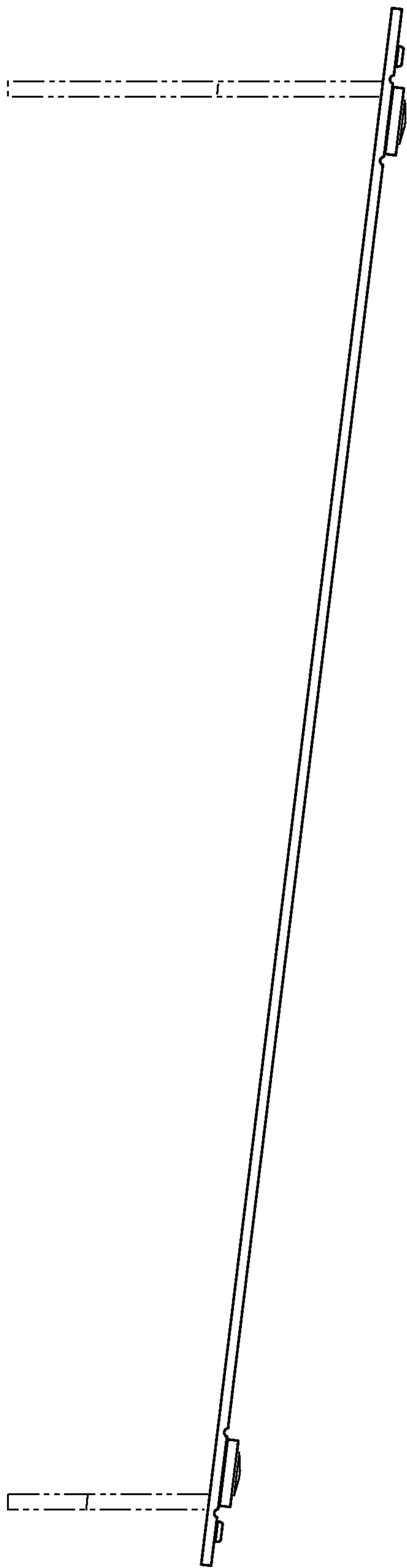


**Fig. 8**

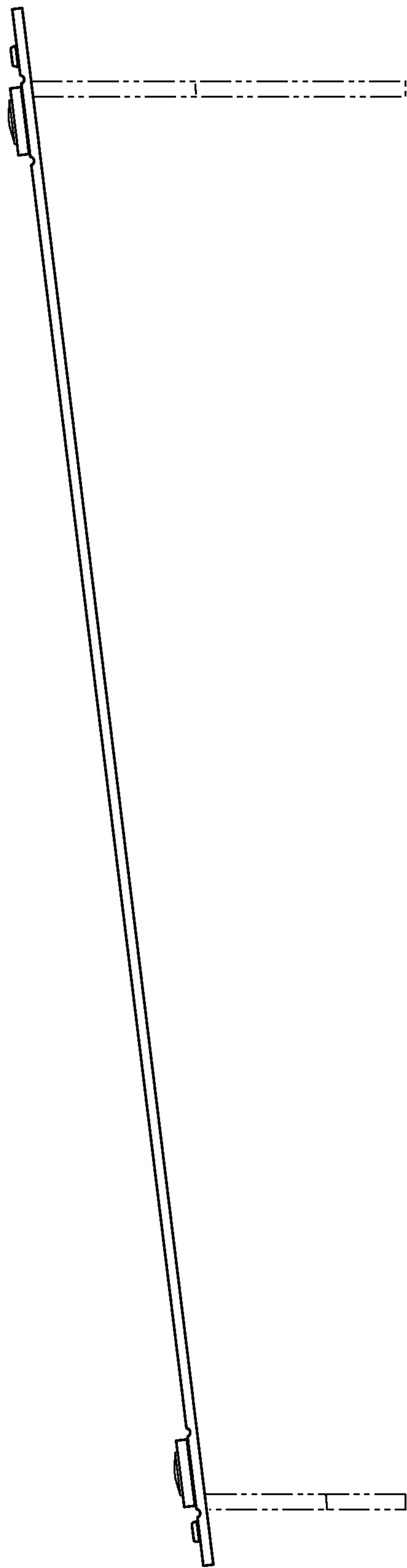




**Fig. 9**



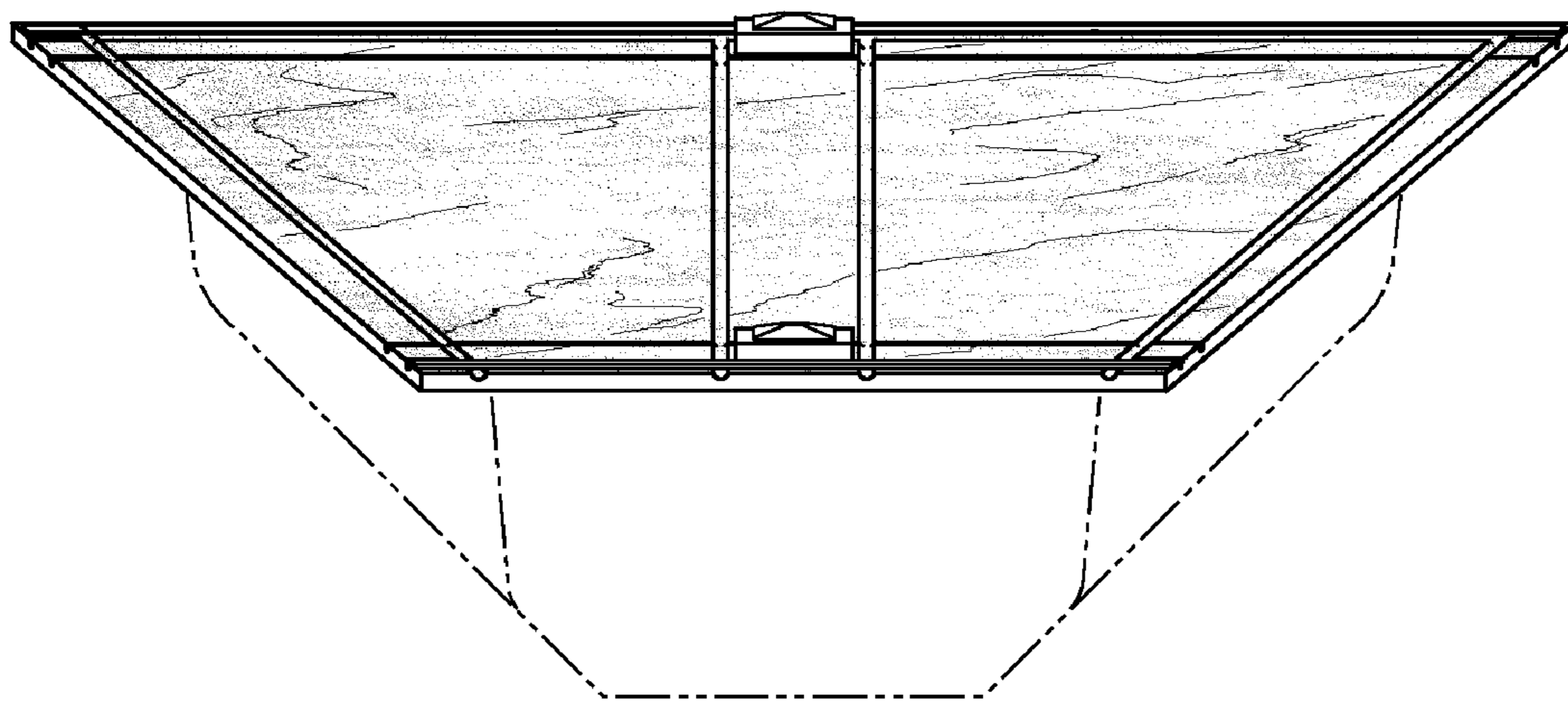
**Fig. 10**



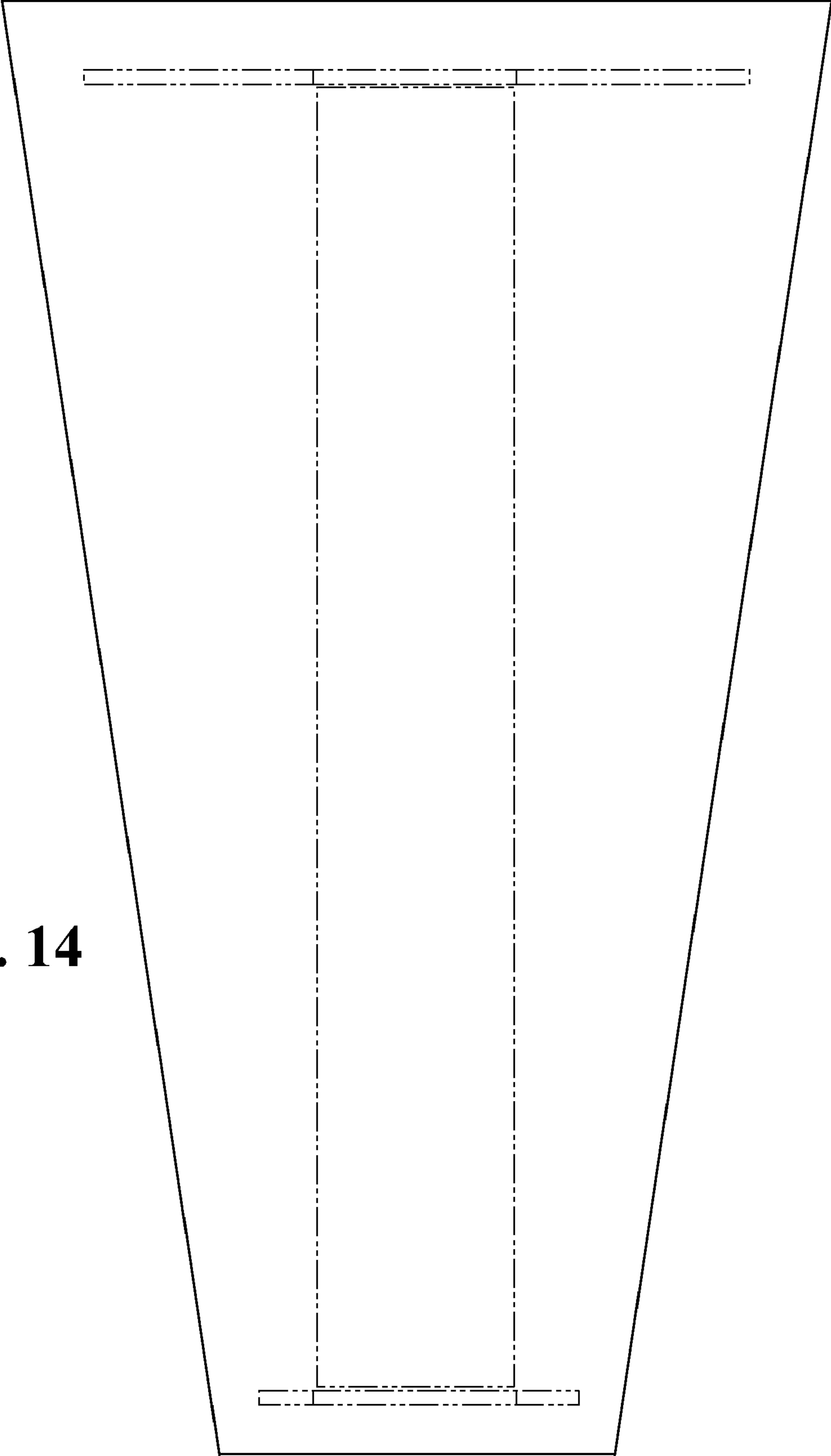
**Fig. 11**



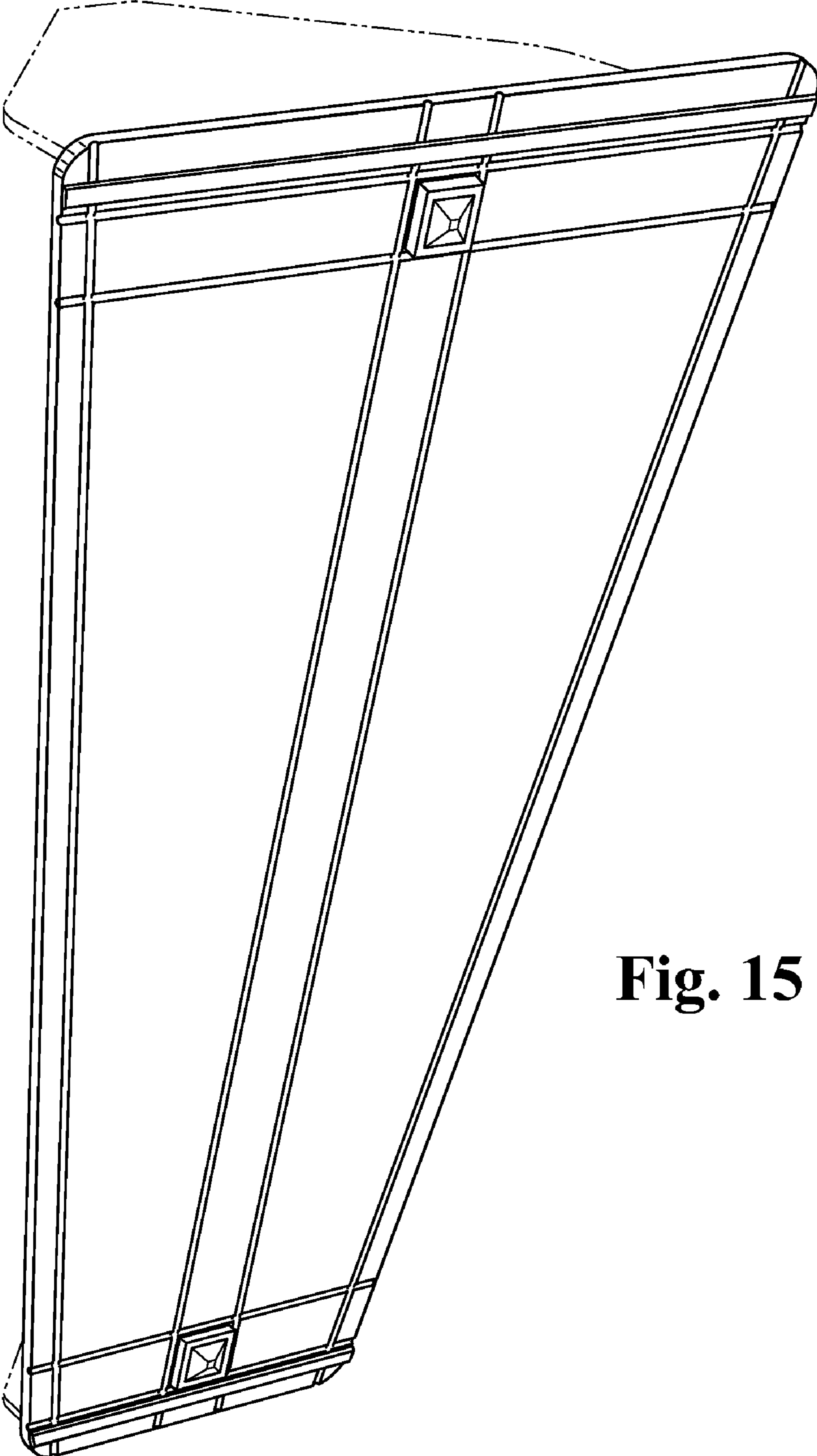
**Fig. 12**



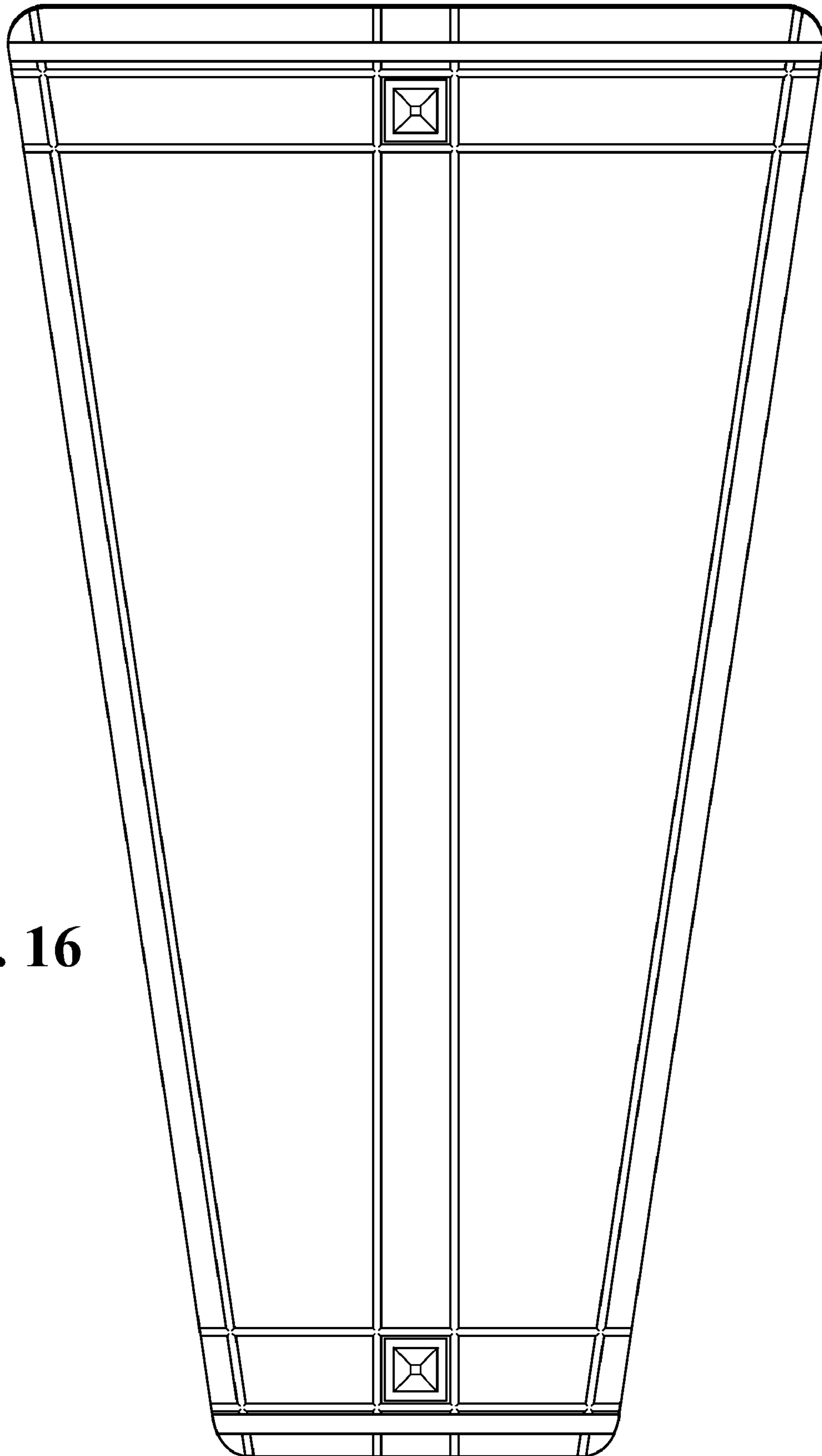
**Fig. 13**



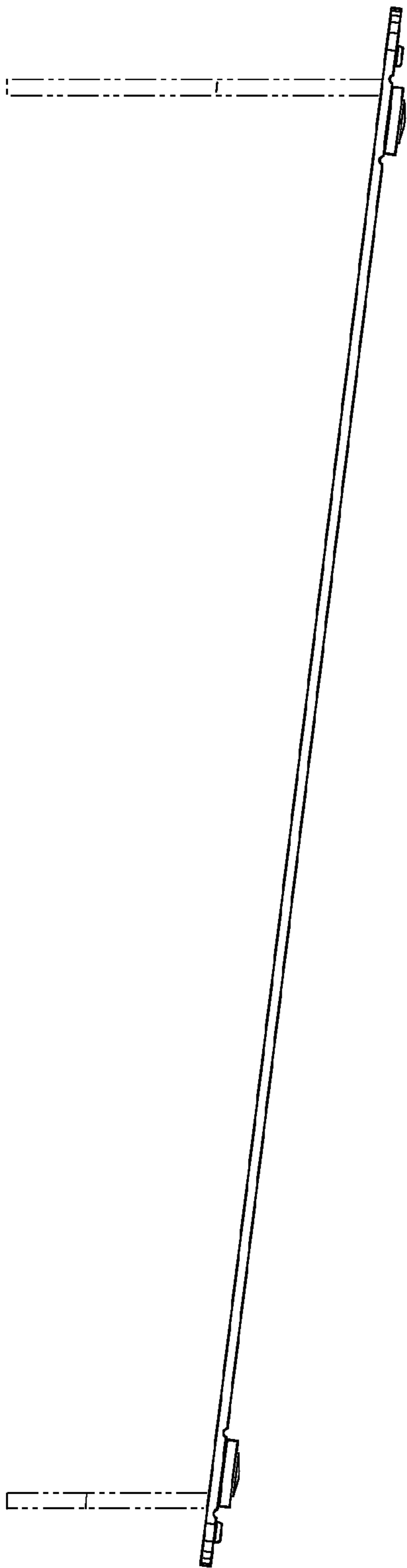
**Fig. 14**



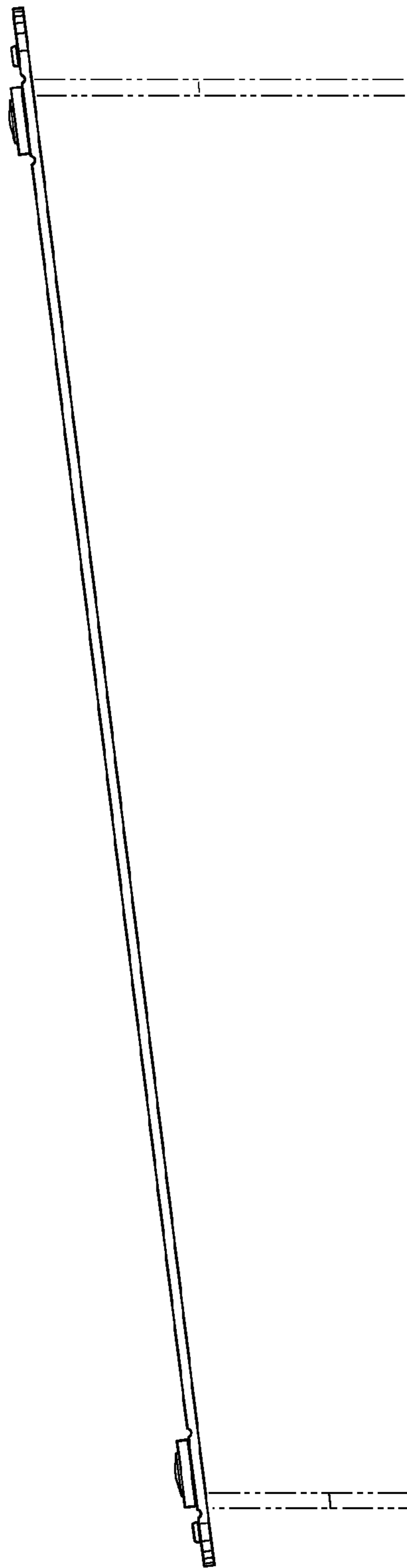
**Fig. 15**



**Fig. 16**



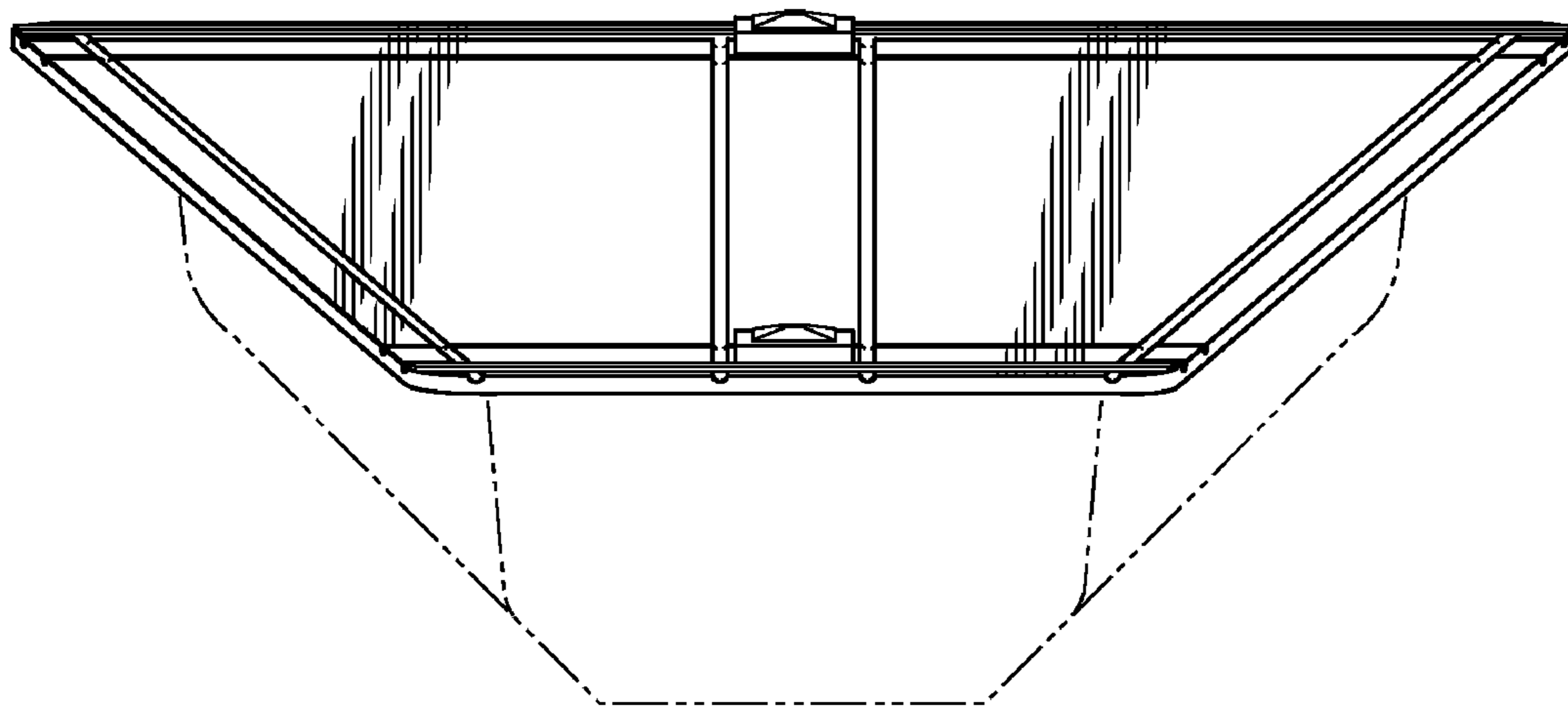
**Fig. 17**



**Fig. 18**

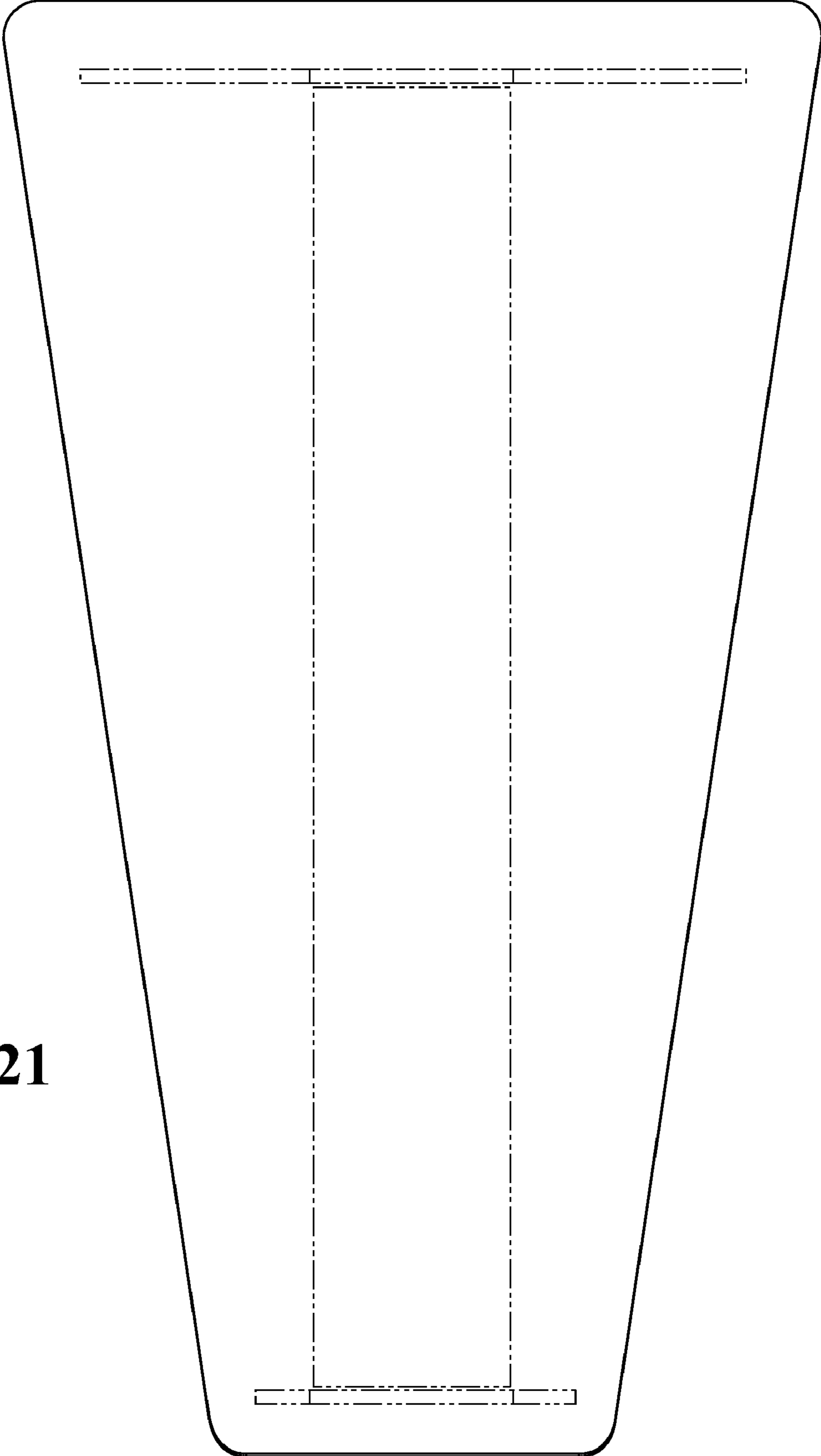


**Fig. 19**

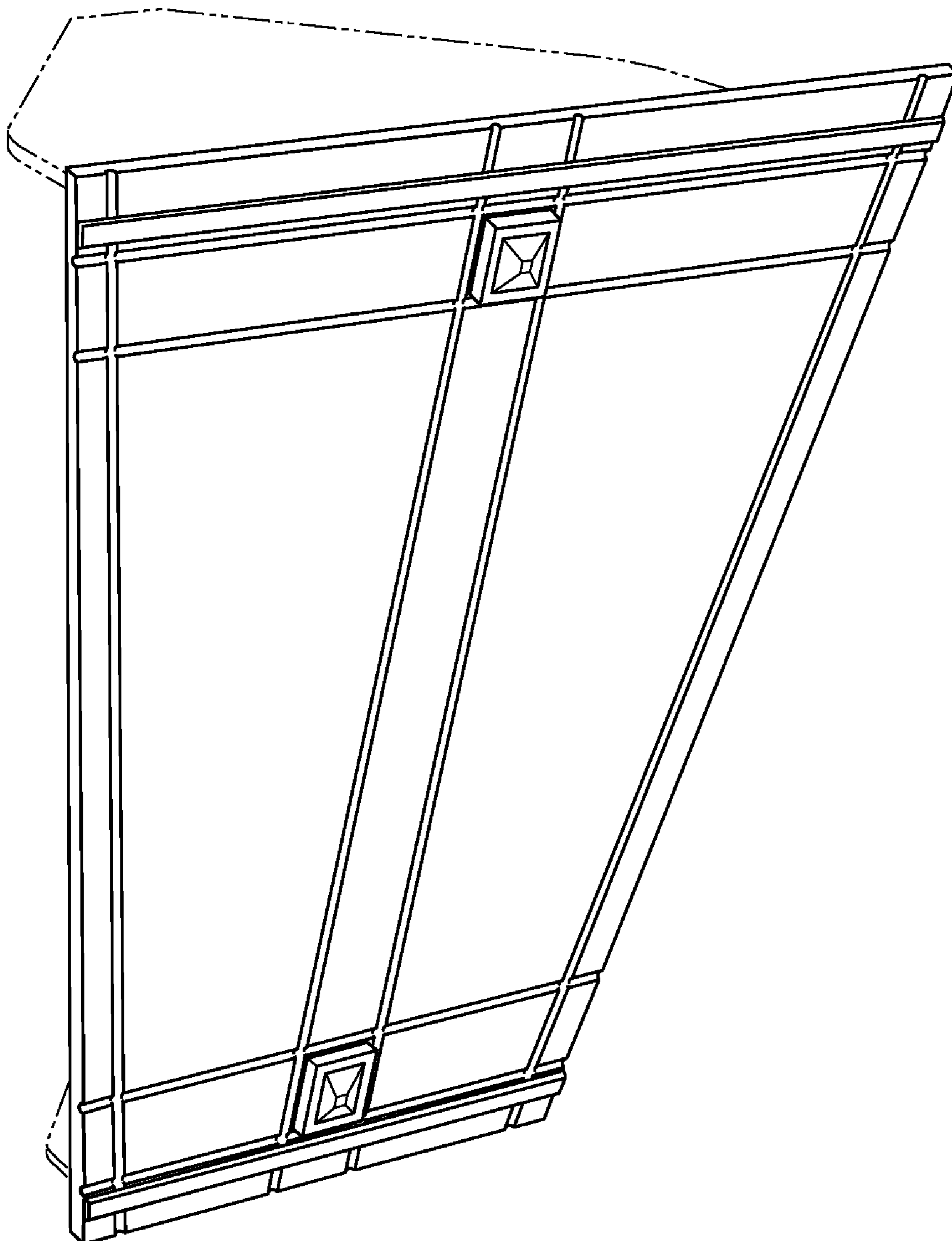


**Fig. 20**

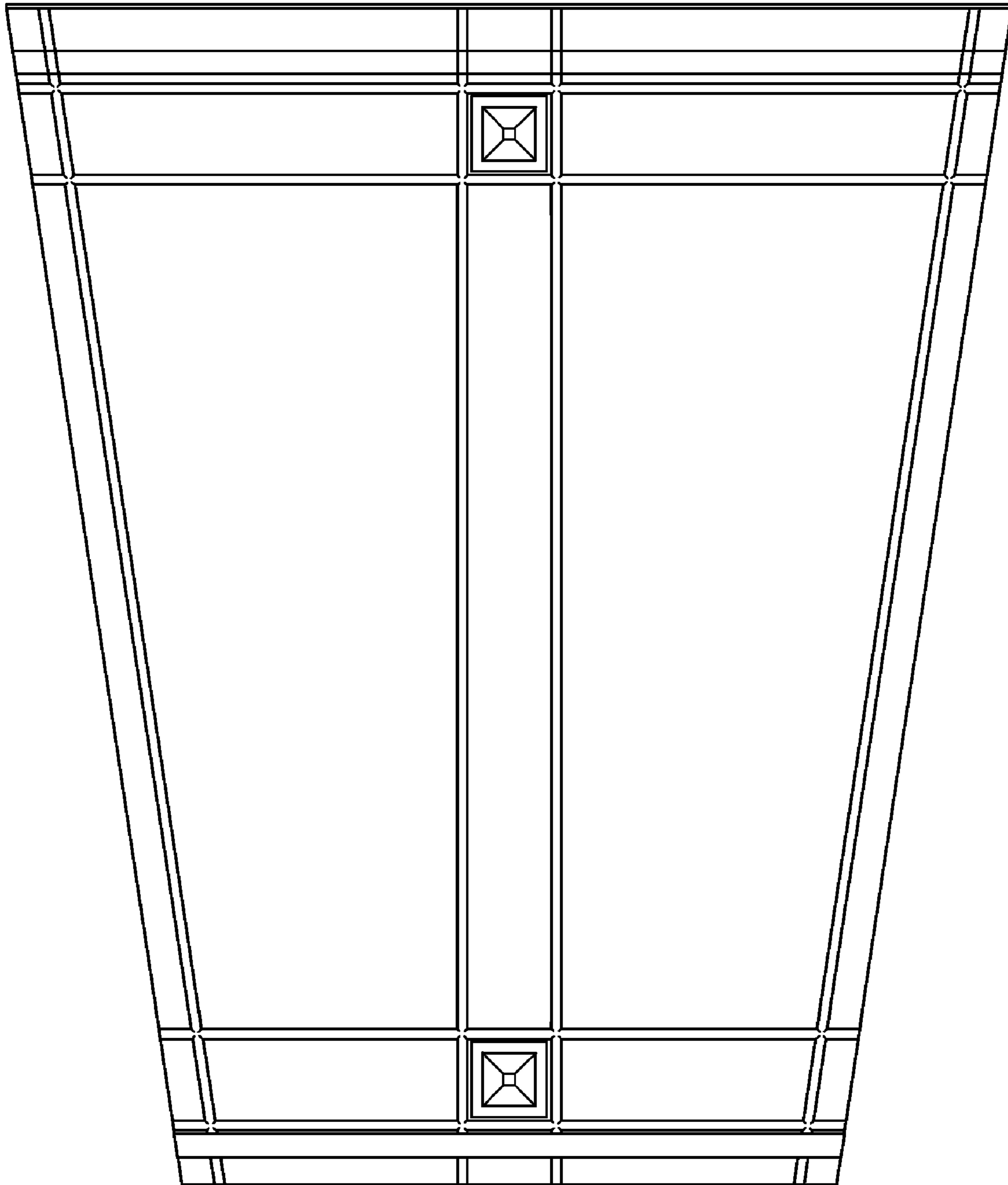




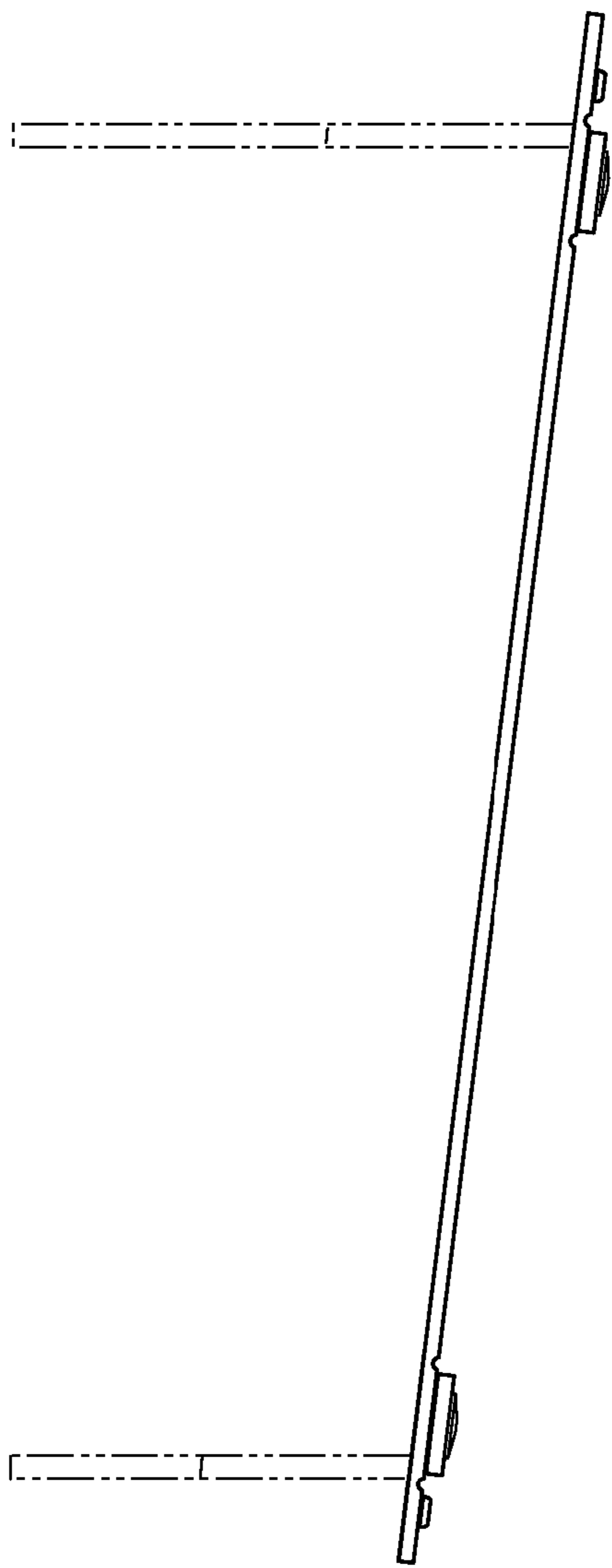
**Fig. 21**



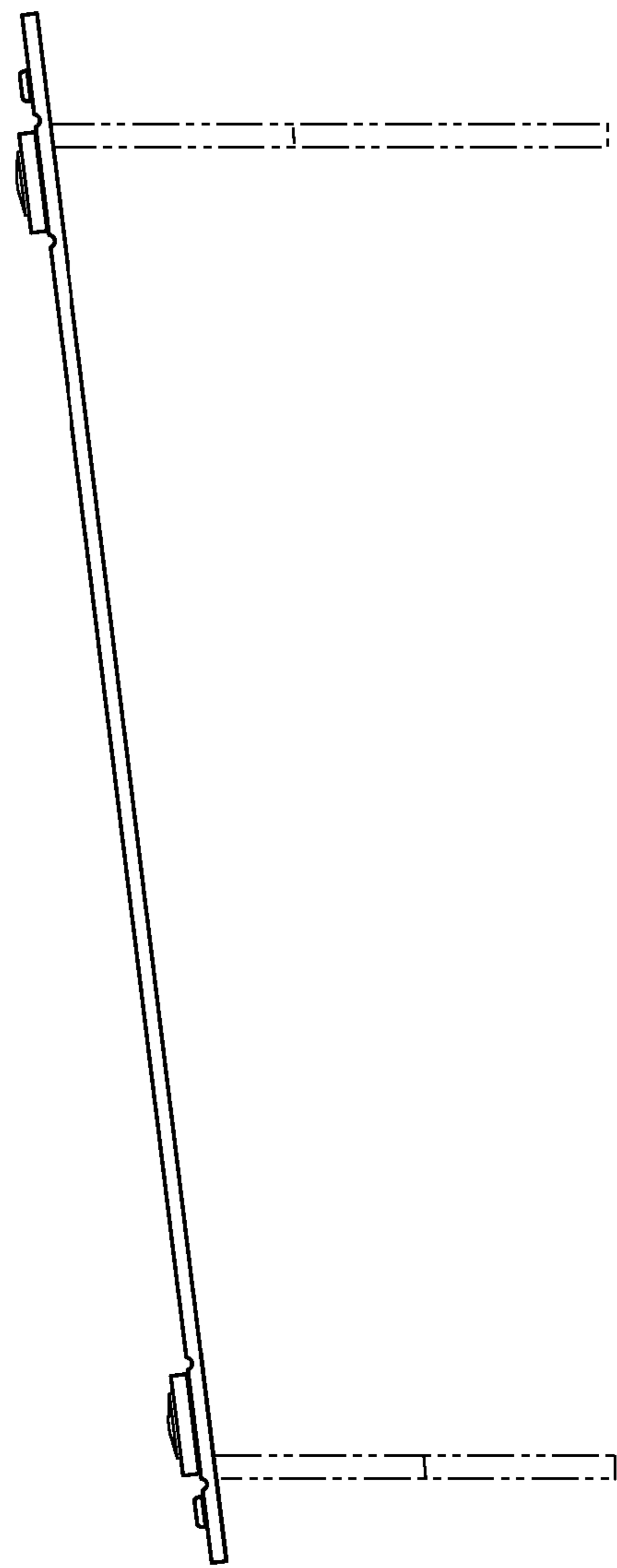
**Fig. 22**



**Fig. 23**



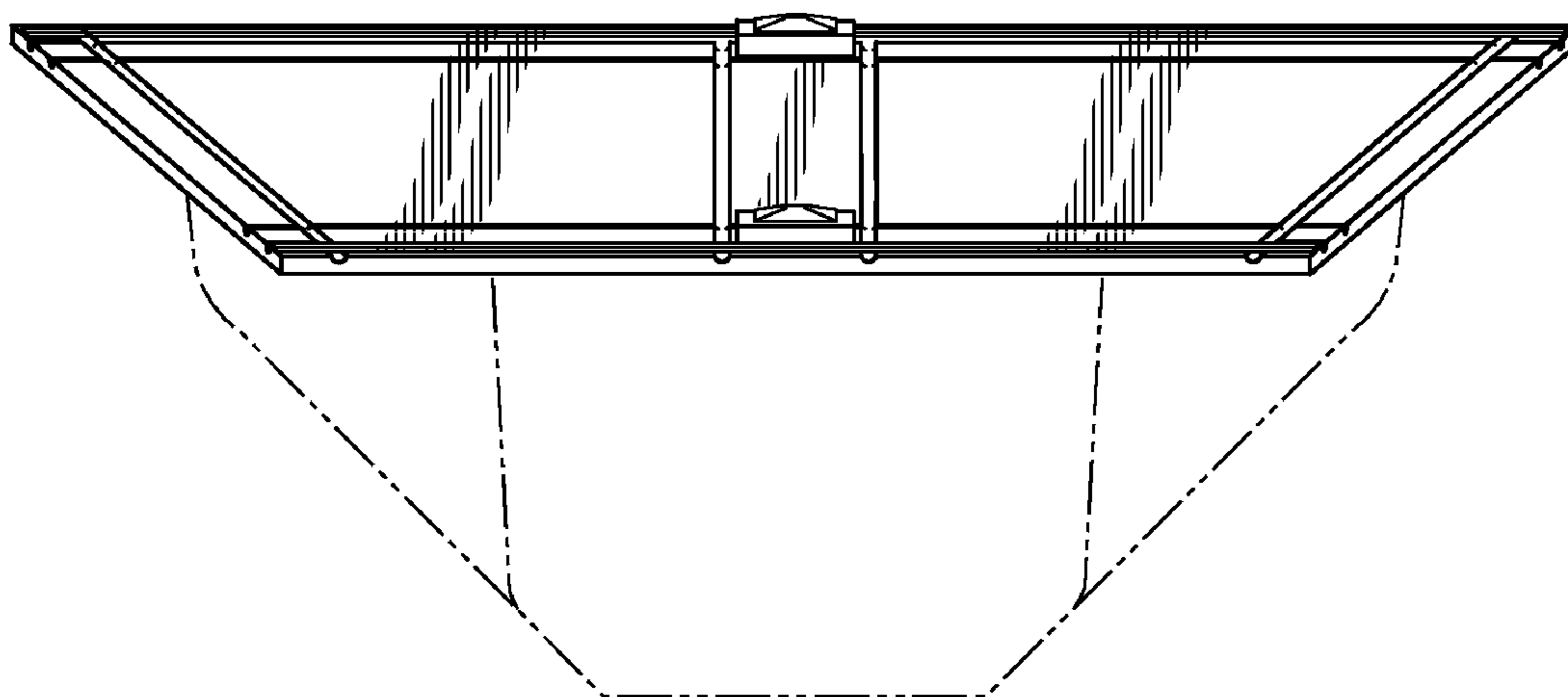
**Fig. 24**



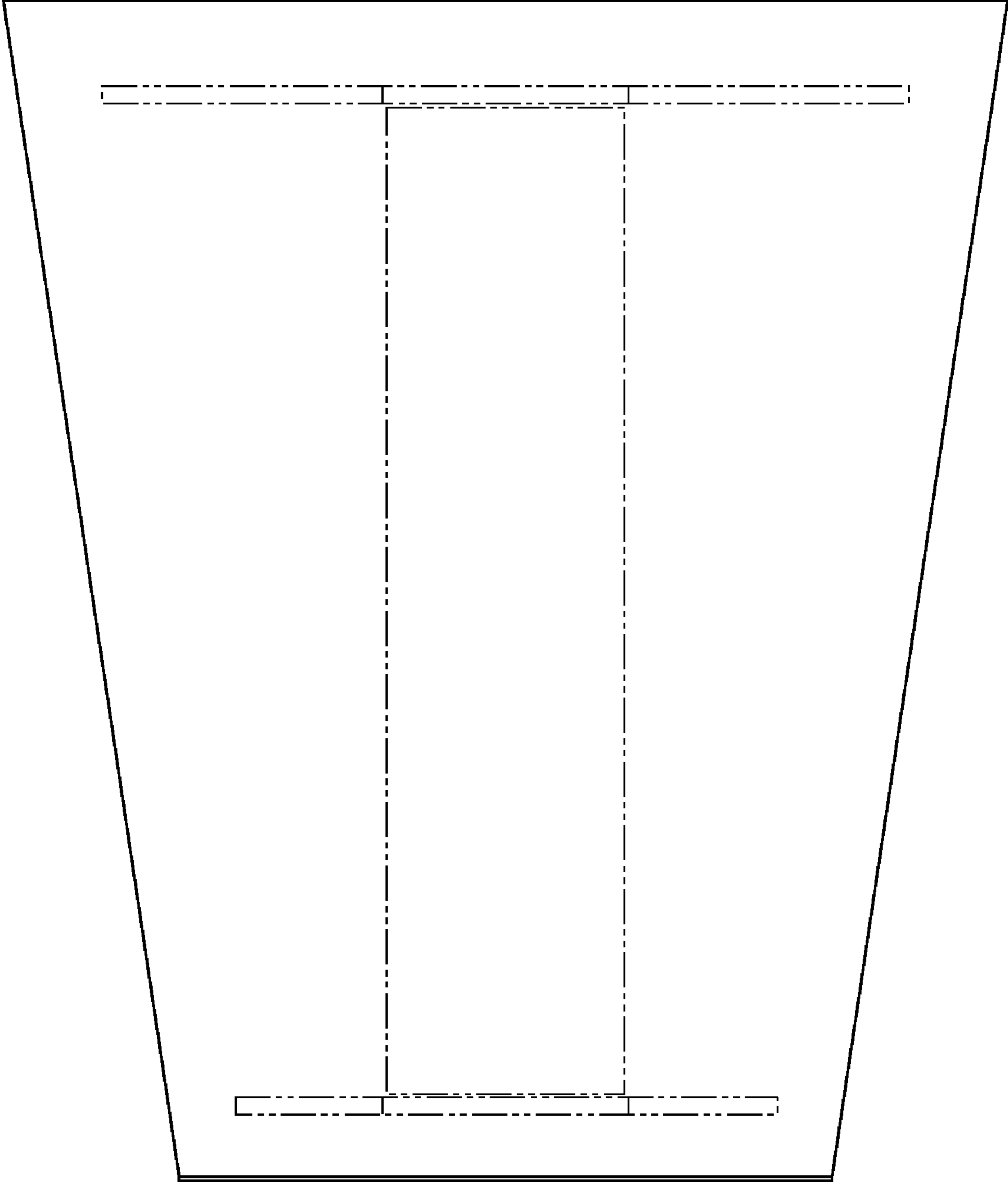
**Fig. 25**



**Fig. 26**



**Fig. 27**



**Fig. 28**