



US00D603086S

(12) **United States Design Patent**  
**Zayas**

(10) **Patent No.:** **US D603,086 S**  
(45) **Date of Patent:** **\*\* Oct. 27, 2009**

(54) **T12 STEP BASE**  
(75) Inventor: **Betty Jean Zayas**, Bridgeport, CT (US)  
(73) Assignee: **Light Sources, Inc.**, Orange, CT (US)  
(\*\*) Term: **14 Years**  
(21) Appl. No.: **29/335,727**  
(22) Filed: **Apr. 21, 2009**

(51) **LOC (9) Cl.** ..... **26-99**  
(52) **U.S. Cl.** ..... **D26/113**  
(58) **Field of Classification Search** ..... D26/135,  
D26/113, 118, 128, 37, 138, 63, 65, 2, 78,  
D26/3, 24, 26, 49, 59, 60, 61, 64, 72, 75,  
D26/79, 93, 129, 130, 132, 133, 134, 136,  
D26/137, 140, 141, 142, 152, 153, 40; D13/136,  
D13/134; 439/242, 241, 239, 236, 232; 362/233,  
362/425, 371, 260, 217, 264, 321, 257, 282,  
362/606, 561, 580, 125, 126, 181, 277, 285,  
362/183, 649, 651, 657, 658, 659, 293, 294,  
362/319, 370, 421, 427; 353/82, 31, 46,  
353/49, 98, 119, 71; 206/591; D16/221,  
D16/228, 230, 232, 231; 250/372  
See application file for complete search history.

(56) **References Cited**

**U.S. PATENT DOCUMENTS**

2,049,152 A 7/1936 Biggs  
2,223,166 A 11/1940 Dazley  
2,229,962 A 1/1941 De Reamer  
2,247,117 A 6/1941 De Reamer  
2,248,598 A 7/1941 Yoder  
2,254,222 A 9/1941 Hubbell et al.  
2,257,786 A 10/1941 Chirelstein  
2,259,915 A 10/1941 Weritz  
2,282,281 A 5/1942 Cavanagh  
2,283,454 A 5/1942 Osterloo  
2,284,376 A 5/1942 Reamer et al.  
2,292,051 A 8/1942 Chirelstein  
2,324,683 A 7/1943 Despard  
2,336,588 A 12/1943 Bixby  
2,356,601 A 8/1944 MacCarthy

2,380,211 A 7/1945 Biller  
2,403,114 A 7/1946 Oday  
2,424,874 A 7/1947 Beals  
2,448,236 A 8/1948 Schneiderman et al.  
D151,314 S \* 10/1948 Adams et al. .... D13/134  
2,505,112 A 4/1950 Hallman

(Continued)

**FOREIGN PATENT DOCUMENTS**

DE 1003354 2/1957

(Continued)

**OTHER PUBLICATIONS**

Sylvania, retrieved online on Apr. 20, 2009 from: <http://www.sylvania.com/ConsumerProducts/LightingForHome/Products/Fluorescent/>.

(Continued)

*Primary Examiner*—Cathron C Brooks  
*Assistant Examiner*—Kevin K Rudzinski  
(74) *Attorney, Agent, or Firm*—Cantor Colburn LLP

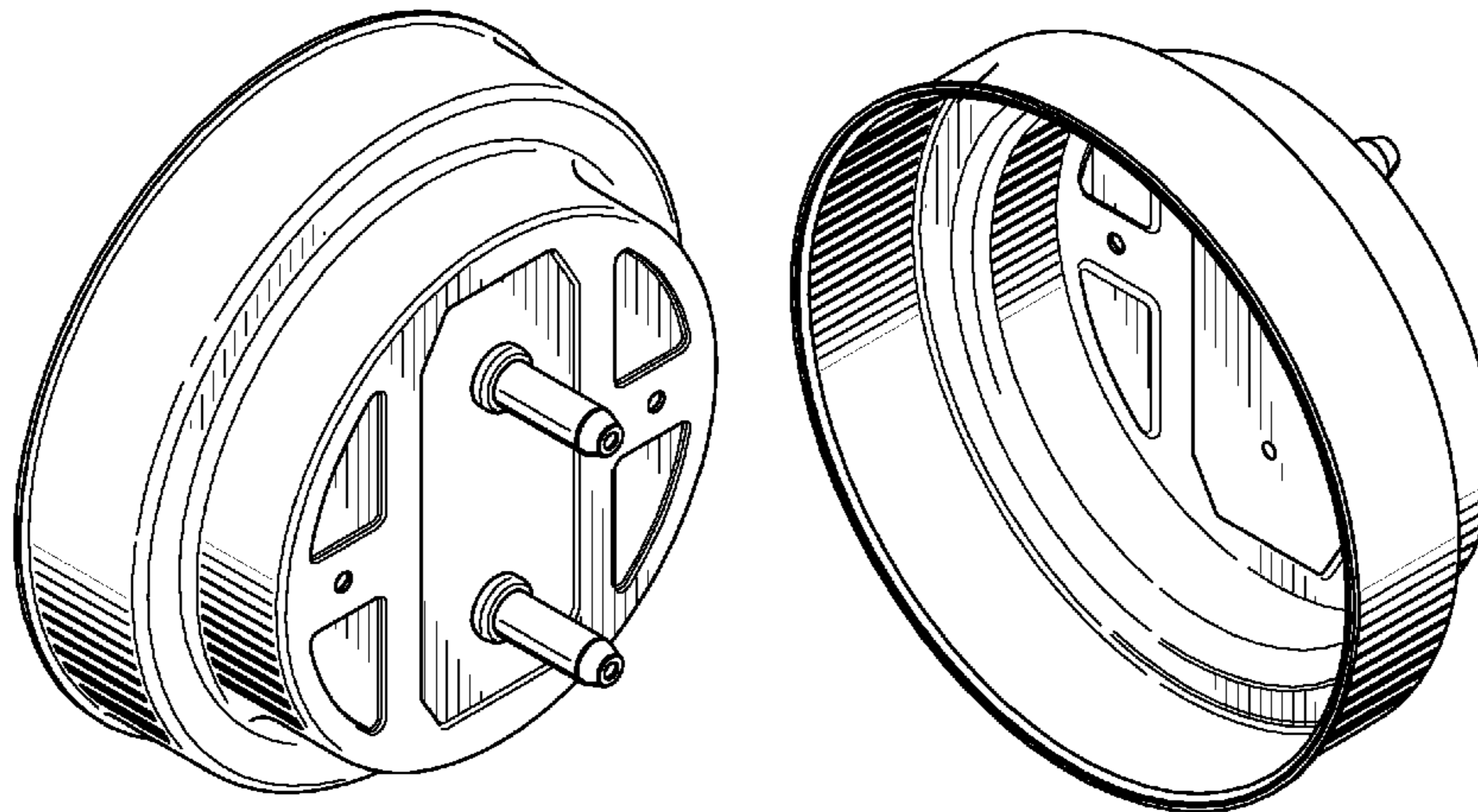
(57) **CLAIM**

The ornamental design for a T12 step base, as shown and described.

**DESCRIPTION**

FIG. 1 is a front perspective view of a T12 step base;  
FIG. 2 is a rear perspective view of FIG. 1;  
FIG. 3 is a front view of FIG. 1;  
FIG. 4 is a bottom view of FIG. 1;  
FIG. 5 is a rear view of FIG. 1;  
FIG. 6 is a side view of FIG. 1.;  
FIG. 7 is a cross sectional view along line 7—7 of FIG. 3; and,  
FIG. 8 is a cross sectional view along line 8—8 of FIG. 3.

**1 Claim, 4 Drawing Sheets**



U.S. PATENT DOCUMENTS

2,505,775	A	5/1950	Hubbell	
2,507,898	A	5/1950	Gaynor et al.	
2,522,044	A	9/1950	Kelman	
2,533,734	A	12/1950	Kelman	
2,569,662	A	10/1951	Fallek	
2,888,657	A	5/1959	Green	
2,918,645	A	12/1959	Krupp	
3,245,025	A	4/1966	Goddard et al.	
3,559,151	A	1/1971	Gaynor	
3,651,445	A	3/1972	Francis	
3,713,074	A	1/1973	Pasbrig	
3,781,759	A	12/1973	Shelly, Jr.	
4,191,443	A *	3/1980	Doyle .....	439/462
4,275,325	A	6/1981	Guim	
4,306,758	A	12/1981	Johnson et al.	
4,326,146	A	4/1982	Plagge et al.	
D275,948	S *	10/1984	Vakil .....	D13/135
4,758,173	A	7/1988	Northrop	
5,422,487	A	6/1995	Sauska et al.	
5,565,685	A	10/1996	Czako et al.	
D387,730	S *	12/1997	McCarthy .....	D13/133
5,727,869	A	3/1998	Crosby et al.	
5,816,837	A	10/1998	Henrici et al.	
5,904,415	A	5/1999	Robertson et al.	
D421,138	S *	2/2000	Kato et al. ....	D26/3
6,100,638	A	8/2000	Shah	
6,290,522	B1	9/2001	Campolo et al.	
D452,343	S *	12/2001	Pan .....	D26/138
D481,471	S *	10/2003	Farmer .....	D26/3
6,632,100	B1	10/2003	Richardson	
D506,979	S	7/2005	Wiskerke	
D513,079	S *	12/2005	Kluijfhout et al. ....	D26/3
D514,515	S *	2/2006	Wiskerke .....	D13/134
D514,516	S *	2/2006	Wiskerke .....	D13/134
D516,511	S *	3/2006	Wiskerke .....	D13/134
7,052,171	B1	5/2006	Lefebvre et al.	
7,097,327	B1	8/2006	Barton	
D546,762	S *	7/2007	Kovacs .....	D13/134
D546,765	S	7/2007	Ciancanelli et al.	
2005/0202704	A1	9/2005	Lingemann et al.	
2006/0126325	A1 *	6/2006	Lefebvre et al. ....	362/217

FOREIGN PATENT DOCUMENTS

DE	972600	8/1959
DE	19635822	3/1998
EP	572733	12/1993
EP	1602876	12/2005
EP	1 658 864	5/2006
FR	652246	3/1929
FR	861495	2/1941
FR	863722	4/1941
FR	873794	7/1942
FR	900674	7/1945

FR	2611319	6/1988
FR	2652147	3/1991
FR	2783104	3/2000
FR	2806542	9/2001
GB	536336	5/1941
GB	537886	7/1941
GB	540355	10/1941
GB	578701	7/1946
GB	581097	10/1946
GB	591244	8/1947
GB	591676	8/1947
GB	623999	5/1949
GB	626834	9/1949
GB	630143	10/1949
GB	688920	3/1953
GB	851469	10/1960
GB	861198	2/1961
GB	905055	9/1962
GB	986136	3/1965
JP	3276585	12/1991
JP	4087173	3/1992
JP	4137433	5/1992
JP	4357688	12/1992
JP	7272808	10/1995
JP	8129907	5/1996
JP	9115627	5/1997
JP	9148014	6/1997
JP	10275664	10/1998
JP	2004288406	10/2004
WO	2002011250	2/2002
WO	2004095503	11/2004

OTHER PUBLICATIONS

GE Lighting, "Linear Fluorescent," retrieved online on Apr. 20, 2009 from: [http://genet.gelighting.com/LightProducts/Dispatcher?REQUEST=CATEGORYPAGE&PRODUCTLINE=Lamps\\_Linear%20Fluorescent&CHANNEL=Commercial](http://genet.gelighting.com/LightProducts/Dispatcher?REQUEST=CATEGORYPAGE&PRODUCTLINE=Lamps_Linear%20Fluorescent&CHANNEL=Commercial).

GE Lighting, "Fluorescent Tubes," retrieved online on Apr. 20, 2009 from: <http://genet.gelighting.com/LightProducts/Dispatcher?REQUEST=APPLICATIONSSUBPAGE&CHANNEL=Consumer&APPLICATION=Fluorescent&CATEGORY=Lamps>.

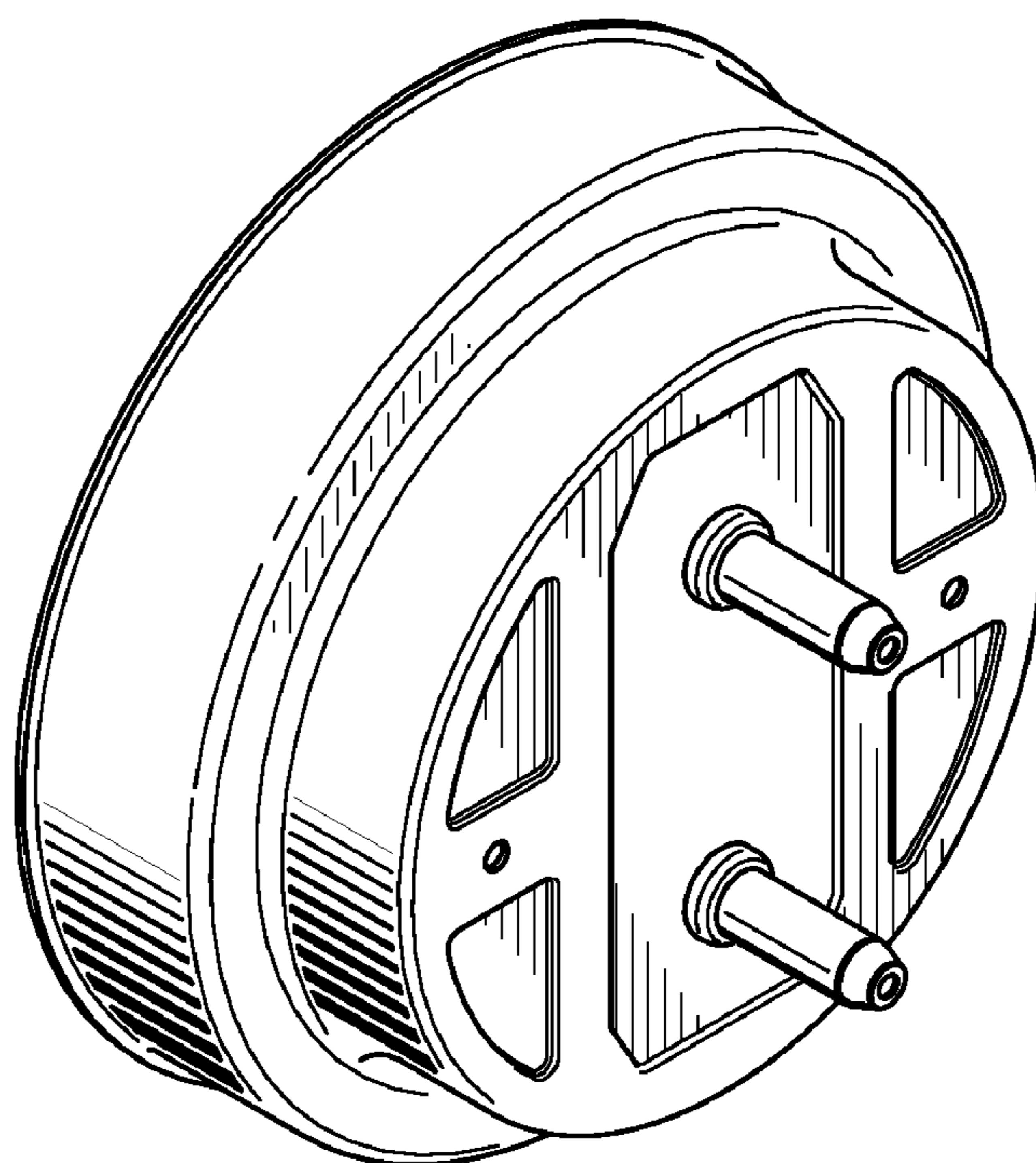
GE Lighting, "Germicidal," retrieved online on Apr. 20, 2009 from: [http://genet.gelighting.com/LightProducts/Dispatcher?REQUEST=RESULTPAGE&CHANNEL=Commercial&CATEGORY=Lamps&FILTER=FT0010:Specialty\\_Special%20Feature\\_Germicidal&BREADCRUMB=Specialty%20Germicidal](http://genet.gelighting.com/LightProducts/Dispatcher?REQUEST=RESULTPAGE&CHANNEL=Commercial&CATEGORY=Lamps&FILTER=FT0010:Specialty_Special%20Feature_Germicidal&BREADCRUMB=Specialty%20Germicidal).

McMaster-Carr, "Light Bulbs," retrieved online on Apr. 20, 2009 from: <http://www.mcmaster.com/#light-bulbs/=1jilj7>.

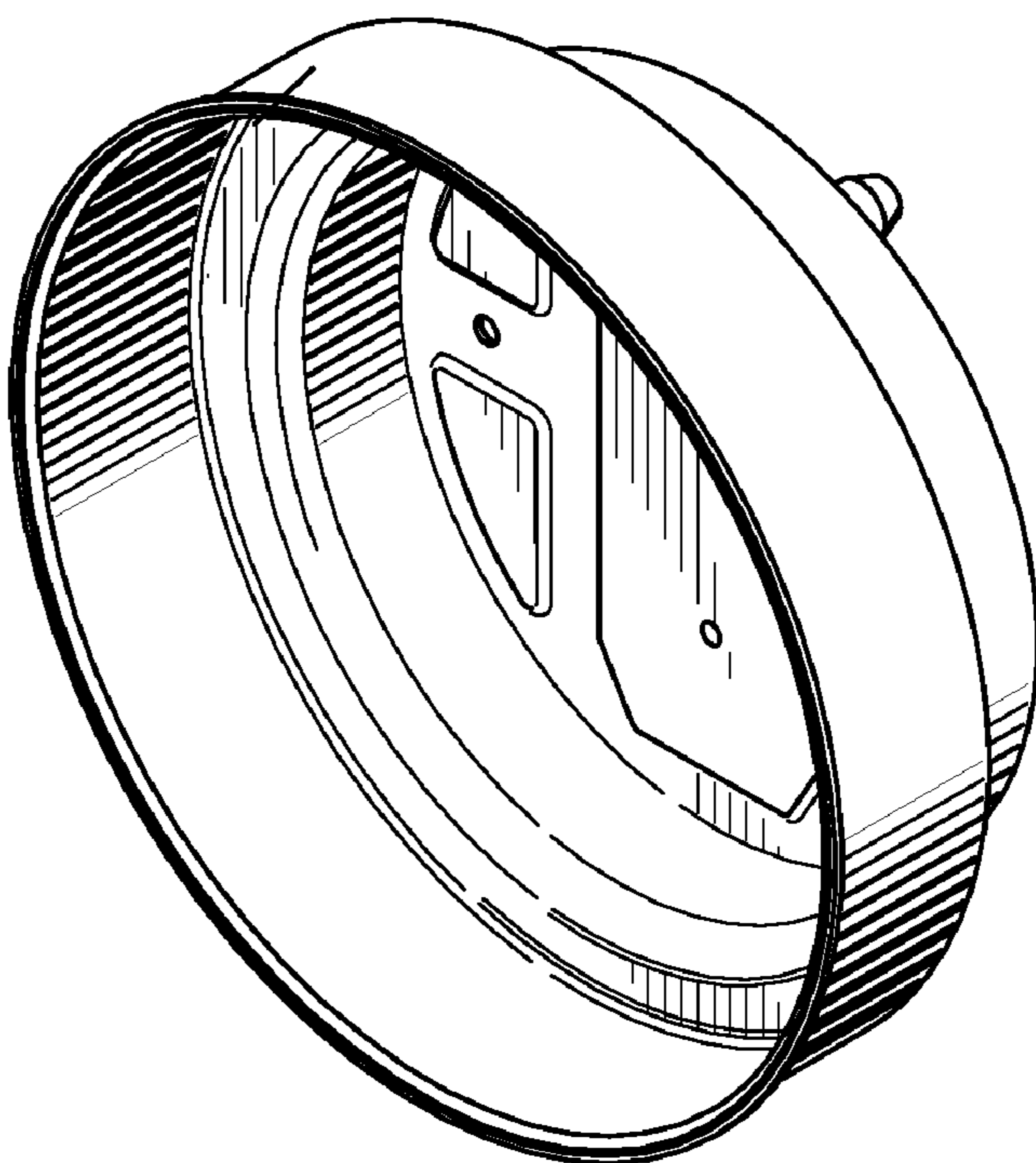
McMaster-Carr, "Light Bulbs" retrieved online on Apr. 20, 2009 from: <http://www.mcmaster.com/#light-bulbs/=1jilz1>.

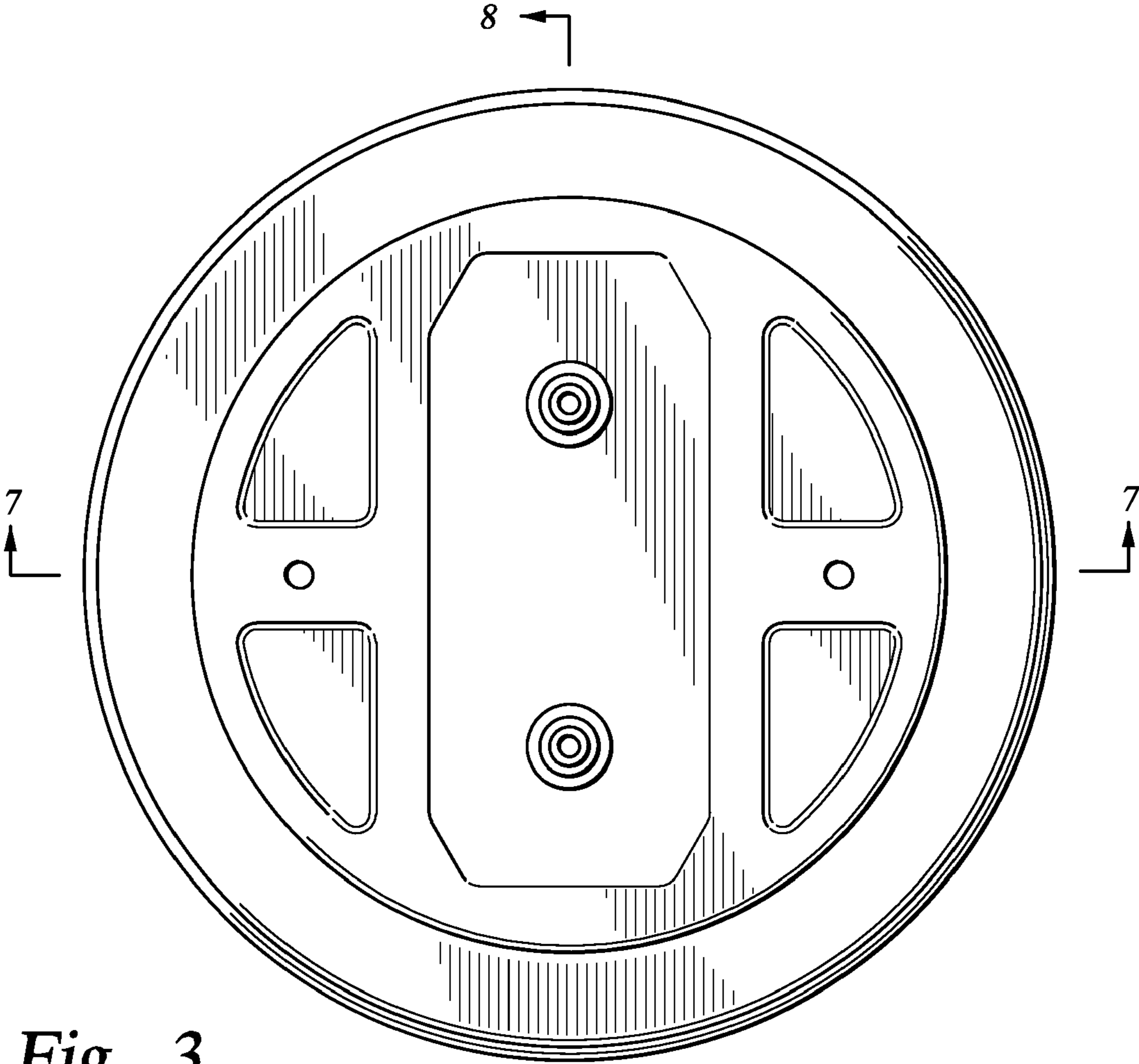
\* cited by examiner

*Fig. 1*

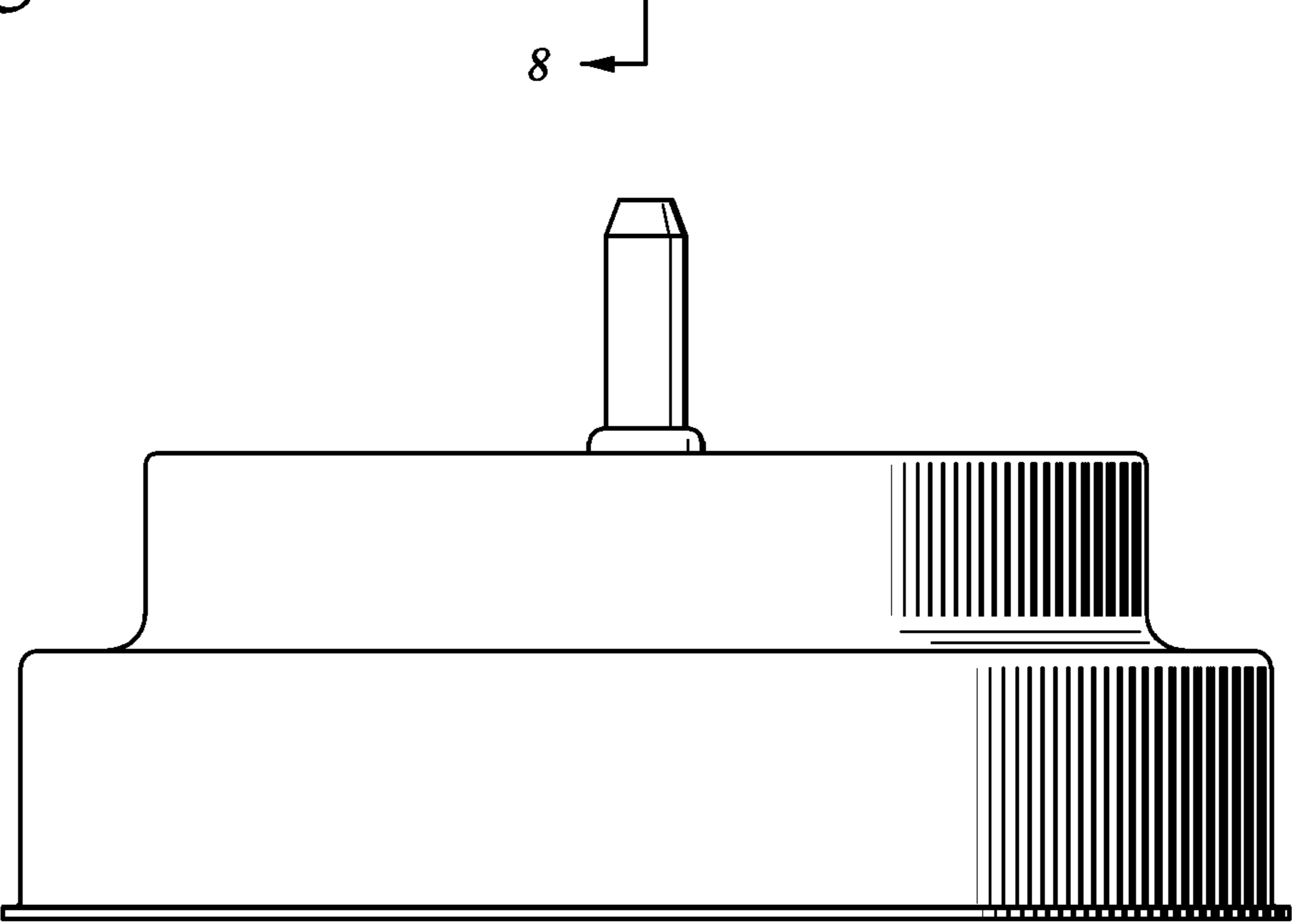


*Fig. 2*

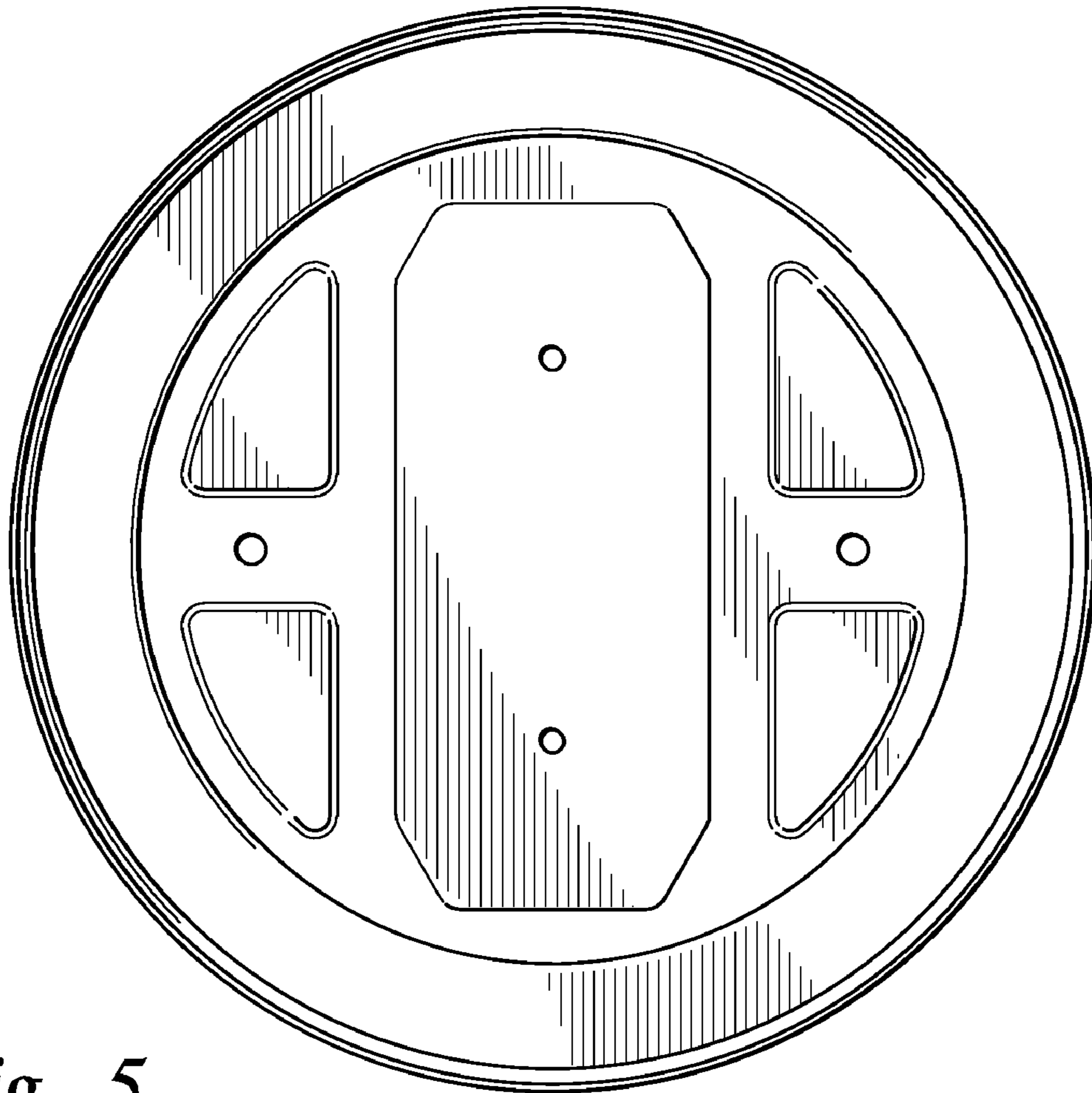




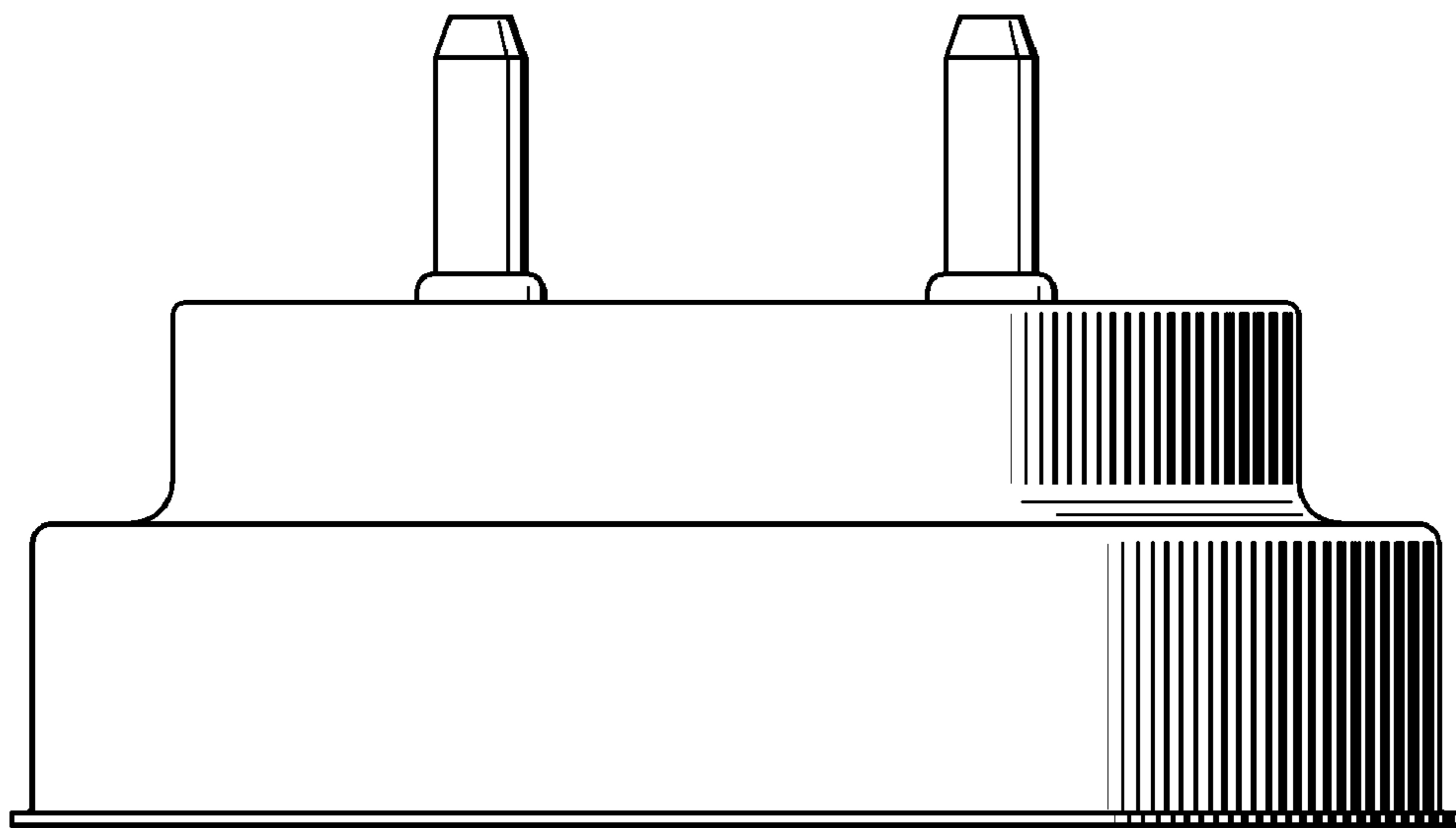
*Fig. 3*



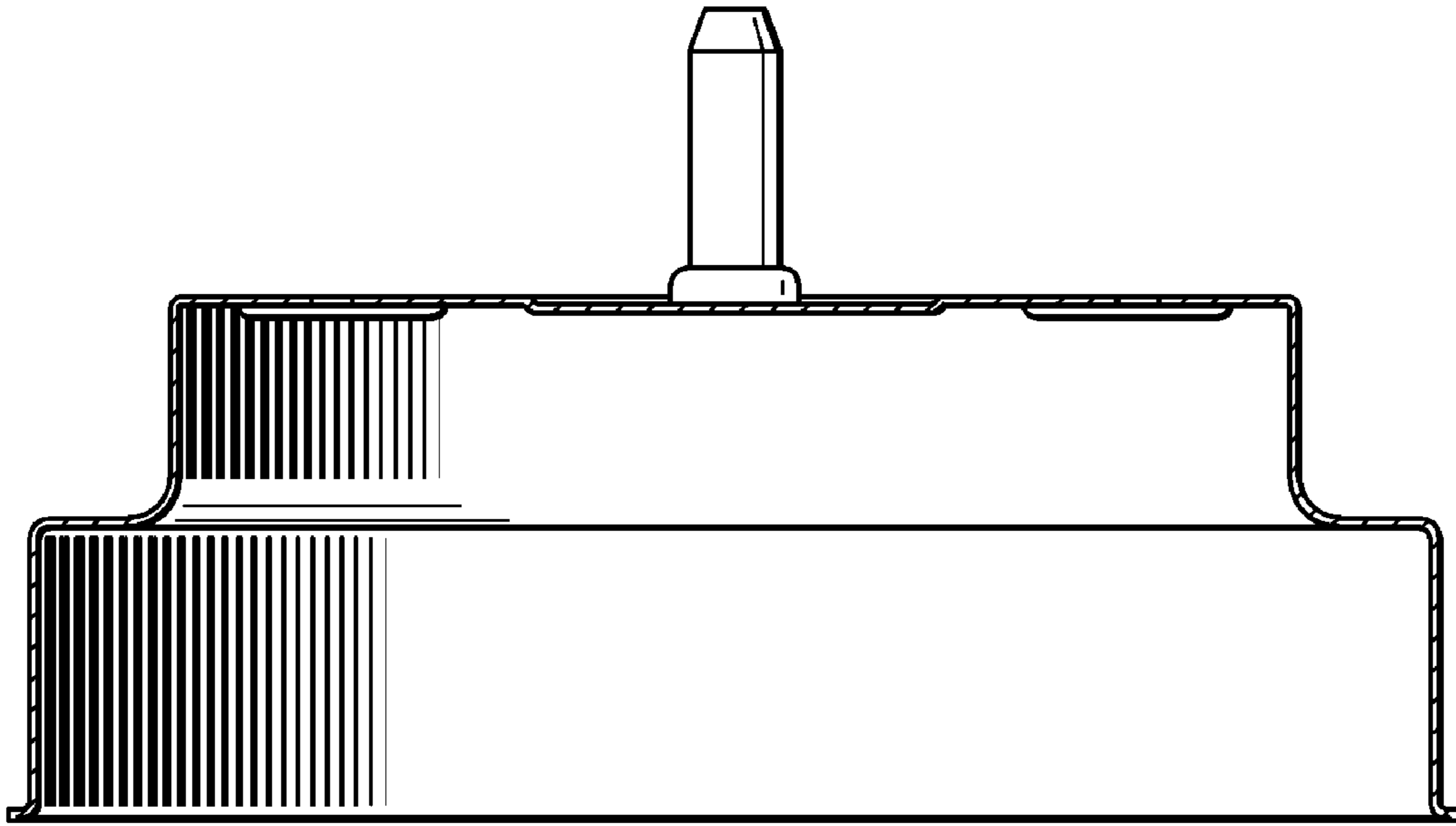
*Fig. 4*



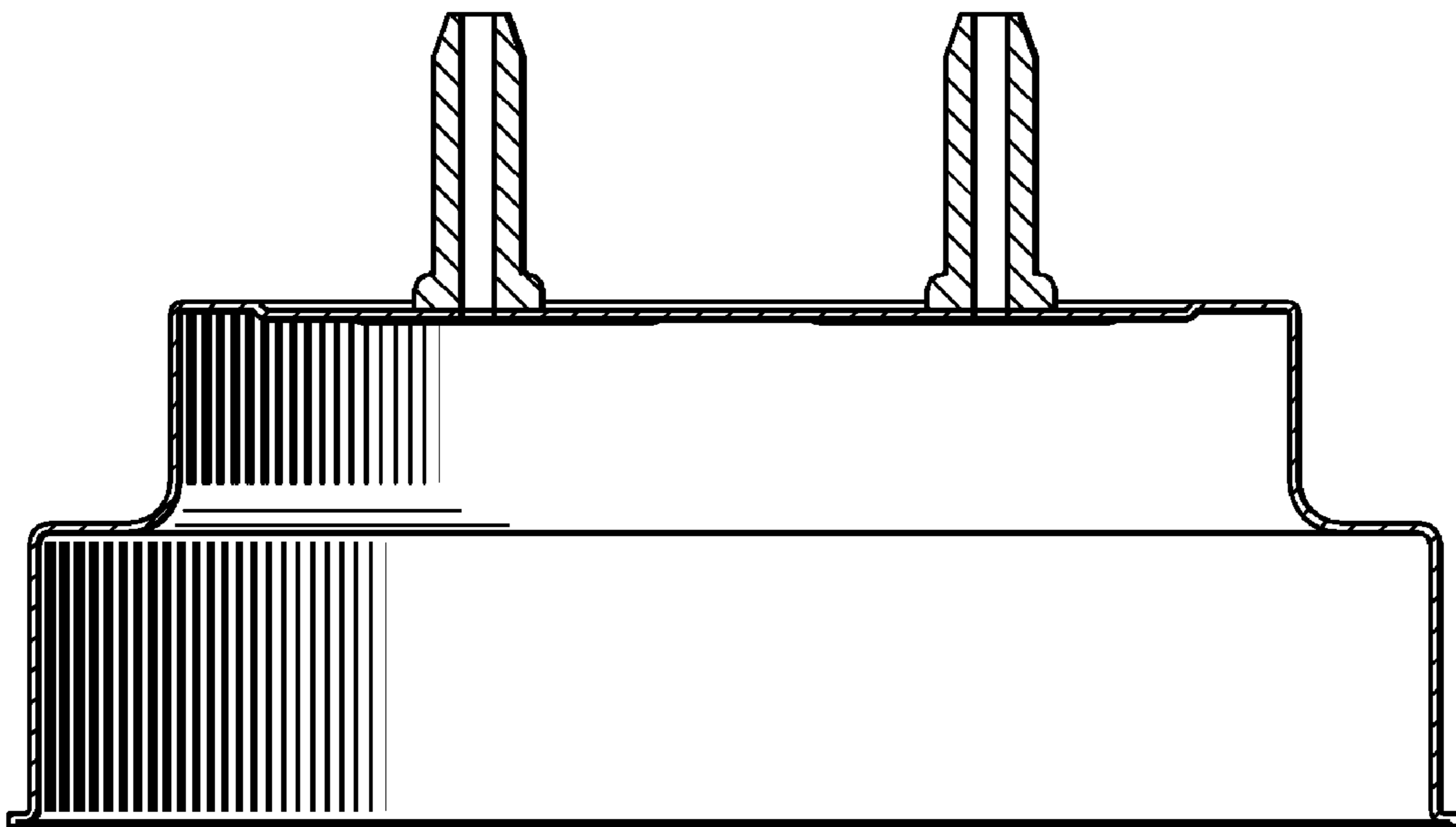
*Fig. 5*



*Fig. 6*



*Fig. 7*



*Fig. 8*