



US00D603085S

(12) **United States Design Patent**
Kovacs et al.

(10) **Patent No.:** **US D603,085 S**
(45) **Date of Patent:** **** Oct. 27, 2009**

(54) **BASE ADAPTER**

(75) Inventors: **George Kovacs**, Wallingford, CT (US);
Betty Jean Zayas, Bridgeport, CT (US);
Arpad D. Kolbe, Orange, CT (US)

(73) Assignee: **Light Sources, Inc.**, Orange, CT (US)

(**) Term: **14 Years**

(21) Appl. No.: **29/334,120**

(22) Filed: **Mar. 20, 2009**

(51) **LOC (9) Cl.** **26-99**

(52) **U.S. Cl.** **D26/113**

(58) **Field of Classification Search** D26/135,
D26/113, 118, 128, 37, 138, 63, 65, 2, 78,
D26/3, 24, 26, 49, 59, 60, 61, 64, 72, 75,
D26/79, 93, 129, 130, 132, 133, 134, 136,
D26/137, 140, 141, 142, 152, 153, 40; D13/136,
D13/134; 439/242, 241, 239, 236, 232; 362/233,
362/425, 371, 260, 217, 264, 321, 257, 282,
362/606, 561, 580, 125, 126, 181, 277, 285,
362/183, 649, 651, 657, 658, 659, 293, 294,
362/319, 370, 421, 427; 353/82, 31, 46,
353/49, 98, 119, 71; 206/591; D16/221,
D16/228, 230, 232, 231; 250/372

See application file for complete search history.

(56) **References Cited**

U.S. PATENT DOCUMENTS

D151,314 S * 10/1948 Adams et al. D13/134

4,191,443 A * 3/1980 Doyle 439/462
D275,948 S * 10/1984 Vakil D13/135
D387,730 S * 12/1997 McCarthy D13/133
D421,138 S * 2/2000 Kato et al. D26/3
D452,343 S * 12/2001 Pan D26/138
D481,471 S * 10/2003 Farmer D26/3
D513,079 S * 12/2005 Kluijfhout et al. D26/3
D514,515 S * 2/2006 Wiskerke D13/134
D514,516 S * 2/2006 Wiskerke D13/134
D516,511 S * 3/2006 Wiskerke D13/134
D546,762 S * 7/2007 Kovacs D13/134
2006/0126325 A1 * 6/2006 Lefebvre et al. 362/217

* cited by examiner

Primary Examiner—Cathron C Brooks

Assistant Examiner—Kevin K Rudzinski

(74) *Attorney, Agent, or Firm*—Cantor Colburn LLP

(57) **CLAIM**

The ornamental design for base adapter, as shown and described.

DESCRIPTION

FIG. 1 is a top perspective view of our new base adapter;

FIG. 2 is a bottom perspective view thereof;

FIG. 3 is a side view thereof;

FIG. 4 is a top view of thereof;

FIG. 5 is a front view thereof; and,

FIG. 6 is a bottom view thereof.

1 Claim, 3 Drawing Sheets

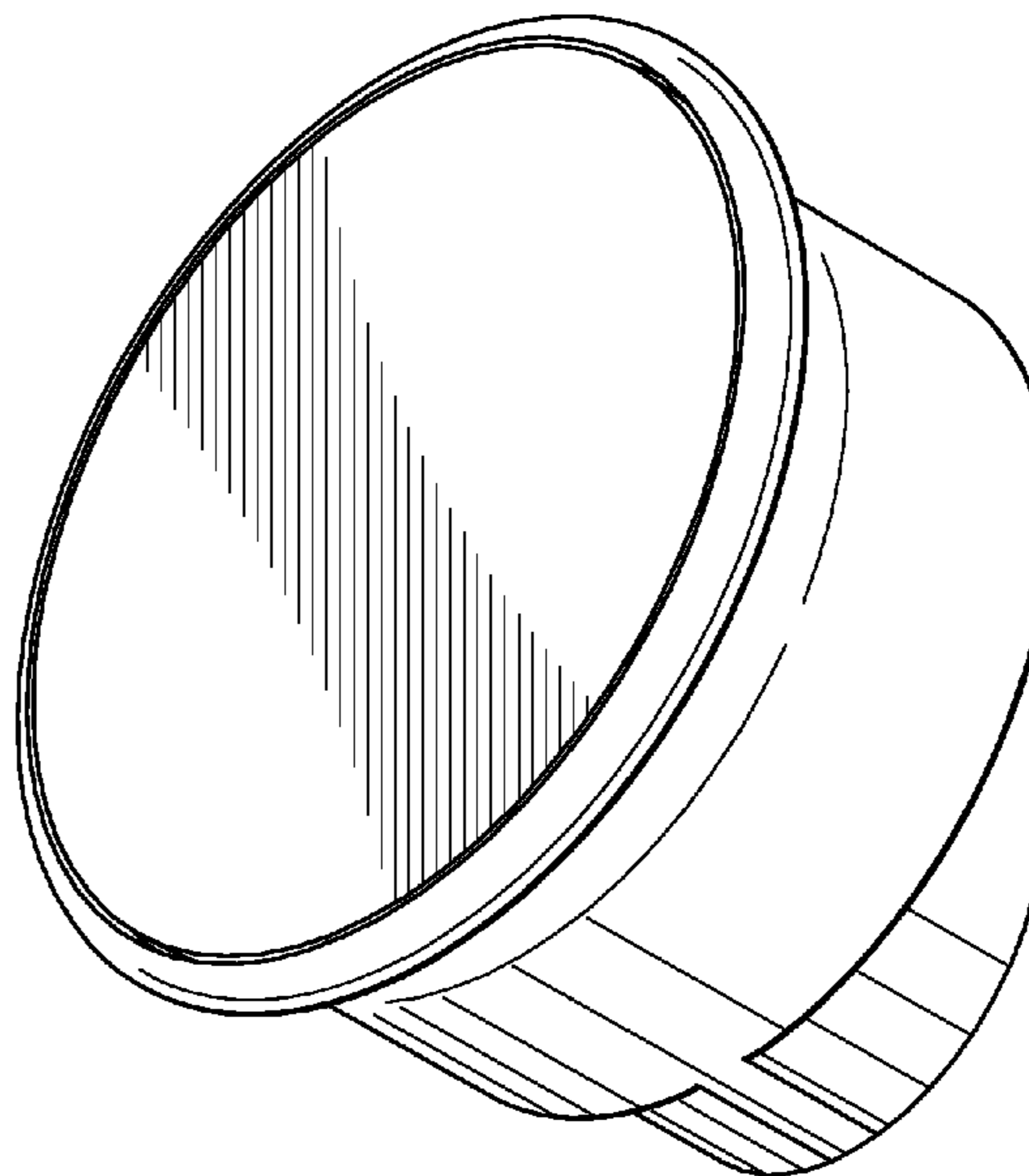
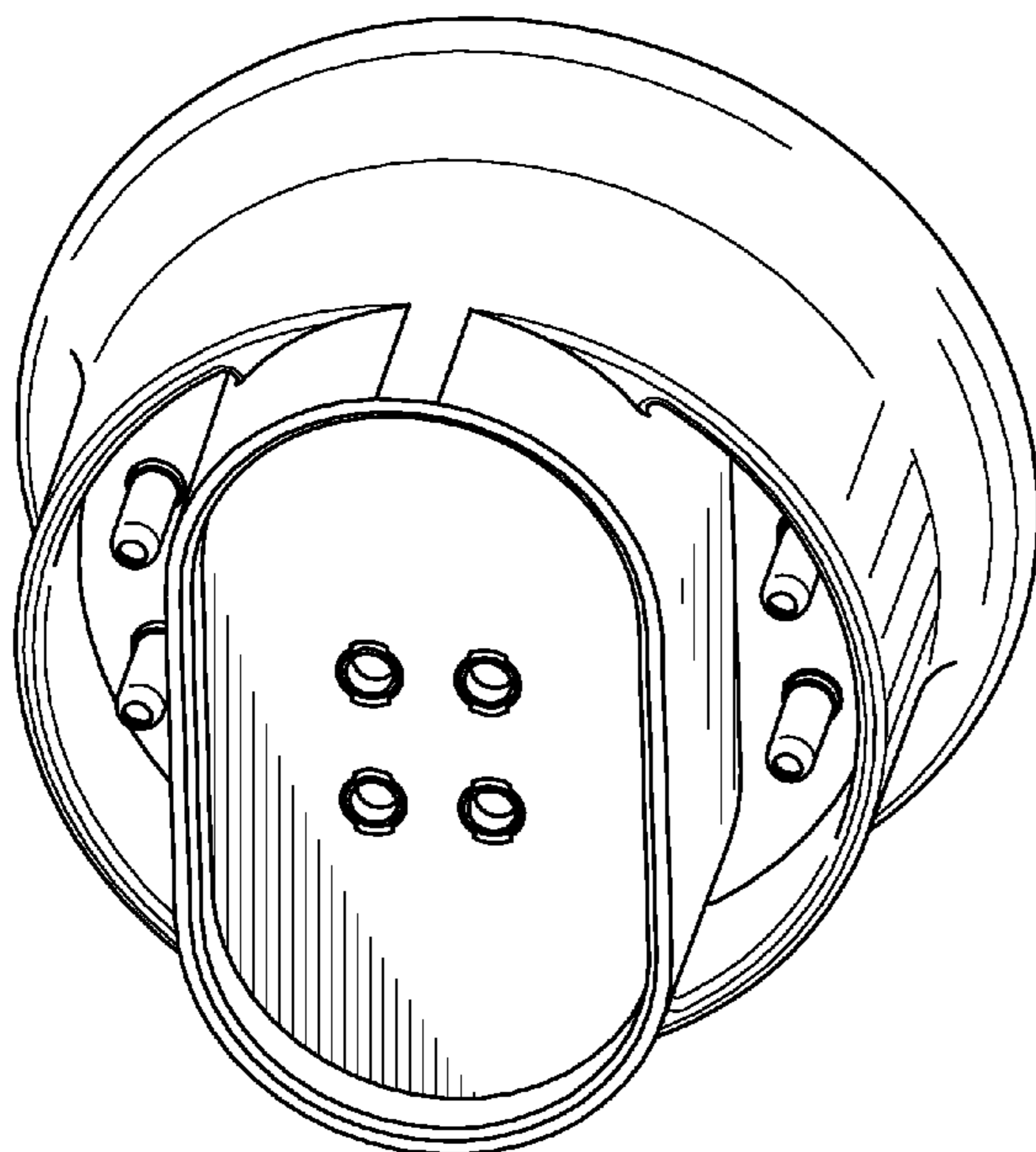


Fig. 1

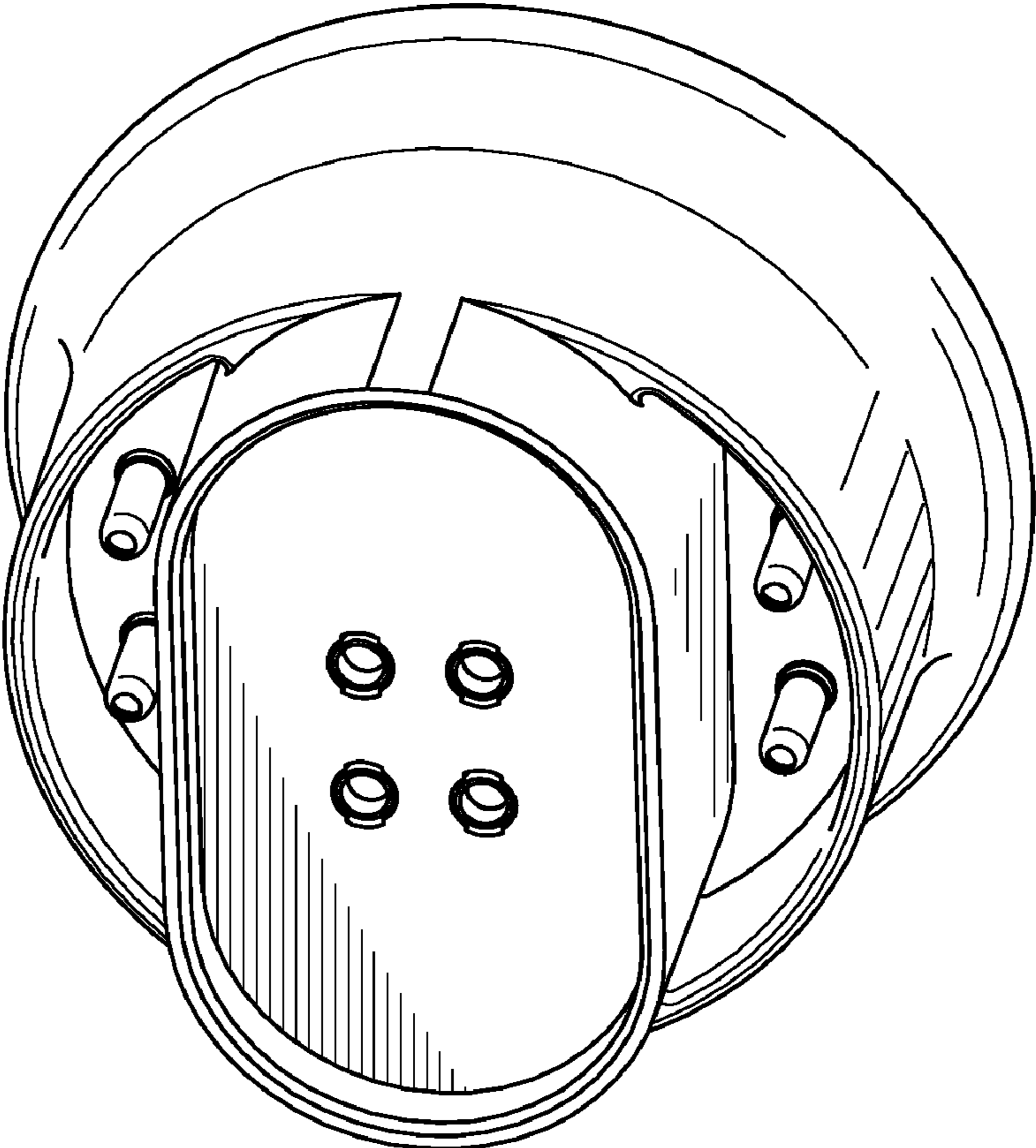
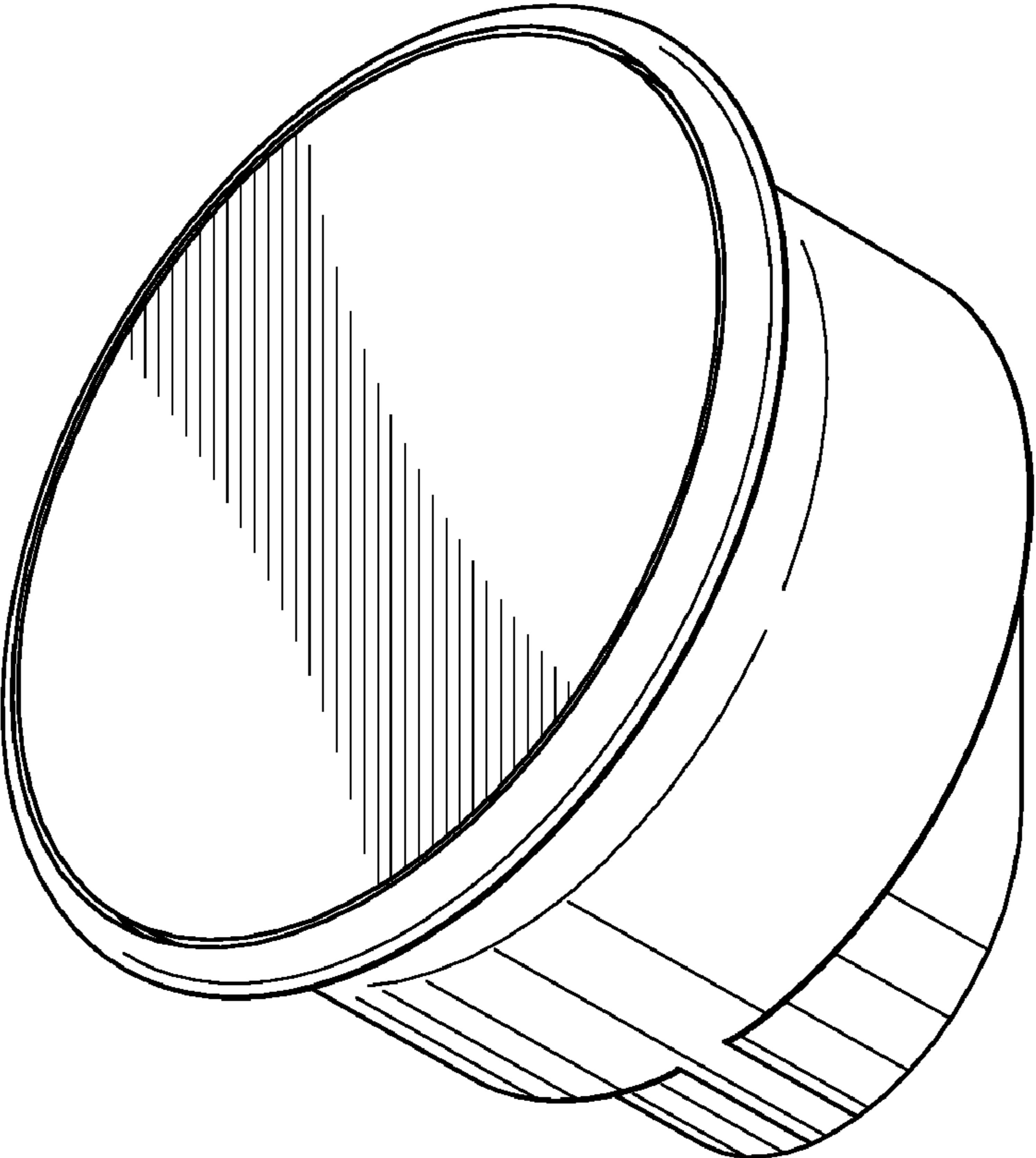


Fig. 2



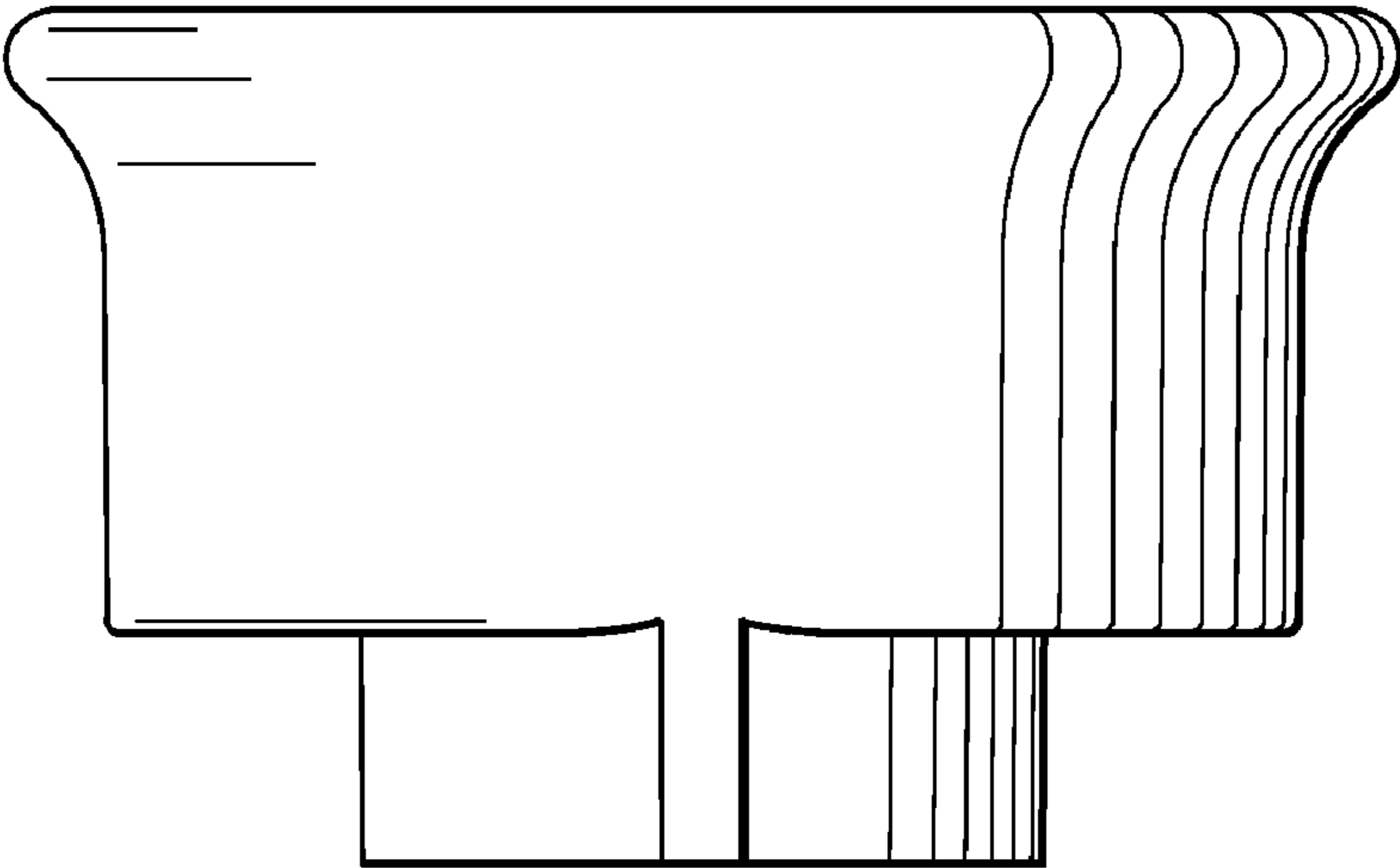


Fig. 3

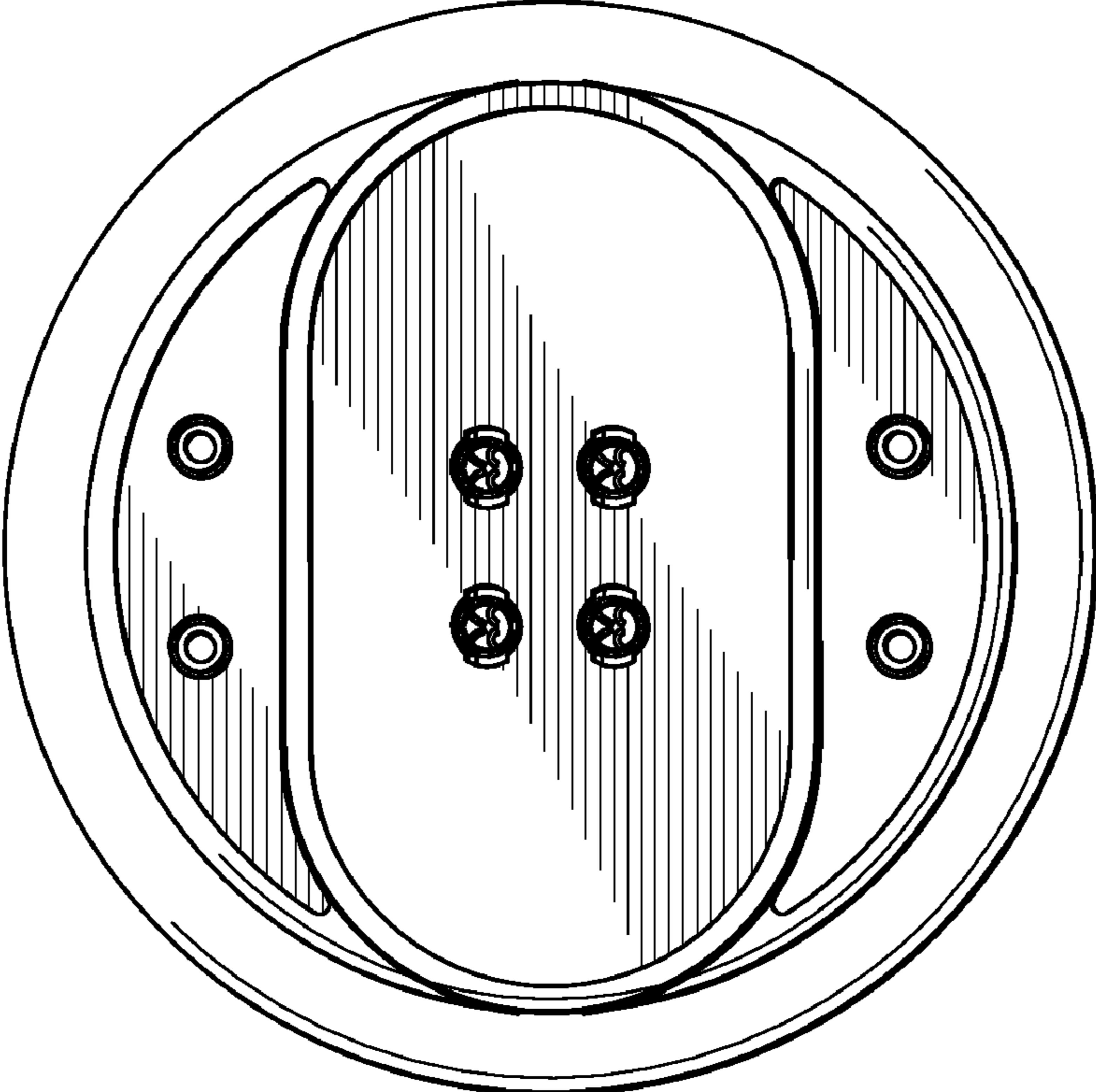


Fig. 4

Fig. 5

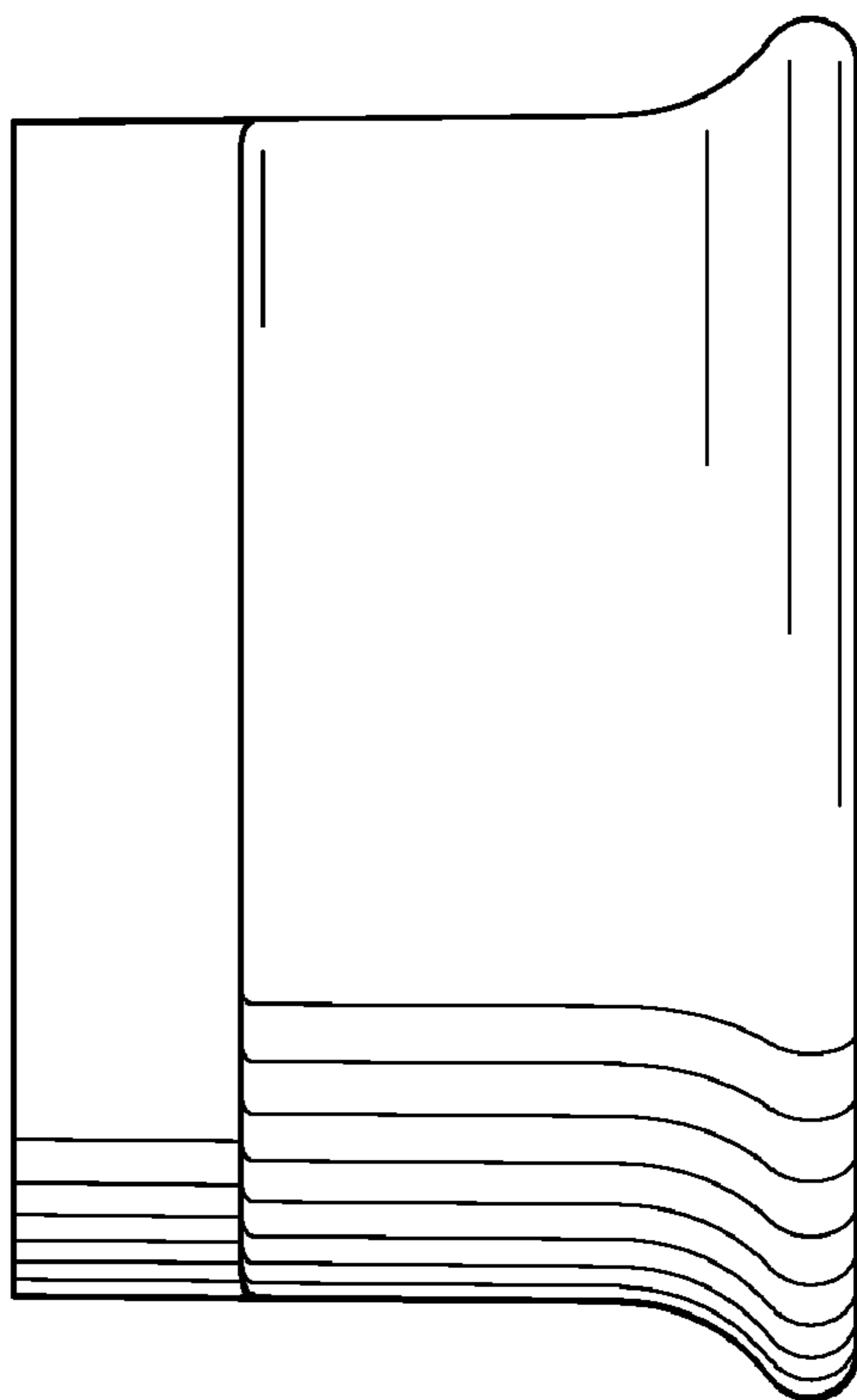


Fig. 6

