



US00D603082S

(12) **United States Design Patent**
Orozco

(10) **Patent No.:** **US D603,082 S**

(45) **Date of Patent:** **** Oct. 27, 2009**

(54) **DOME FLUSHMOUNT LIGHT**

(75) Inventor: **Sergio Orozco**, New York, NY (US)

(73) Assignee: **Chien Luen Industries Co., Ltd., Inc.**,
Fort Lauderdale, FL (US)

(**) Term: **14 Years**

(21) Appl. No.: **29/328,587**

(22) Filed: **Nov. 26, 2008**

(51) **LOC (9) Cl.** **26-03**

(52) **U.S. Cl.** **D26/89; D26/136**

(58) **Field of Classification Search** D26/72,
D26/84, 88, 89, 128, 132-137, 152; 362/147,
362/361, 363, 404, 453

See application file for complete search history.

(56) **References Cited**

U.S. PATENT DOCUMENTS

D38,684 S *	7/1907	Booth	D26/133
D42,863 S *	8/1912	Spindler	D26/89
D44,443 S *	8/1913	Huttig	D26/133
D48,893 S *	4/1916	Hawe	D26/133
D371,216 S *	6/1996	Miranda	D26/134
D389,943 S	1/1998	Miranda		
D389,950 S *	1/1998	Chiang	D26/134
D413,405 S *	8/1999	Hsu	D26/134
D422,072 S	3/2000	Blateri		
D425,239 S *	5/2000	Lin	D26/134
D484,233 S	12/2003	Bucher et al.		
D485,346 S	1/2004	Bucher et al.		
D532,921 S	11/2006	Flores		
D556,317 S	11/2007	Hidalgo		
D556,881 S	12/2007	Bucher et al.		

D558,386 S	12/2007	Bickler et al.
D559,436 S	1/2008	Flores
D560,299 S	1/2008	Bucher et al.
D561,385 S	2/2008	Bucher et al.
D563,541 S	3/2008	Bucher et al.
D563,591 S	3/2008	Hsu
D574,985 S	8/2008	Bucher et al.
D578,243 S	10/2008	Salatto-Rose

* cited by examiner

Primary Examiner—Clare E Heflin

(74) *Attorney, Agent, or Firm*—Brian S. Steinberger; Law
Offices of Brian S. Steinberger, P.A.

(57) **CLAIM**

The ornamental design for a dome flushmount light, as shown
and described.

DESCRIPTION

FIG. 1 is a lower front side perspective view of the dome
flushmount light.

FIG. 2 is an upper front side perspective view of the light of
FIG. 1.

FIG. 3 is a front side view of the design of FIG. 1.

FIG. 4 is a rear side view of the design of FIG. 1.

FIG. 5 is a left side view of the design of FIG. 1.

FIG. 6 is a right side view of the design of FIG. 1.

FIG. 7 is a top view of the design of FIG. 1; and,

FIG. 8 is a bottom view of the design of FIG. 1.

The broken lines in the figures are for illustrative purposes
and form no part of the claimed design.

1 Claim, 8 Drawing Sheets

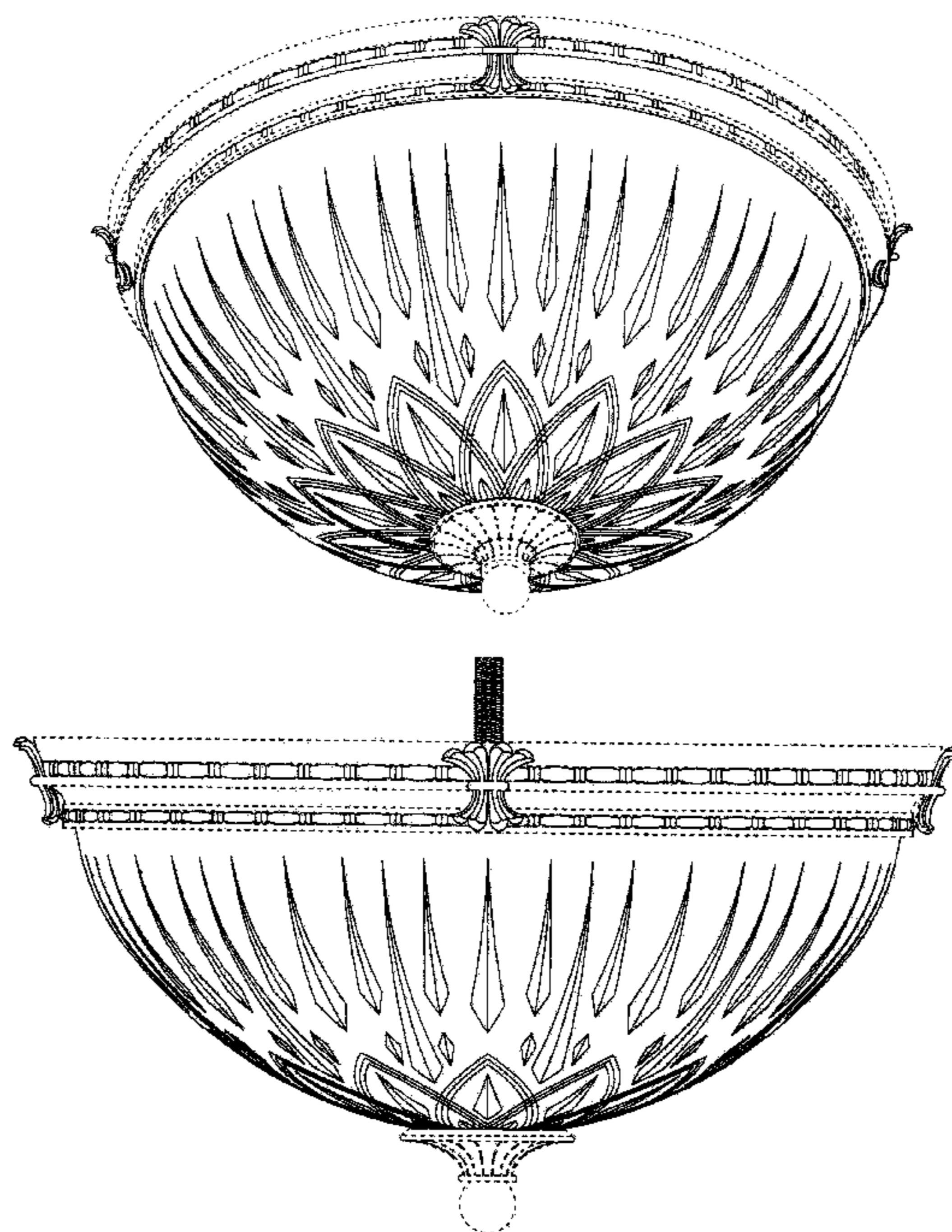


FIG. 1

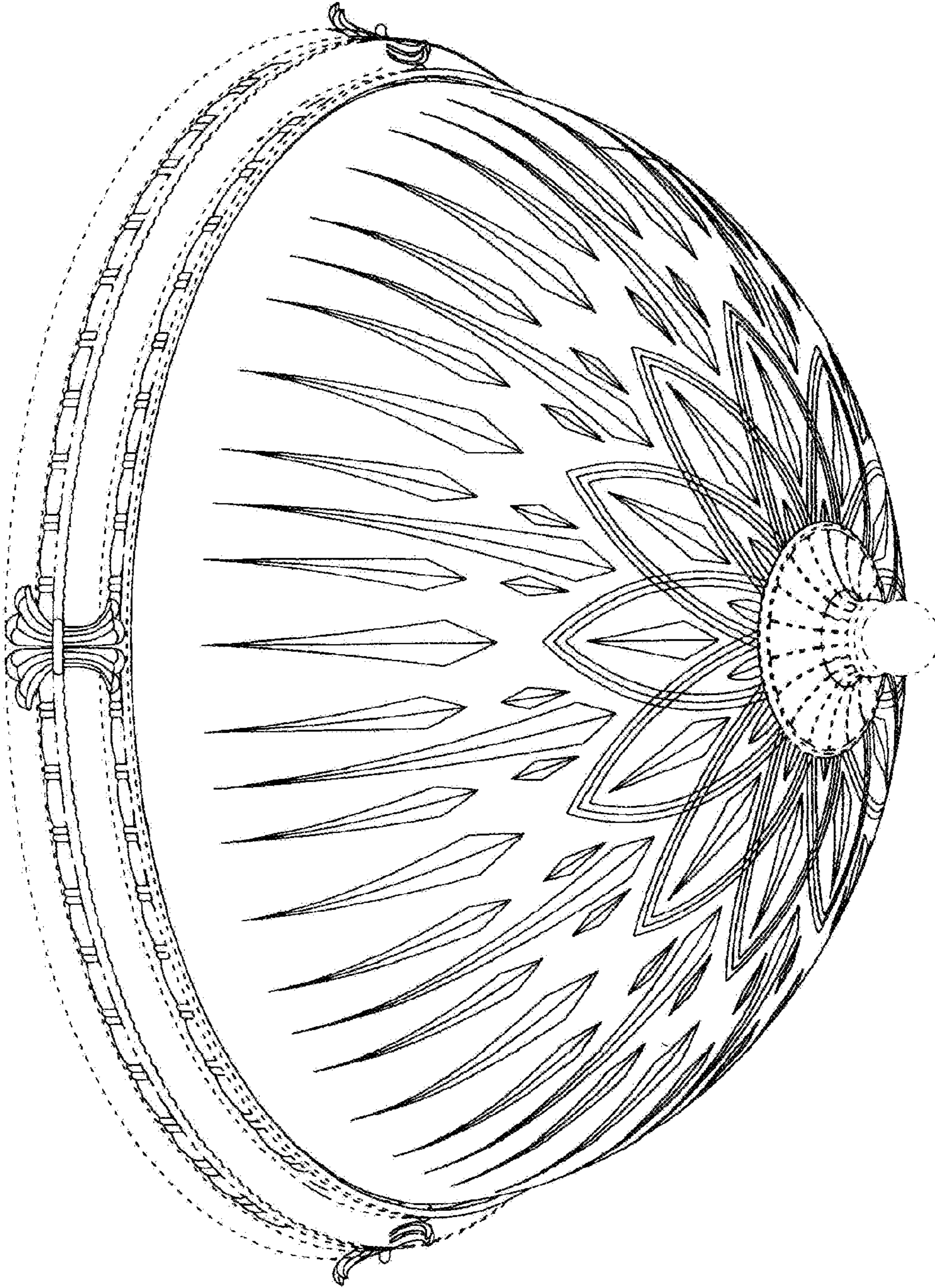


FIG. 2

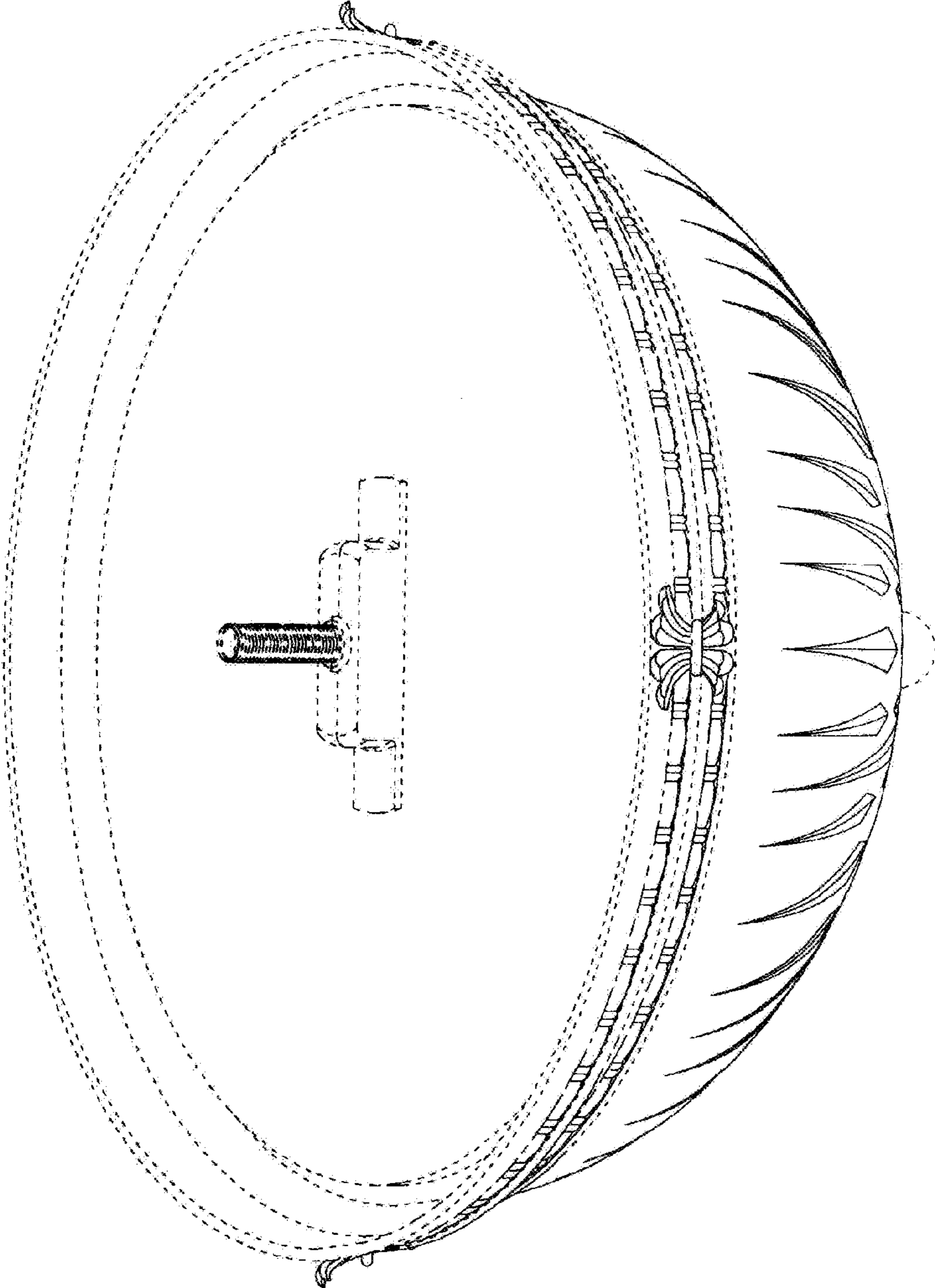


FIG. 3

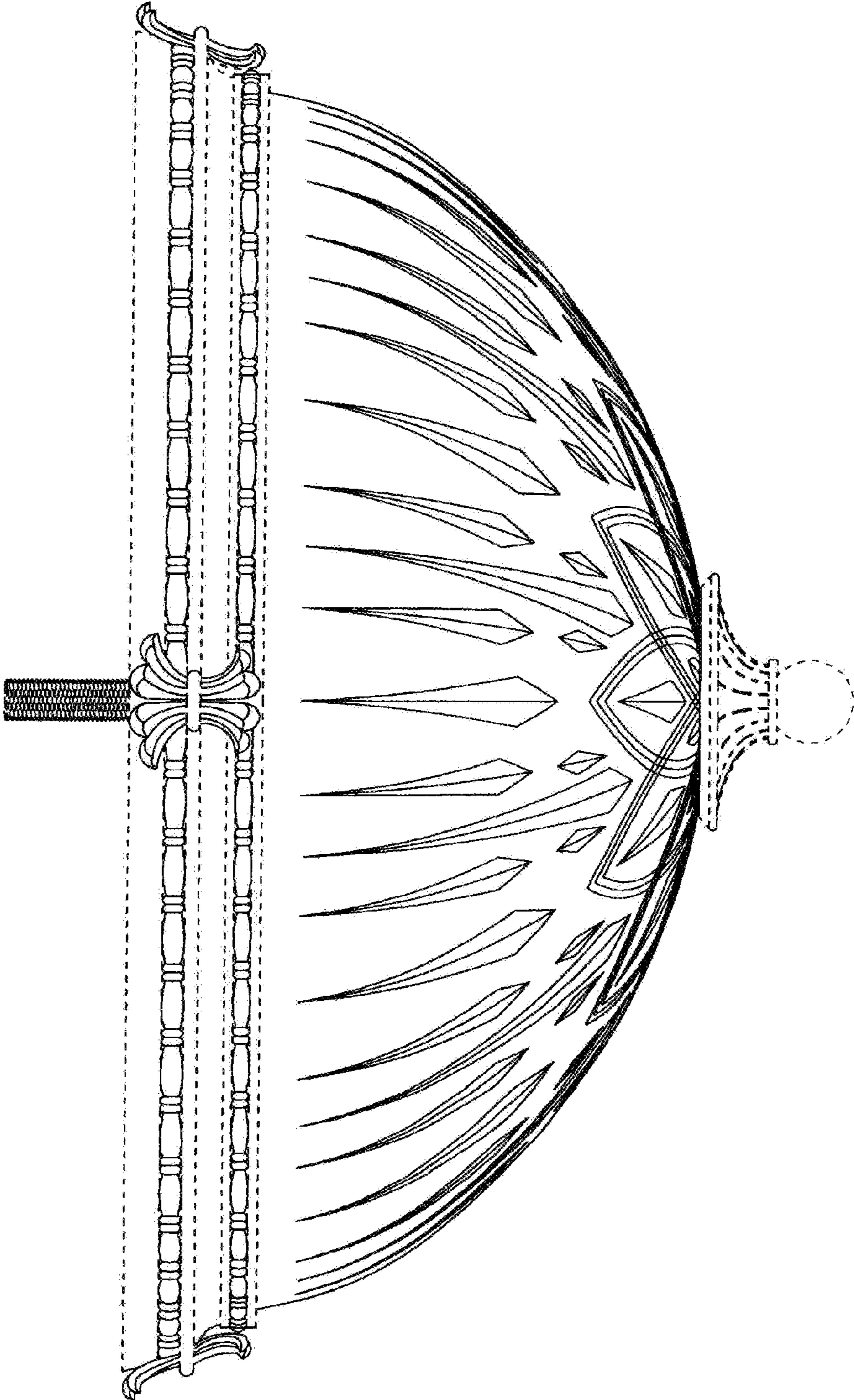


FIG. 4

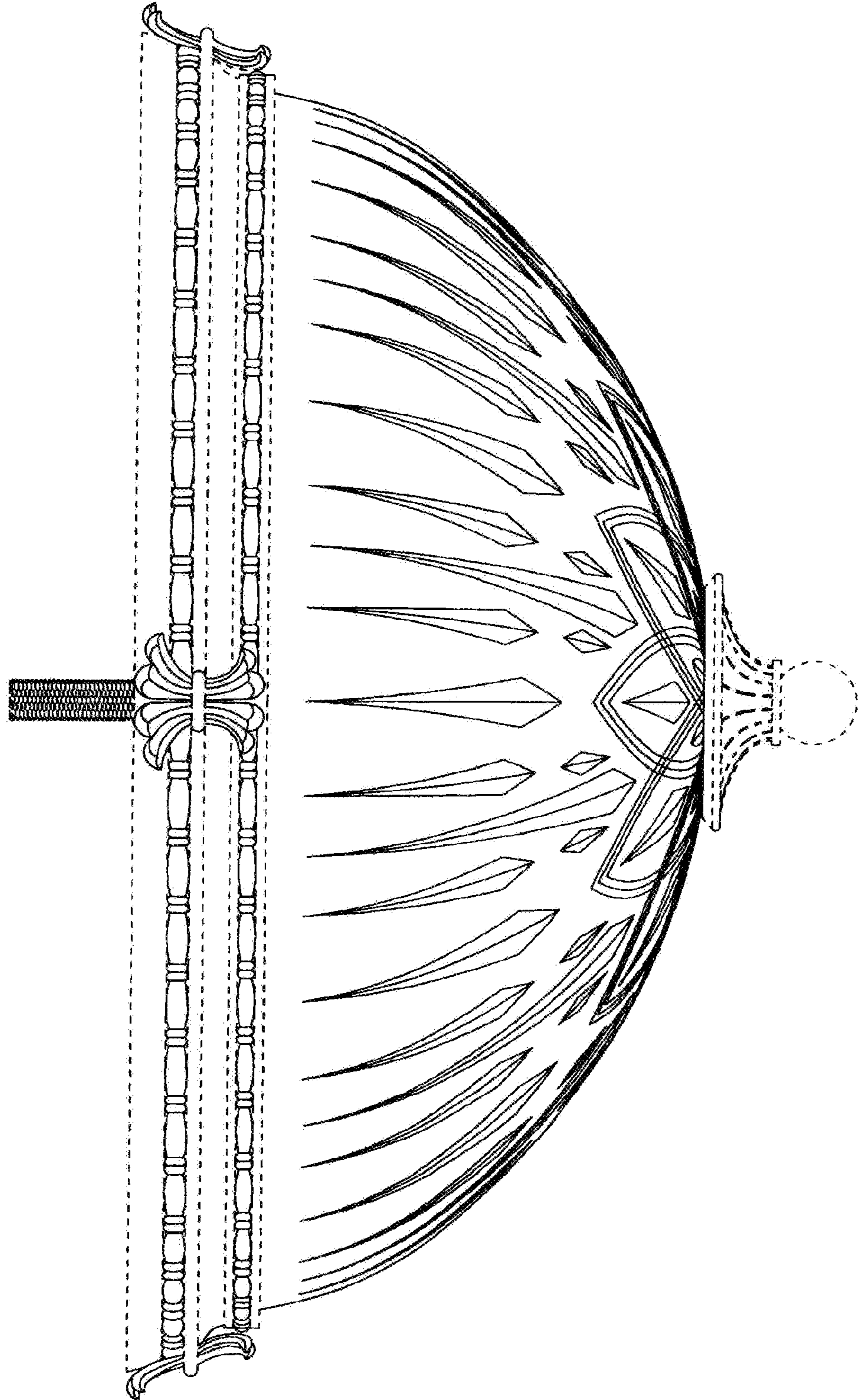


FIG. 5

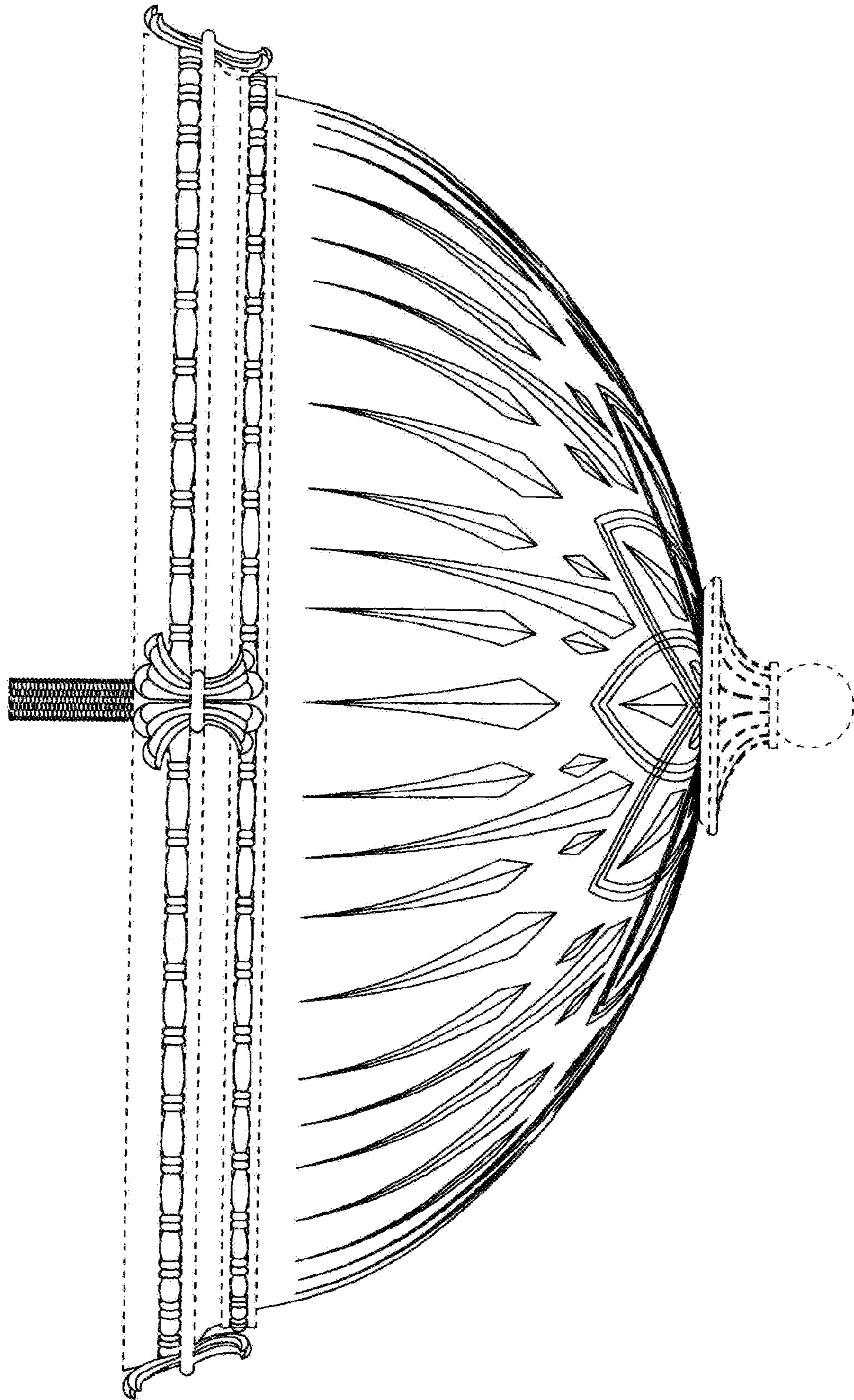


FIG. 6

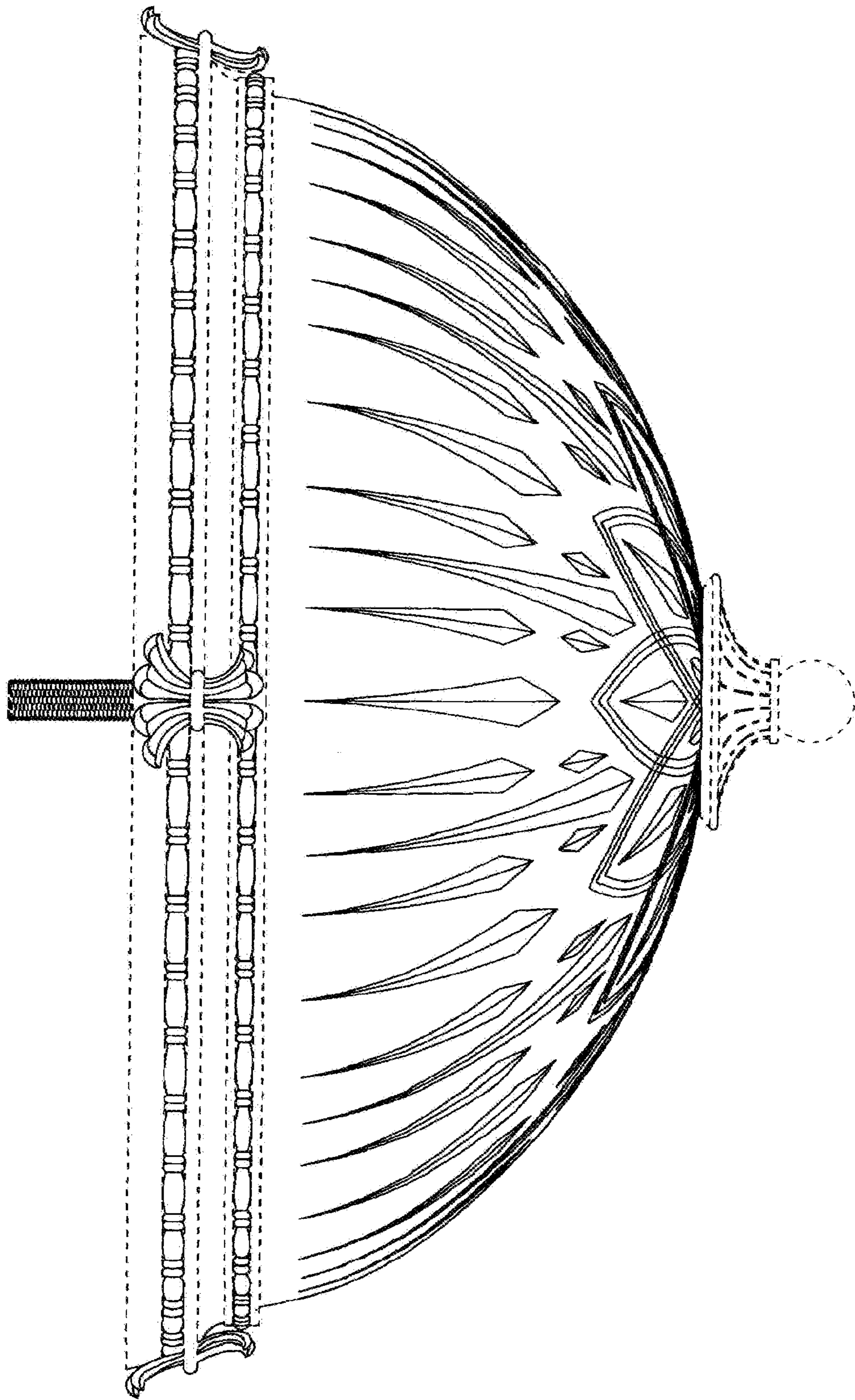


FIG. 7

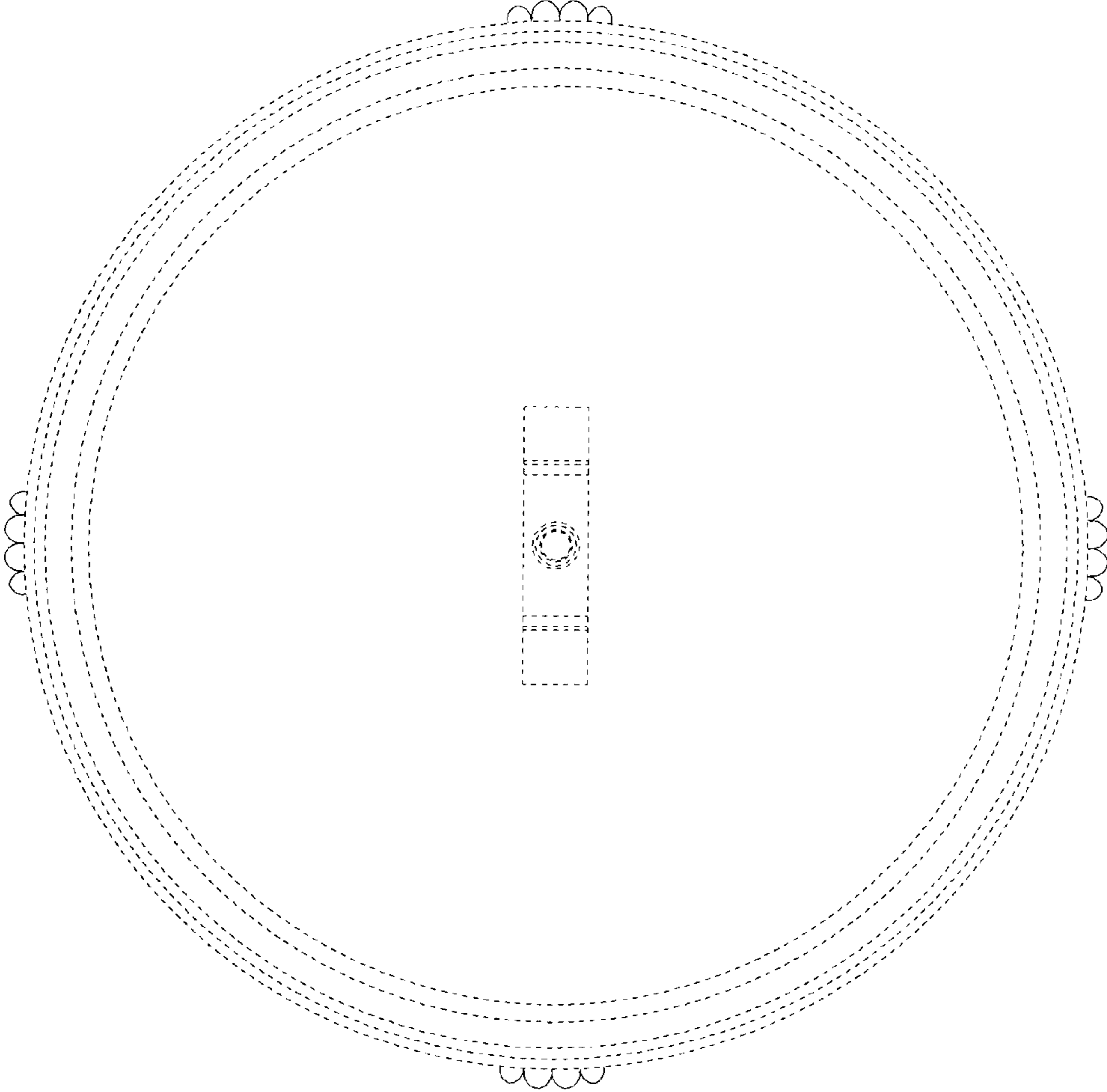


FIG. 8

