



US00D603081S

(12) **United States Design Patent**
Boyer et al.

(10) **Patent No.:** **US D603,081 S**
(45) **Date of Patent:** **** Oct. 27, 2009**

(54) **LIGHTING FIXTURE**

(75) Inventors: **John D. Boyer**, Lebanon, OH (US);
James P. Sferra, Goshen, OH (US); **Rob**
A. Rooms, Miamiville, OH (US)

(73) Assignee: **LSI Industries, Inc.**, Cincinnati, OH
(US)

(**) Term: **14 Years**

(21) Appl. No.: **29/324,914**

(22) Filed: **Sep. 23, 2008**

(51) **LOC (9) Cl.** **26-03**

(52) **U.S. Cl.** **D26/88**

(58) **Field of Classification Search** D26/72,
D26/75, 76, 84, 88, 89, 128, 132-137, 152;
362/147, 361, 363, 404, 453

See application file for complete search history.

(56) **References Cited**

U.S. PATENT DOCUMENTS

D085,401 S	10/1931	Stroud	
D123,761 S *	12/1940	Pieper	D26/24
D171,866 S	3/1954	Schreckengost	
2,717,955 A	9/1955	McGinty et al.	
D183,068 S *	6/1958	Spaulding et al.	D26/24
2,997,575 A	8/1961	Schwartz	
D212,899 S *	12/1968	Vesely et al.	D26/24
3,735,329 A *	5/1973	Funabashi et al.	D26/84
D234,800 S	4/1975	Swartz	
D304,860 S	11/1989	O'Dohanue et al.	
D308,423 S	6/1990	Galipeau et al.	
D312,842 S	12/1990	Younger et al.	
D319,513 S	8/1991	Vande Kieft	
D329,239 S	9/1992	Hahn	
D344,363 S	2/1994	Engle	

(Continued)

OTHER PUBLICATIONS

Beta LED Delivers The EDGE, 2007, Beta Lighting; pp. 1-5.

BLD-PKG-T5-DM, The Edge Parking Structure Light, Feb. 29, 2008; pp. 1-2.

(Continued)

Primary Examiner—Clare E Heflin

(74) *Attorney, Agent, or Firm*—McDermott Will & Emery
LLP

(57) **CLAIM**

The ornamental design for lighting fixture, as shown and described.

DESCRIPTION

FIG. 1 is a perspective view of one embodiment of the design of the present disclosure;

FIG. 2 is a bottom view of the embodiment depicted in FIG. 1;

FIG. 3 is a right side view of the embodiment depicted in FIG. 1; the left side view being the same; the front side view being the same; the back side view being the same;

FIG. 4 is a top view of the embodiment depicted in FIG. 1;

FIG. 5 is a cross-sectional view of the embodiment depicted in FIG. 1;

FIG. 6 is a perspective view of another embodiment of the design of the present disclosure;

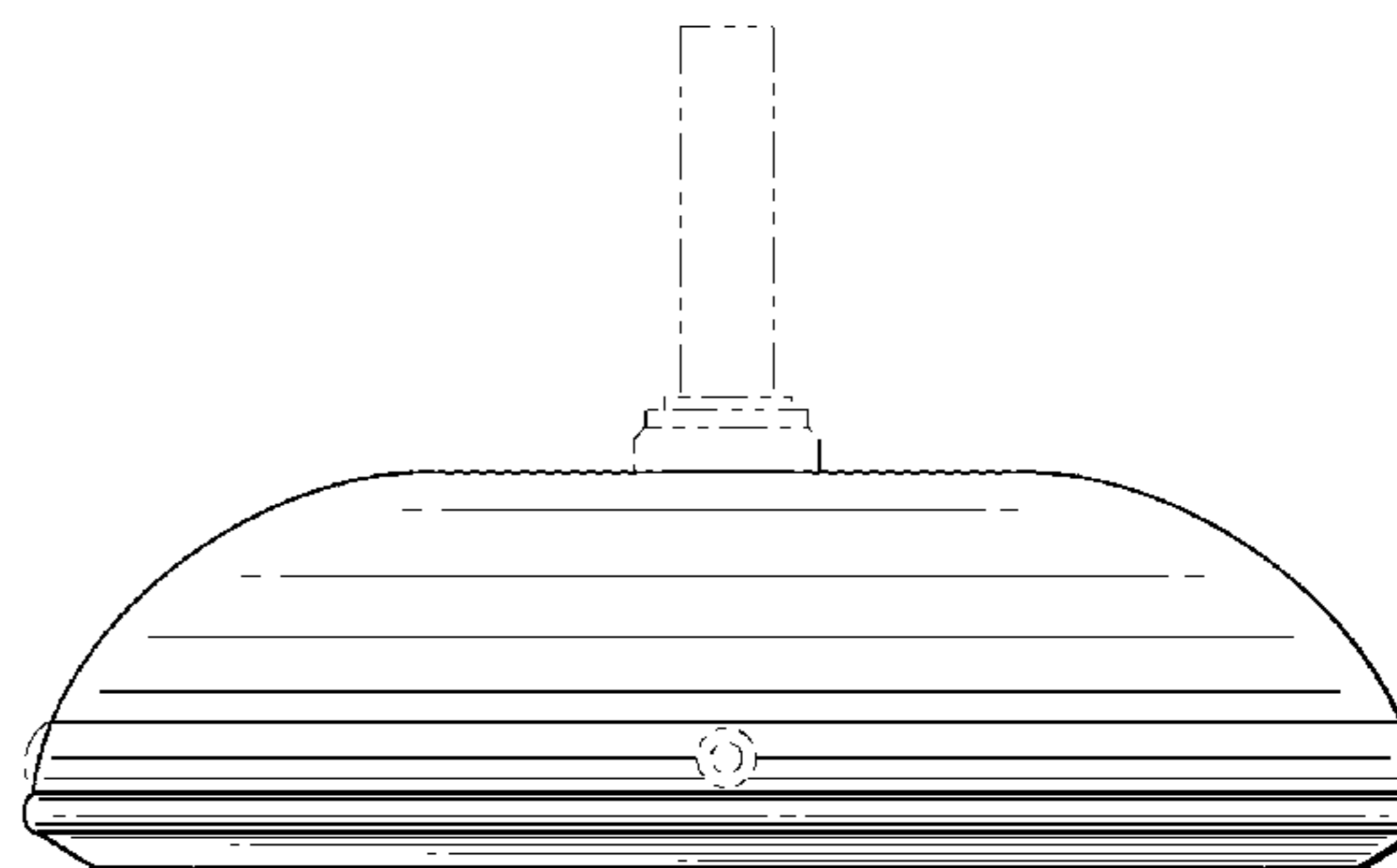
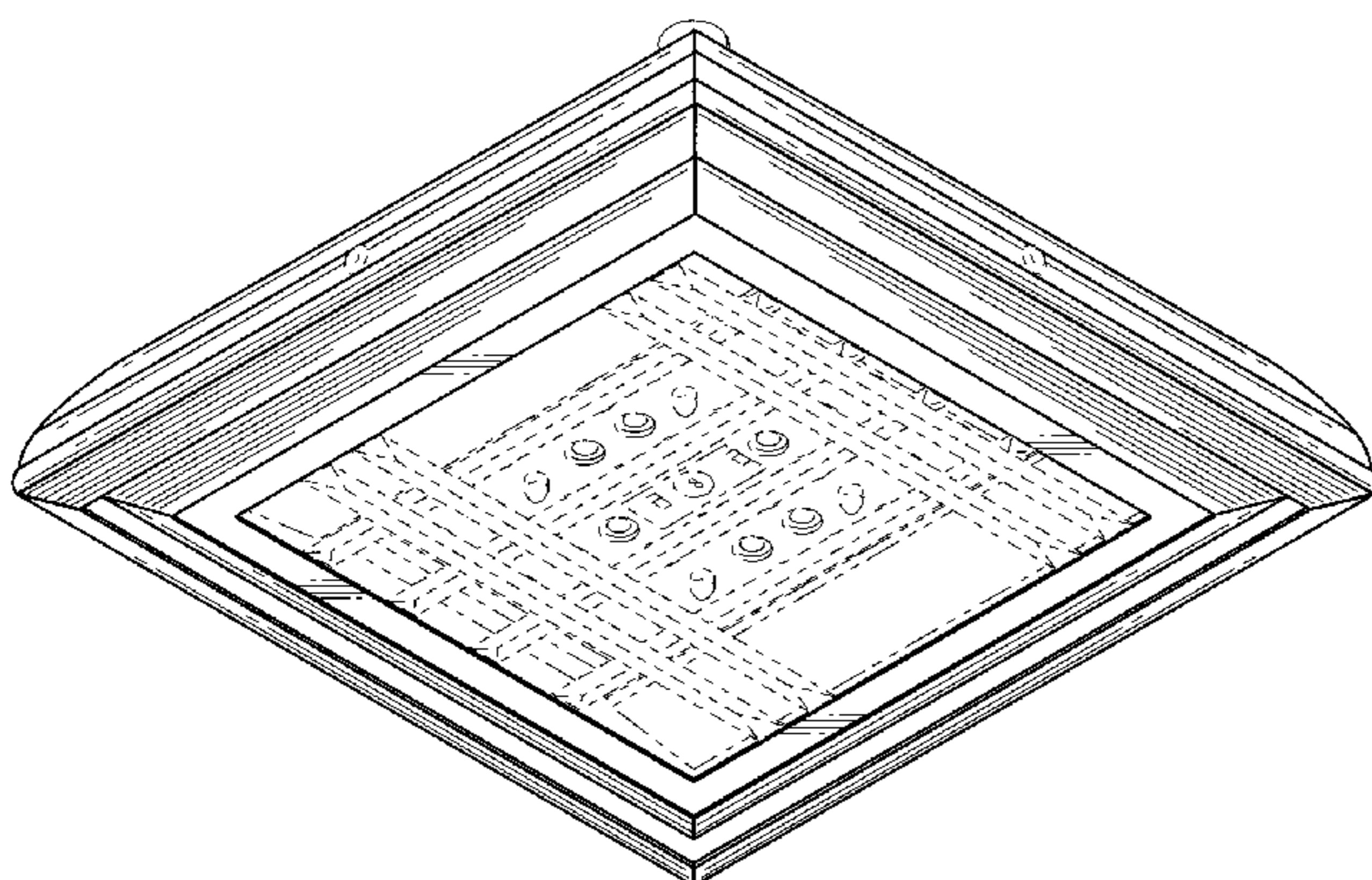
FIG. 7 is a bottom view of the embodiment depicted in FIG. 6;

FIG. 8 is a right side view of the embodiment depicted in FIG. 6; the left side view being the same; the front side view being the same; the back side view being the same; and,

FIG. 9 is a top view of the embodiment depicted in FIG. 6.

Those portions of the present disclosure which are presented in phantom illustrate the environment of the design only and form no part of the claimed design. Moreover, the shading presented in the accompanying drawings is provided merely to highlight the contour of the disclosure and is not intended to be illustrative of texture or gloss.

1 Claim, 9 Drawing Sheets



US D603,081 S

Page 2

U.S. PATENT DOCUMENTS

D360,270 S 7/1995 Shemitz
D365,409 S 12/1995 Lu
5,826,973 A 10/1998 Melzian et al.
D411,325 S 6/1999 Roorda
D411,326 S 6/1999 Roorda
6,062,704 A 5/2000 Holder
D427,343 S 6/2000 Reinbach
6,626,562 B2 9/2003 Blanchard
D496,487 S 9/2004 Rhee
D514,248 S 1/2006 Rhee
D528,226 S 9/2006 Nagai et al.
D530,808 S 10/2006 Sinur et al.
D532,143 S 11/2006 Woertler
D532,544 S 11/2006 Woertler
D535,774 S 1/2007 Weston et al.
D547,482 S * 7/2007 Blackman D26/76
D547,484 S * 7/2007 Guercio D26/89
D549,869 S 8/2007 Ward
D551,379 S 9/2007 Maxik
D551,382 S * 9/2007 Curtin D26/89
D558,382 S * 12/2007 Cesaro D26/86

D558,388 S 12/2007 Ward
D565,207 S 3/2008 Uemoto et al.
D565,755 S 4/2008 Uemoto et al.
D567,989 S * 4/2008 Goetz-Schaefer D26/89
D572,858 S 7/2008 Santoro
D574,994 S * 8/2008 Boyer D26/120
D592,348 S * 5/2009 Trott et al. D26/74
D598,160 S 8/2009 Boyer
D598,161 S 8/2009 Boyer
2006/0087843 A1 4/2006 Setomoto et al.

OTHER PUBLICATIONS

BLD-CAN-T5-DM, The Edge Canopy Light, Feb. 8, 2008; pp. 1-2.
BLD-SEC-T2-WM, The Edge Wall Pack, Feb. 29, 2008; pp. 1-2.
Encore From LSI Petroleum Lighting, 2004; pp. 1-10.
Encore Top Access - FLAT LENS, LSI Petroleum Lighting, 2007; pp. 1-2.
Encore Top Access- FLAT LENS FOCUS, LSI Petroleum Lighting, 2007, pp. 1-2.
Vandal Proof Recessed 1x1, LSI Industries, Inc., 2007; pp. 1-2.
Sovereign, LSI Petroleum Lighting, 2007; pp. 1-2.

* cited by examiner

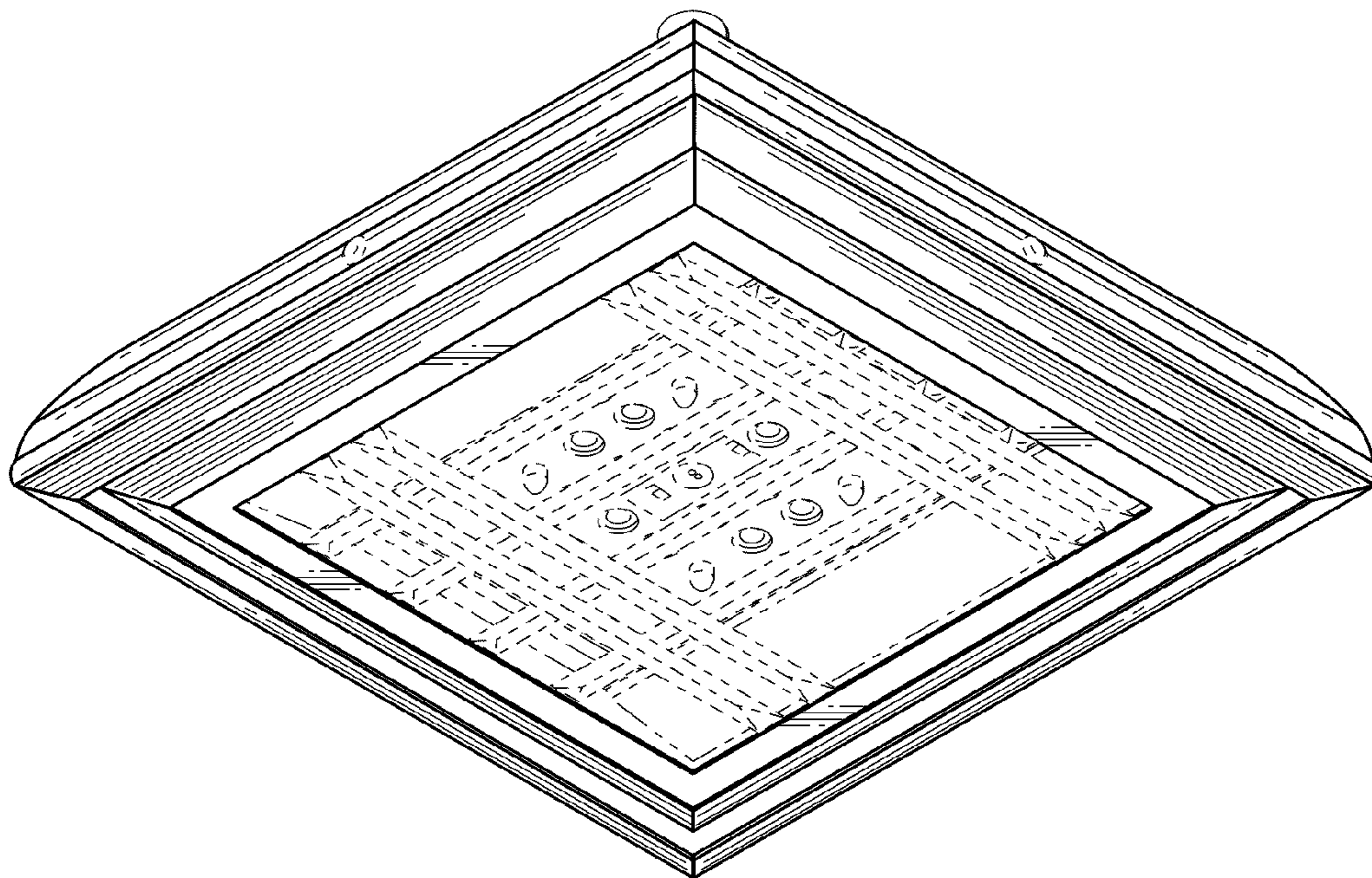


FIG. 1

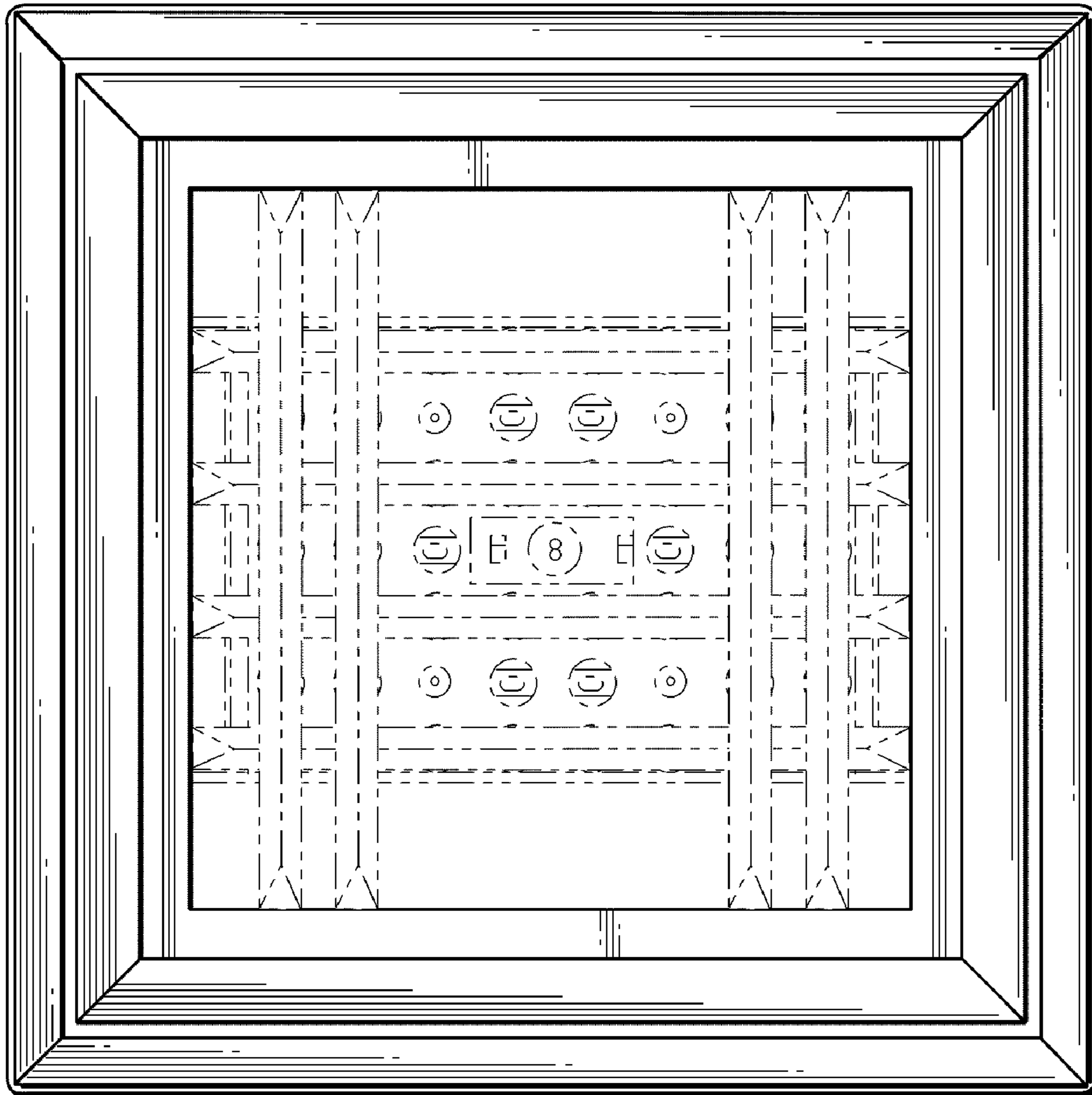


FIG. 2

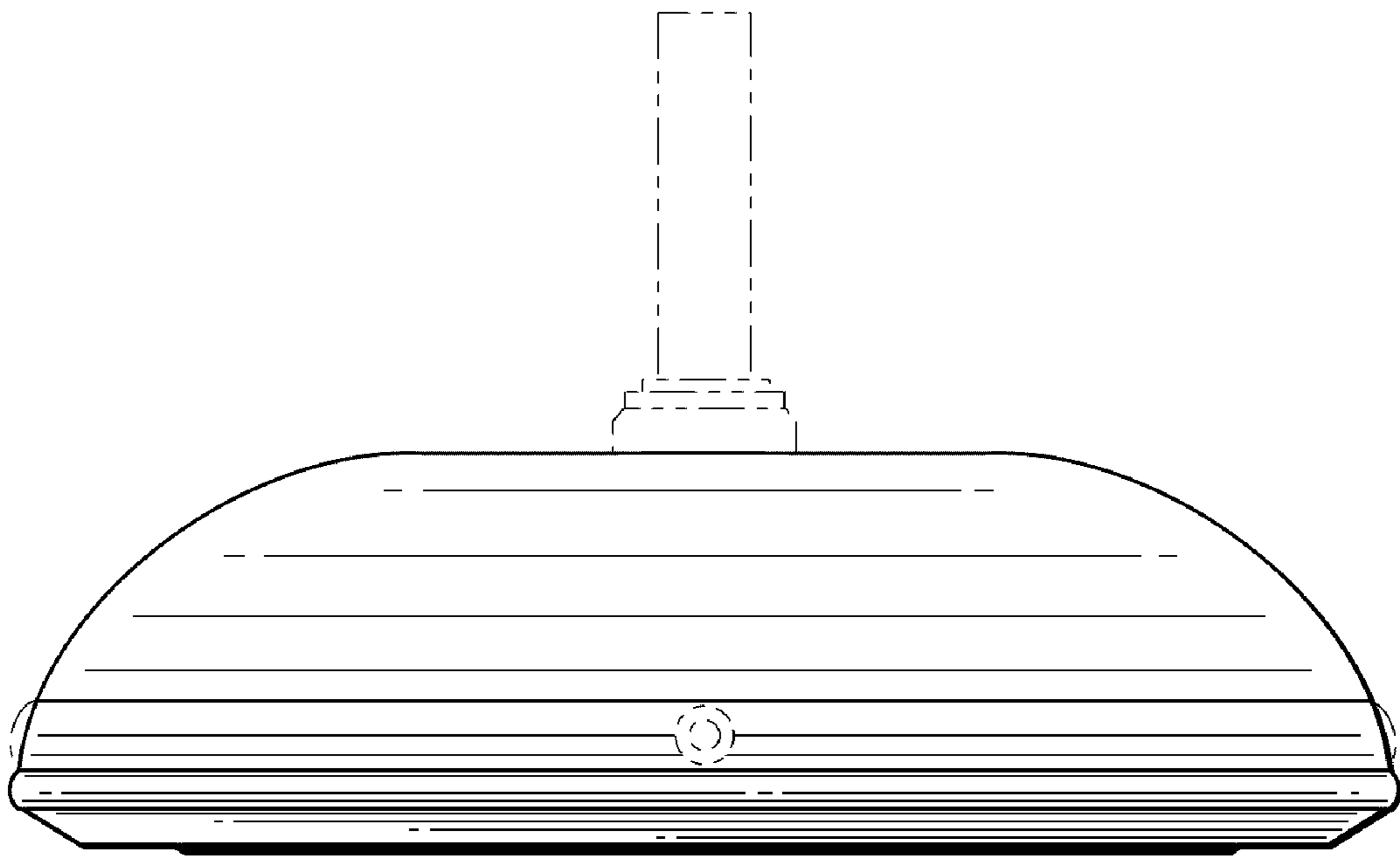


FIG. 3

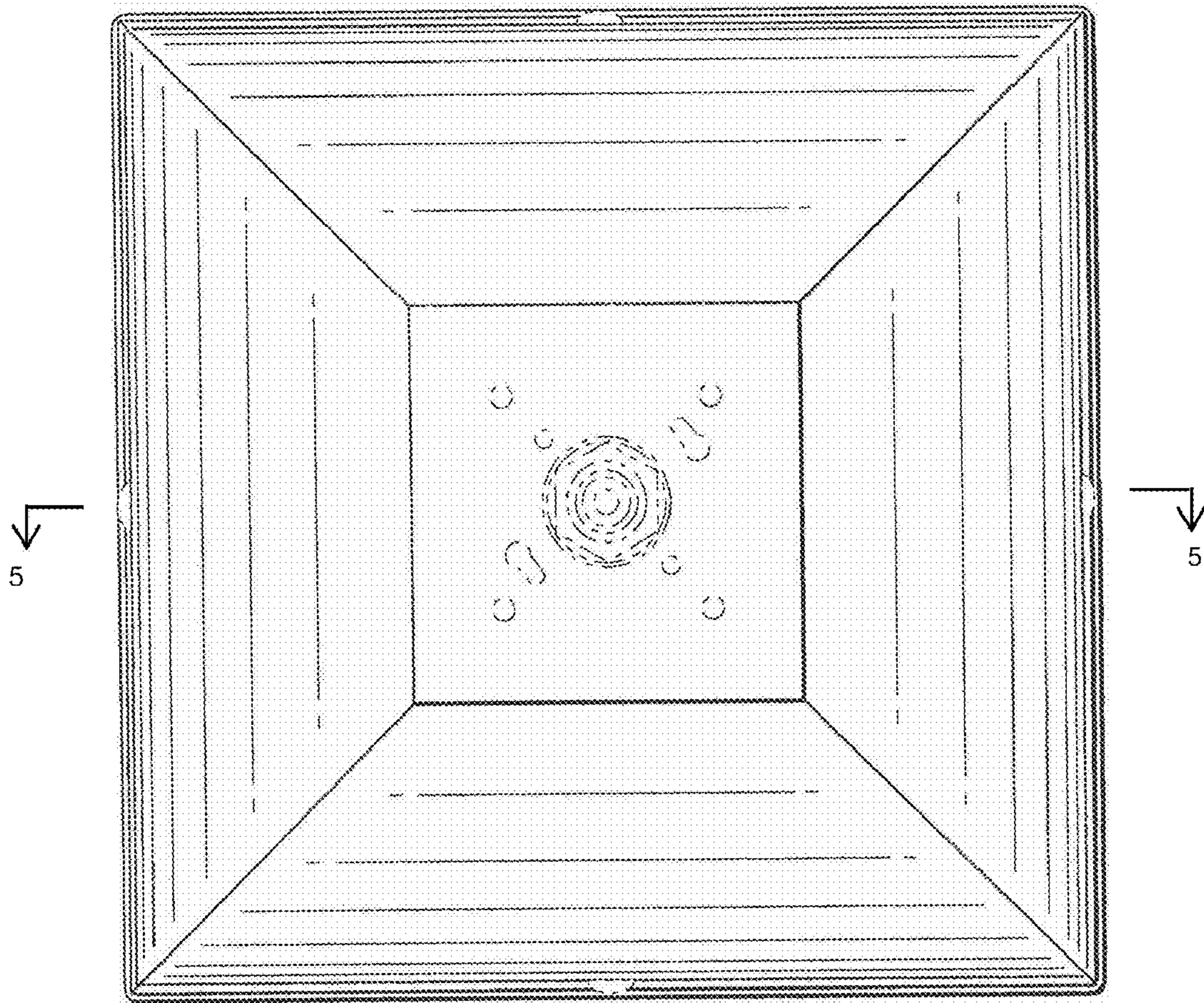


FIG. 4

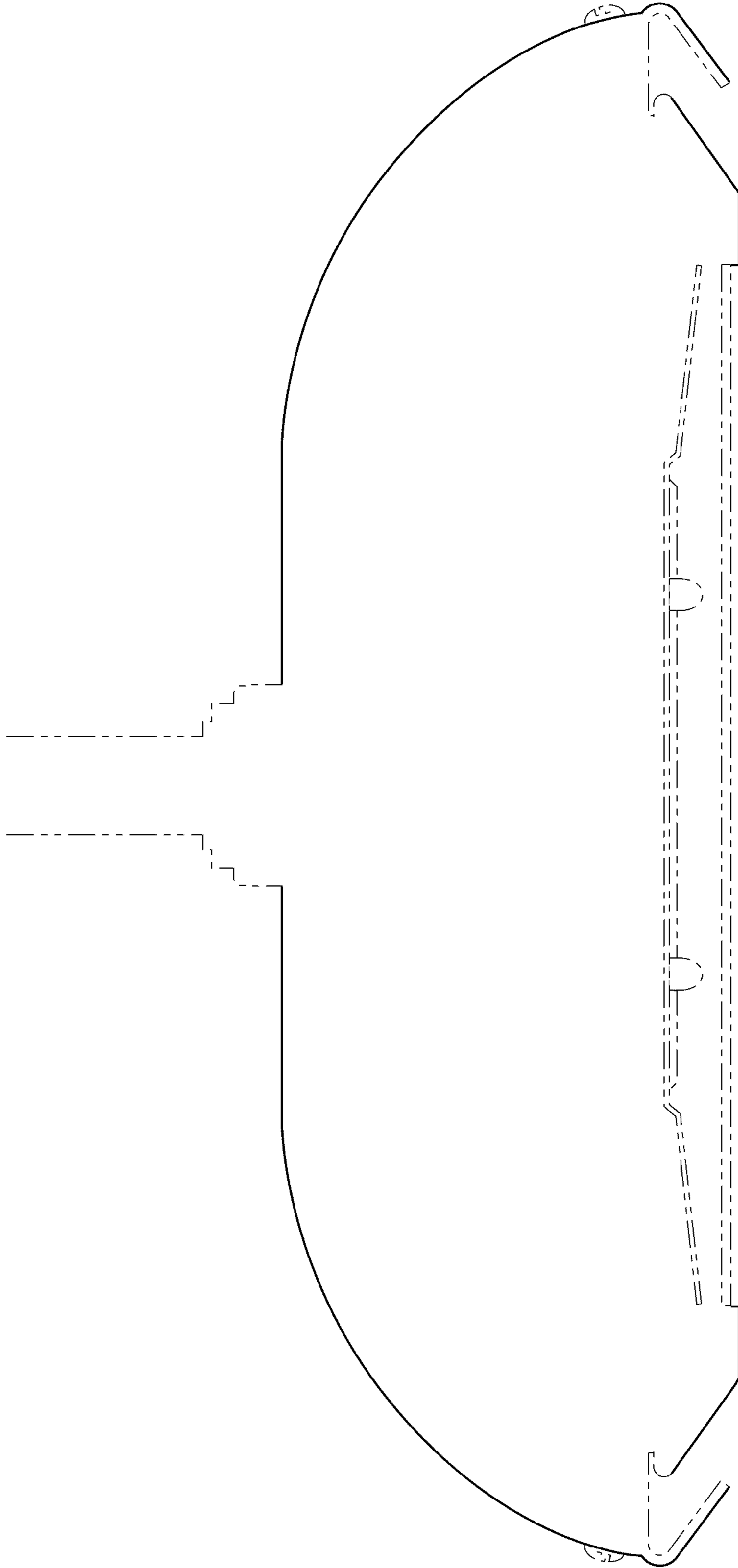


FIG. 5

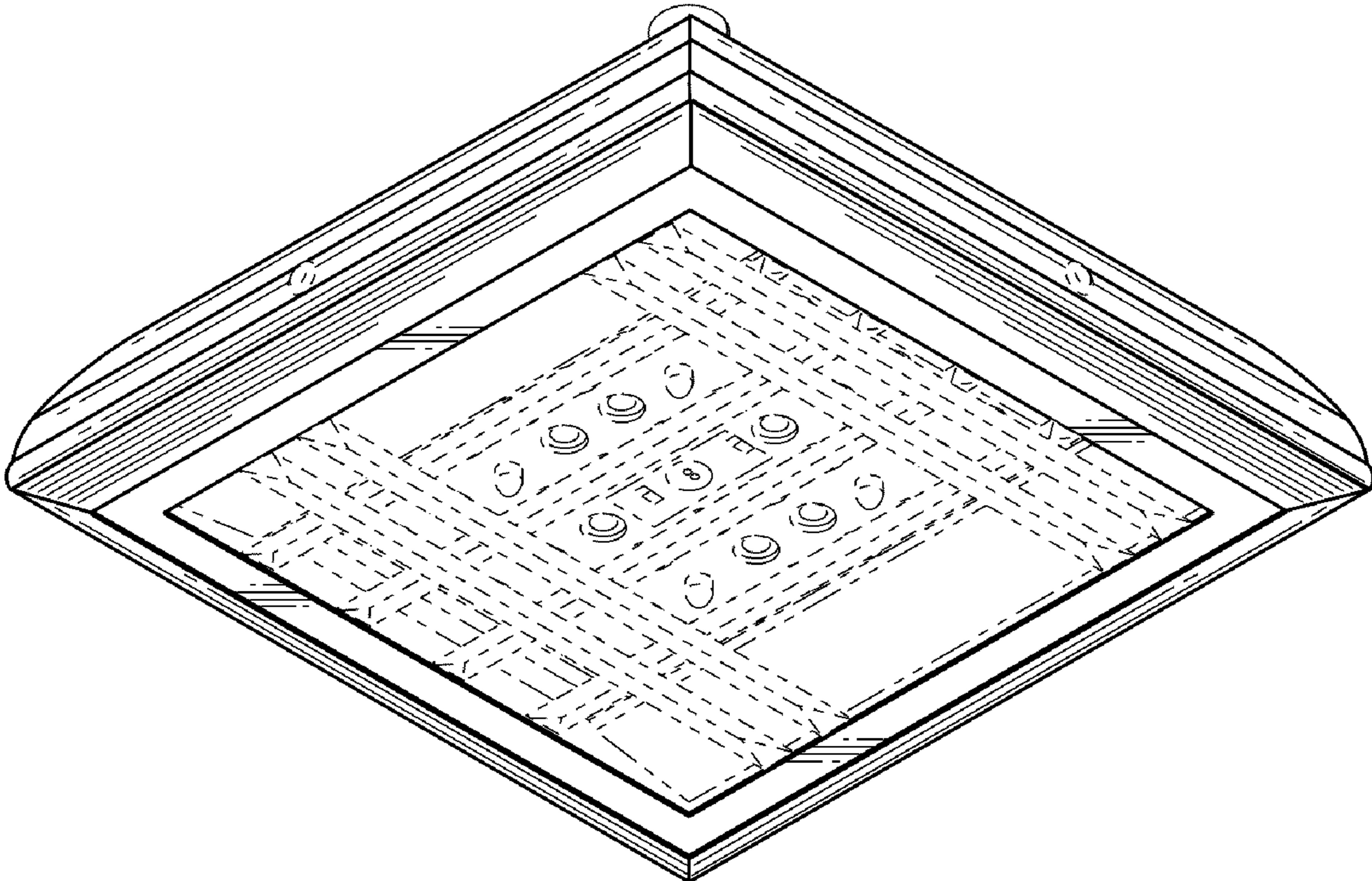


FIG. 6

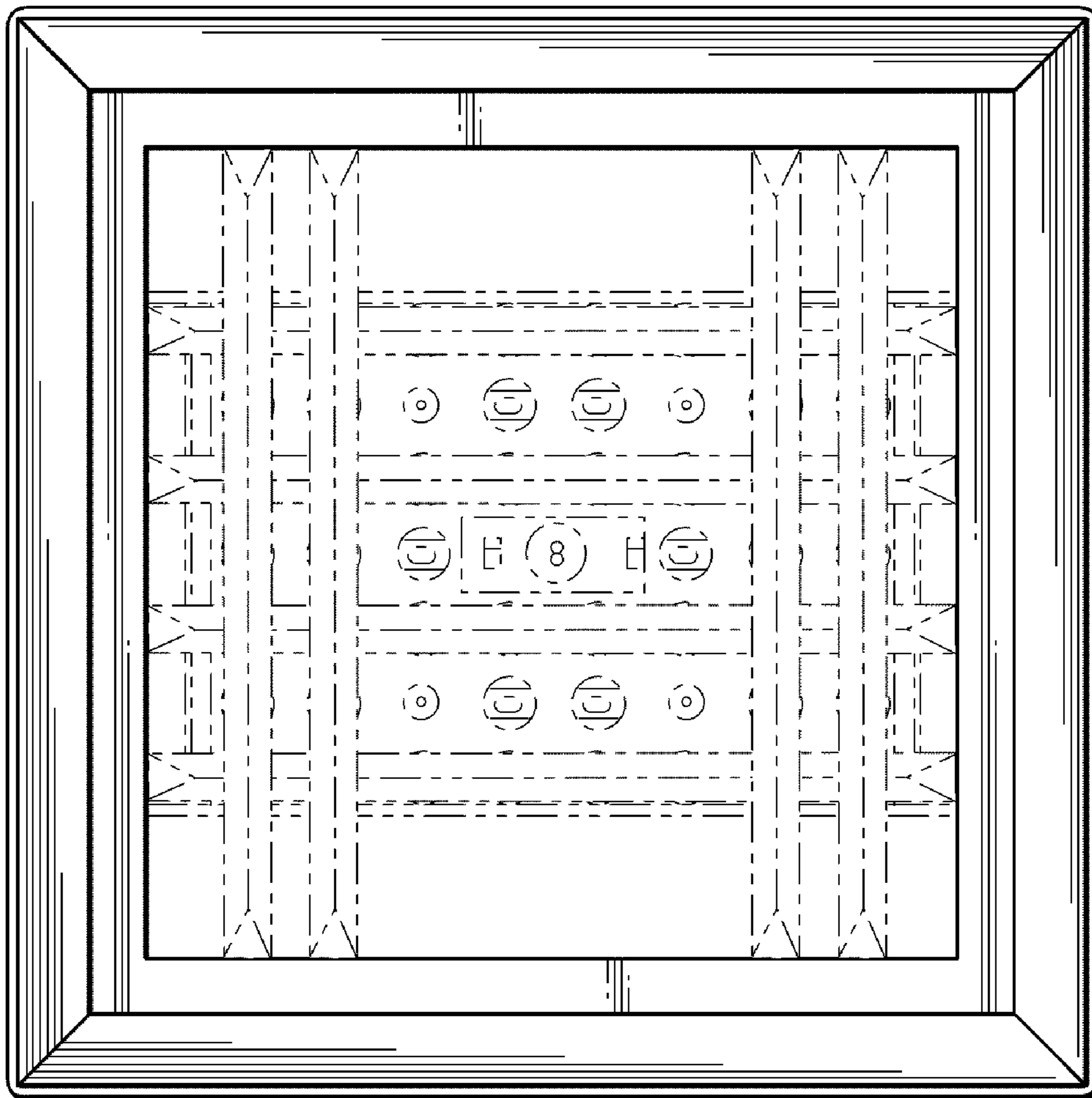


FIG. 7

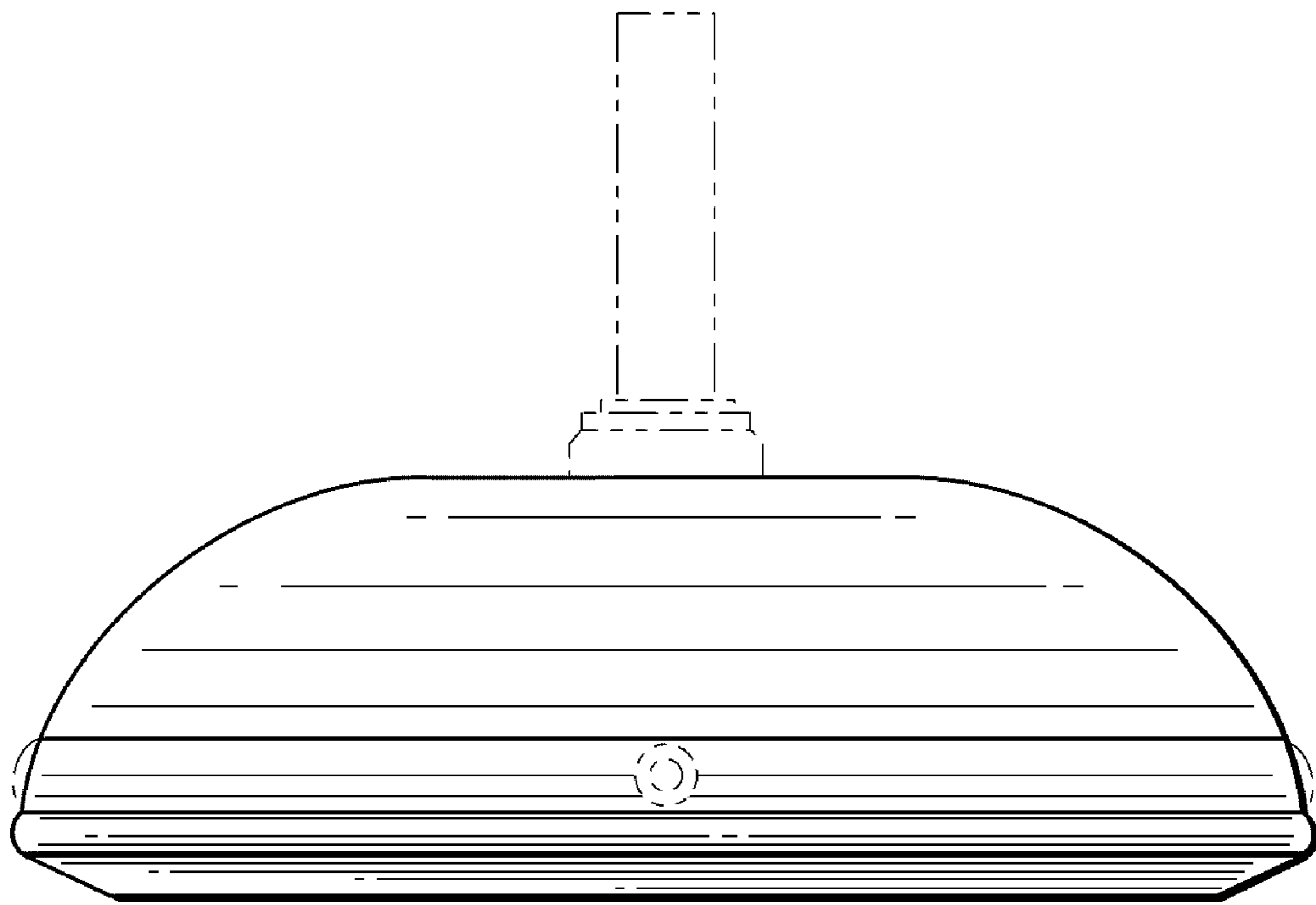


FIG. 8

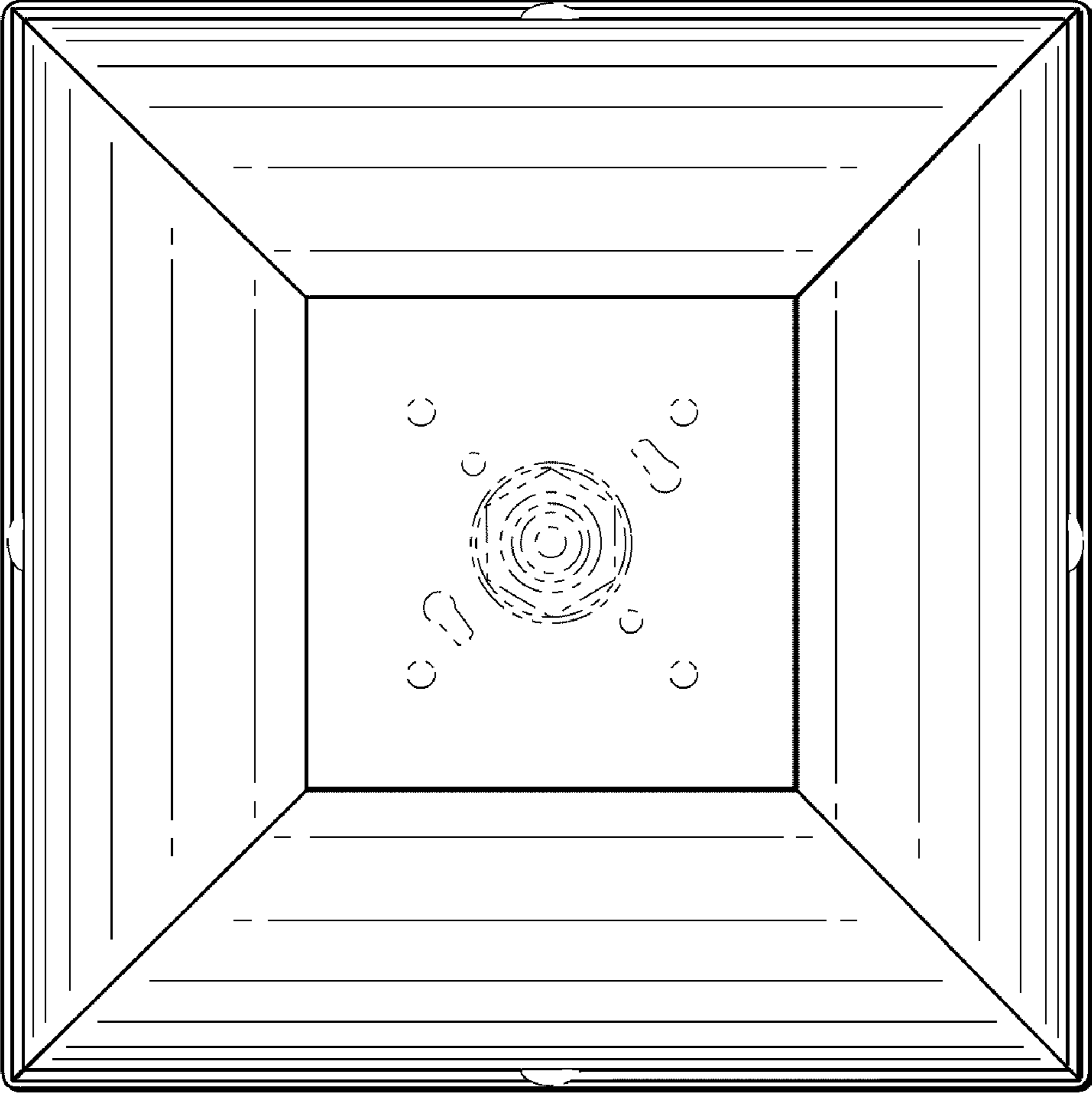


FIG. 9