



US00D603080S

(12) **United States Design Patent**
Benensohn

(10) **Patent No.:** **US D603,080 S**

(45) **Date of Patent:** **** Oct. 27, 2009**

(54) **UNDERCABINET LIGHTING FIXTURE
INCORPORATING POSITIONABLE
MOUNTING**

(76) **Inventor:** **Sanford H Benensohn**, 28310 Avenue
Crocker, Suite B, Valencia, CA (US)
91355

(**) **Term:** **14 Years**

(21) **Appl. No.:** **29/314,483**

(22) **Filed:** **Apr. 6, 2009**

(51) **LOC (9) Cl.** **26-03**

(52) **U.S. Cl.** **D26/80; D26/61**

(58) **Field of Classification Search** D26/24,
D26/36, 37, 44, 60, 61, 63, 72, 80, 138; 362/98,
362/99, 101, 182, 202, 267, 473, 477, 515
See application file for complete search history.

(56) **References Cited**

U.S. PATENT DOCUMENTS

D89,969 S *	5/1933	Mitchell	D26/44
D140,107 S *	1/1945	Lippincott	D26/76
D209,536 S *	12/1967	McCain	D26/74
D221,351 S *	8/1971	Remington	D26/86
D313,863 S *	1/1991	Macaluso	D26/29
D361,633 S *	8/1995	Chabria	D26/37

D384,762 S *	10/1997	Roorda	D26/85
D411,325 S *	6/1999	Roorda	D26/87
6,089,884 A *	7/2000	Klaus	362/648
6,508,566 B1 *	1/2003	Roorda	362/133
2009/0098764 A1 *	4/2009	Janos et al.	362/253

* cited by examiner

Primary Examiner—Clare E Heflin

(74) *Attorney, Agent, or Firm*—Michael A. Painter

(57) **CLAIM**

The ornamental design for an undercabinet lighting fixture incorporating positionable mounting, as shown and described.

DESCRIPTION

FIG. 1 is a bottom perspective view of an undercabinet lighting fixture incorporating positionable mounting illustrating my new design;

FIG. 2 is a left side elevation view thereof, the right side elevation view being identical;

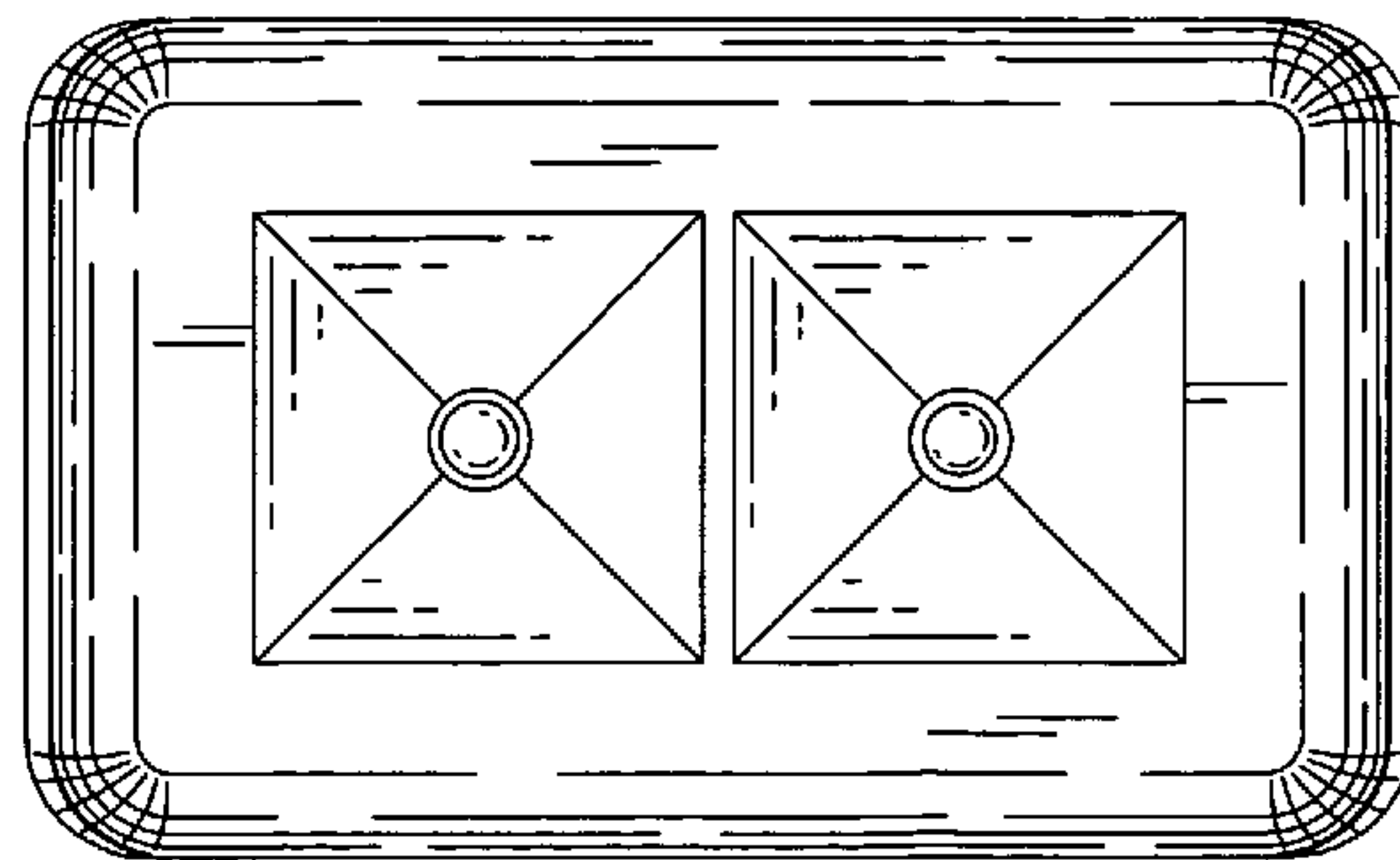
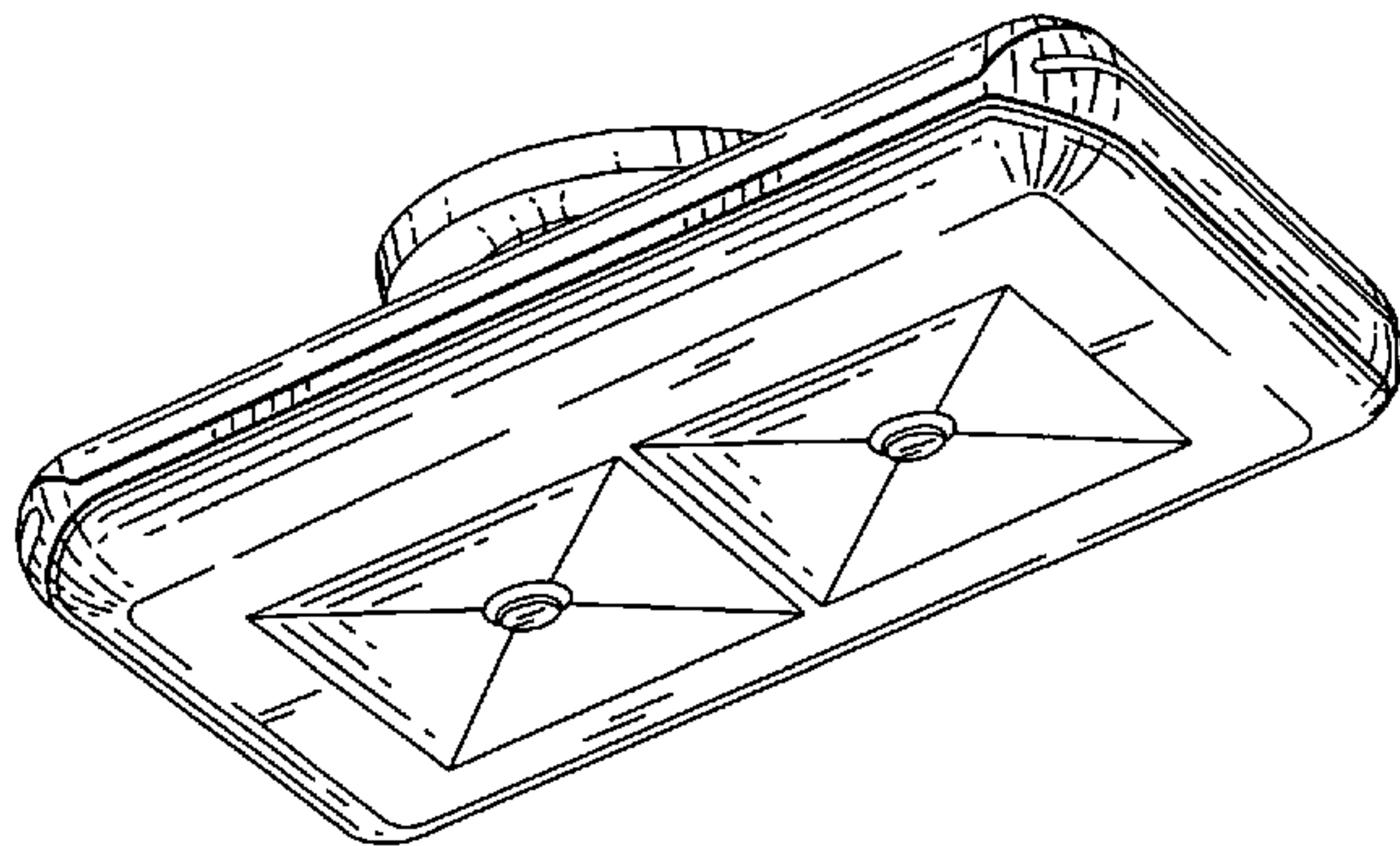
FIG. 3 is a front elevation view thereof;

FIG. 4 is a rear elevation view thereof;

FIG. 5 is a top plan view thereof; and,

FIG. 6 is a bottom plan view thereof.

1 Claim, 2 Drawing Sheets



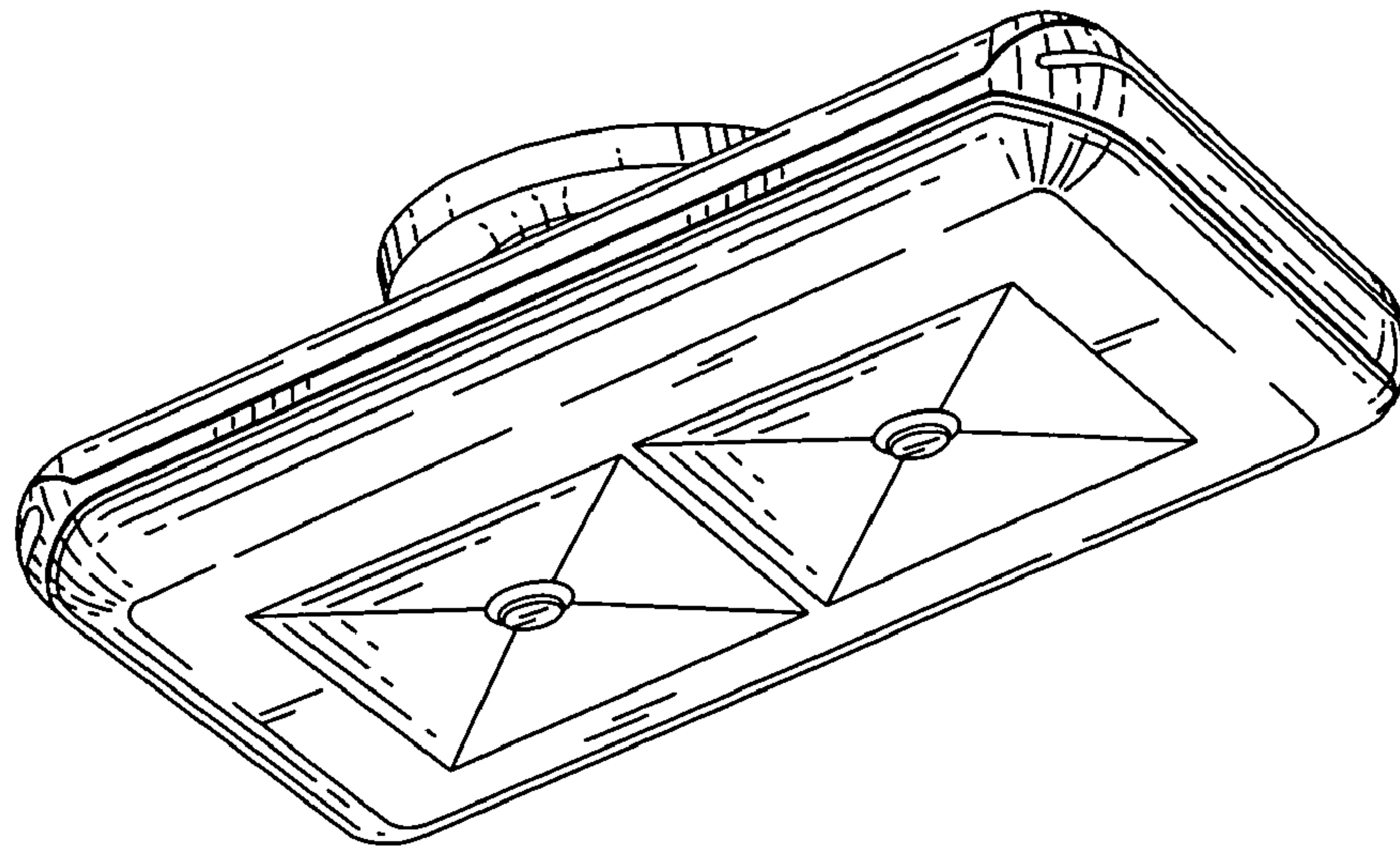


Fig. 1

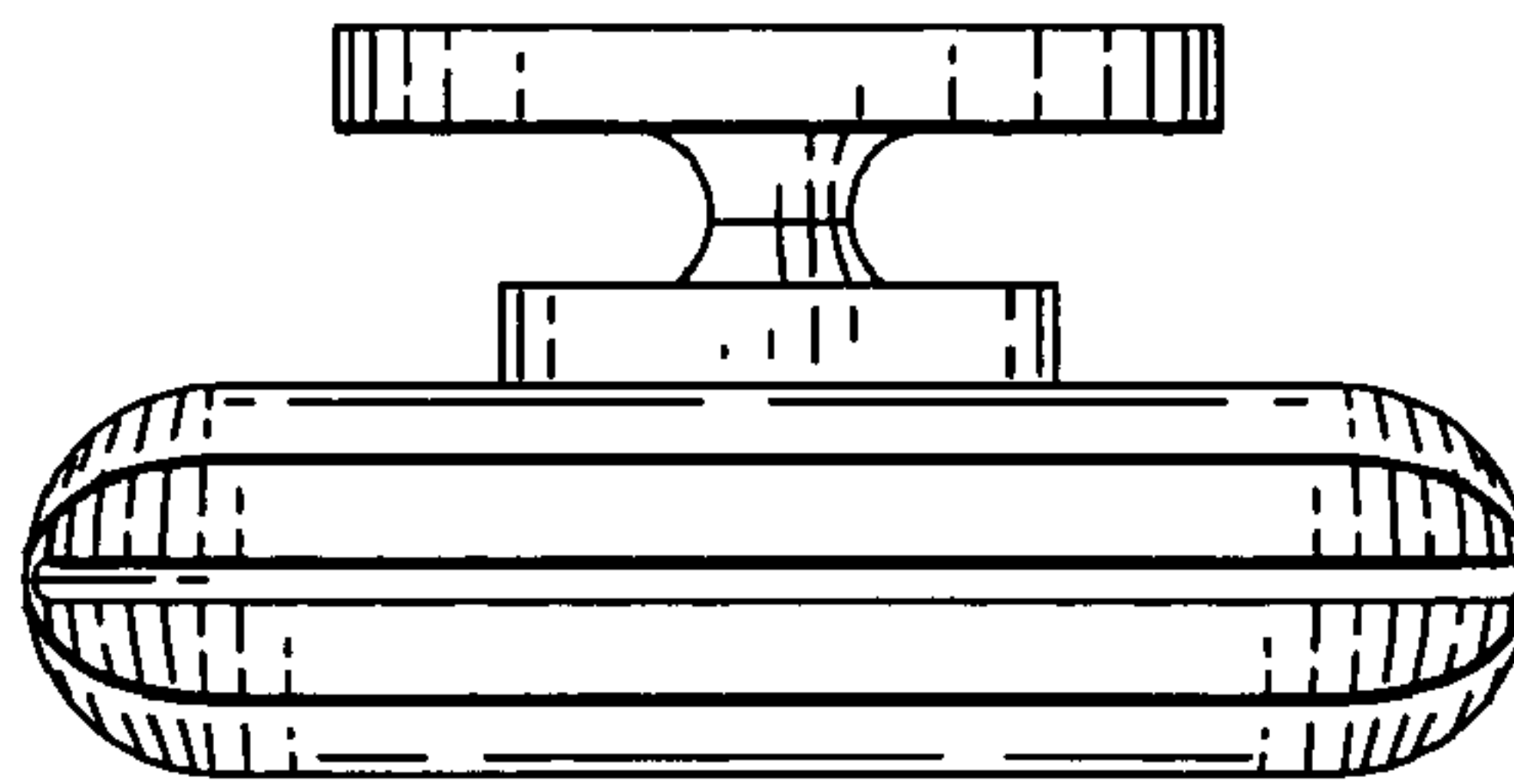


Fig. 2

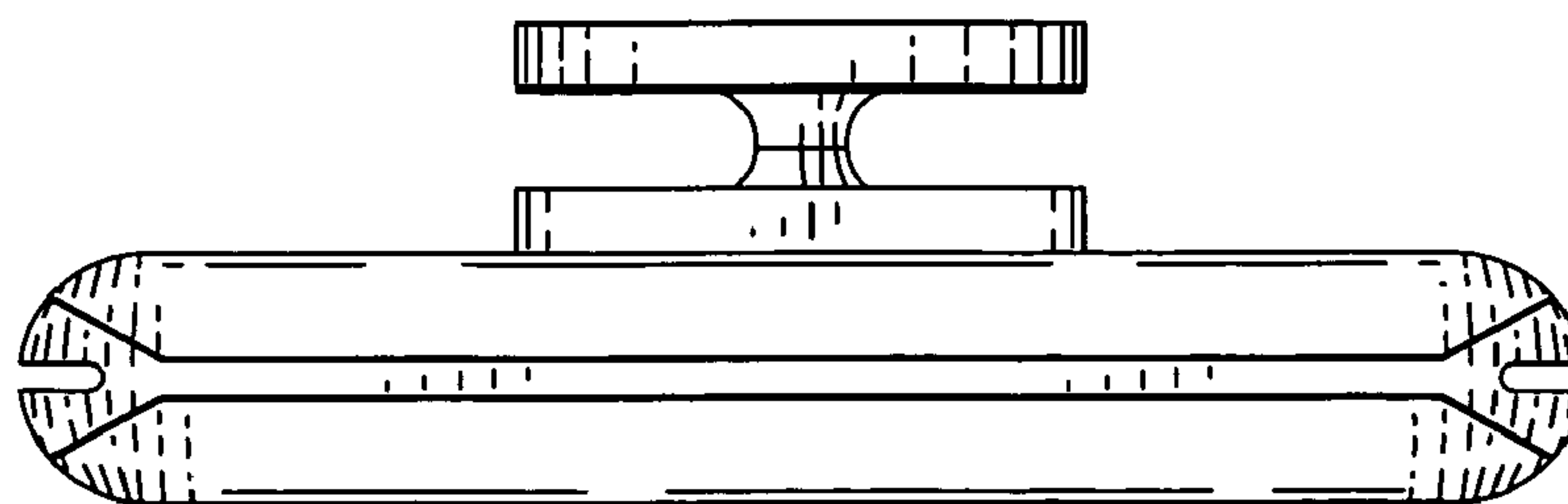


Fig. 3

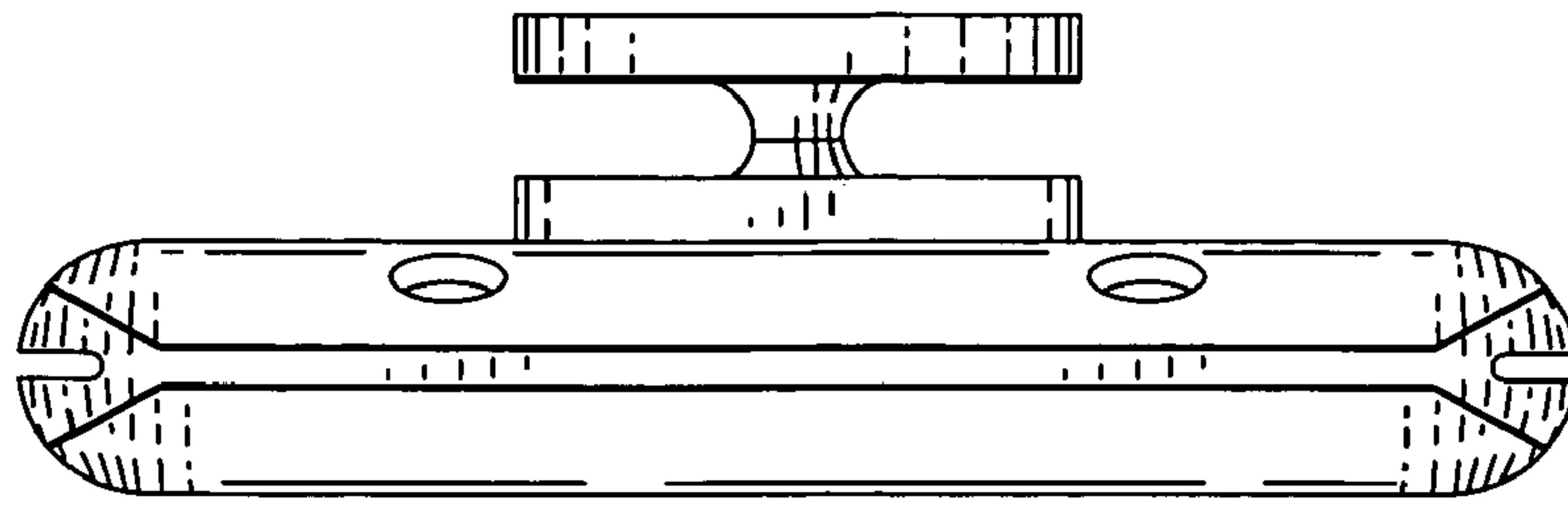


Fig. 4

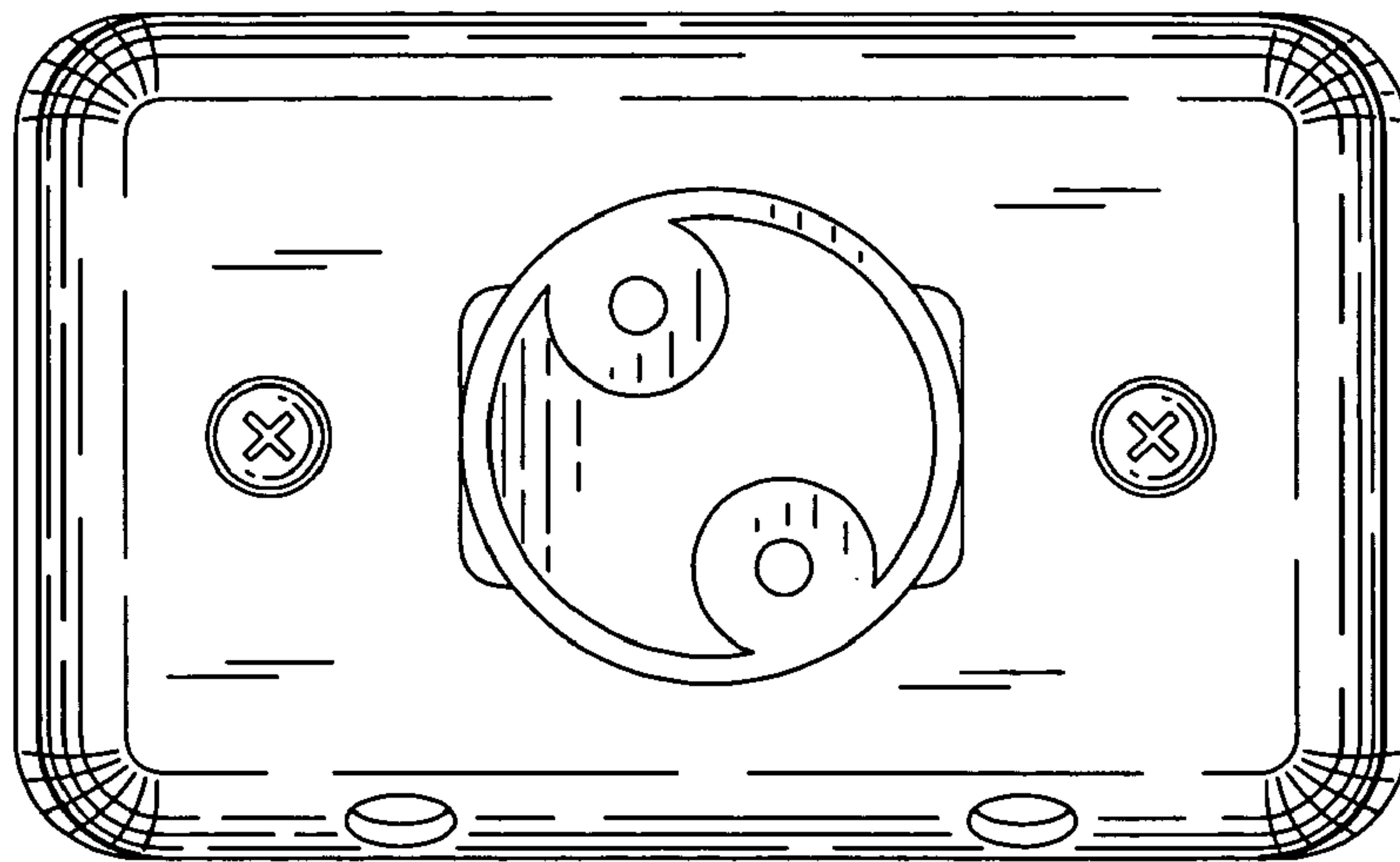


Fig. 5

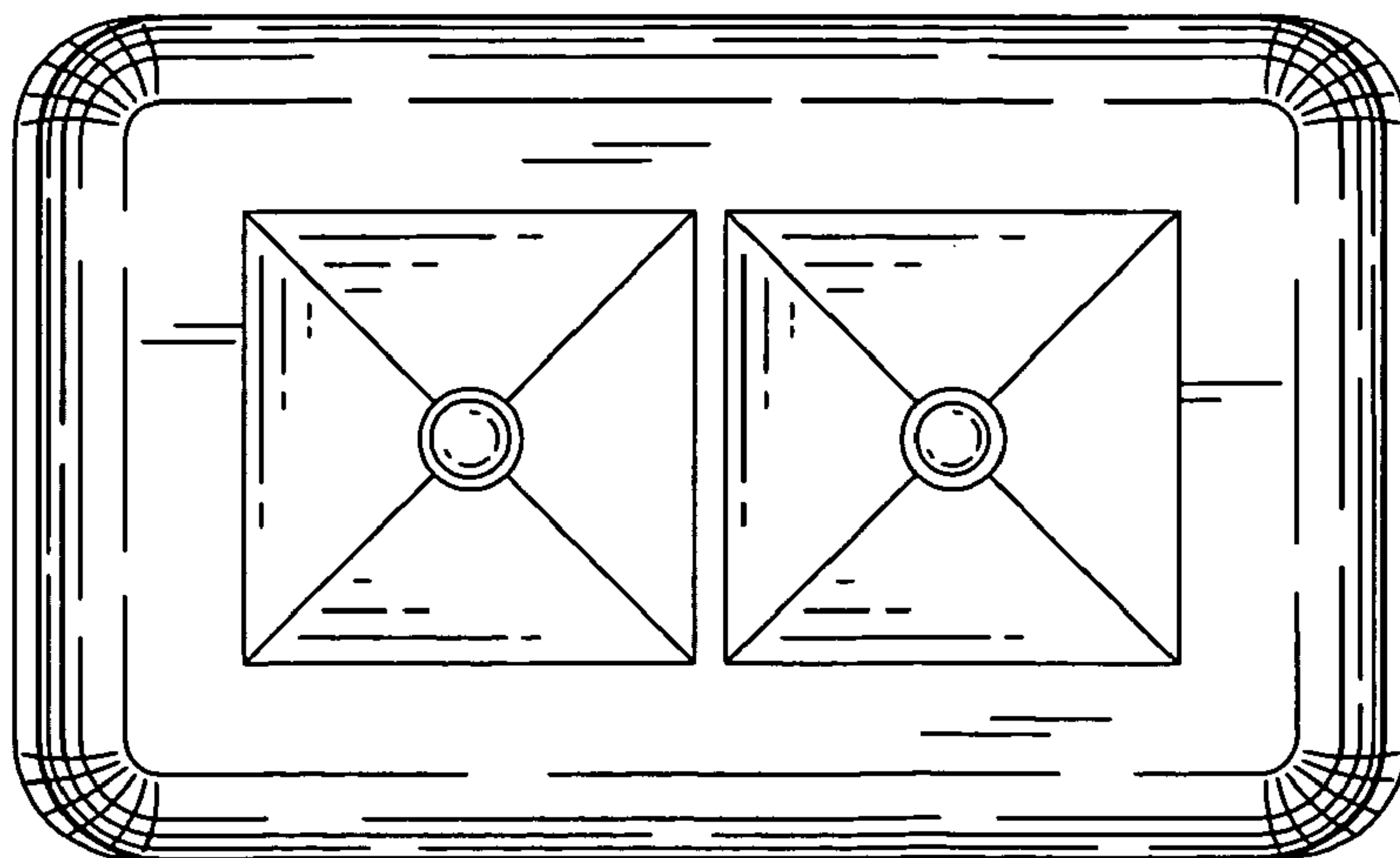


Fig. 6