



US00D603078S

(12) **United States Design Patent**
Noh

(10) **Patent No.:** **US D603,078 S**
(45) **Date of Patent:** **** Oct. 27, 2009**

(54) **LAMP APPARATUS**

2003/0021110 A1* 1/2003 Noh 362/217

(75) Inventor: **Si Chung Noh**, 624-8, Seogu-ri,
Gwangjeok-myeon, Yangju-si,
Gyeonggi-do (KR)

* cited by examiner

Primary Examiner—Philip S Hyder
Assistant Examiner—Susan E Krakower

(73) Assignee: **Si Chung Noh** (KR)

(74) *Attorney, Agent, or Firm*—Finnegan, Henderson,
Farabow, Garrett & Dunner, LLP

(**) Term: **14 Years**

(57) **CLAIM**

(21) Appl. No.: **29/312,363**

The ornamental design for a lamp apparatus, as shown and
described.

(22) Filed: **Oct. 15, 2008**

(51) **LOC (9) Cl.** **26-03**

(52) **U.S. Cl.** **D26/76**

(58) **Field of Classification Search** D26/61,
D26/72, 74–79; 362/217–225, 260–263,
362/283, 337, 347, 364; 439/225, 232–234,
439/237–241

See application file for complete search history.

DESCRIPTION

FIG. 1 is a perspective view of the “lamp apparatus” showing
a new design;

FIG. 2 is a front view thereof;

FIG. 3 is a rear view thereof;

FIG. 4 is a left-side view thereof;

FIG. 5 is a right-side view thereof;

FIG. 6 is a top plan view thereof;

FIG. 7 is a bottom view thereof;

FIG. 8 is a partial enlarged perspective view of the left portion
thereof;

FIG. 9 is a partial enlarged plan view of the left portion
thereof; and,

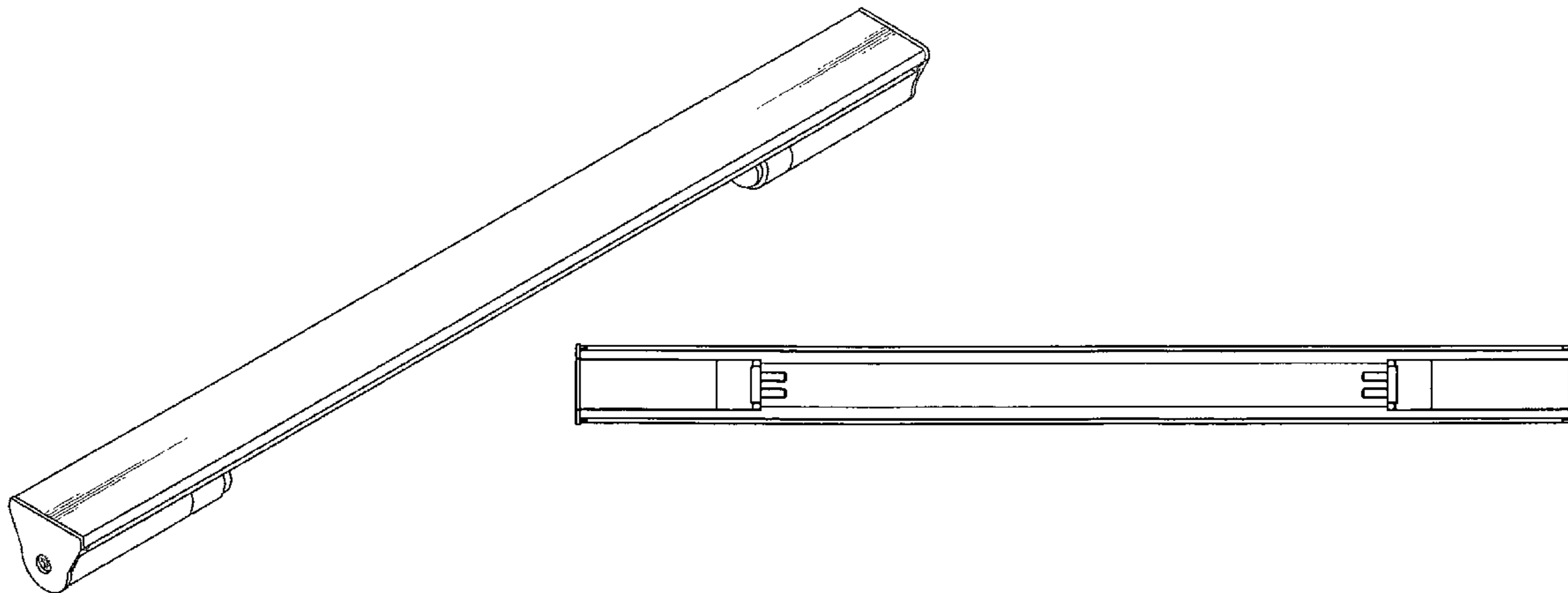
FIG. 10 is a partial enlarged bottom view of the left portion
thereof.

(56) **References Cited**

U.S. PATENT DOCUMENTS

D127,823	S	*	6/1941	Biller	D26/78
2,565,273	A	*	8/1951	Neuman	362/221
4,980,808	A	*	12/1990	Lilos	362/219
D493,245	S	*	7/2004	Delson	D26/78
D502,565	S	*	3/2005	Hetfield	D26/76
D521,676	S	*	5/2006	Richner	D26/78
D523,165	S	*	6/2006	Schultz	D26/76
D547,897	S	*	7/2007	Willmorth et al.	D26/76
D549,382	S	*	8/2007	Lee	D26/76
D564,127	S	*	3/2008	Pandorf et al.	D26/118

1 Claim, 4 Drawing Sheets



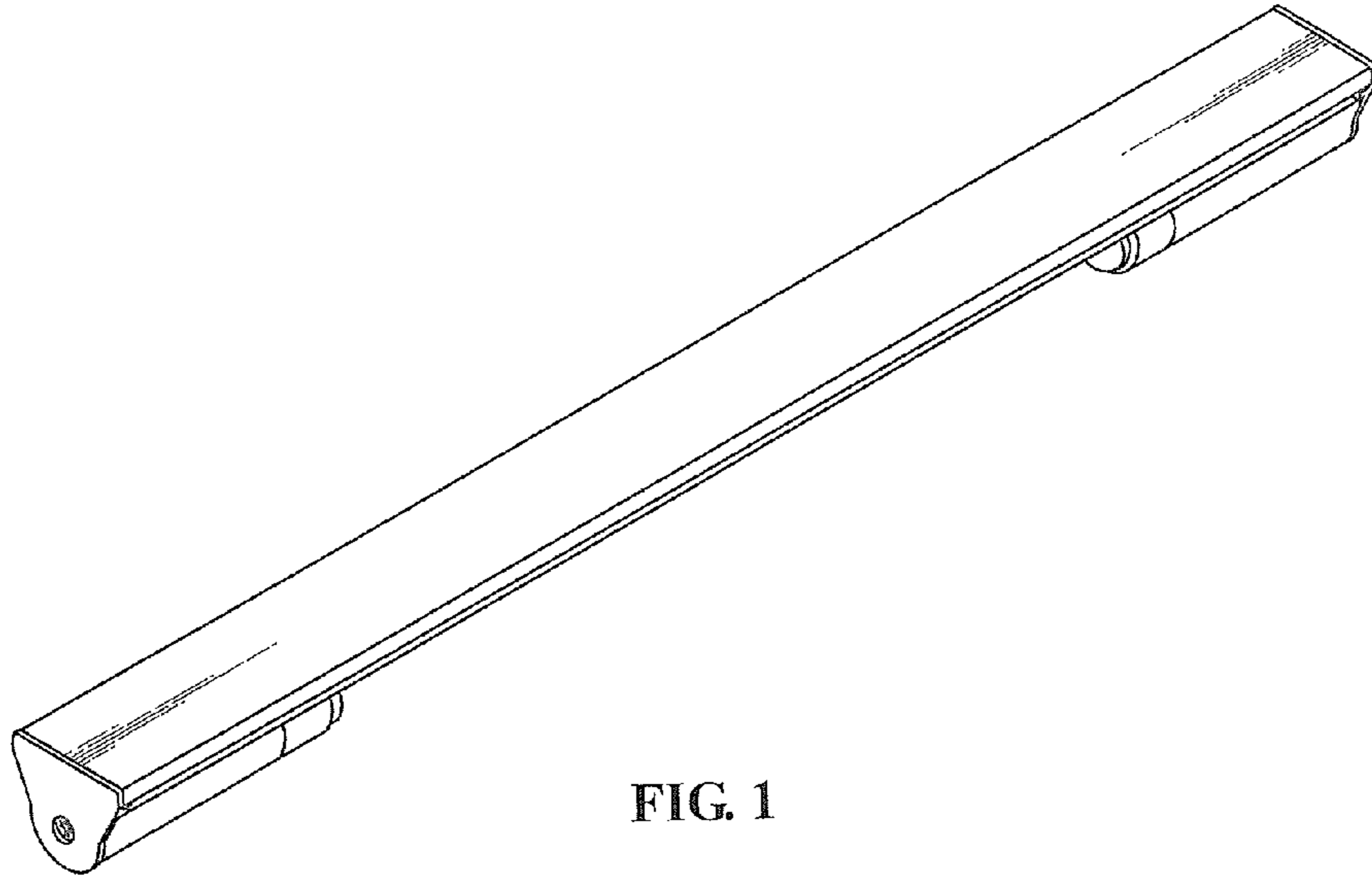


FIG. 1

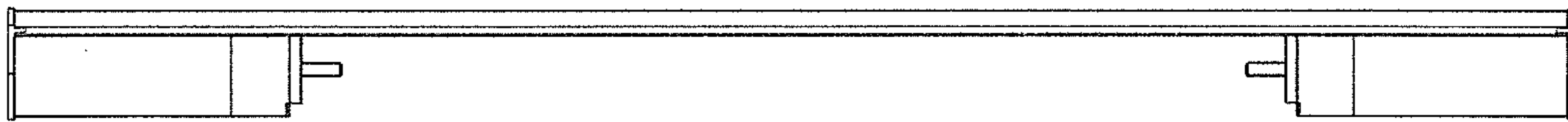


FIG. 2

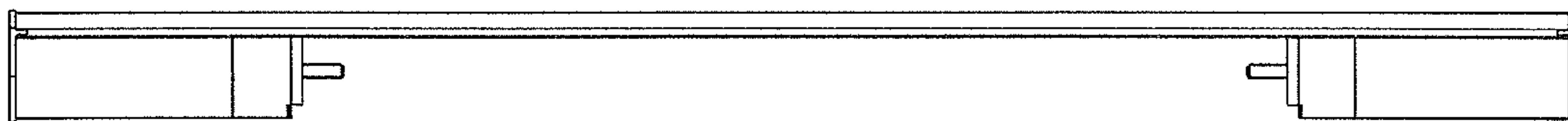


FIG. 3



FIG. 4



FIG. 5



FIG. 6

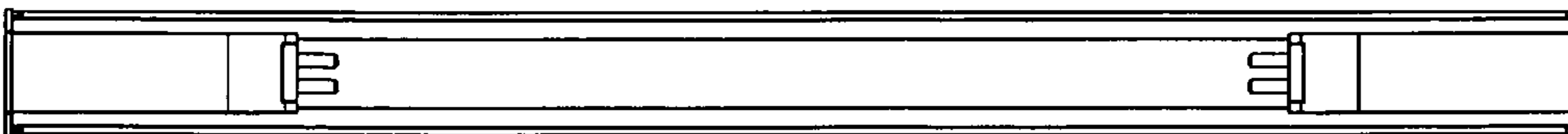


FIG. 7

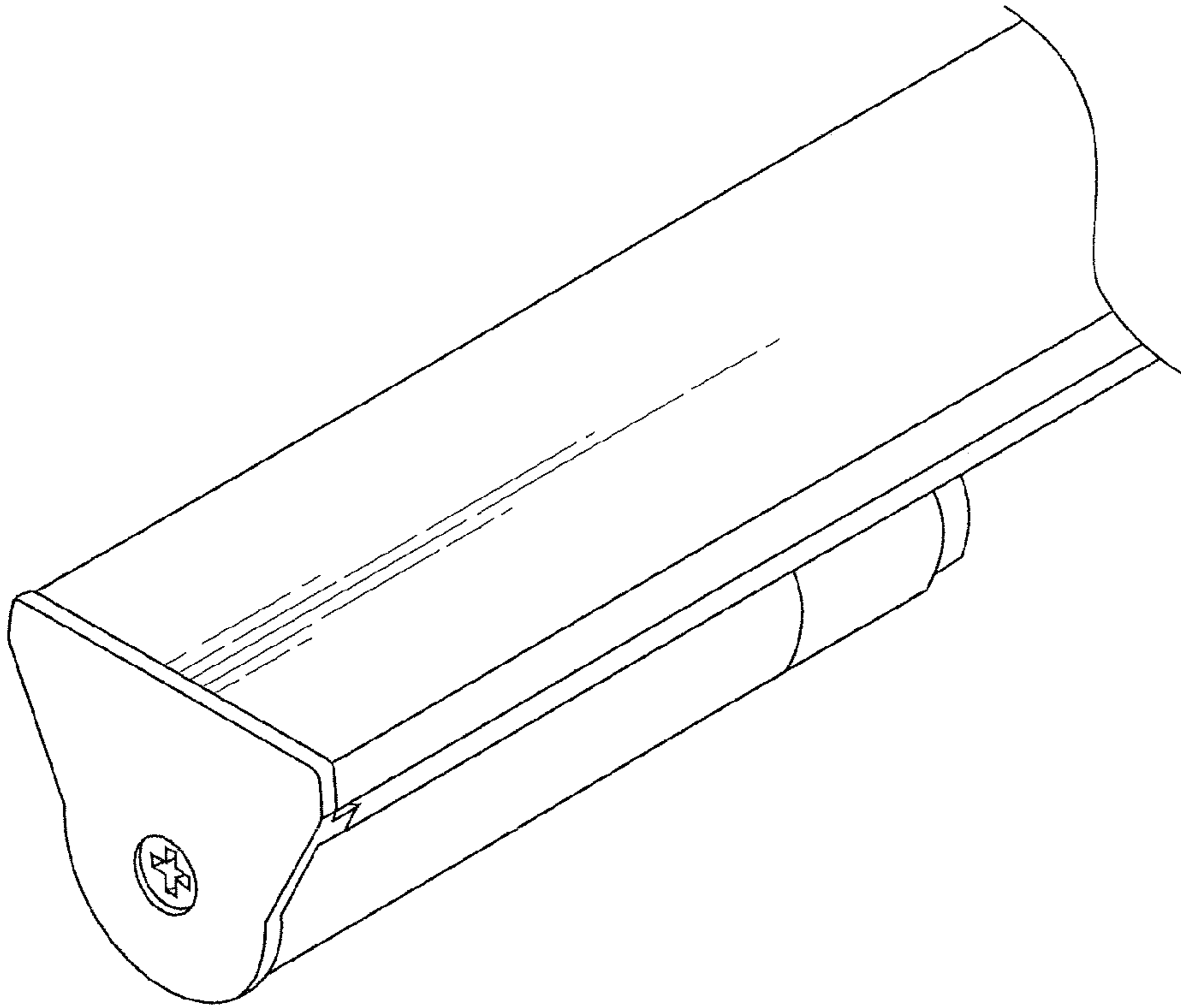


FIG. 8

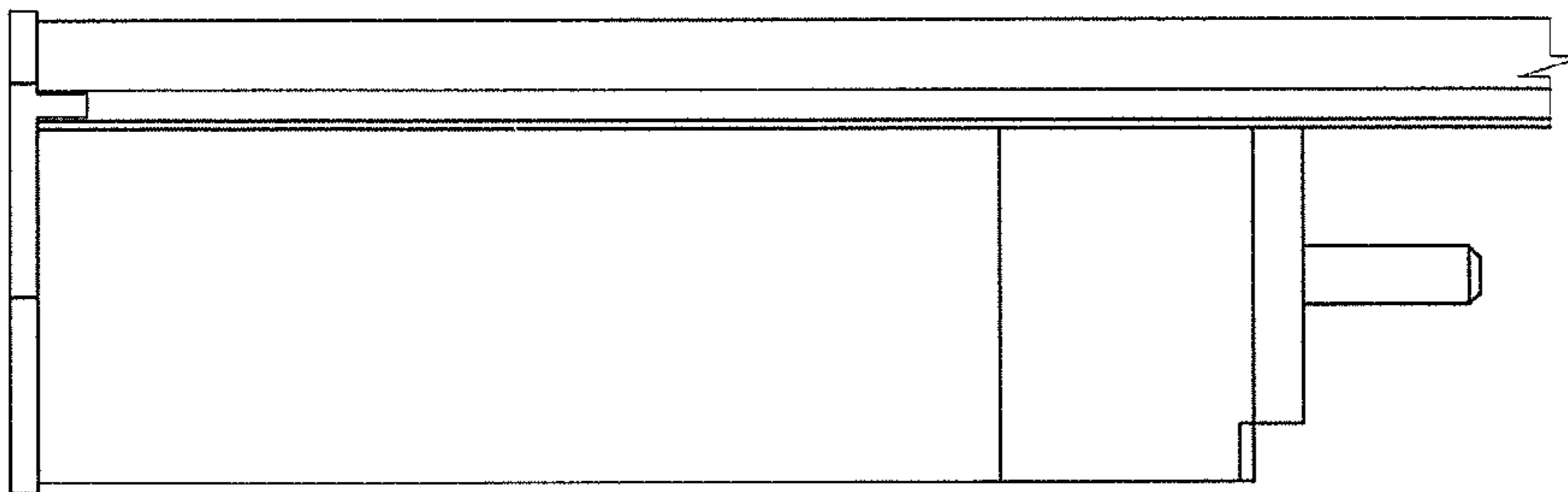


FIG. 9

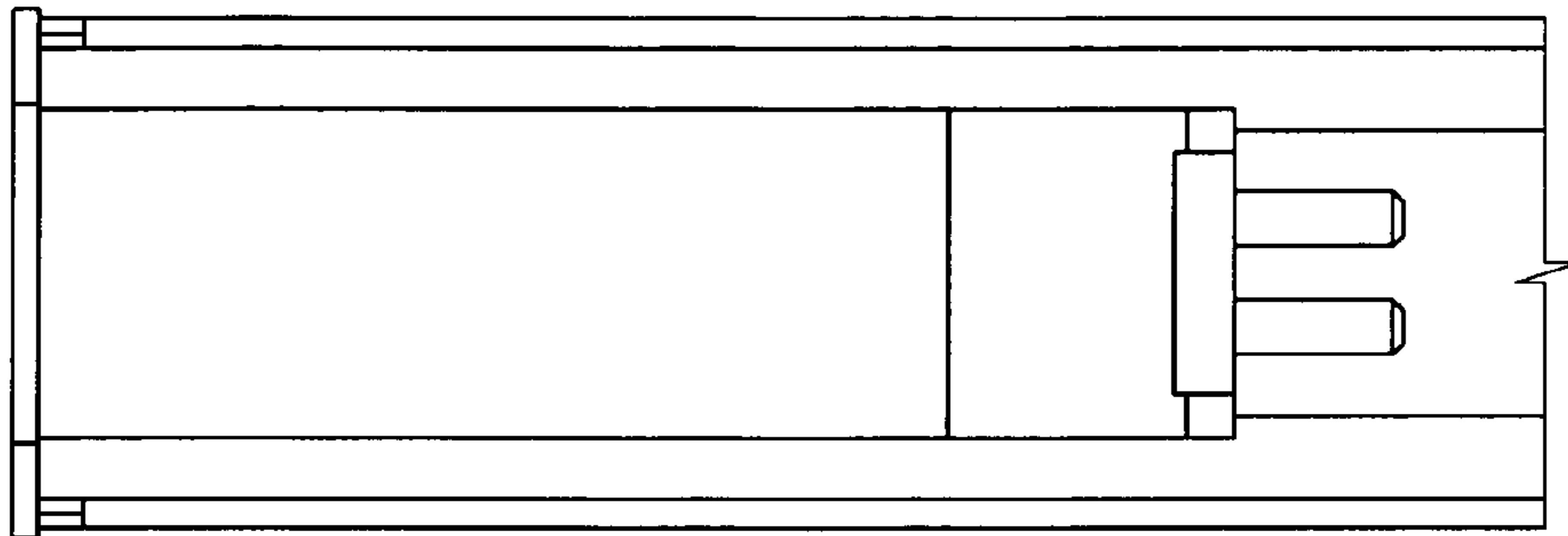


FIG. 10