



US00D603077S

(12) **United States Design Patent**
Kinnune et al.

(10) **Patent No.:** **US D603,077 S**
(45) **Date of Patent:** **** Oct. 27, 2009**

(54) **LIGHTING FIXTURE**

(75) Inventors: **Brian Kinnune**, Racine, WI (US); **Alan J. Ruud**, Racine, WI (US); **Christopher Ruud**, Franksville, WI (US); **Wayne Guillien**, Franksville, WI (US); **Russell S. Schultz**, Racine, WI (US)

(73) Assignee: **Ruud Lighting, Inc.**, Racine, WI (US)

(**) Term: **14 Years**

(21) Appl. No.: **29/306,248**

(22) Filed: **Apr. 4, 2008**

(51) **LOC (9) Cl.** **26-05**

(52) **U.S. Cl.** **D26/71; D26/85**

(58) **Field of Classification Search** D26/67-72,
D26/85, 92; 362/145, 152, 183, 294, 373,
362/414, 431, 545, 800

See application file for complete search history.

(56) **References Cited**

U.S. PATENT DOCUMENTS

2,916,609	A *	12/1959	Freier et al.	362/374
D195,583	S *	7/1963	Phillips	D26/71
3,183,346	A *	5/1965	Rodmaker et al.	D26/71
D209,081	S *	10/1967	Netland	D26/71
3,862,411	A *	1/1975	Persson	362/431
6,784,357	B1 *	8/2004	Wang	362/183
D556,935	S *	12/2007	Quioque et al.	D26/71
D573,741	S *	7/2008	Lou	D26/71
D577,455	S *	9/2008	Zheng et al.	D26/71
D578,697	S *	10/2008	Zheng et al.	D26/71
D580,582	S *	11/2008	Fan	D26/71
2008/0298051	A1 *	12/2008	Chu	362/183

OTHER PUBLICATIONS

Masthead LED street lights by Joliet Technology. Models JOL2, JOL4 and JOL6. Found online at www.led-france.com. Adobe document created Jul. 8, 2008.*

Excerpt from enLux Lighting (www.enluxled.com), "enLux 6K Series LED Outdoor Area Light", 3 pages. Date: undated.

Excerpt from enLux Lighting (www.enluxled.com), "enLux 6K Series Theatrical Area Light", 1 page.

(Continued)

Primary Examiner—Clare E Heflin

(74) *Attorney, Agent, or Firm*—Jansson Shupe & Munger Ltd.

(57) **CLAIM**

The ornamental design for a lighting fixture, as shown and described.

DESCRIPTION

FIG. 1 is a perspective view from above of the lighting fixture; FIG. 2 is a perspective view from below of the lighting fixture of FIG. 1;

FIG. 3 is a right-side elevation of the lighting fixture of FIG. 1, the left-side elevation view being a mirror image thereof;

FIG. 4 is a bottom plan view of the lighting fixture of FIG. 1;

FIG. 5 is a top plan view of the lighting fixture of FIG. 1;

FIG. 6 is a perspective view from above of a second embodiment of the design of FIG. 1, the only difference being in proportional size of the finned portion;

FIG. 7 is a perspective view from below of the lighting fixture of FIG. 6;

FIG. 8 is a right-side elevation of the lighting fixture of FIG. 6, the left-side elevation view being a mirror image thereof;

FIG. 9 is a bottom plan view of the lighting fixture of FIG. 6;

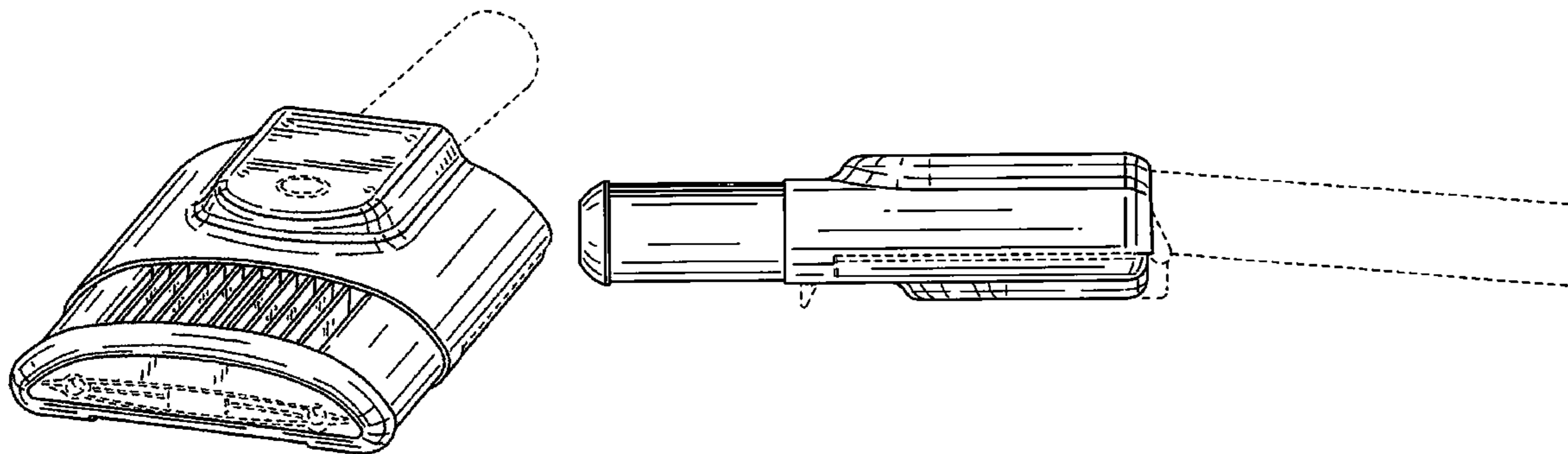
FIG. 10 is a top plan view of the lighting fixture of FIG. 6;

FIG. 11 is a front elevation of the lighting fixture of FIGS. 1 and 6; and,

FIG. 12 is a rear elevation of the lighting fixture of FIGS. 1 and 6.

The phantom lines are provided for illustrative purposes only and form no part of the claimed design.

1 Claim, 7 Drawing Sheets



OTHER PUBLICATIONS

Alpha One GmbH, "Falcon Flood-LED", 5 pages. Date: undated.

Alpha One GmbH, "Savi Architectural LED Lighting", 3 pages.
Date: undated.

Excerpt from Supervision International website (www.svision.com),
"Savi Sho", 2 pages. Date: undated.

Excerpt from Supervision International website (www.svision.com),
"Savi Sho" technical specification, 2 pages. Date: undated.

Leotek brochure, "LED Outdoor Luminaire & Light Fixtures", 2
pages. Date: undated.

Excerpt from enLux Lighting (www.enluxled.com), "enLux 1K LED
Light Bar Module", 2 pages.

* cited by examiner

FIG. 1

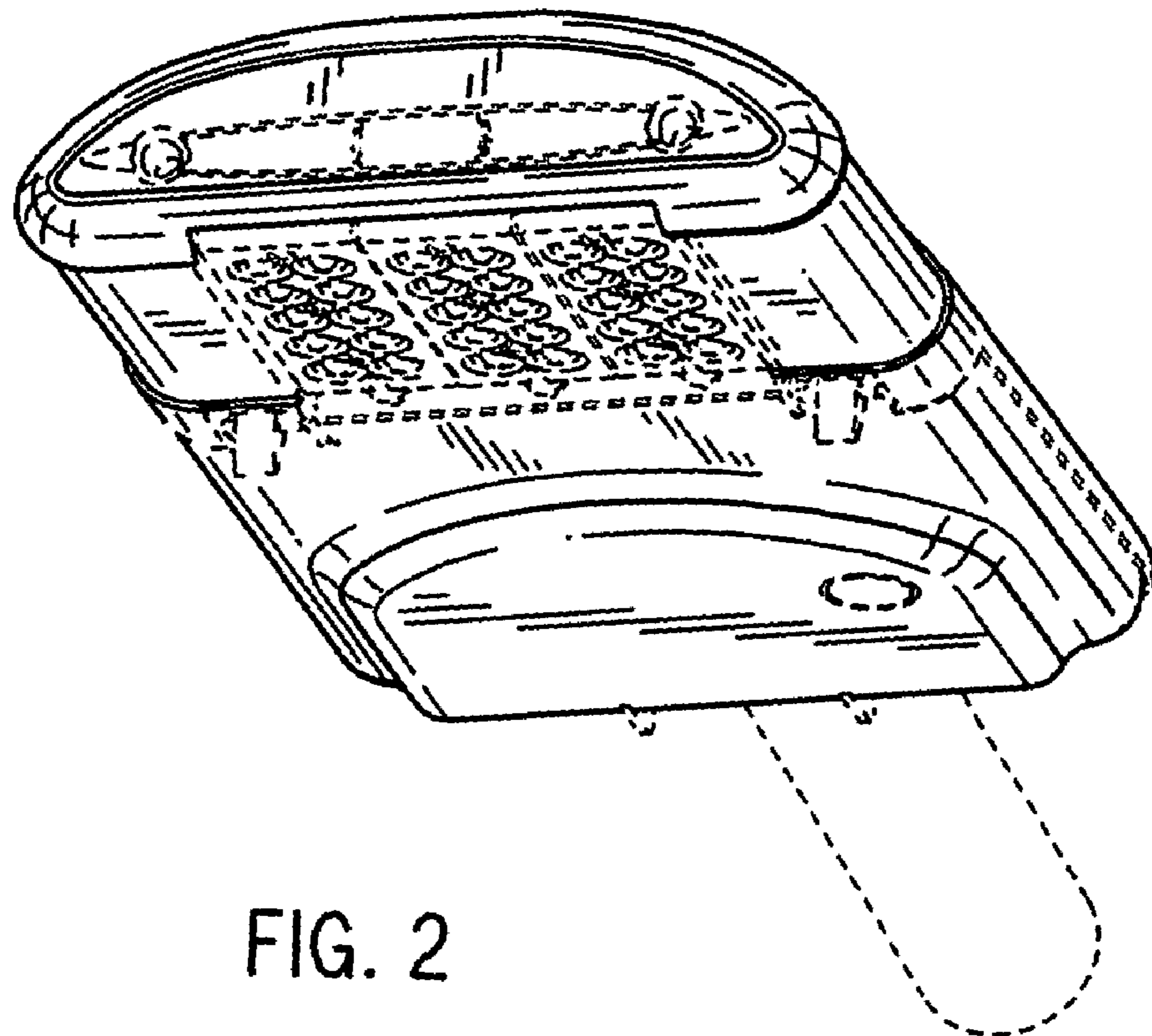
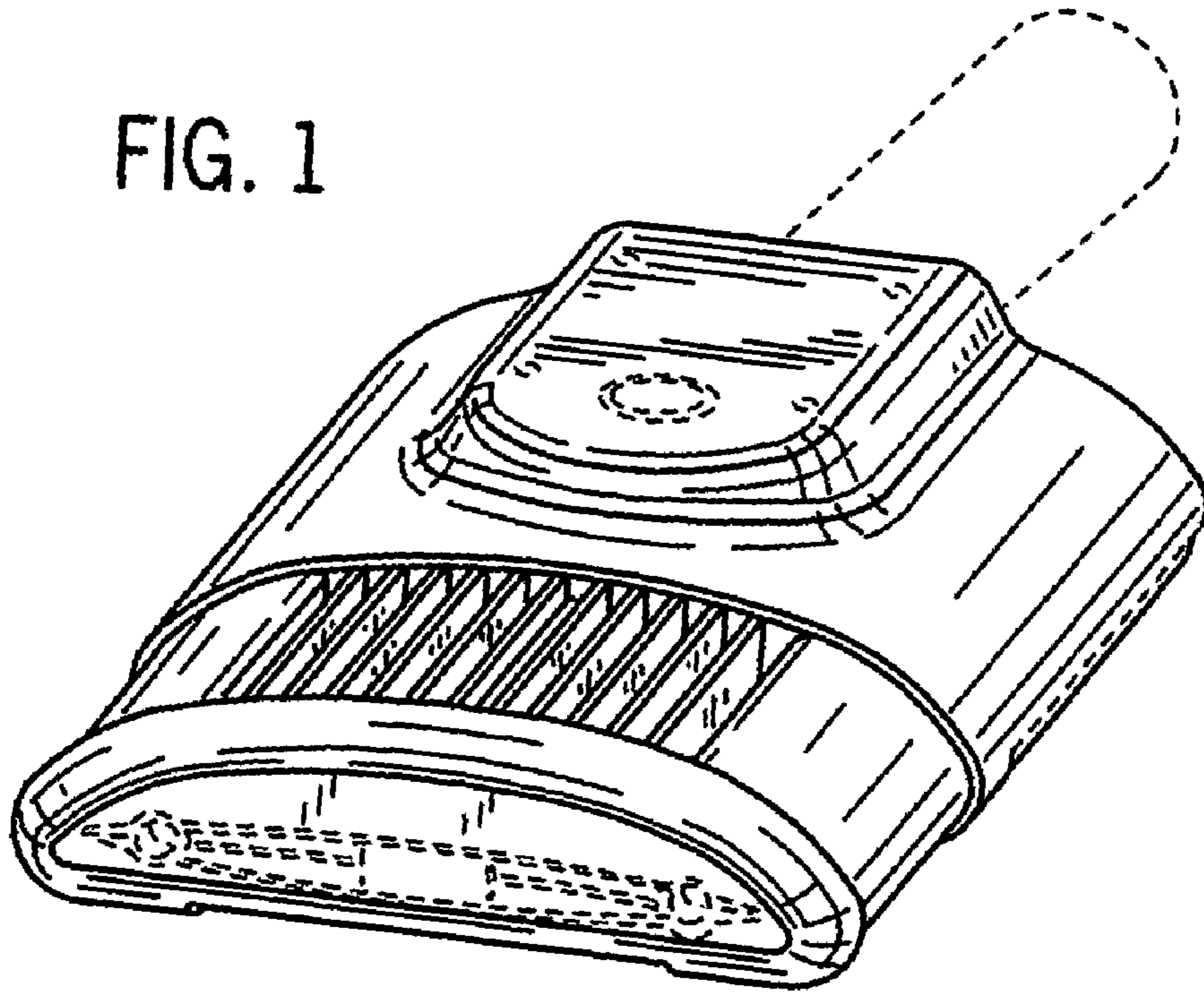


FIG. 2

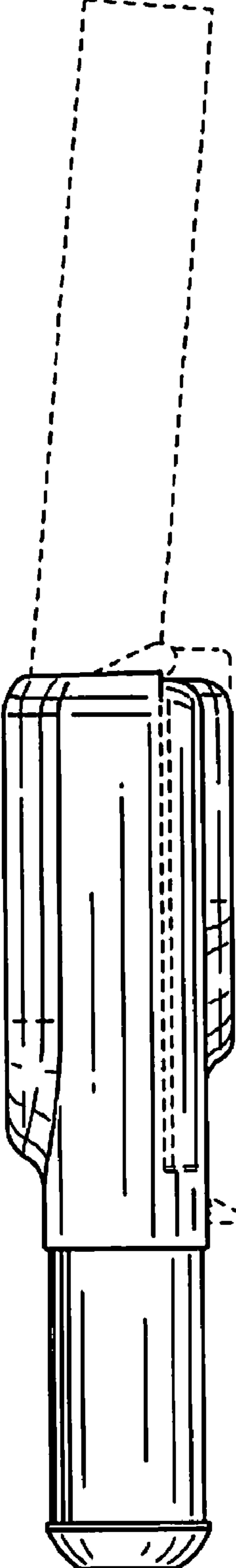


FIG. 3

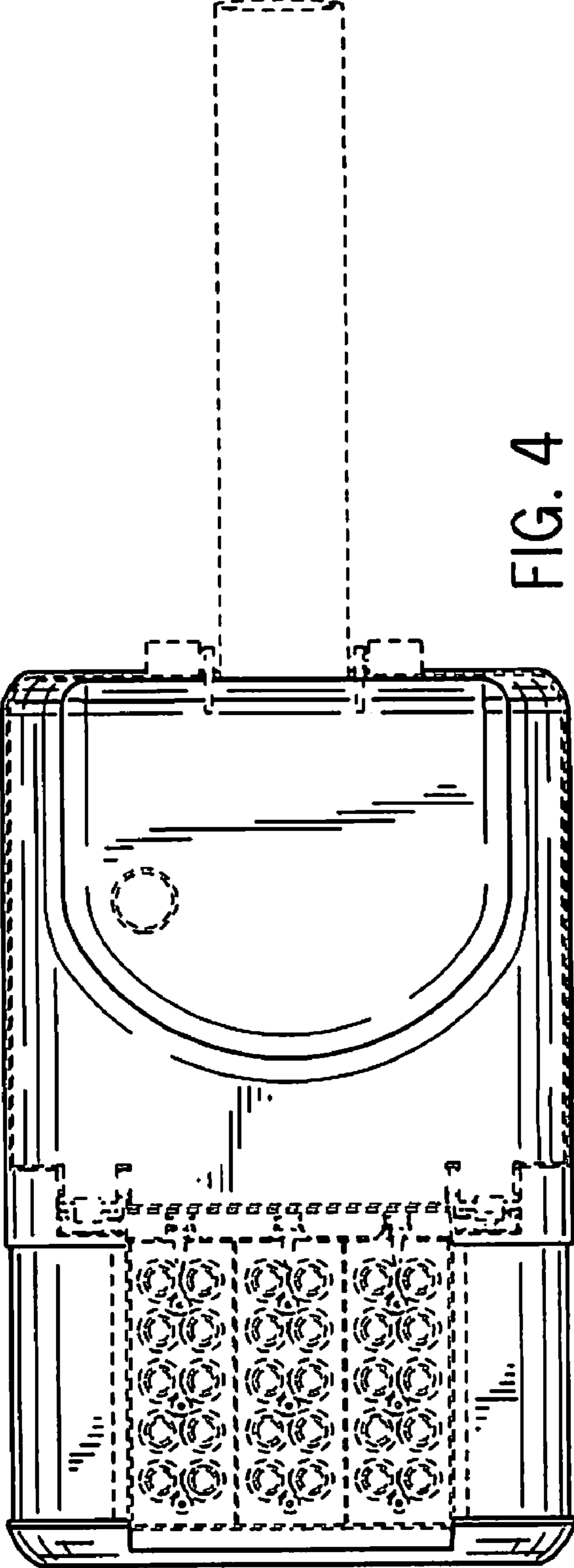


FIG. 4

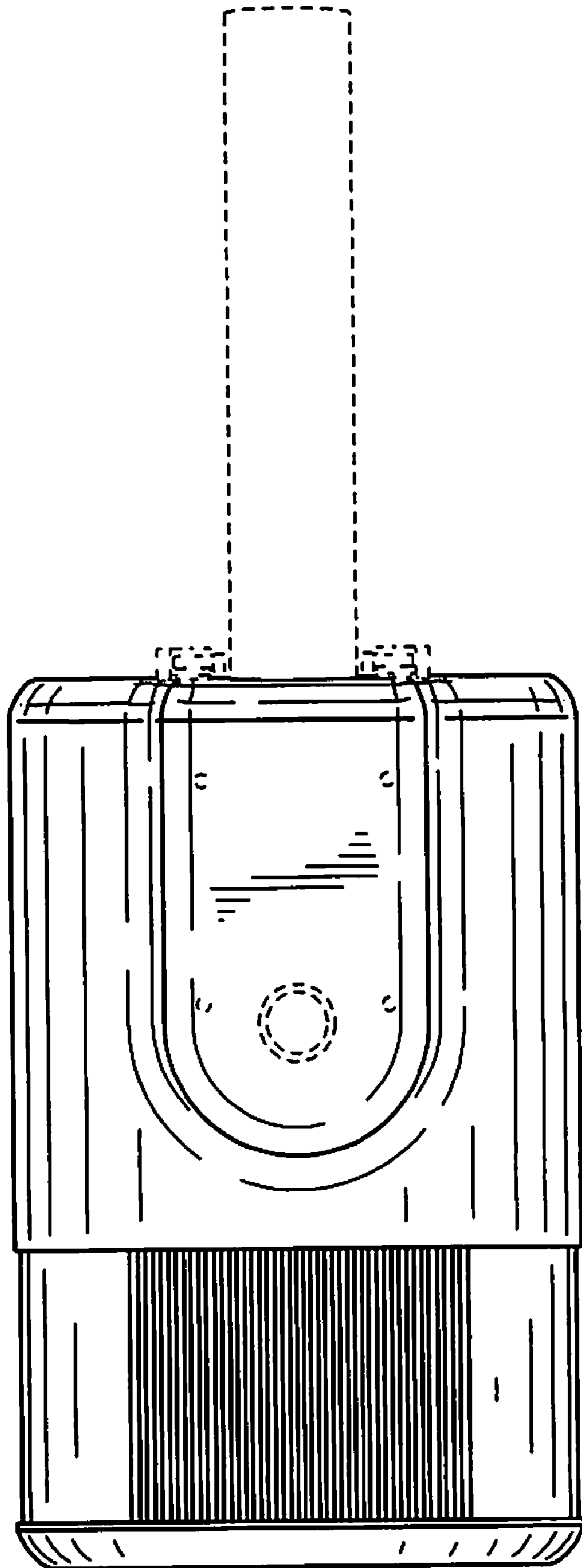


FIG. 5

FIG. 6

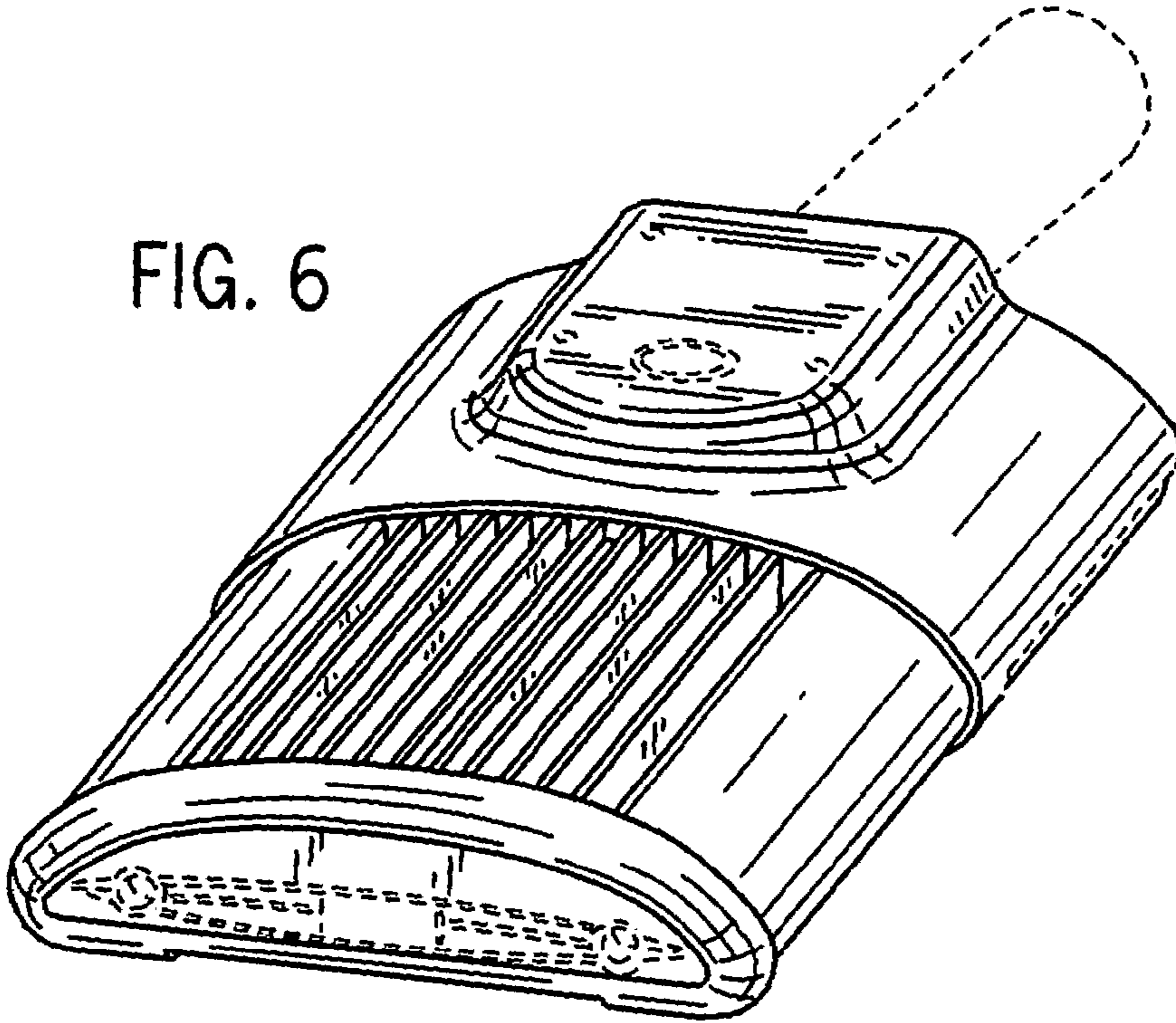


FIG. 7

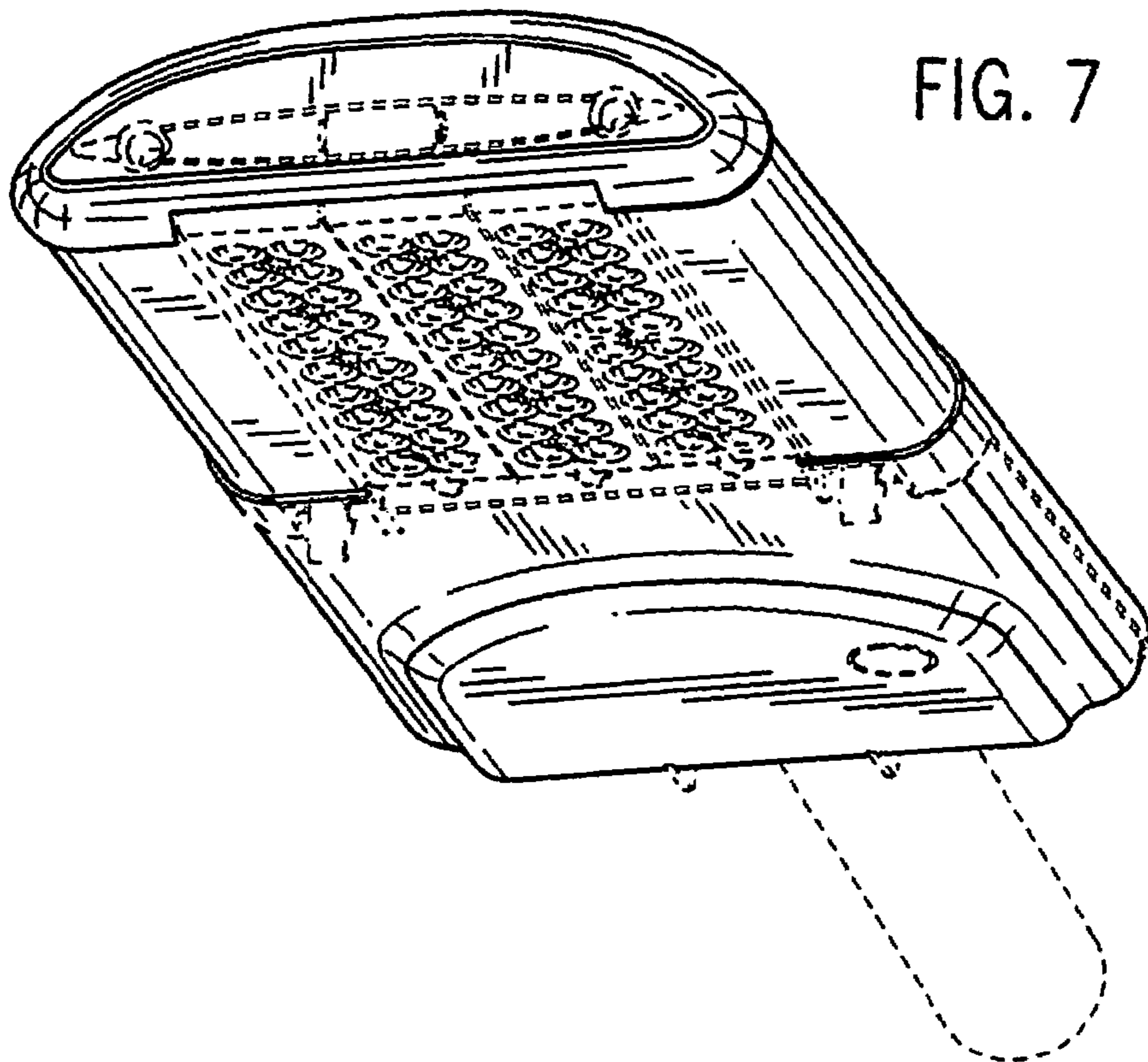


FIG. 8

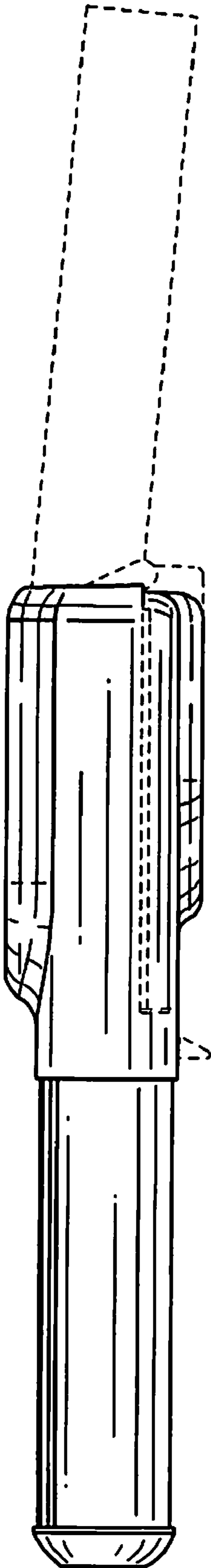
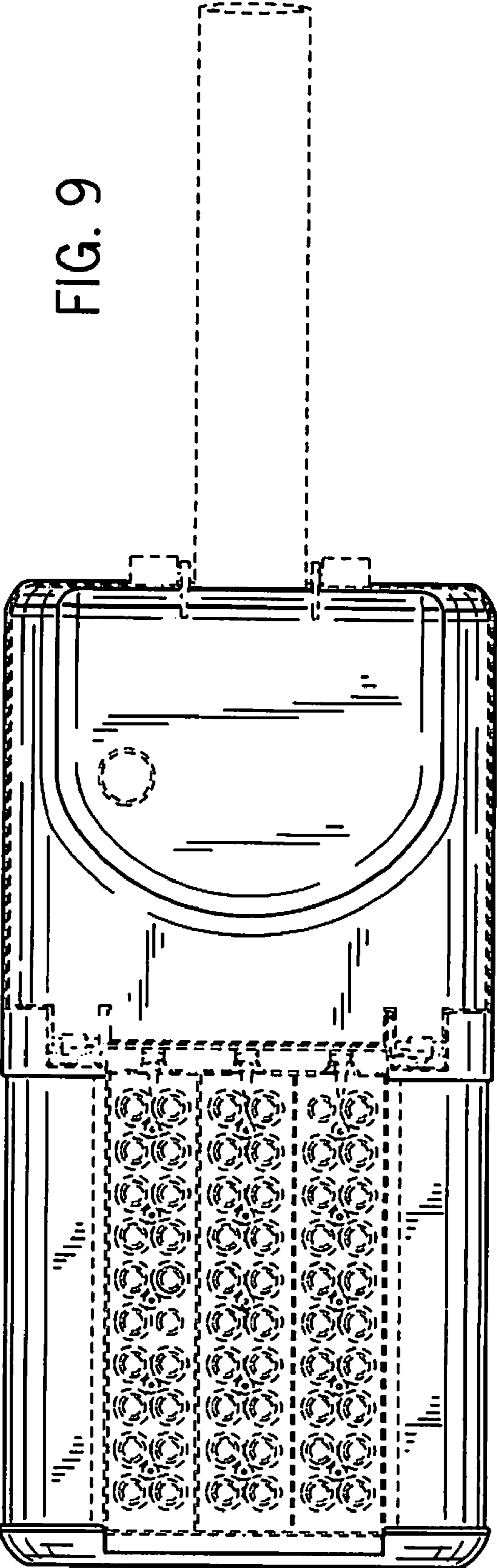


FIG. 9



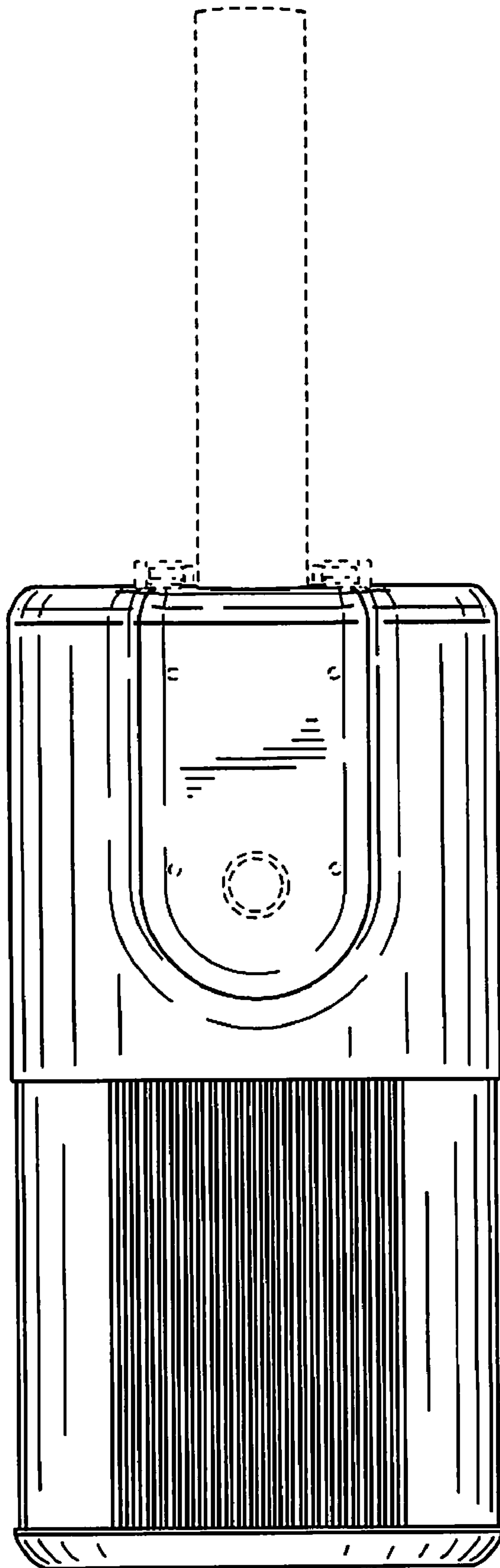


FIG. 10

FIG. 11

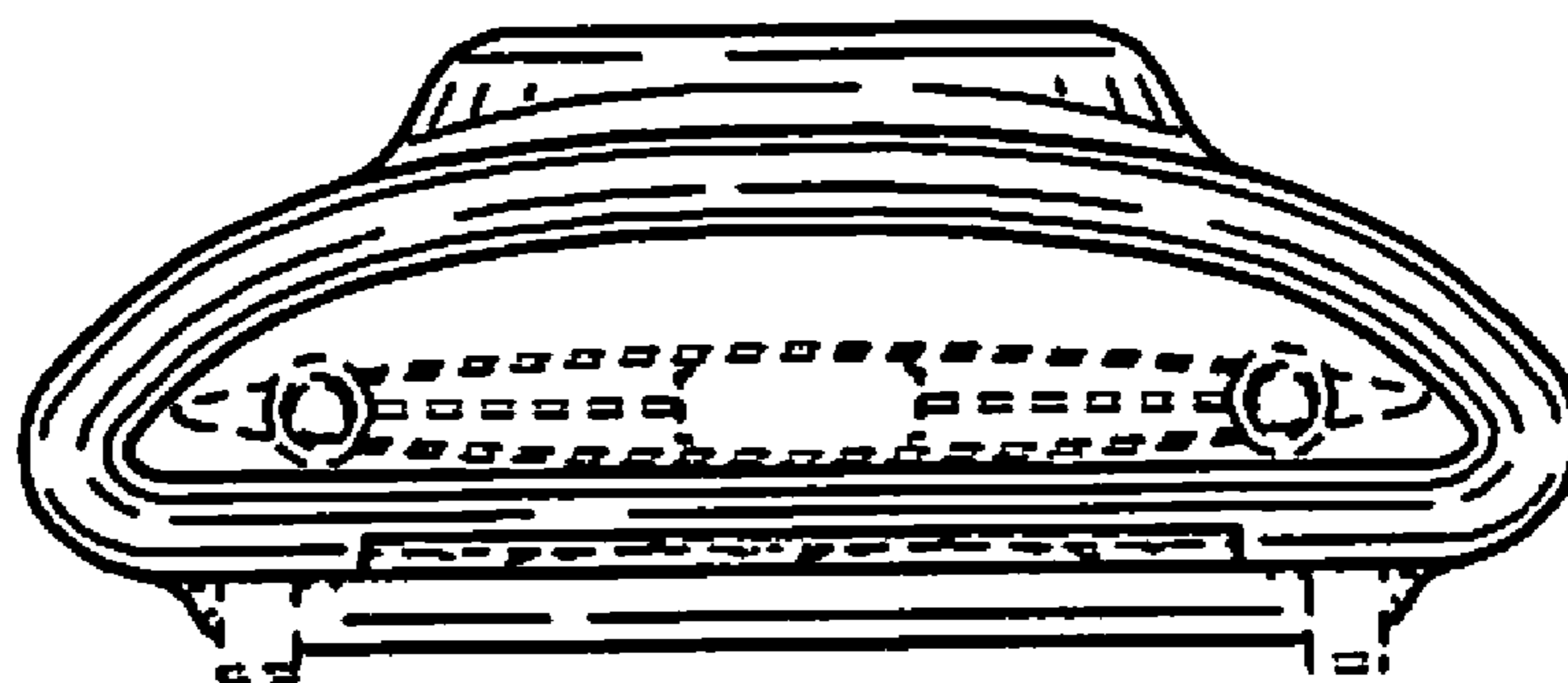


FIG. 12

