



US00D603073S

(12) **United States Design Patent**
Muraille et al.

(10) **Patent No.:** **US D603,073 S**
(45) **Date of Patent:** **** Oct. 27, 2009**

(54) **HEADLAMP ELEMENT FOR A VEHICLE**

D471,657 S * 3/2003 Huang D26/28
D487,320 S * 3/2004 Huang D26/28

(75) Inventors: **Natacha Muraille**, Moussy le Neuf
(FR); **Christophe Dubosc**, Villemomble
(FR)

* cited by examiner

(73) Assignee: **Valeo Vision**, Bobigny Cedex (FR)

Primary Examiner—Marcus A Jackson

(**) Term: **14 Years**

(74) *Attorney, Agent, or Firm*—Locke Lord Bissell & Liddell
LLP

(21) Appl. No.: **29/197,884**

(57) **CLAIM**

(22) Filed: **Jan. 20, 2004**

We claim the ornamental design for a headlamp element for a
vehicle, as shown and described.

(30) **Foreign Application Priority Data**

Jul. 21, 2003 (FR) 03 3670

DESCRIPTION

(51) **LOC (9) Cl.** **26-06**

(52) **U.S. Cl.** **D26/28**

(58) **Field of Classification Search** D26/28-36,
D26/139; 362/61, 74, 147, 330, 331, 336,
362/372

FIG. 1 is a front perspective view of a headlamp element for
a vehicle showing our new design;

FIG. 2 is a front plan view thereof;

FIG. 3 is a top plan view thereof, the bottom, right and left side
views being the same as the top plan view; and,

FIG. 4 is a sectional view thereof taken along the lines 4—4
of FIG. 2.

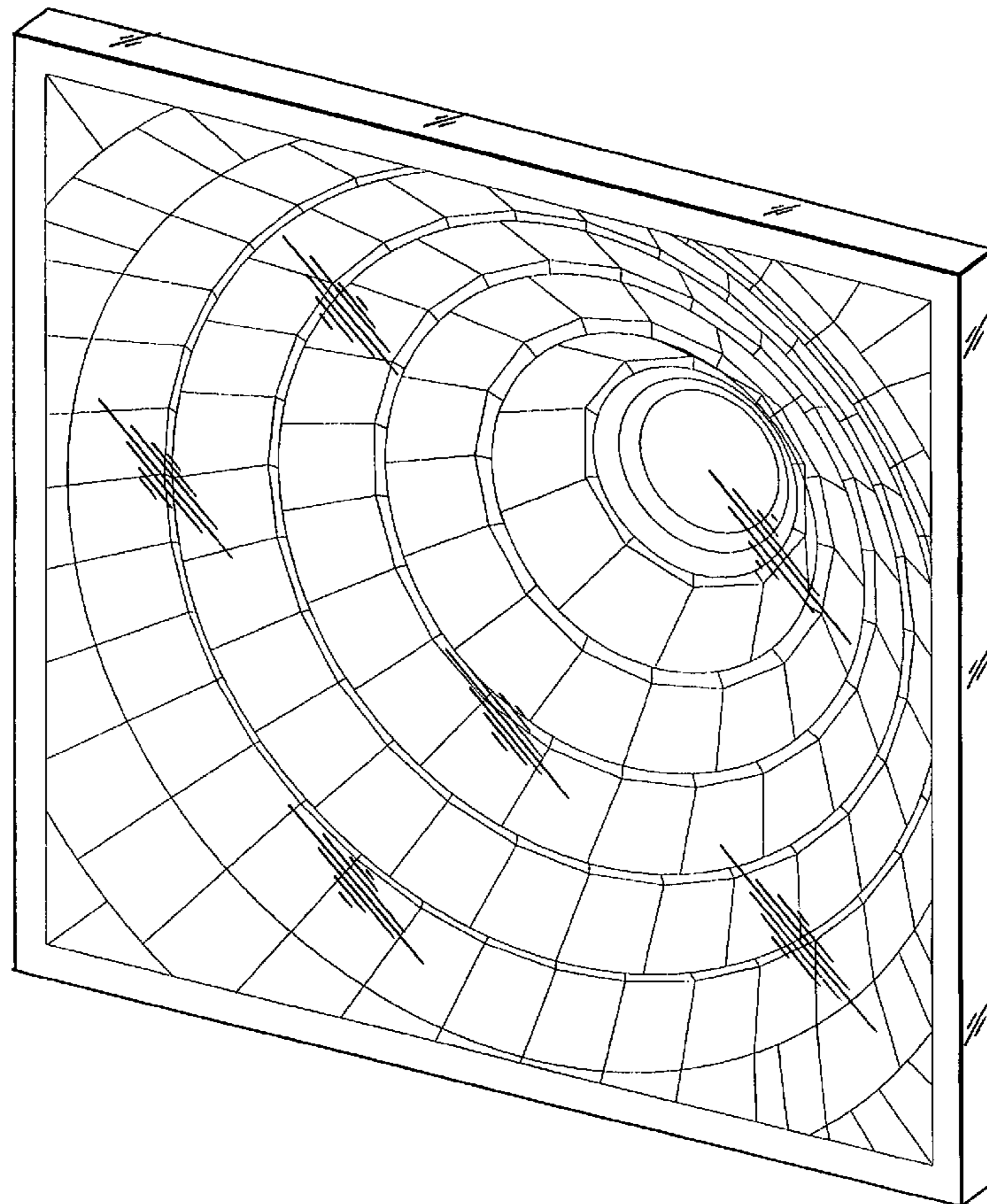
See application file for complete search history.

(56) **References Cited**

U.S. PATENT DOCUMENTS

D465,860 S * 11/2002 Huang D26/28

1 Claim, 4 Drawing Sheets



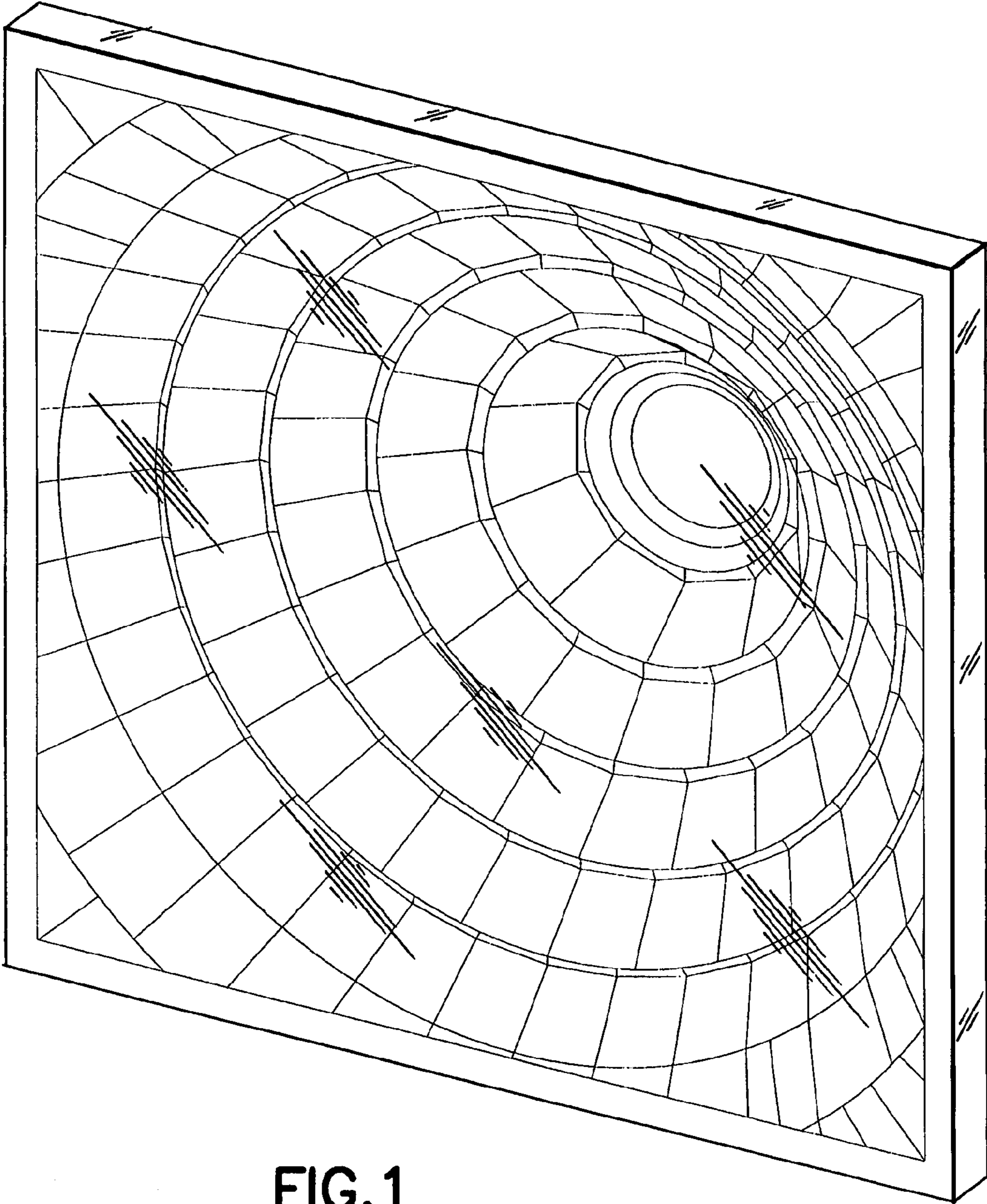


FIG. 1

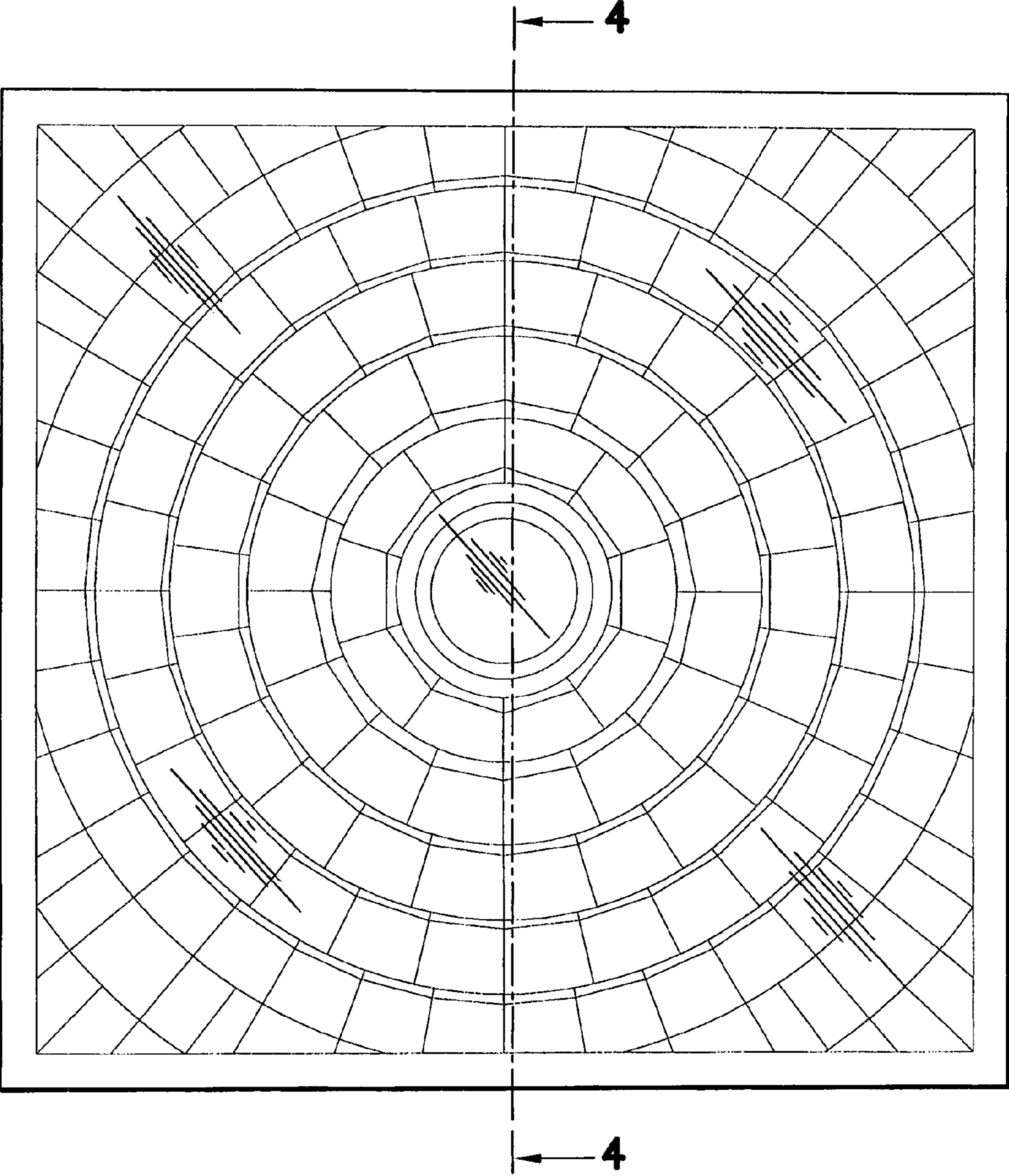


FIG.2

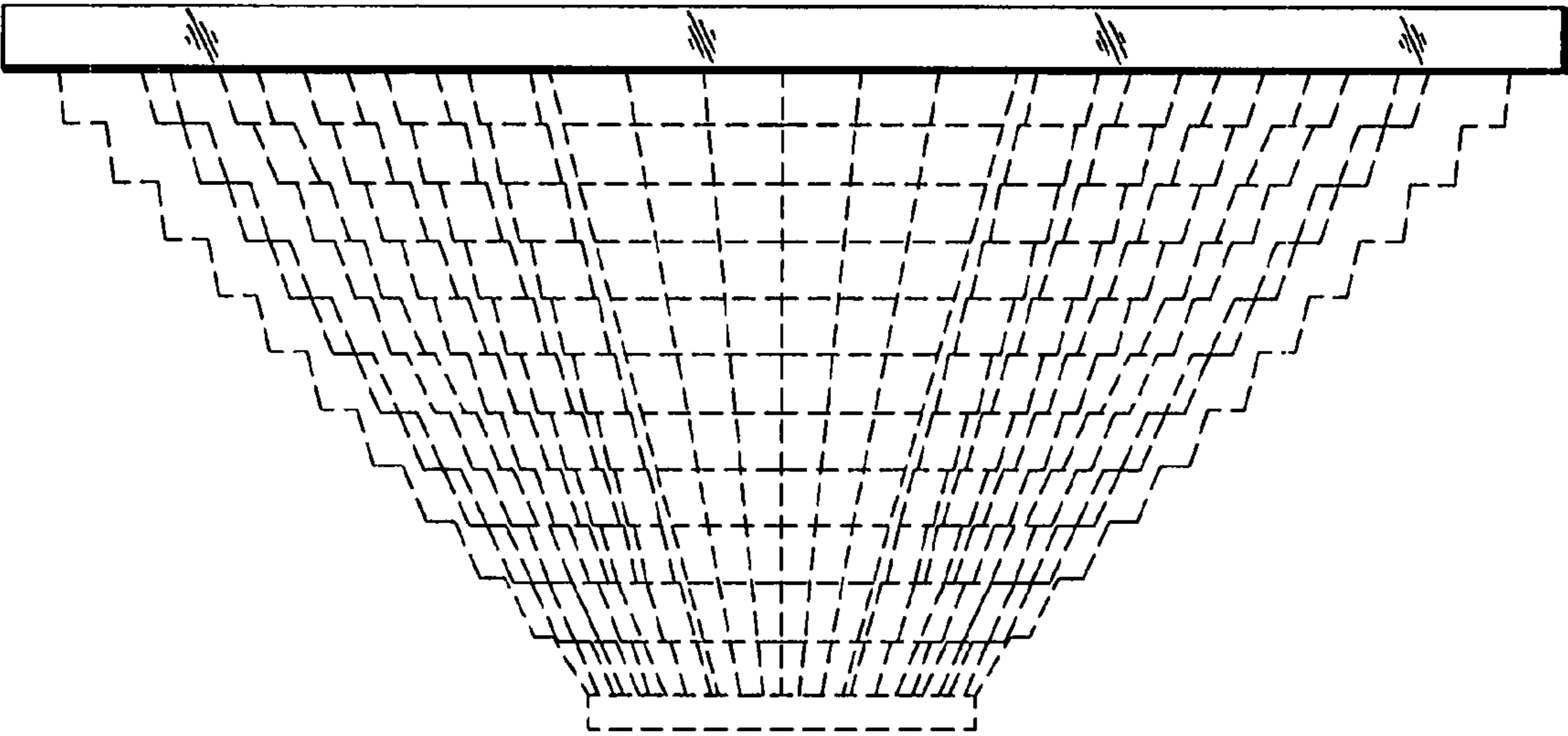


FIG.3

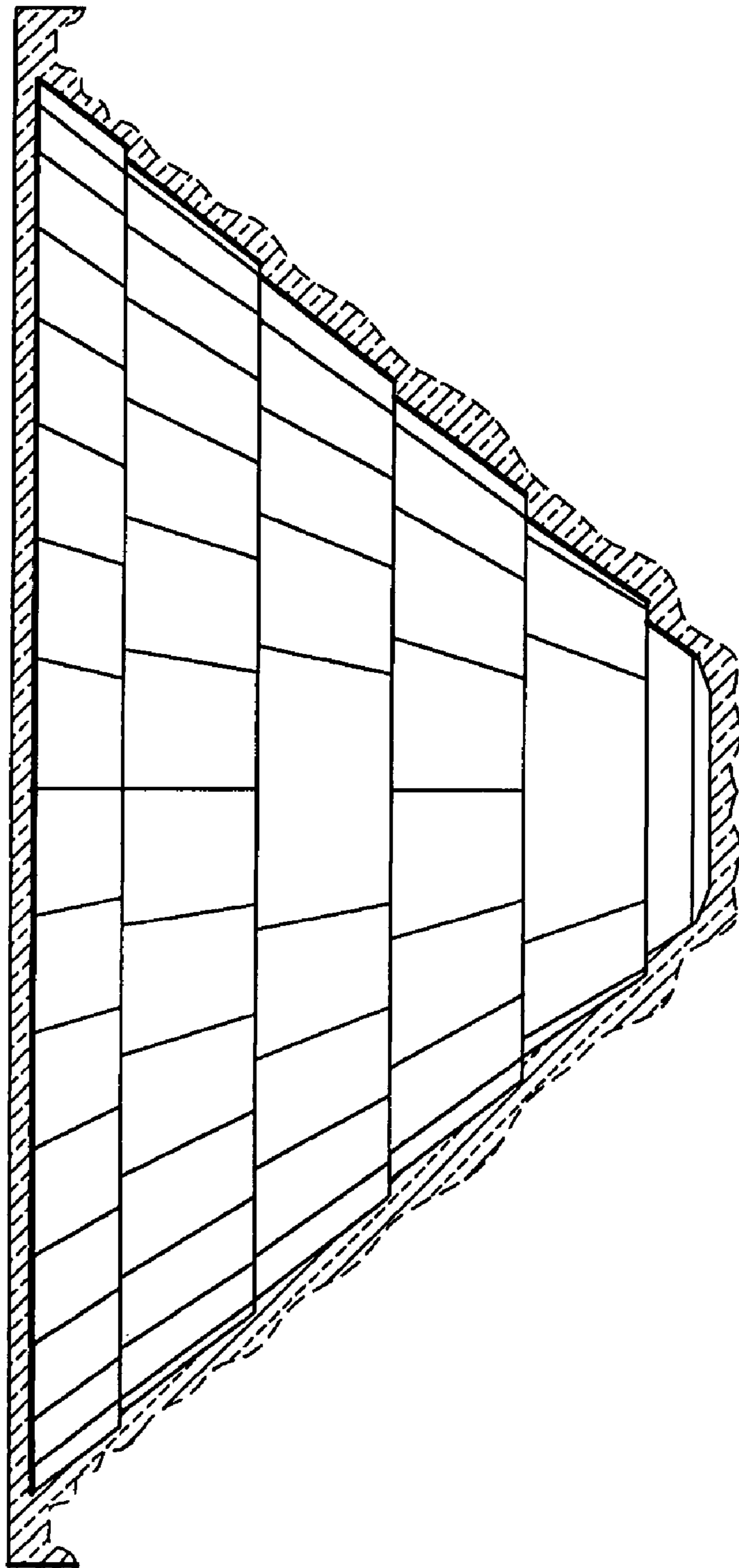


FIG.4