



US00D603071S

(12) **United States Design Patent**
Fifield et al.

(10) **Patent No.:** **US D603,071 S**
(45) **Date of Patent:** **** Oct. 27, 2009**

(54) **ROOF TILE**

6,233,895 B1 * 5/2001 Evans et al. 52/518

(75) Inventors: **John Alfred Fifield**, Aylesbury (GB);
Juan Jose Roman Canto, Alicante (ES);
Paul Rigo Beyer, Alicante (ES)

* cited by examiner

Primary Examiner—Catherine R Oliver
(74) *Attorney, Agent, or Firm*—Dinsmore & Shohl LLP

(73) Assignee: **Forticrete Limited**, Leighton Buzzard
(GB)

(57) **CLAIM**

The ornamental design for a roof tile, as shown.

(**) Term: **14 Years**

DESCRIPTION

(21) Appl. No.: **29/326,121**

FIG. 1 is a top, front, left side perspective view of a roof tile according to the new design;

(22) Filed: **Oct. 13, 2008**

FIG. 2 is a top, rear, right side perspective view thereof;

(51) **LOC (9) Cl.** **25-01**

(52) **U.S. Cl.** **D25/141**

(58) **Field of Classification Search** D25/141,
D25/140, 138–139; 52/518–520, 529, 537,
52/542, 545–546, 552, 554, 557, 559, 578
See application file for complete search history.

FIG. 3 is a bottom, rear, left side perspective view thereof;

FIG. 4 is a bottom, front, right side perspective view thereof;

FIG. 5 is a rear elevational view thereof;

FIG. 6 is a front elevational view thereof;

FIG. 7 is a right side elevational view thereof;

FIG. 8 is a left side elevational view thereof;

FIG. 9 is a top plan view thereof; and,

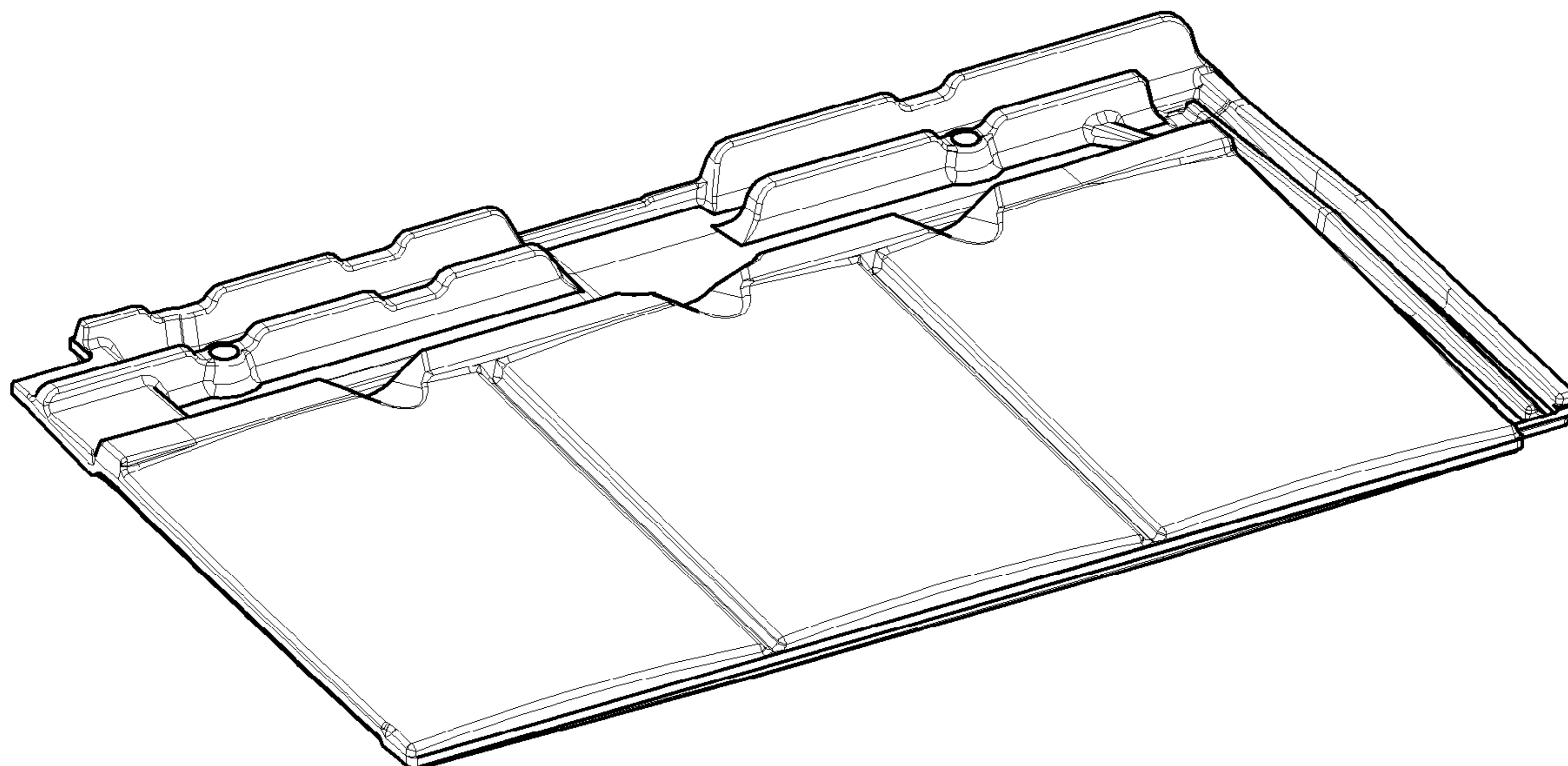
FIG. 10 is a bottom plan view thereof.

(56) **References Cited**

U.S. PATENT DOCUMENTS

D341,669 S * 11/1993 Migeon D25/140
D367,717 S * 3/1996 Prins D25/140
5,974,756 A * 11/1999 Alvarez et al. 52/519

1 Claim, 4 Drawing Sheets



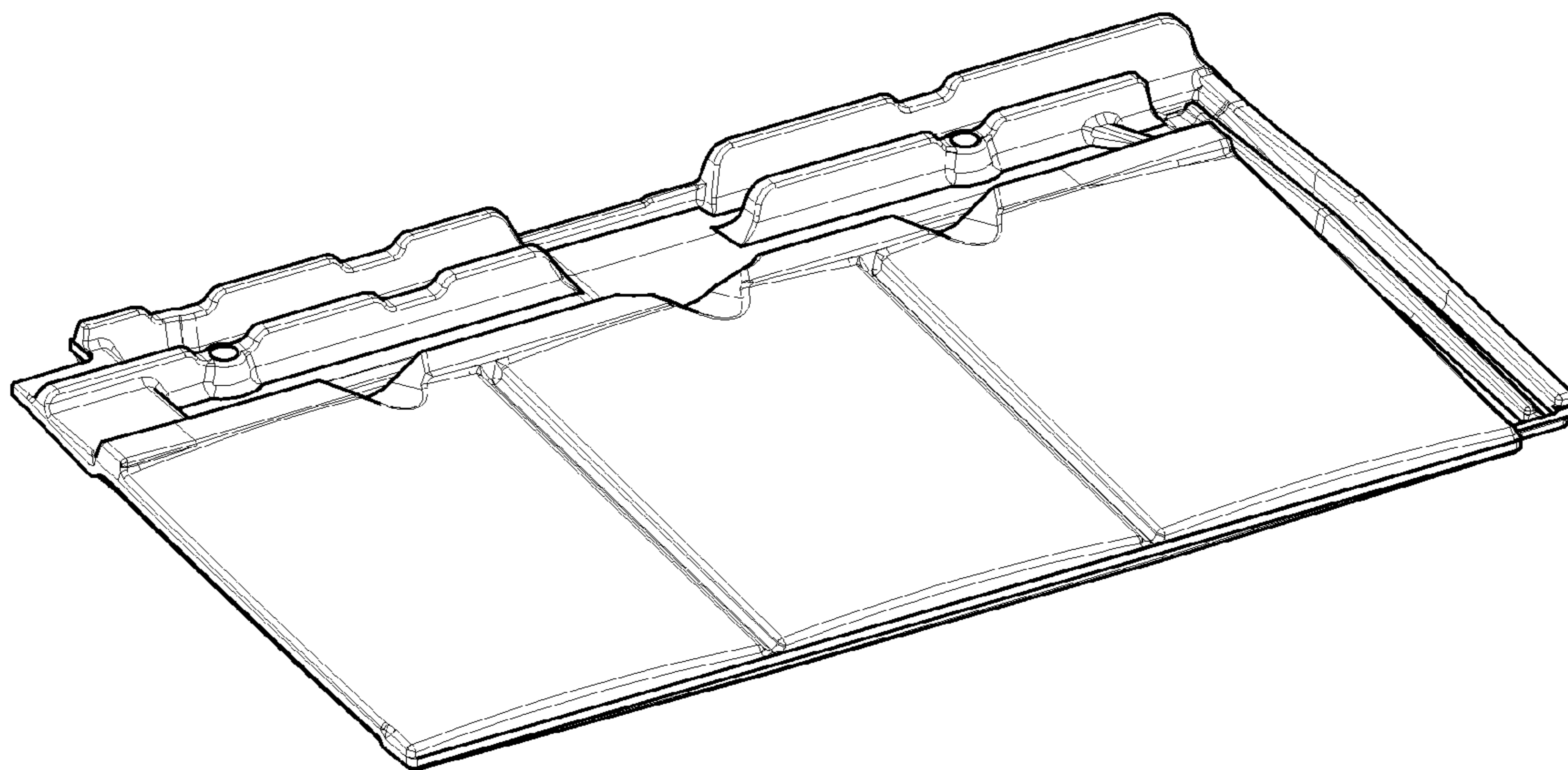


FIG. 1

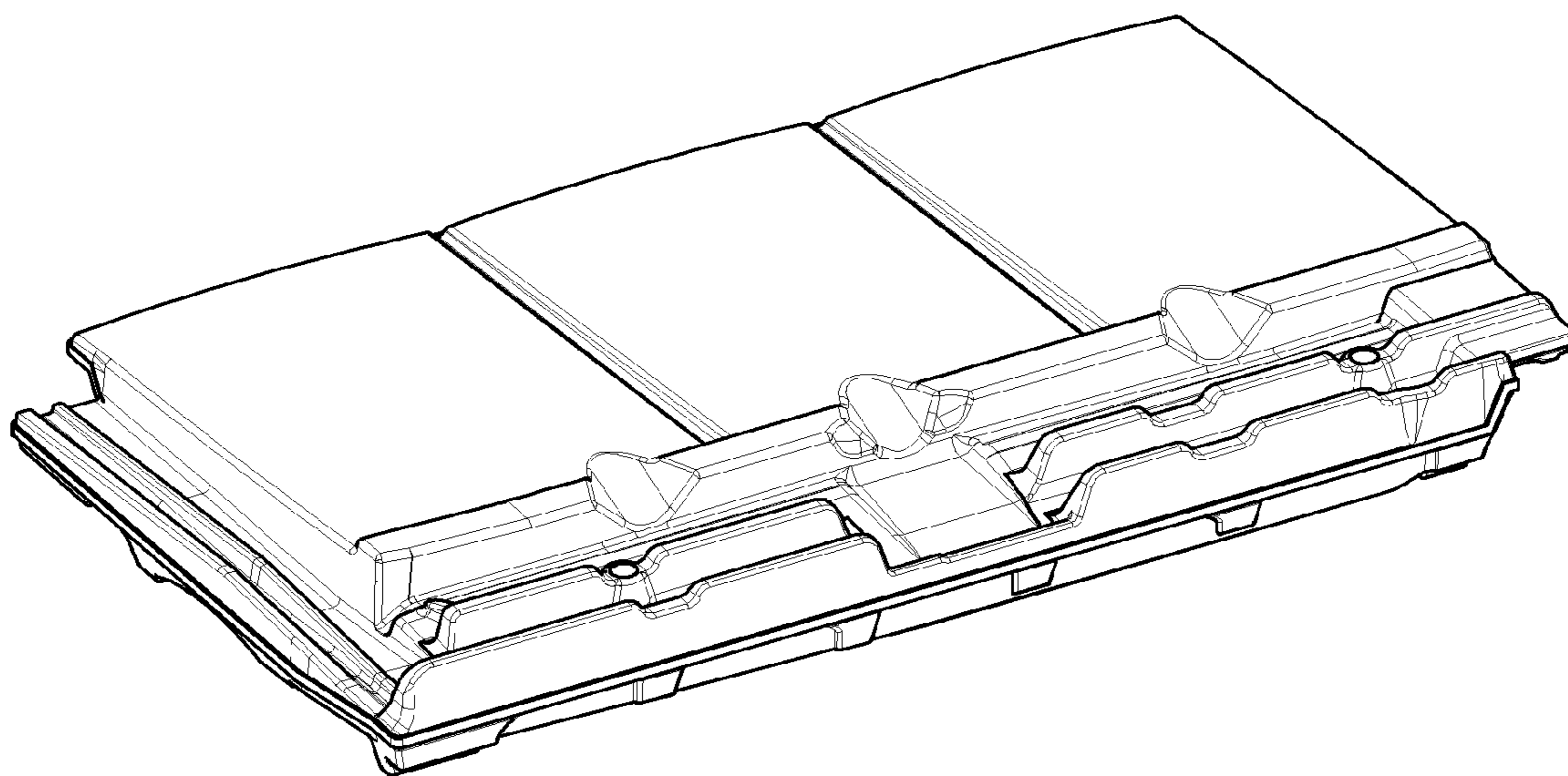


FIG. 2

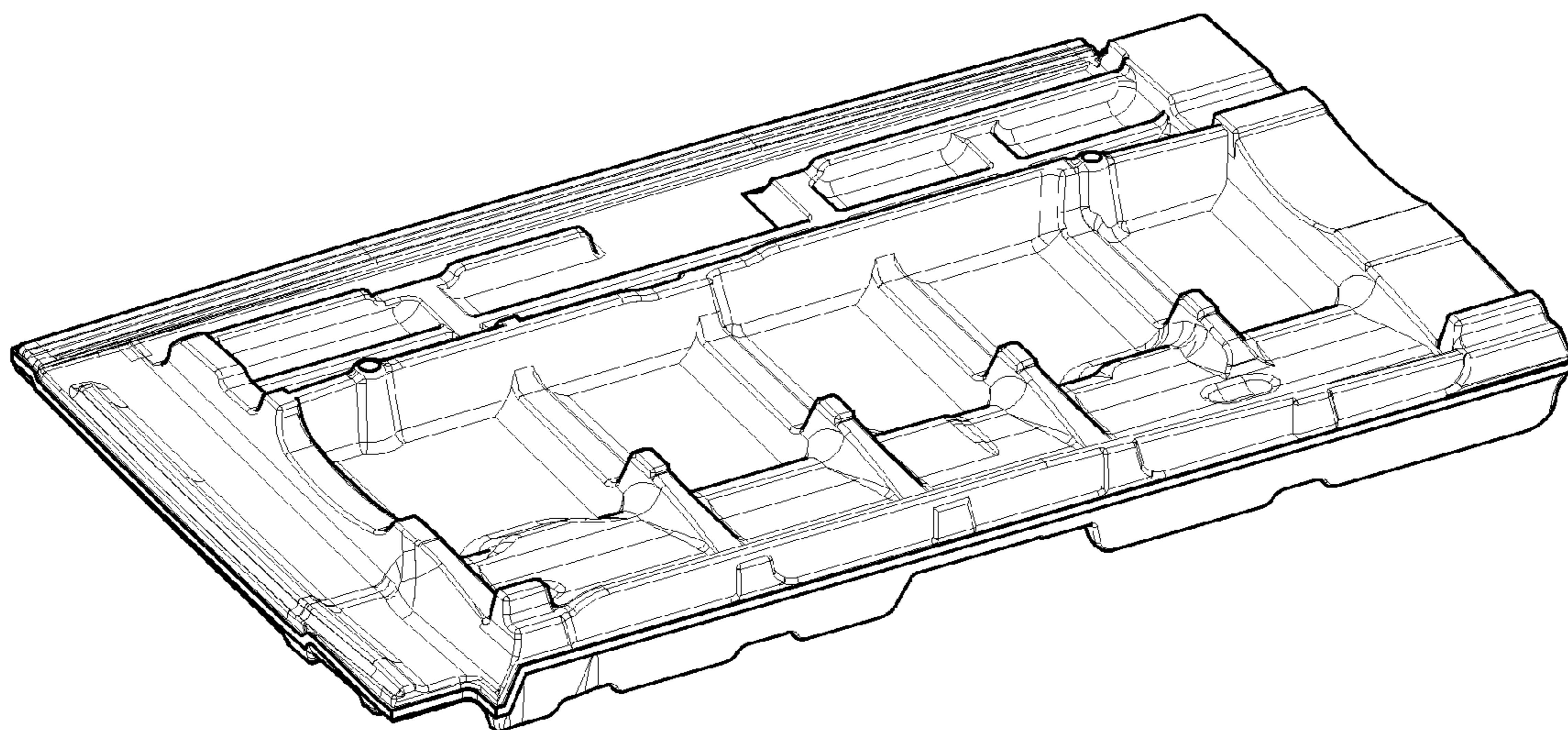


FIG. 3

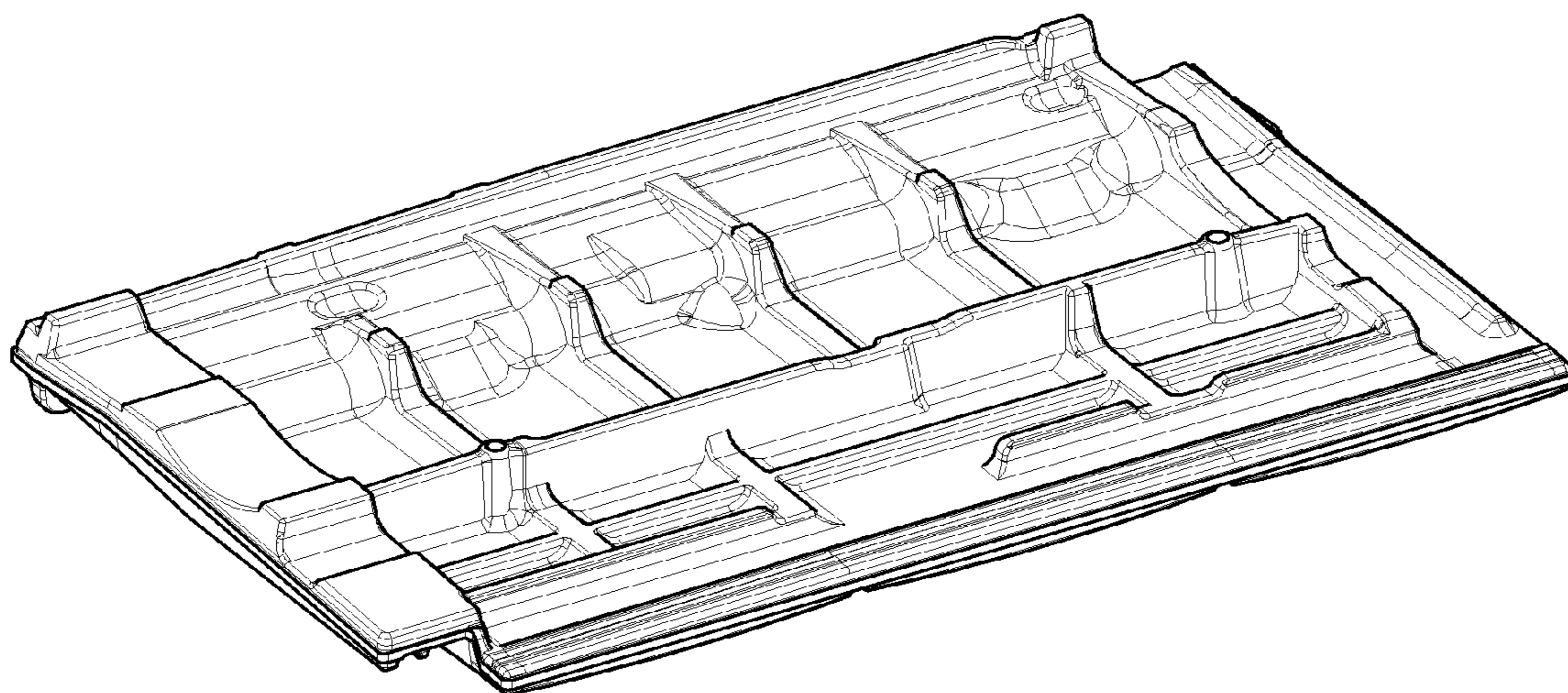


FIG. 4

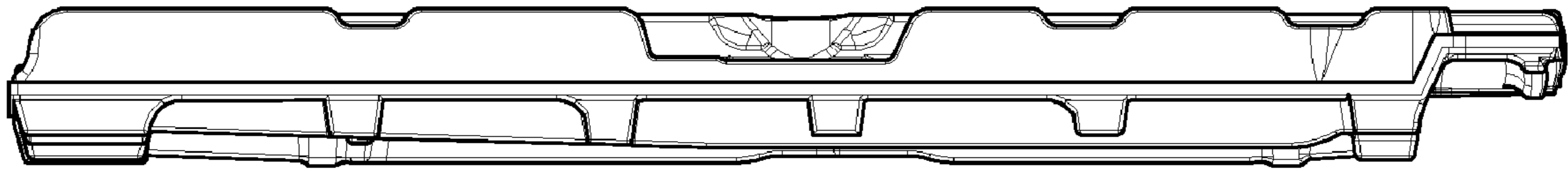


FIG. 5

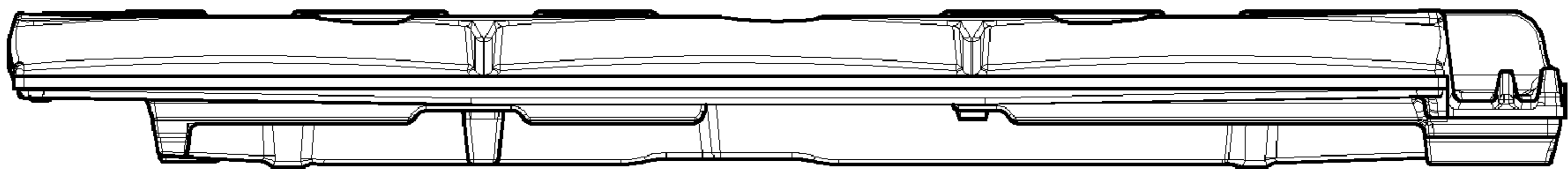


FIG. 6

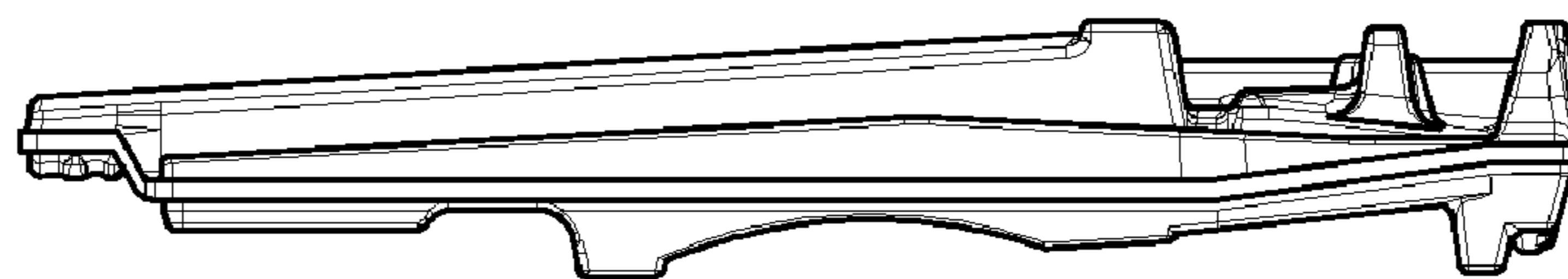


FIG. 7

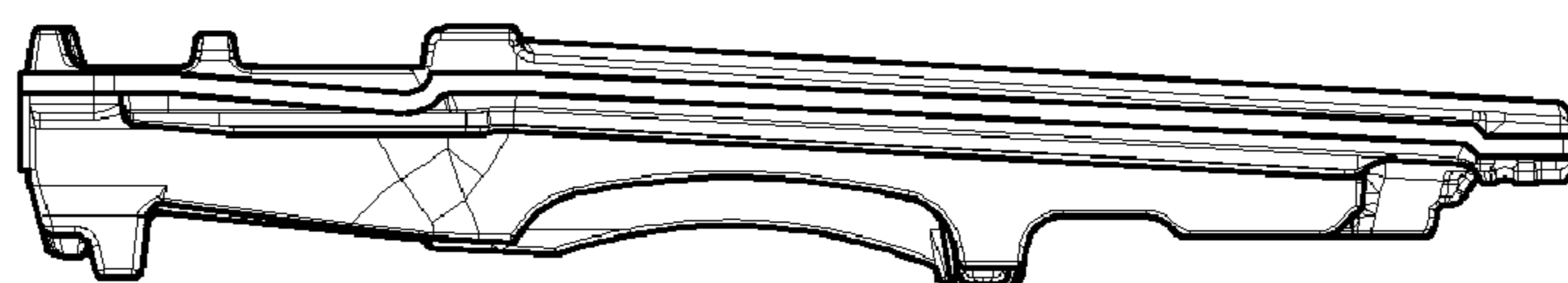


FIG. 8

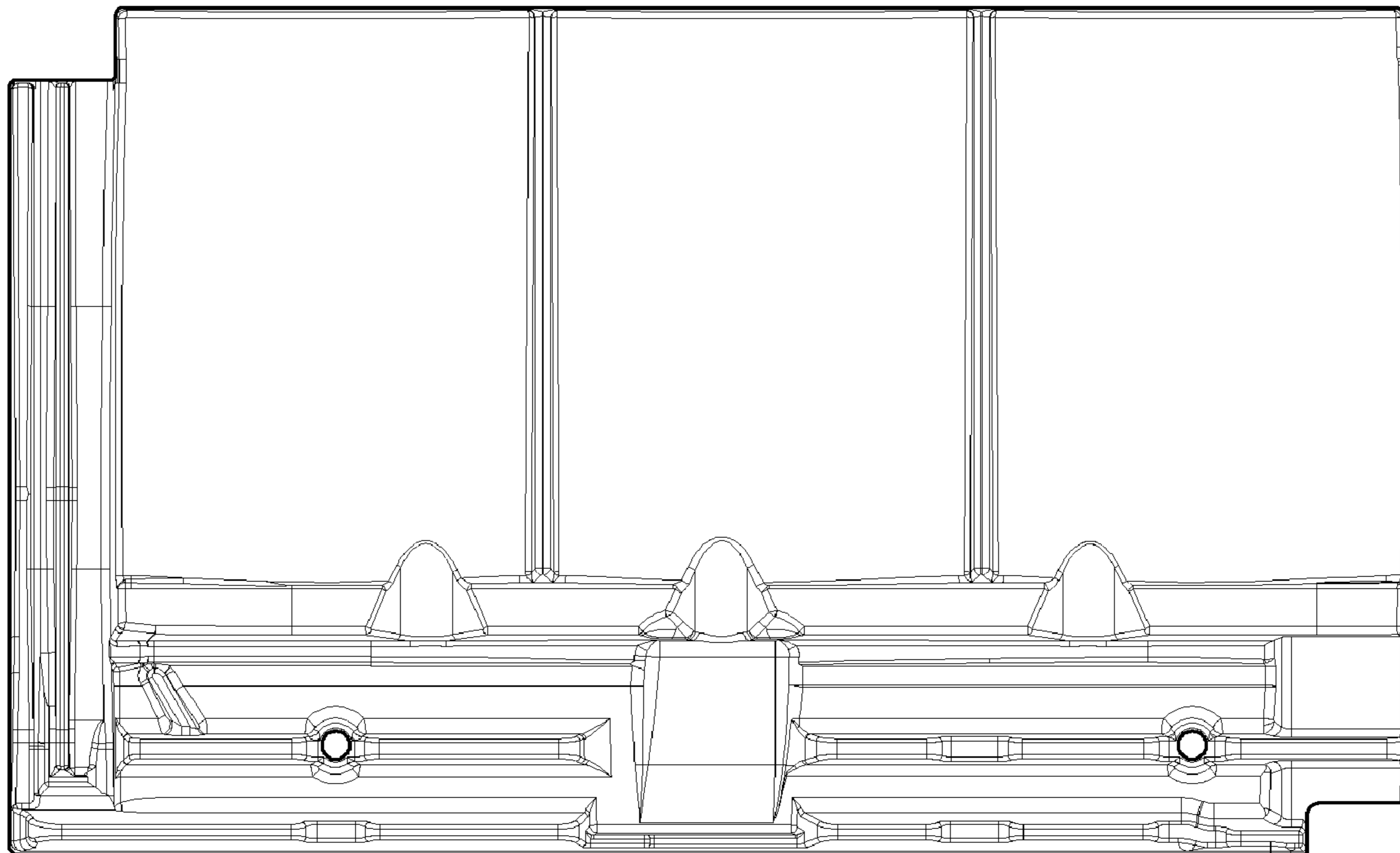


FIG. 9

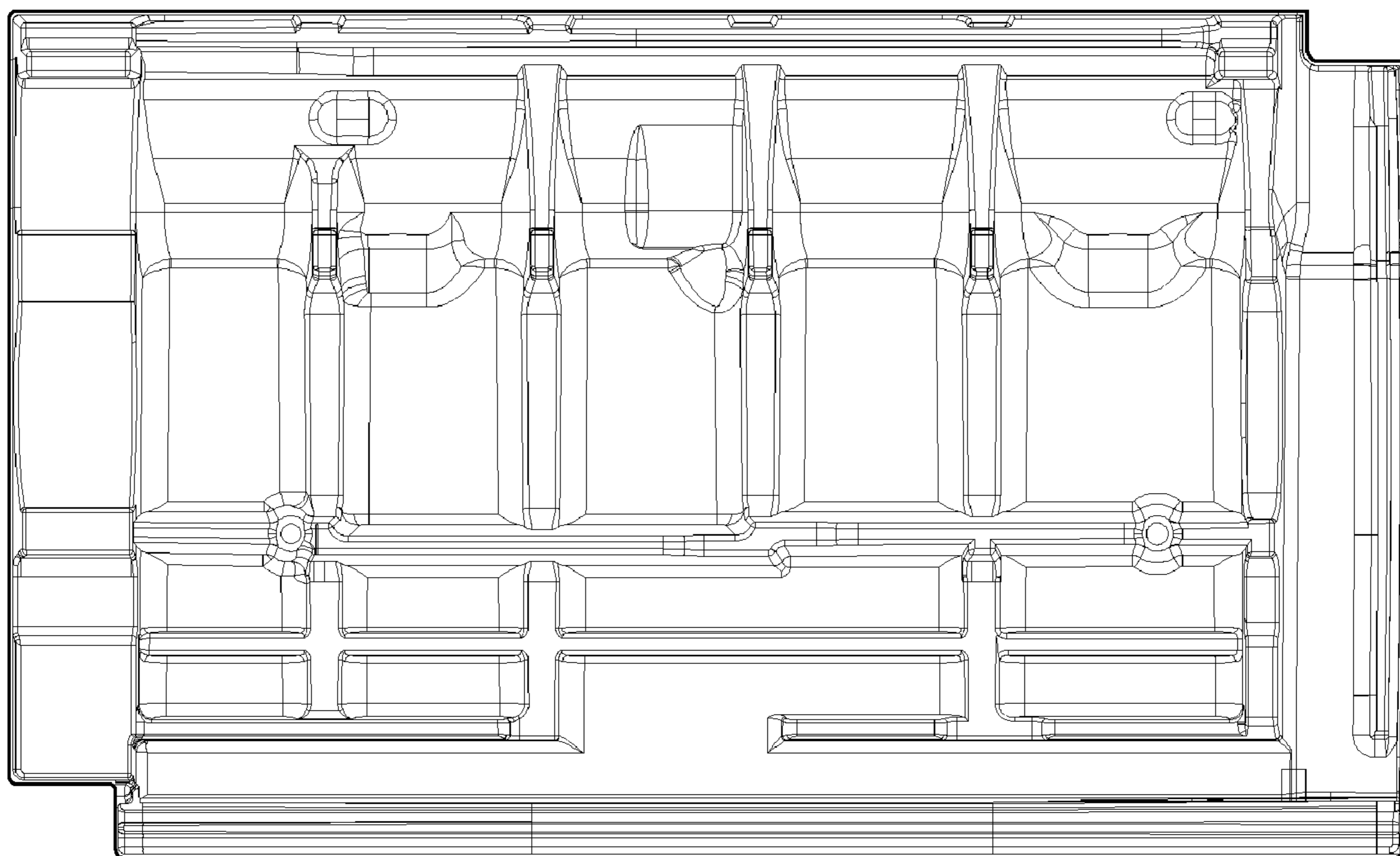


FIG. 10