



US00D603070S

(12) **United States Design Patent**
Day

(10) **Patent No.:** **US D603,070 S**

(45) **Date of Patent:** **** Oct. 27, 2009**

(54) **ROOF TILE**

(75) **Inventor:** **Nicholas Stewart Day**, West Sussex (GB)

(73) **Assignee:** **LaFarge Roofing Technical Centers Ltd.** (GB)

(**) **Term:** **14 Years**

(21) **Appl. No.:** **29/297,387**

(22) **Filed:** **Nov. 9, 2007**

(51) **LOC (9) Cl.** **25-01**

(52) **U.S. Cl.** **D25/140**

(58) **Field of Classification Search** D25/140-141, D25/138-139, 143; 52/518-519, 536-538, 52/542, 560, 554-555, 588.1, 582.1, 583.1, 52/200, 557, 540-541, 533, 589.1

See application file for complete search history.

(56) **References Cited**

U.S. PATENT DOCUMENTS

522,879	A *	7/1894	Cohen	52/519
3,349,534	A *	10/1967	Wotherspoon	52/520
D245,712	S *	9/1977	Wotherspoon	D25/140
4,084,365	A *	4/1978	Read	D25/140
5,651,226	A	7/1997	Archibald		
D402,064	S *	12/1998	Hahn	D25/140
5,895,536	A	4/1999	Starr et al.		
6,044,602	A	4/2000	Canavan		
D458,392	S	6/2002	O'Hagin et al.		
D467,671	S *	12/2002	Suzuki	D25/140
D479,885	S	9/2003	O'Hagin et al.		
D542,942	S *	5/2007	Wilkinson	D25/141
7,320,774	B2 *	1/2008	Simmons et al.	52/519
D562,993	S *	2/2008	Shepherd et al.	D25/141
D574,973	S *	8/2008	Simmons	D25/140
2005/0086891	A1	4/2005	Gambale		
2005/0210759	A1	9/2005	Austin et al.		
2008/0000512	A1	1/2008	Flaherty et al.		

OTHER PUBLICATIONS

The above prior art was cited in an Office Action dated Jun. 25, 2009 in a related application, U.S. Appl. No. 29/297,400 filed Nov. 9, 2007, pending.

* cited by examiner

Primary Examiner—Catherine R Oliver

(74) *Attorney, Agent, or Firm*—Ostrolenk Faber LLP

(57) **CLAIM**

The ornamental design for roof tile, as shown.

DESCRIPTION

FIG. 1 is a right side view of a roof tile showing a first embodiment of my new design;

FIG. 2 is a top plan view thereof;

FIG. 3 is a left side view thereof;

FIG. 4 is an end view thereof;

FIG. 5 is a top perspective view thereof;

FIG. 6 is a bottom perspective view thereof;

FIG. 7 is a right side view of a second embodiment of the roof tile, having an elongated front edge portion;

FIG. 8 is a top plan view thereof;

FIG. 9 is a left side view thereof;

FIG. 10 is an end view thereof;

FIG. 11 is a top perspective view thereof;

FIG. 12 is a bottom perspective view thereof;

FIG. 13 is a right side view of a third embodiment of the roof tile, having a further elongated front edge portion;

FIG. 14 is a top plan view thereof;

FIG. 15 is a left side view thereof;

FIG. 16 is an end view thereof;

FIG. 17 is a top perspective view thereof; and,

FIG. 18 is a bottom perspective view.

1 Claim, 3 Drawing Sheets

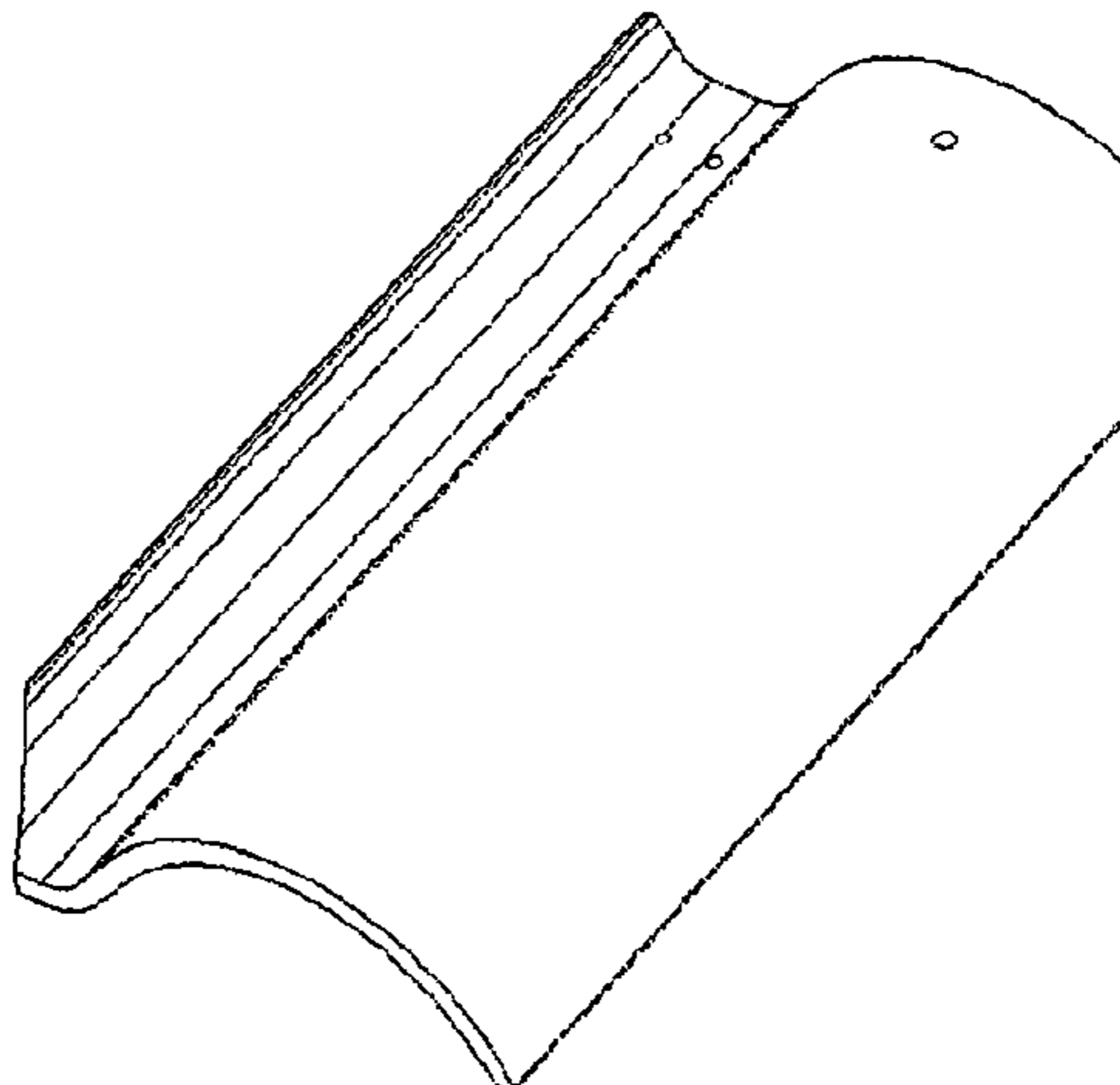


FIGURE 5

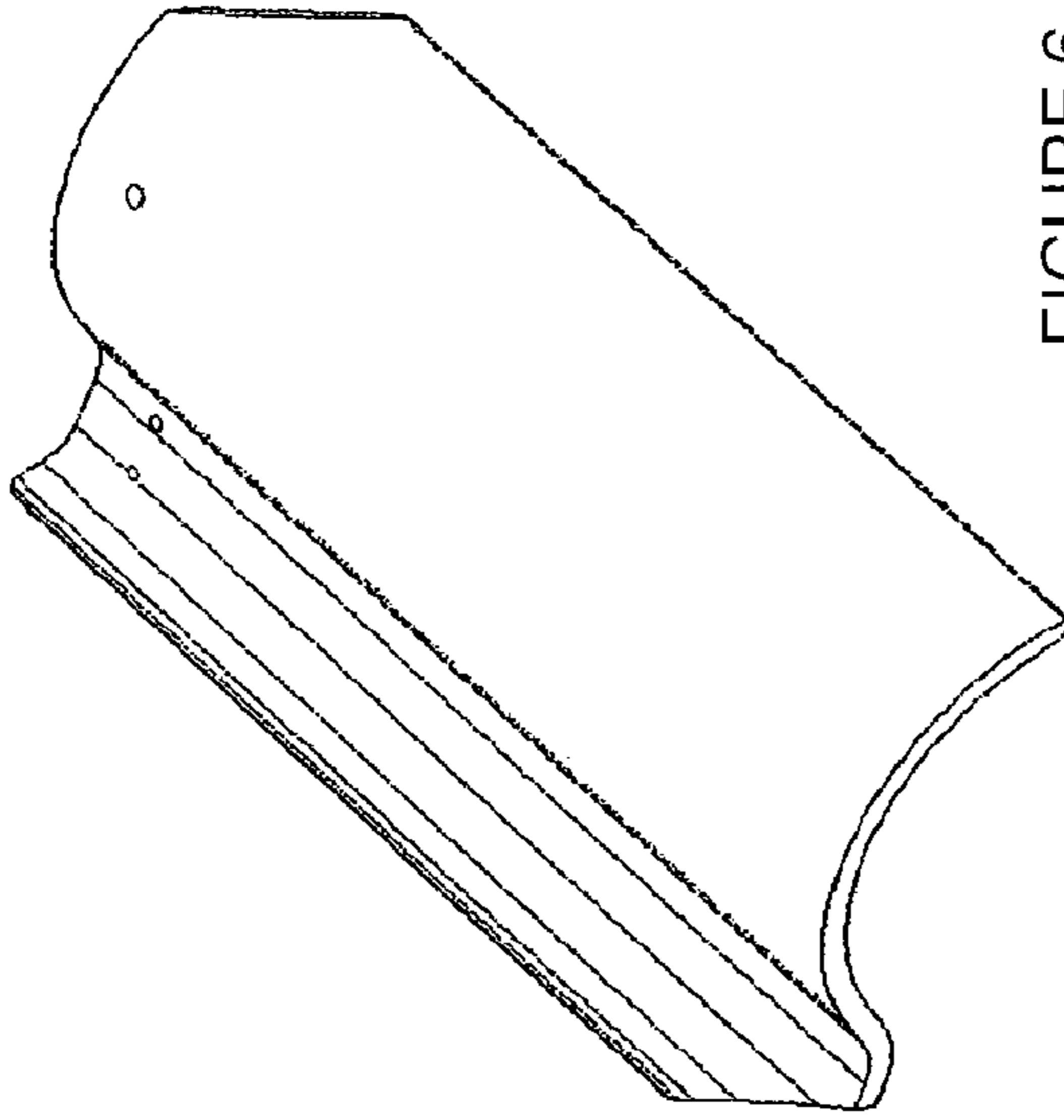


FIGURE 6

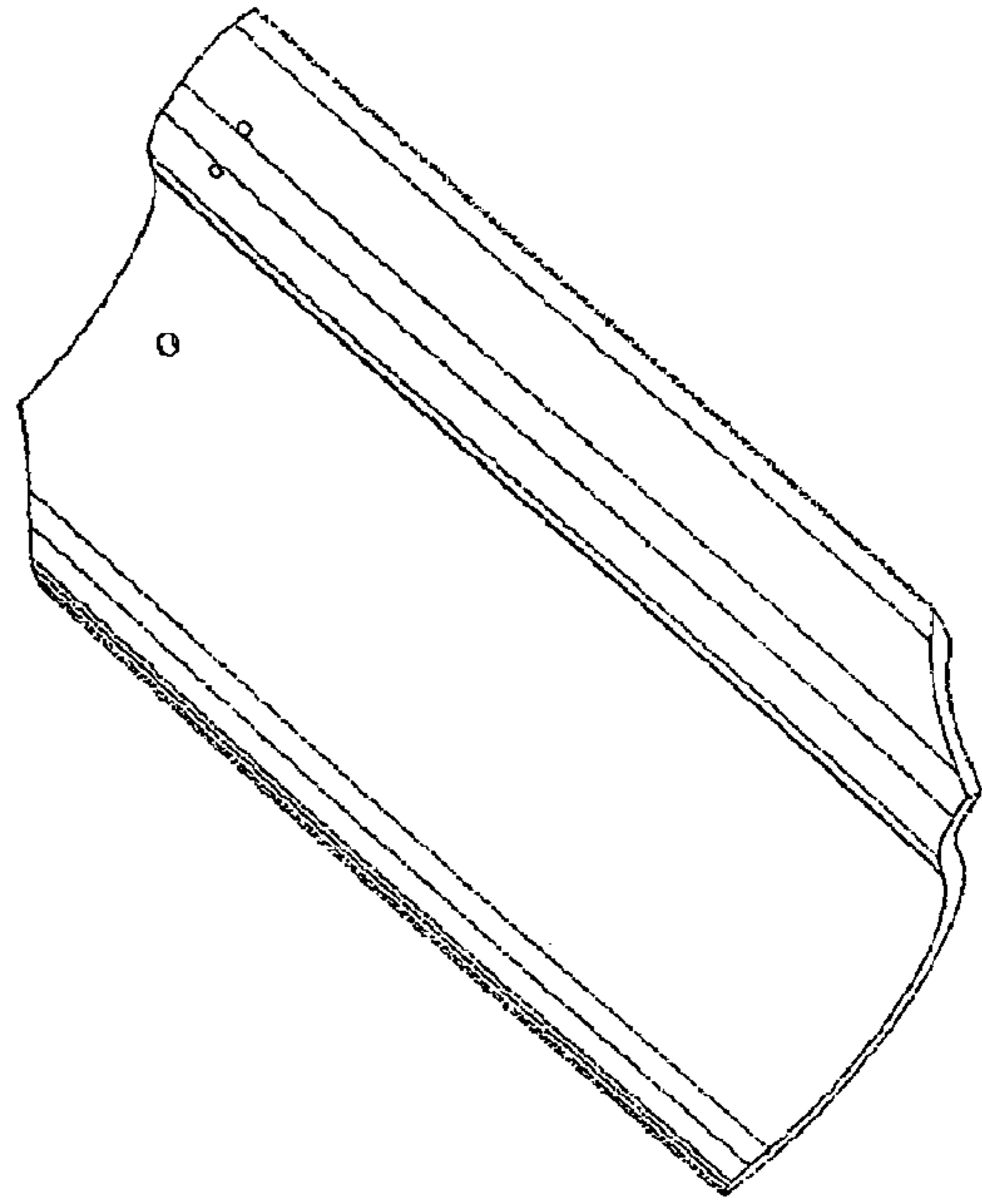


FIGURE 4

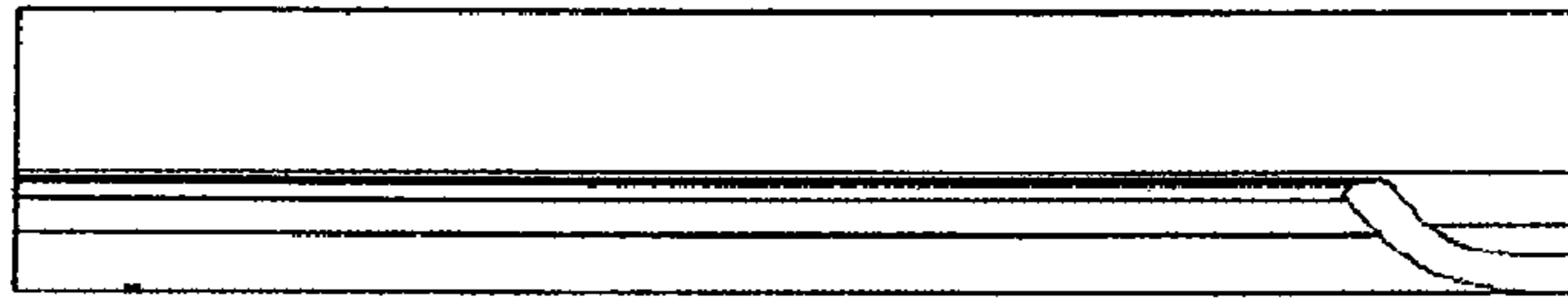
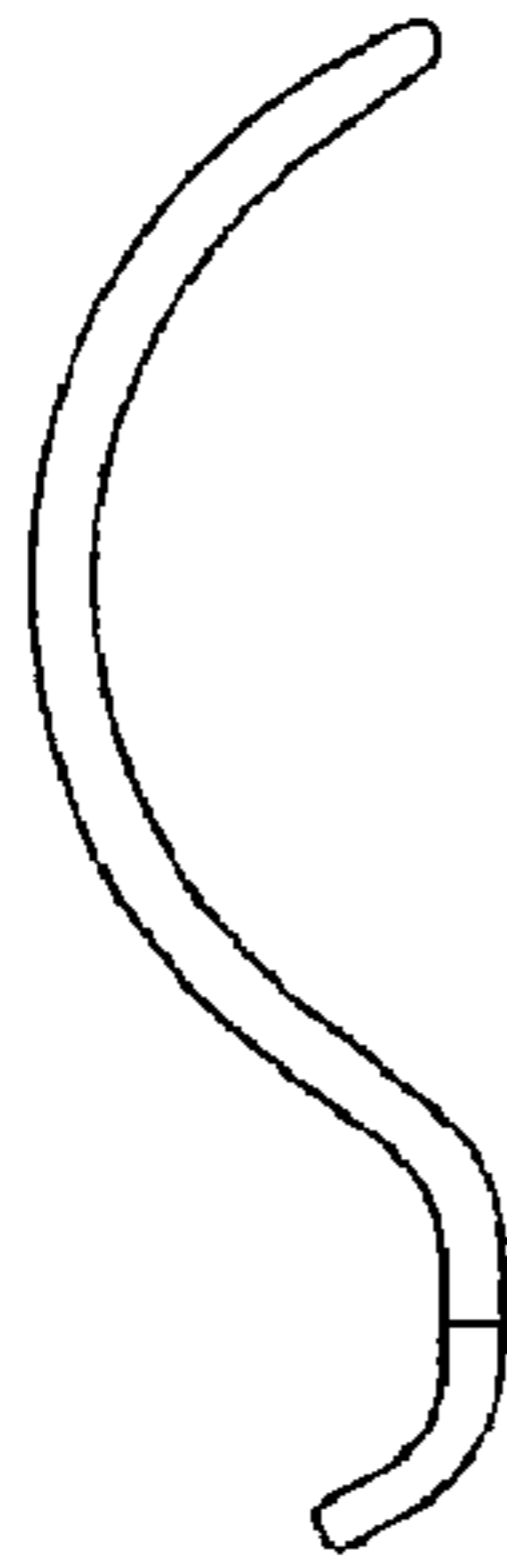


FIGURE 3

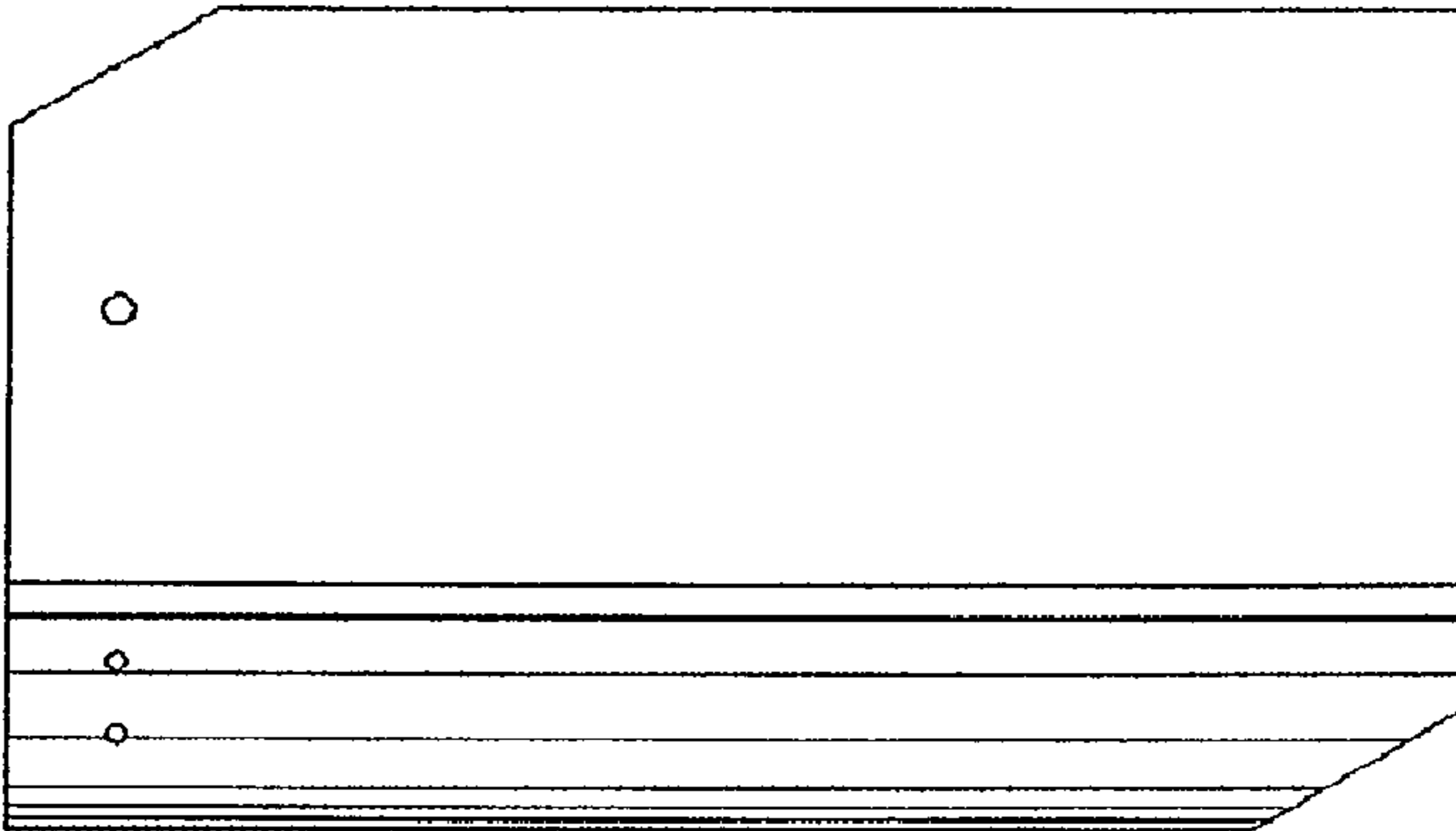


FIGURE 2

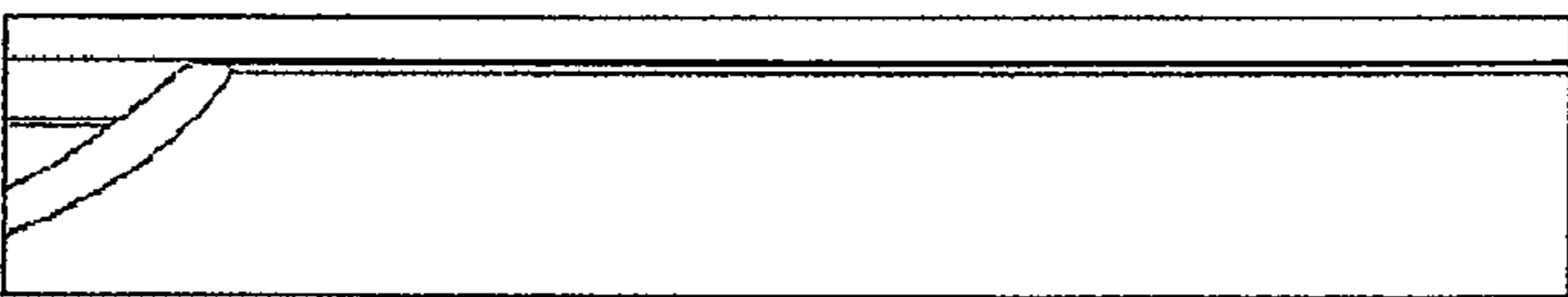


FIGURE 1

FIGURE 11

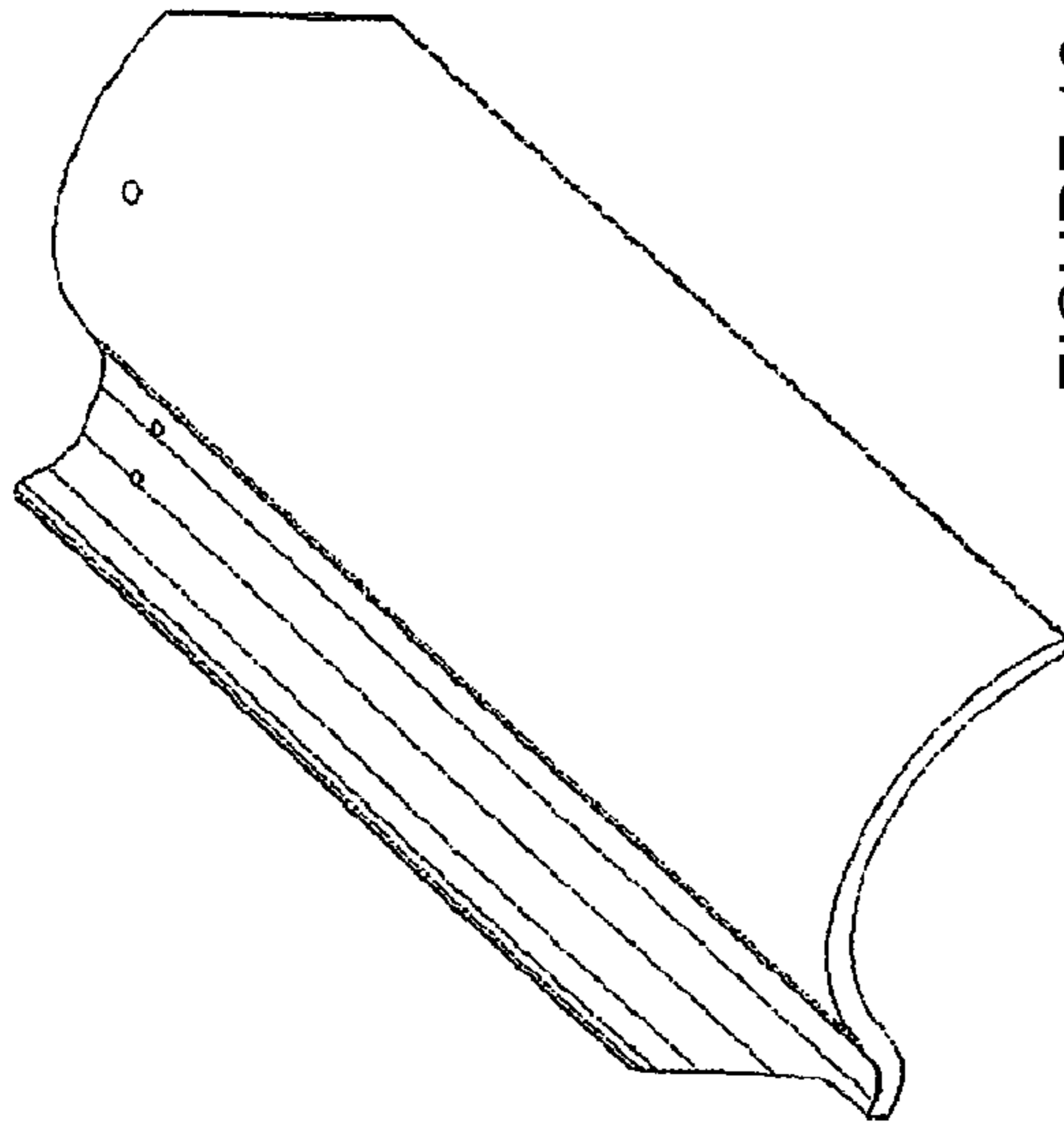


FIGURE 12

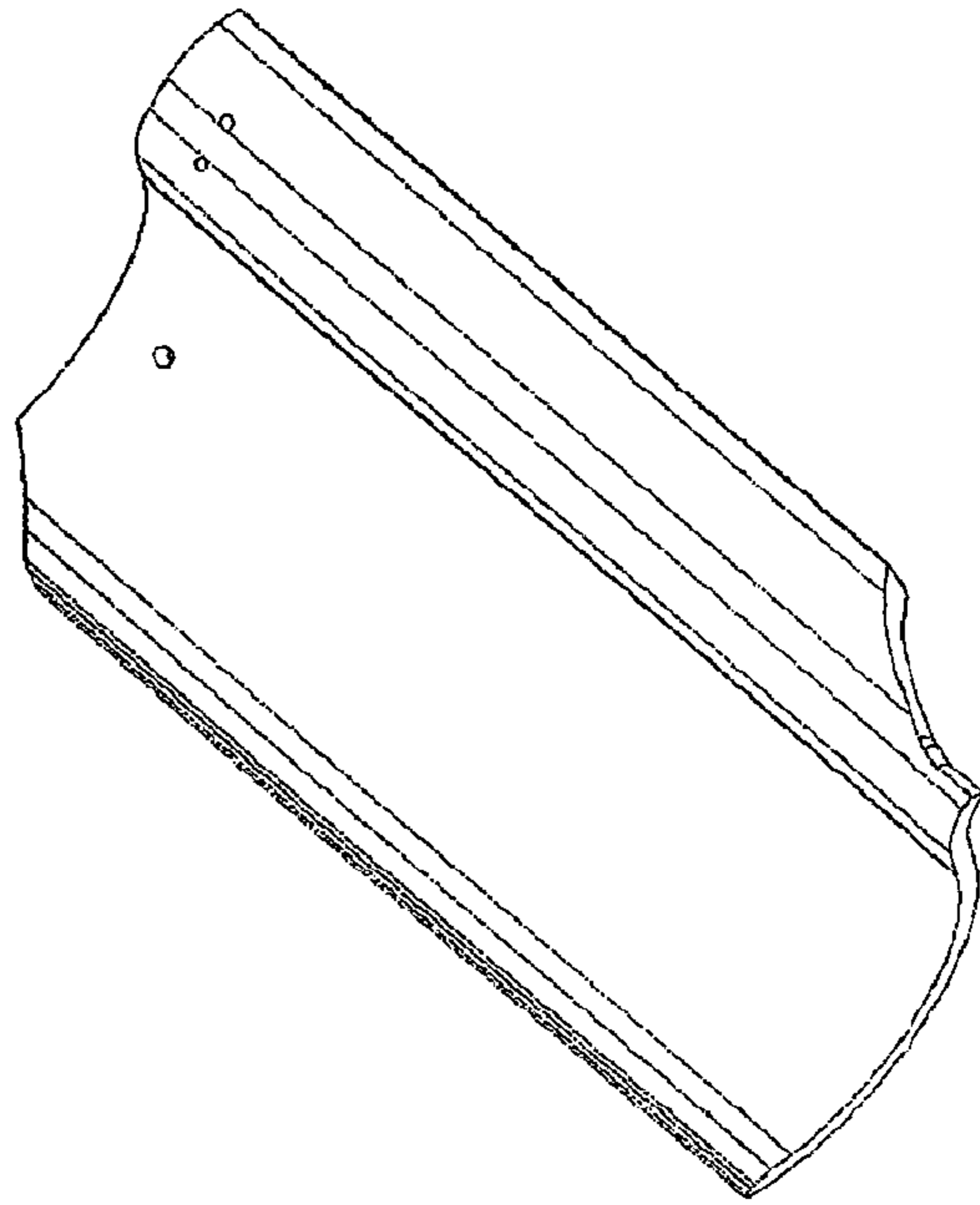


FIGURE 10

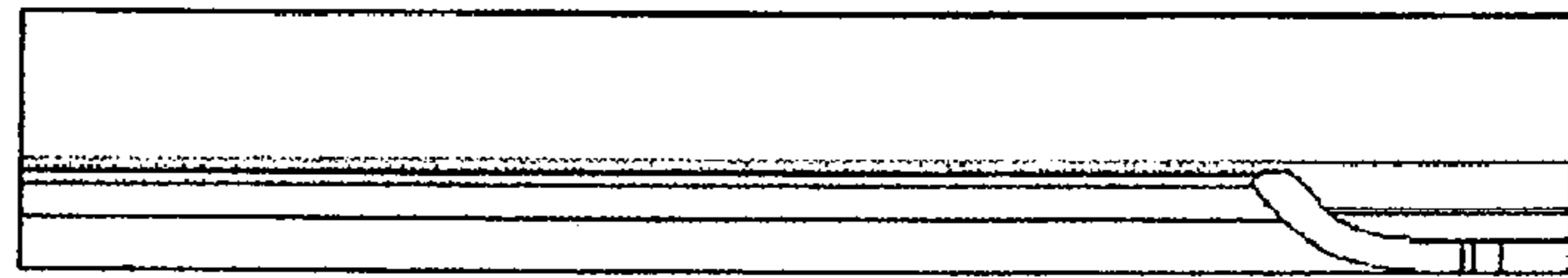
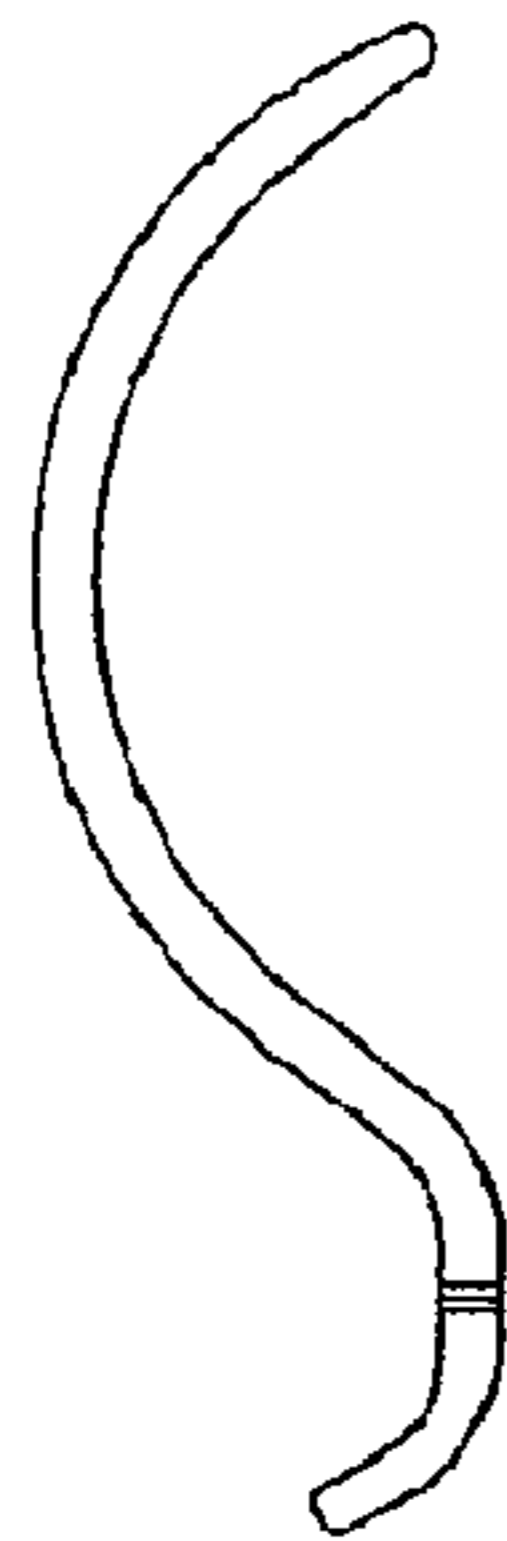


FIGURE 9

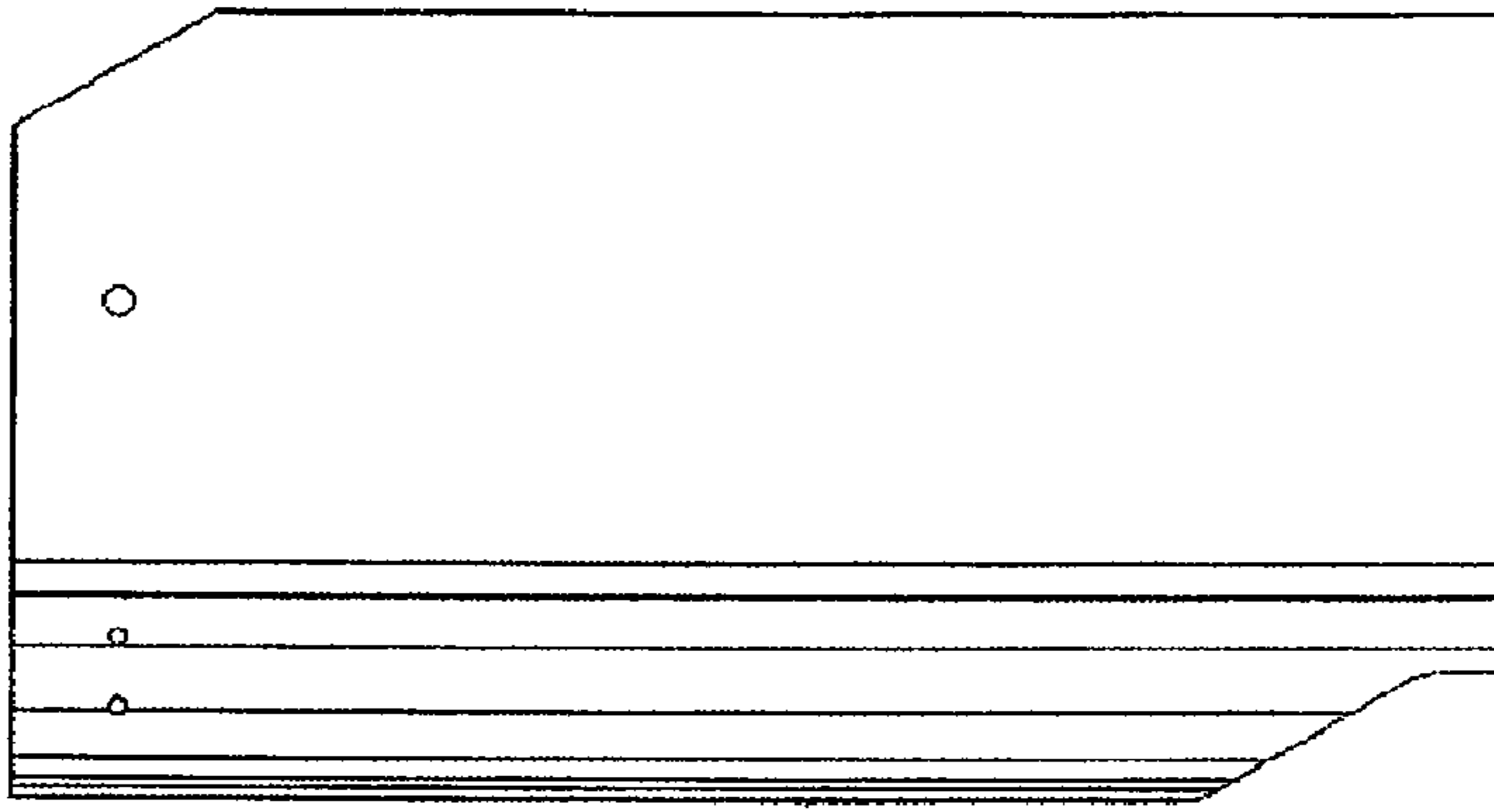


FIGURE 8

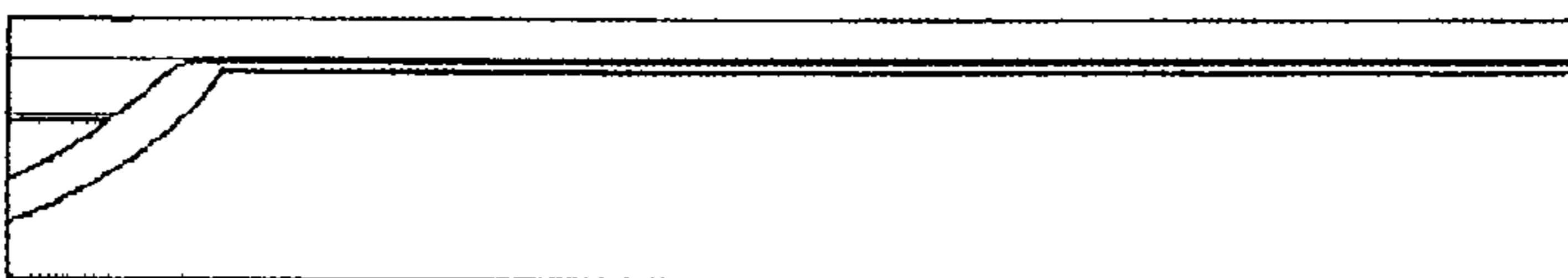


FIGURE 7

FIGURE 17

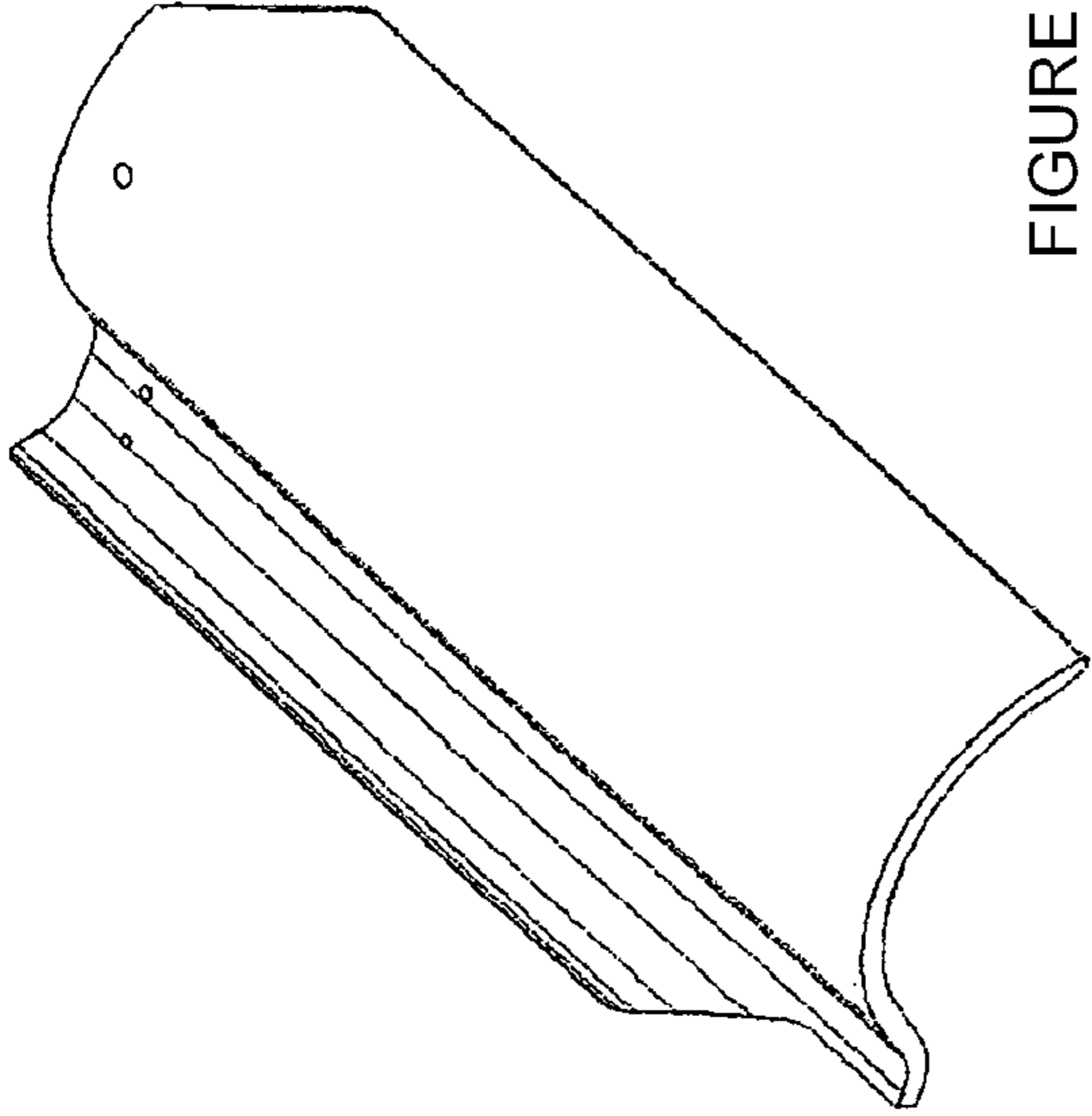


FIGURE 18

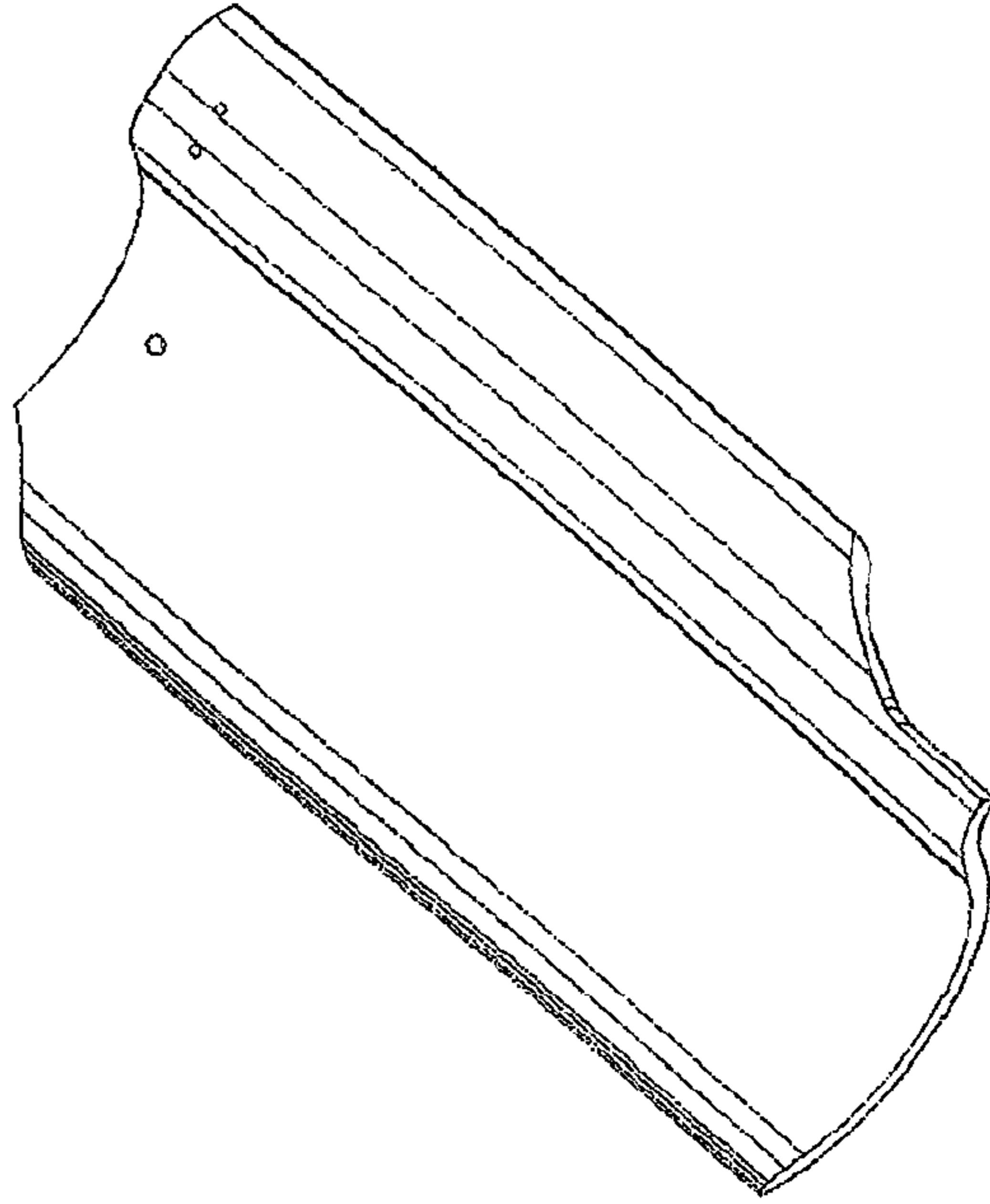


FIGURE 16

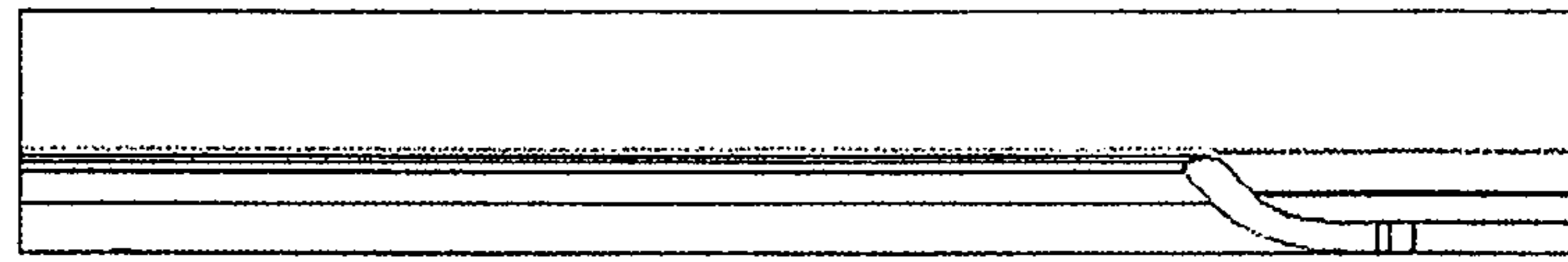
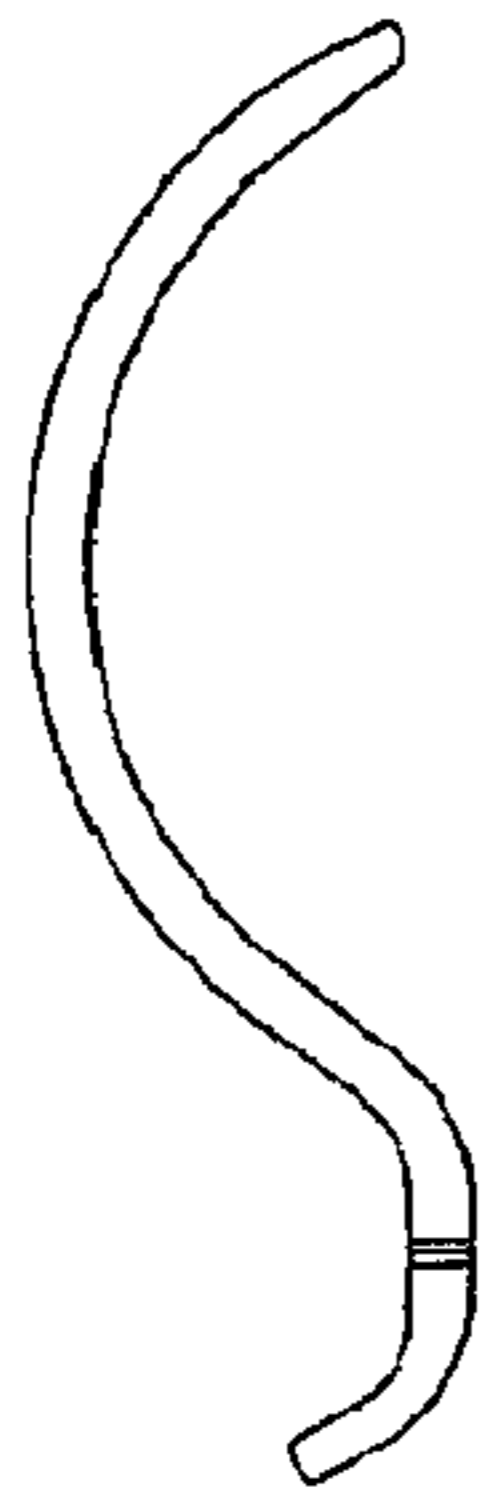


FIGURE 15

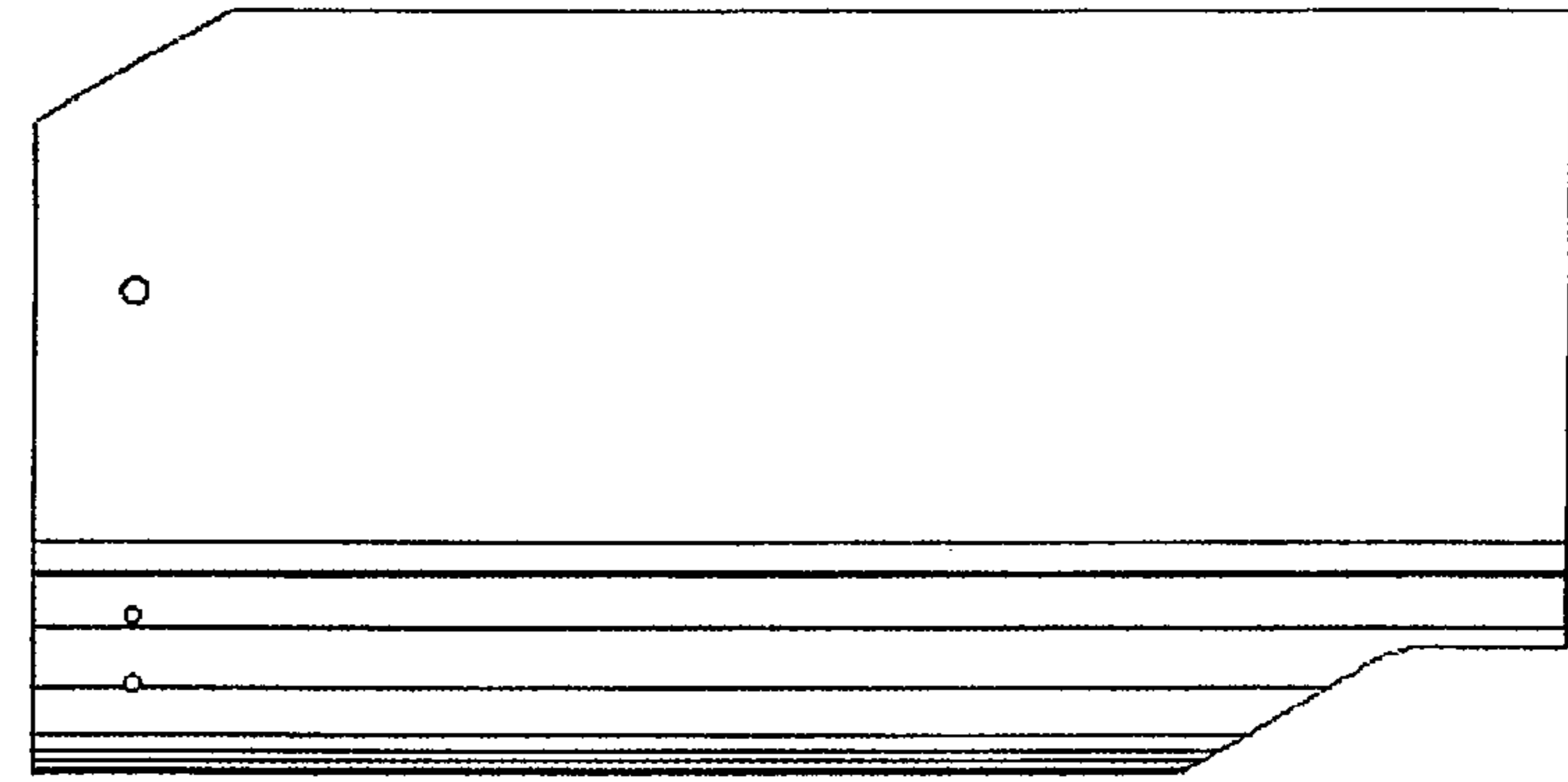


FIGURE 14

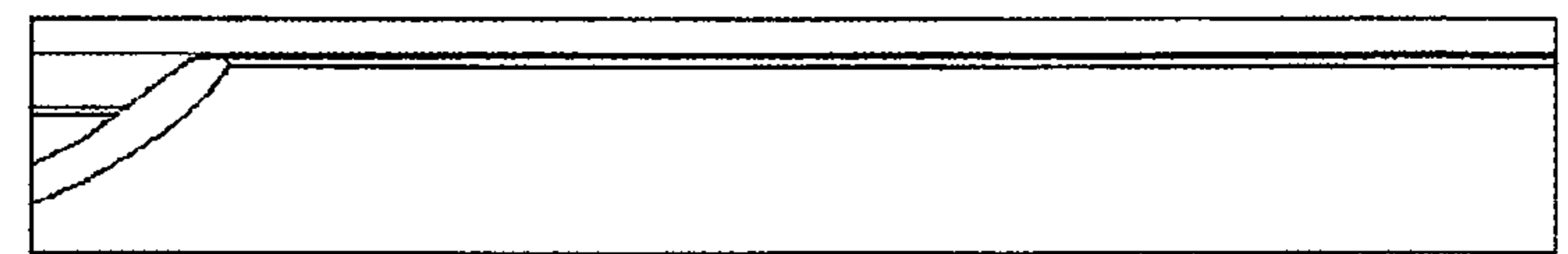


FIGURE 13