



US00D603068S

(12) **United States Design Patent**
Das

(10) **Patent No.:** **US D603,068 S**
(45) **Date of Patent:** **** Oct. 27, 2009**

(54) **SIDING ELEMENT**

D448,865 S * 10/2001 Manning D25/141
D450,138 S * 11/2001 Barber D25/141
D482,462 S * 11/2003 Hughes et al. D25/139

(75) Inventor: **Ko Das**, Scottsdale, AZ (US)

(73) Assignee: **Associated Materials, LLC.**, Cuyahoga Falls, OH (US)

* cited by examiner

(**) Term: **14 Years**

Primary Examiner—Catherine R Oliver
(74) *Attorney, Agent, or Firm*—Banner & Witcoff, Ltd.

(21) Appl. No.: **29/331,004**

(22) Filed: **Jan. 16, 2009**

(57) **CLAIM**

The ornamental design for a siding element, as shown and described.

Related U.S. Application Data

(63) Continuation of application No. 12/056,731, filed on Mar. 27, 2008.

DESCRIPTION

(51) **LOC (9) Cl.** **25-01**

(52) **U.S. Cl.** **D25/139**

(58) **Field of Classification Search** D25/138–139, D25/140–141, 143, 121, 119, 125; 52/518–519, 52/222, 415–416, 478, 561, 522, 394, 549
See application file for complete search history.

FIG. 1 is a end view of a siding element showing our new design; and,

FIG. 2 is a front perspective view thereof.

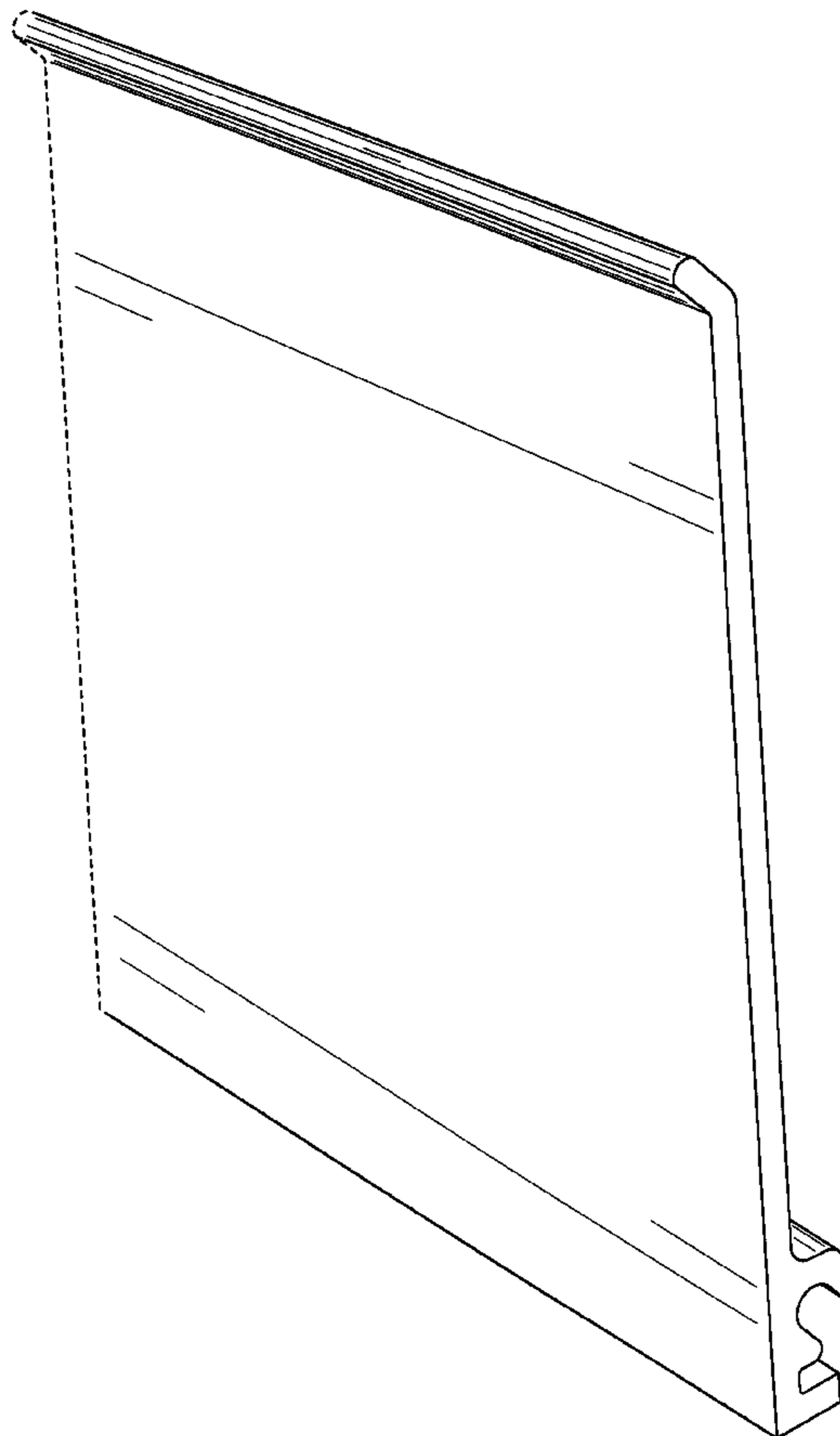
The broken line showing of the depicted far edge of the siding element is for environmental purposes only and forms no part of the claimed design. Unshown portions of the siding element including the interior of the siding element form no part of the claimed design.

(56) **References Cited**

U.S. PATENT DOCUMENTS

3,380,215 A * 4/1968 Schaefer et al. 52/522

1 Claim, 2 Drawing Sheets



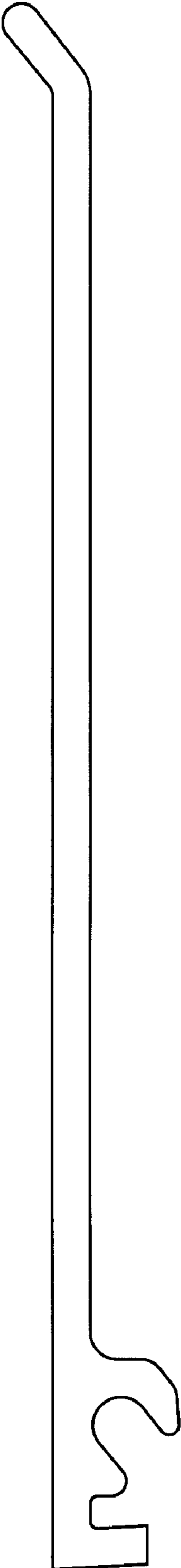


FIG. 1

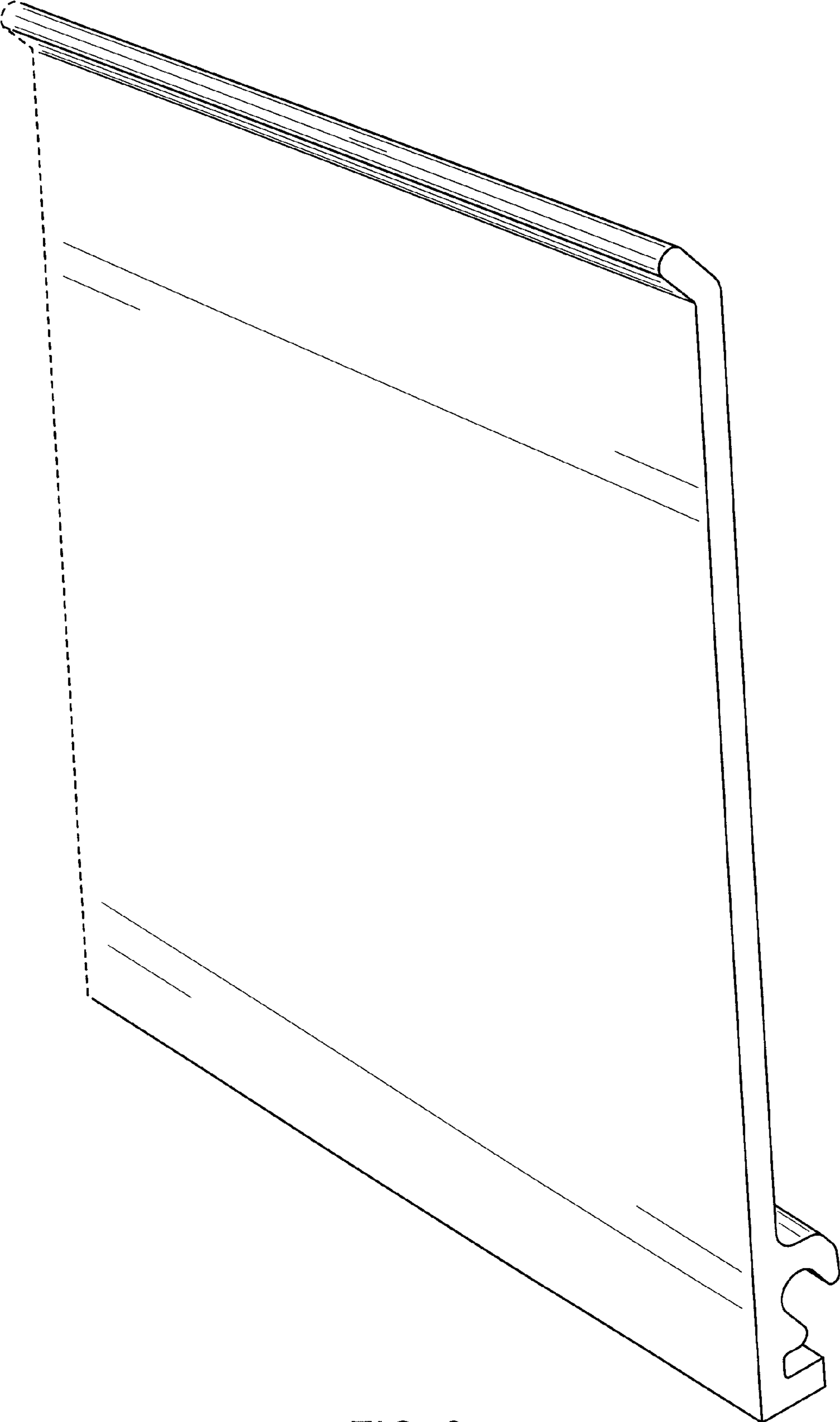


FIG. 2