

US00D603067S

(12) **United States Design Patent**
Krause et al.

(10) **Patent No.:** **US D603,067 S**

(45) **Date of Patent:** **** Oct. 27, 2009**

(54) **SIDING ELEMENT**

(75) Inventors: **Walter M. Krause**, Ashland, OH (US);
Daniel E. Festa, Strongsville, OH (US)

(73) Assignee: **Associated Materials, LLC.**, Cuyahoga Falls, OH (US)

(**) Term: **14 Years**

(21) Appl. No.: **29/330,999**

(22) Filed: **Jan. 16, 2009**

Related U.S. Application Data

(63) Continuation of application No. 10/911,932, filed on Aug. 5, 2004, now Pat. No. 7,478,507, and a continuation of application No. 11/380,243, filed on Apr. 26, 2006.

(51) **LOC (9) Cl.** **25-01**

(52) **U.S. Cl.** **D25/139**

(58) **Field of Classification Search** D25/139,
D25/121, 141, 125, 119; 52/518, 222, 415,
52/416, 478, 561, 522, 394, 549

See application file for complete search history.

(56) **References Cited**

U.S. PATENT DOCUMENTS

3,380,215 A * 4/1968 Schaefer et al. 52/522

D448,865 S * 10/2001 Manning D25/141

D450,138 S * 11/2001 Barber D25/141

D482,462 S * 11/2003 Hughes et al. D25/139

* cited by examiner

Primary Examiner—Catherine R Oliver

(74) *Attorney, Agent, or Firm*—Banner & Witcoff, Ltd.

(57) **CLAIM**

The ornamental design for a siding element, as shown and described.

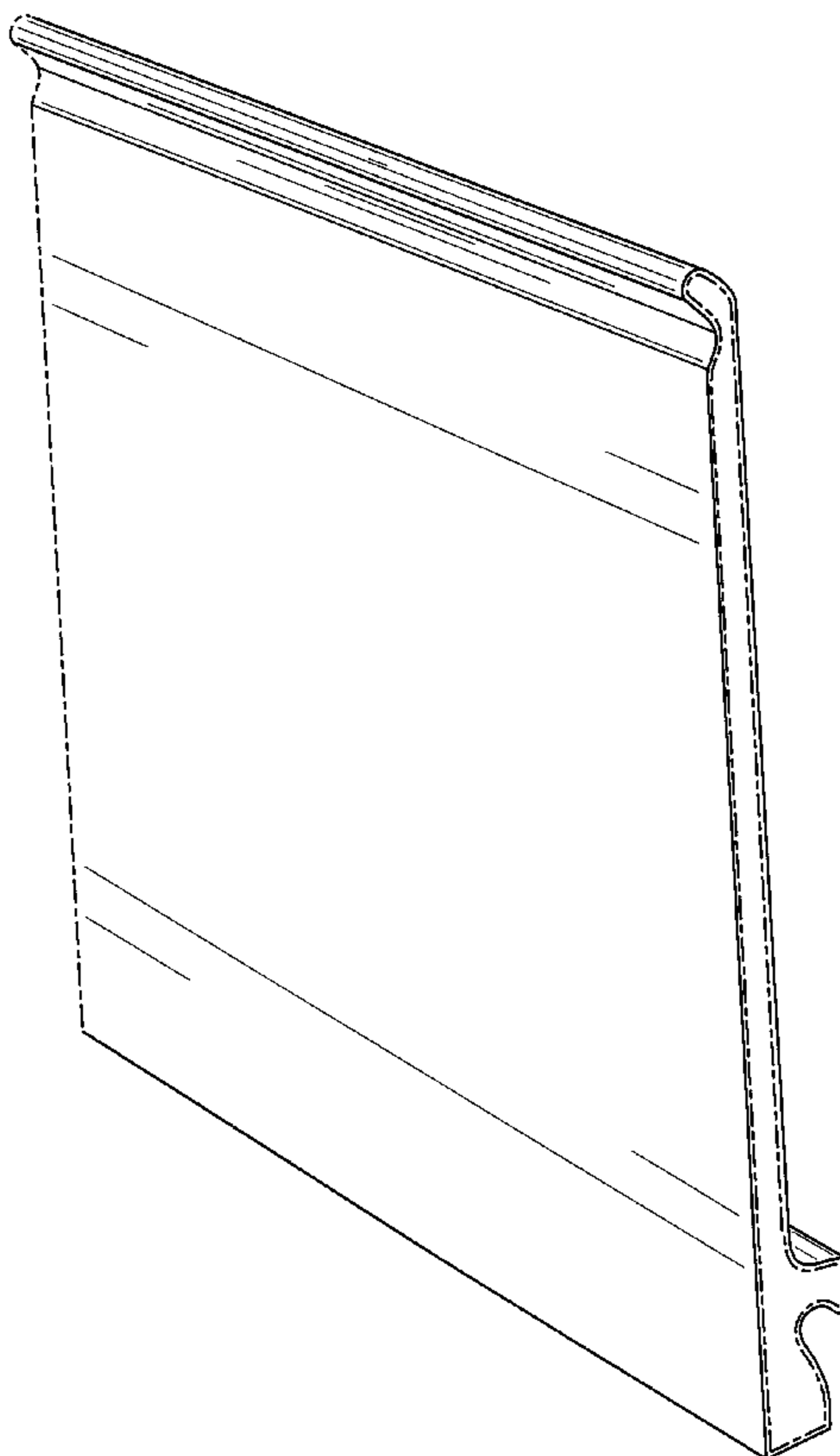
DESCRIPTION

FIG. 1 is a end view of a siding element showing our new design; and,

FIG. 2 is a front perspective view thereof.

The broken line showing of the inside of siding element and the depicted far edge of the siding element is for environmental purposes only and forms no part of the claimed design. Unshown portions of the siding element form no part of the claimed design.

1 Claim, 2 Drawing Sheets



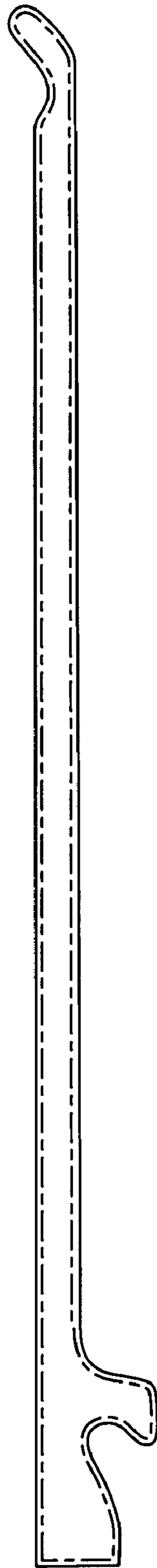


FIG. 1

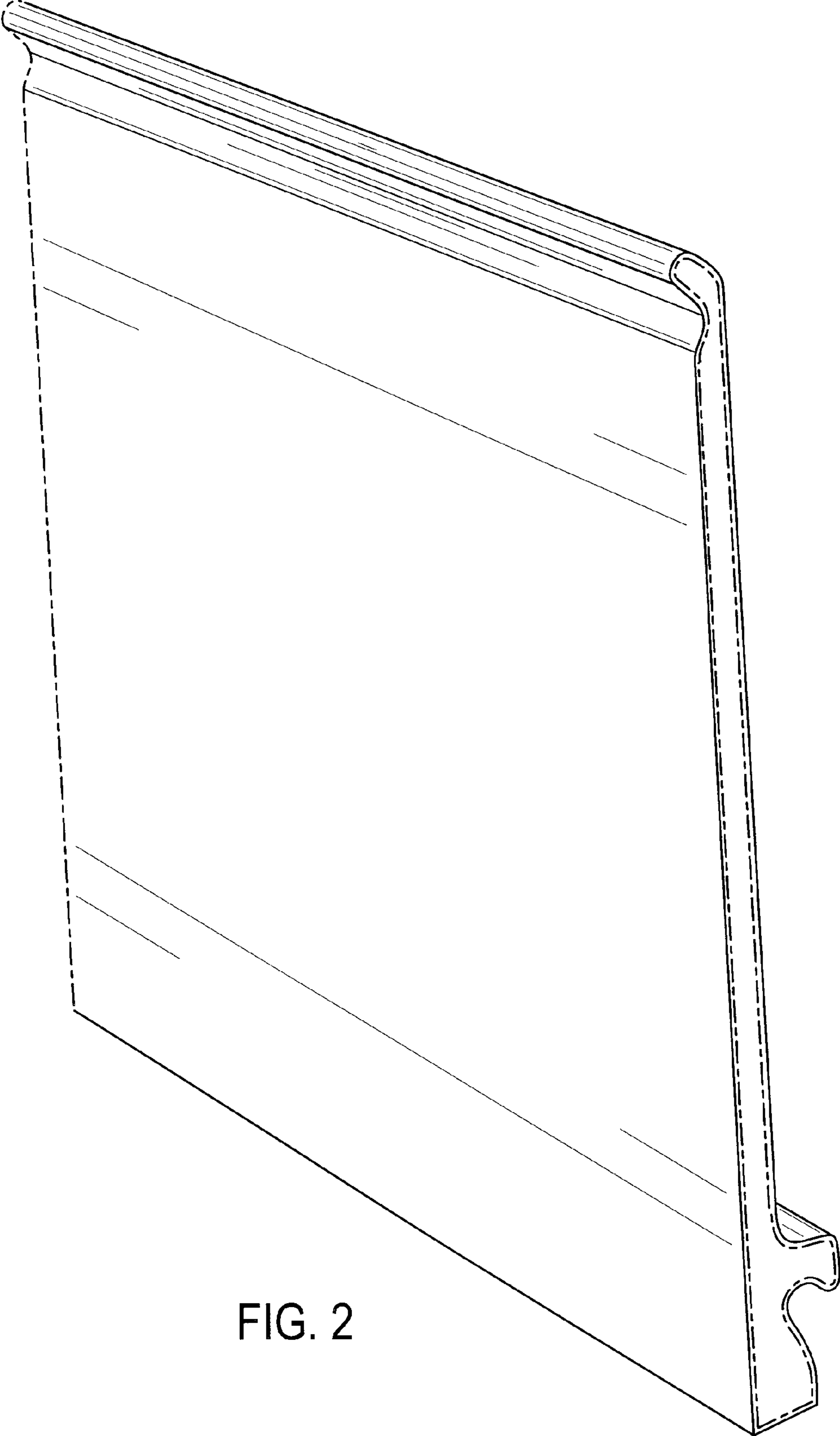


FIG. 2