



US00D603066S

(12) **United States Design Patent**  
**Warren et al.**

(10) **Patent No.:** **US D603,066 S**  
(45) **Date of Patent:** **\*\* Oct. 27, 2009**

(54) **CONSTRUCTION PANEL**

(76) Inventors: **Anthony G. Warren**, #506, 7905-96 Street, Alberta, Edmonton (CA) T6C 4R3; **Richard F. Kulhawe**, #103, Brentwood Professional Place, 48 Brentwood Blvd., Alberta, Sherwood Park (CA) T8A 2H5

(\*\*) Term: **14 Years**

(21) Appl. No.: **29/324,844**

(22) Filed: **Sep. 22, 2008**

(30) **Foreign Application Priority Data**

Apr. 15, 2008 (CA) ..... 125593

(51) **LOC (9) Cl.** ..... **25-01**

(52) **U.S. Cl.** ..... **D25/138**

(58) **Field of Classification Search** ..... D25/138, D25/139, 140-141, 157; 52/311.2, 534, 52/506.05, 506.06, 506.07, 793.1, 793.11, 52/794.1, 795.1, 783.1; 428/166-120, 72-73  
See application file for complete search history.

(56) **References Cited**

**U.S. PATENT DOCUMENTS**

D486,592 S \* 2/2004 Hong ..... D25/138

D528,671 S \* 9/2006 Grafenauer ..... D25/138  
D533,950 S \* 12/2006 Givoni ..... D25/138  
D537,544 S \* 2/2007 Bledsoe et al. .... D25/138  
D582,574 S \* 12/2008 Mackenzie ..... D25/138

\* cited by examiner

*Primary Examiner*—Catherine R Oliver  
(74) *Attorney, Agent, or Firm*—The Webb Law Firm

(57) **CLAIM**

The ornamental design for a construction panel, as shown and described.

**DESCRIPTION**

FIG. 1 is a perspective view of the construction panel showing our new design;

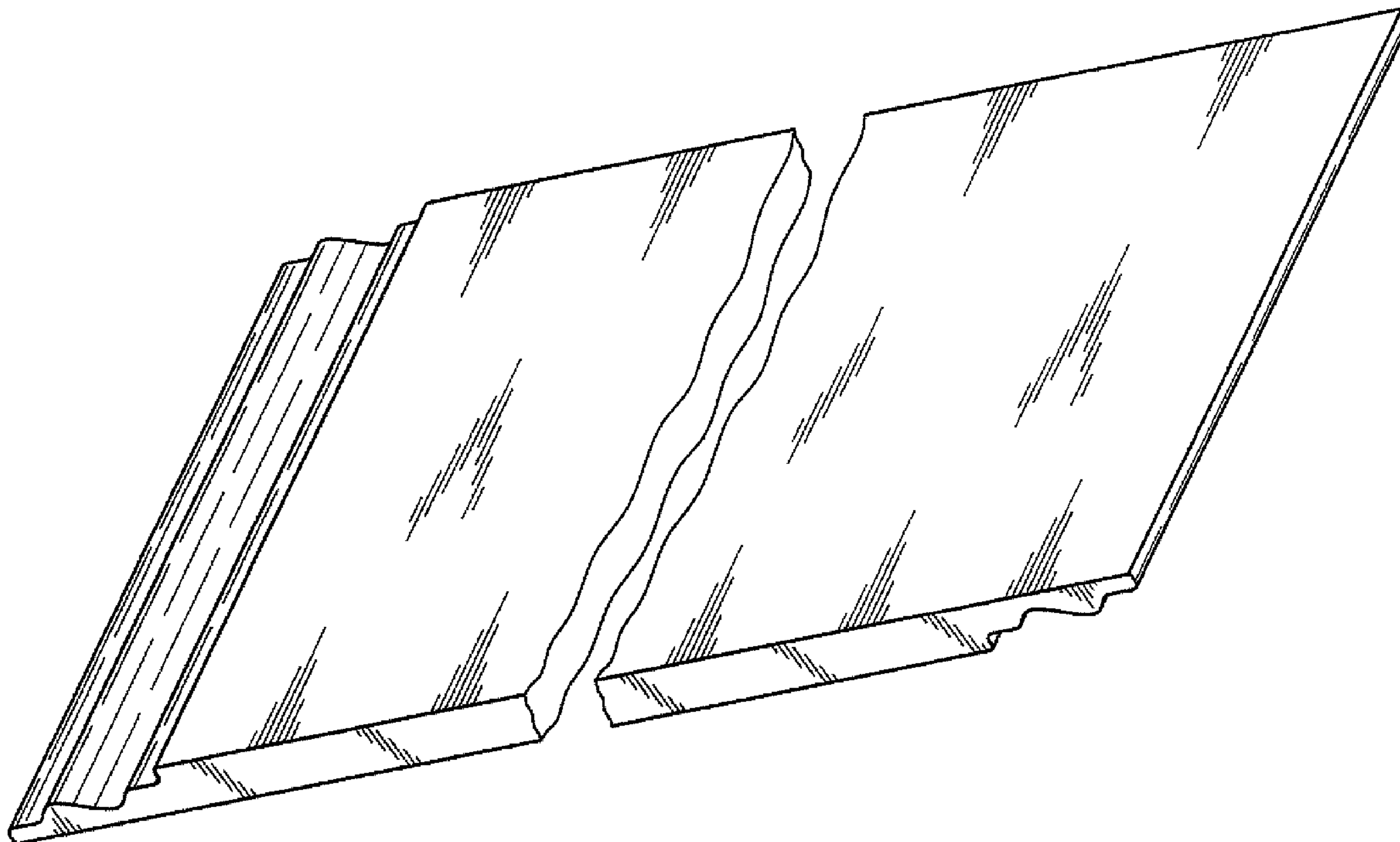
FIG. 2 is a top plan view thereof, which is a mirror image of a bottom plan view thereof;

FIG. 3 is a right elevational view thereof; and,

FIG. 4 is a left elevational view thereof.

The construction panel has been broken in the center to show indefinite length. The broken lines are for illustrative purposes only and form no part of the claimed design.

**1 Claim, 4 Drawing Sheets**



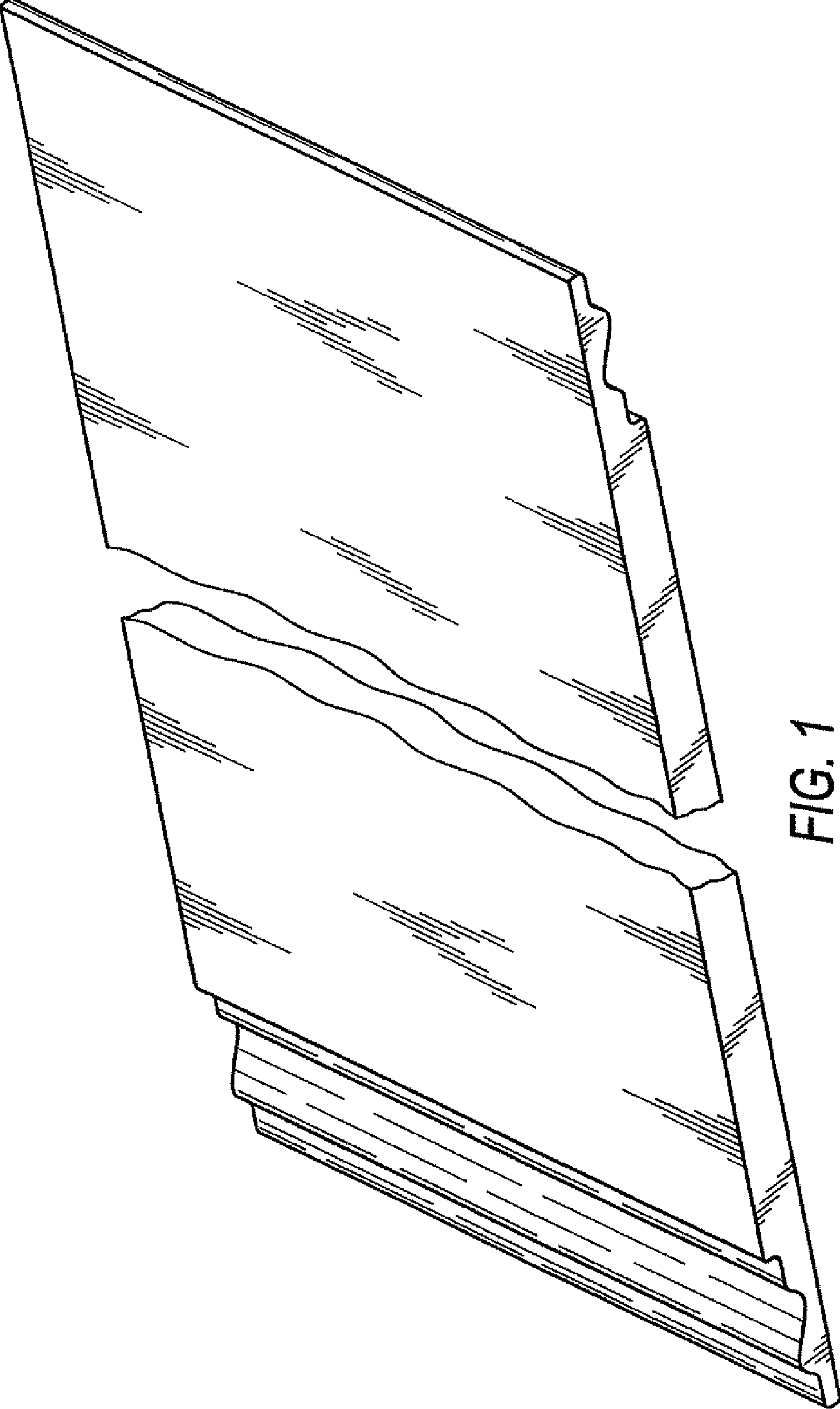


FIG. 1

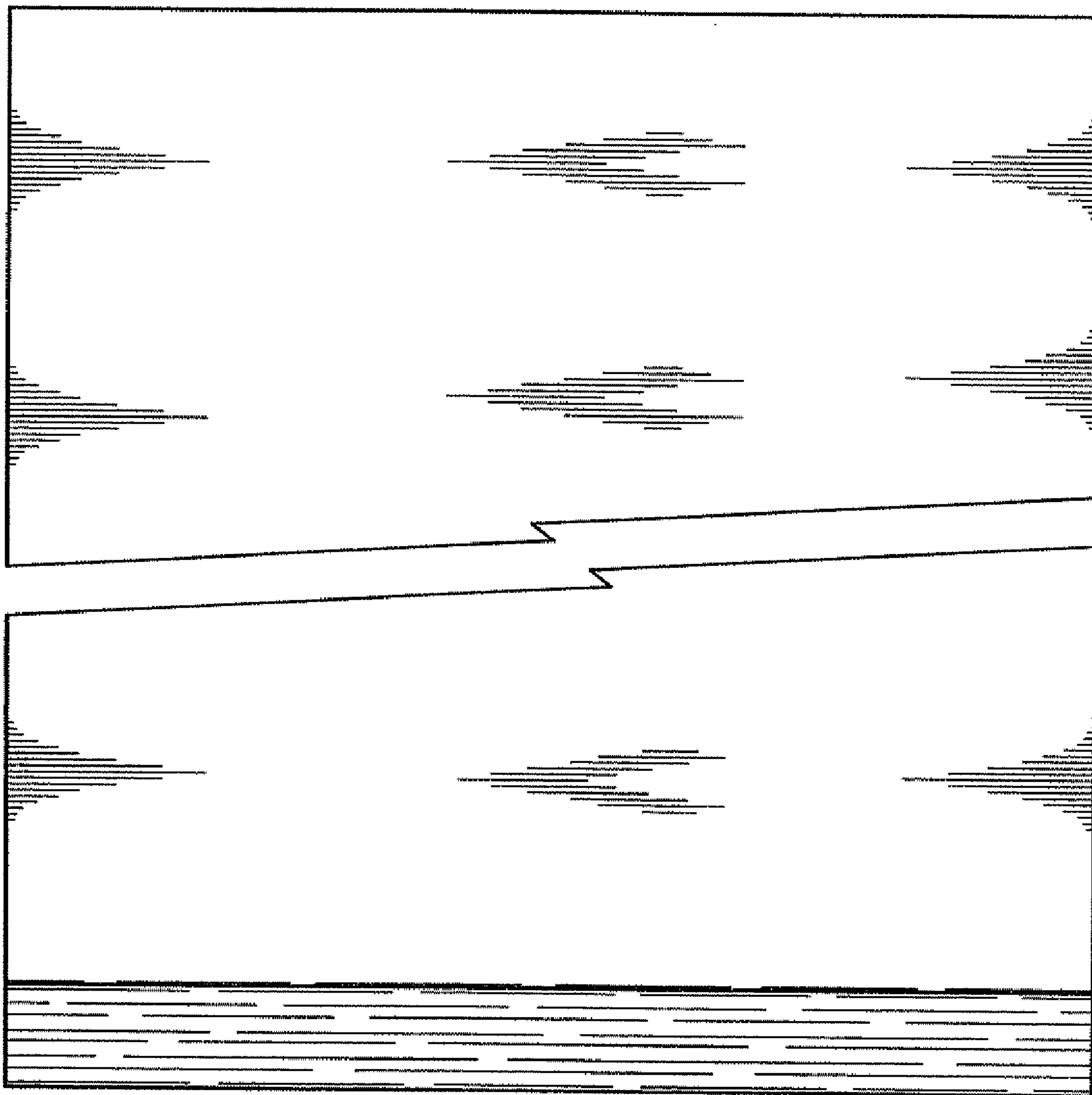


FIG. 2



FIG. 3



FIG. 4