



US00D603065S

(12) **United States Design Patent**  
**Hamilton et al.**

(10) **Patent No.:** **US D603,065 S**  
(45) **Date of Patent:** **\*\* Oct. 27, 2009**

(54) **BEAM FOR A PARTITION ASSEMBLY**

(75) Inventors: **John Hamilton**, Emeryville, CA (US);  
**Marv Knauf**, Conklin, MI (US);  
**Bradley Youngs**, Byron Center, MI  
(US); **Mark Slager**, Caledonia, MI (US);  
**Kurt Heidmann**, Grand Rapids, MI  
(US); **Michael J. Feldpausch**,  
Middleville, MI (US); **Dan Phillips**,  
Kentwood, MI (US)

6,725,784 B2 4/2004 Crinion  
6,754,998 B2 6/2004 Diffrient et al.  
6,756,539 B1 \* 6/2004 VanderVelde ..... 174/496  
6,761,004 B2 7/2004 Anglin et al.  
D497,211 S \* 10/2004 Strassle ..... D25/126  
6,920,727 B2 7/2005 Yu et al.  
6,964,138 B2 \* 11/2005 Carroll et al. .... 52/239  
7,055,287 B2 6/2006 Yu et al.  
7,249,624 B2 7/2007 Zeh et al.  
2002/0088188 A1 7/2002 Chang

\* cited by examiner

(73) Assignee: **Steelcase Inc.**, Grand Rapids, MI (US)

*Primary Examiner*—Doris Clark

(\*\*) Term: **14 Years**

(74) *Attorney, Agent, or Firm*—Price, Heneveld, Cooper,  
DeWitt & Litton, LLP

(21) Appl. No.: **29/318,650**

(57) **CLAIM**

(22) Filed: **May 23, 2008**

We claim the ornamental design for a beam for a partition  
assembly, as shown.

(51) **LOC (9) Cl.** ..... **25-01**

(52) **U.S. Cl.** ..... **D25/126**

(58) **Field of Classification Search** ..... 52/481.2,  
52/481.1, 764, 238.1, 239, 220.7, 36.1; 312/257.1,  
312/406; D25/126, 61

See application file for complete search history.

**DESCRIPTION**

FIG. 1 is a perspective view showing a front, top and first end  
of the beam for a partition assembly of the present invention;  
FIG. 2 is an enlarged fragmented perspective view of the  
front, top and first end of the beam for a partition assembly  
shown in FIG. 1.

(56) **References Cited**

U.S. PATENT DOCUMENTS

3,749,432	A	7/1973	Janssen
4,382,642	A	5/1983	Burdick
4,619,486	A	10/1986	Hannah et al.
4,914,873	A	4/1990	Newhouse
4,974,913	A	12/1990	Vogt et al.
5,186,425	A	2/1993	Keusch et al.
5,362,923	A	11/1994	Newhouse et al.
5,394,658	A	3/1995	Schreiner et al.
5,428,928	A	7/1995	Hellwig et al.
5,606,919	A	3/1997	Fox et al.
5,852,904	A	12/1998	Yu et al.
6,152,048	A	11/2000	Vander Park
6,161,347	A	12/2000	Yu et al.
6,176,561	B1	1/2001	Roels et al.
6,367,213	B1	4/2002	Reuter et al.
6,658,805	B1	12/2003	Yu et al.

FIG. 3 is a front elevational view of the beam for a partition  
assembly, the rear elevational view being a mirror image  
thereof;

FIG. 4 is an elevational view of the first end of the beam for a  
partition assembly, the opposite and second end view being a  
mirror image thereof;

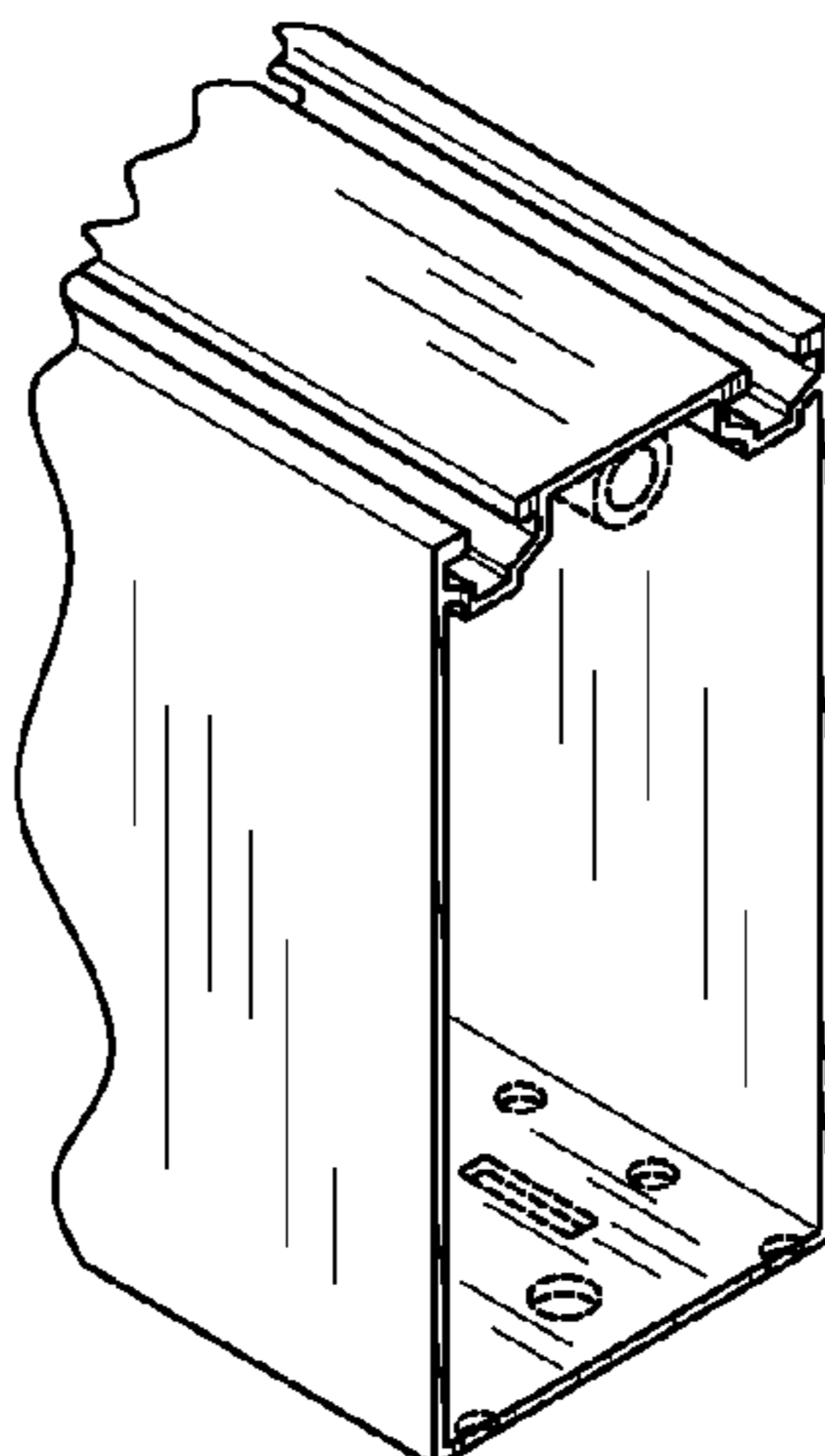
FIG. 5 is a top plan view of the beam for a partition assembly;

FIG. 6 is a bottom plan view of the beam for a partition  
assembly; and,

FIG. 7 is an enlarged fragmented bottom plan view of the  
beam for a partition assembly shown in FIG. 6.

Broken lines in the drawings form no part of the design as  
claimed.

**1 Claim, 2 Drawing Sheets**



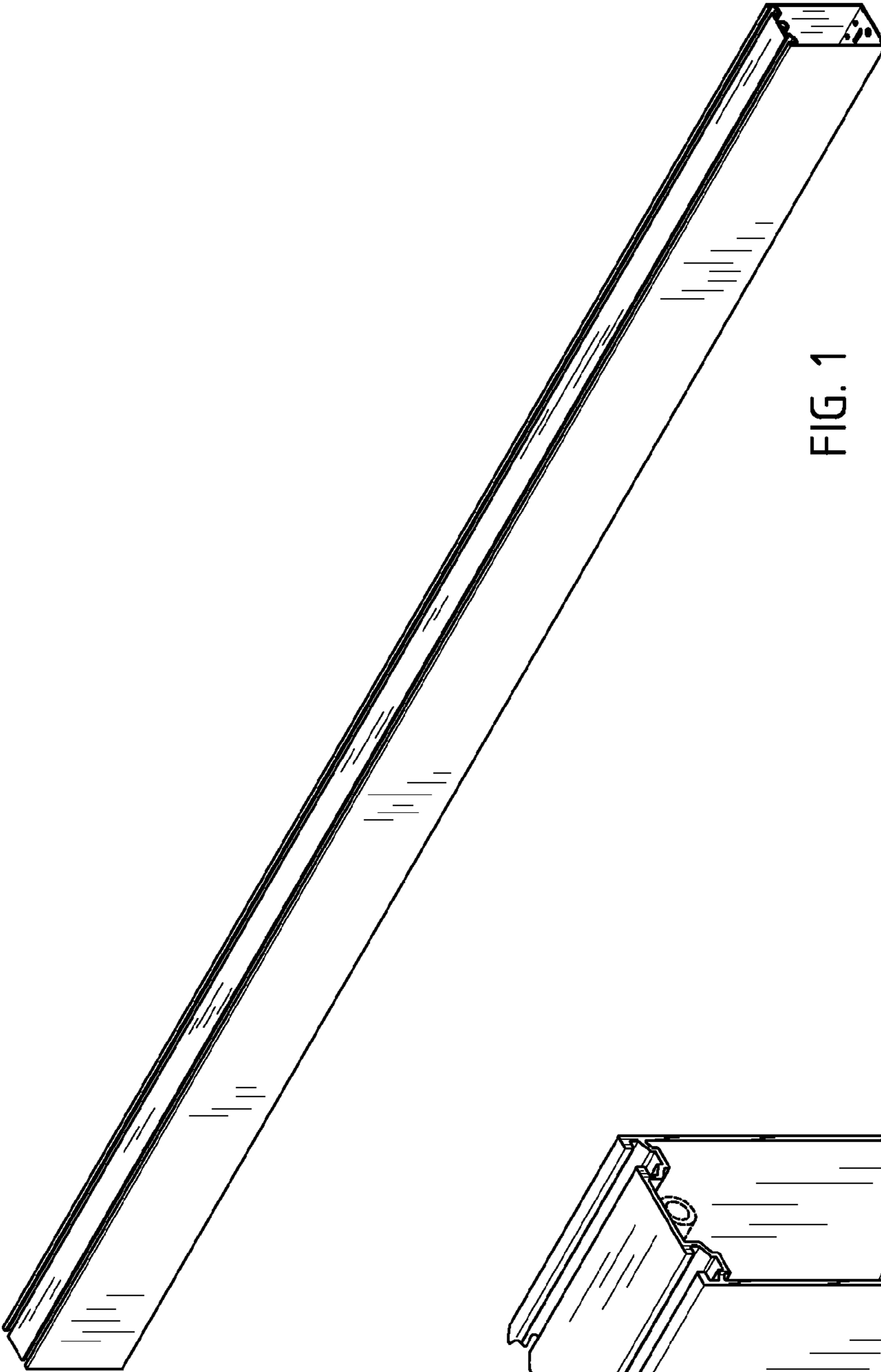


FIG. 1

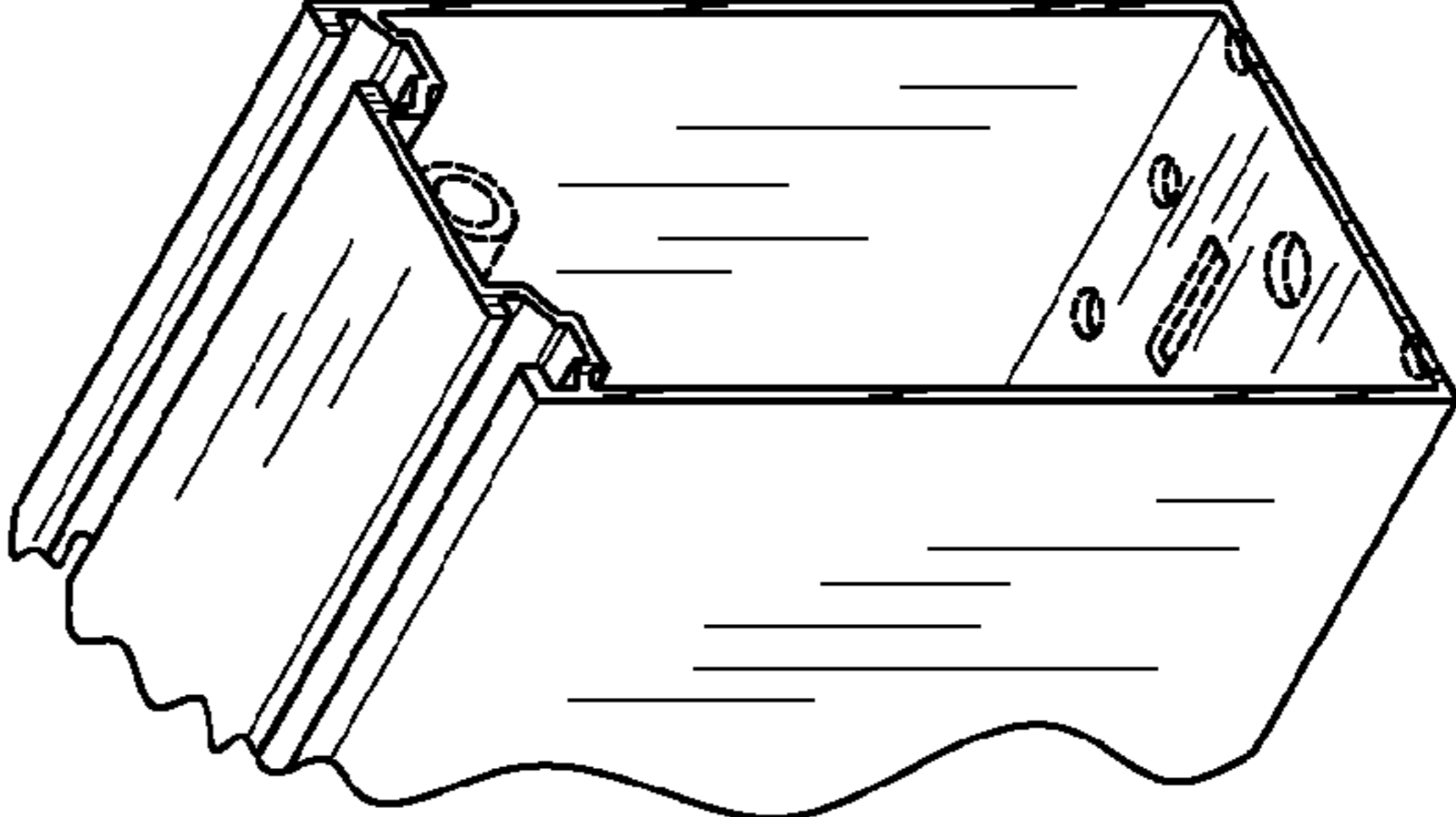


FIG. 2



FIG. 3



FIG. 4



FIG. 5

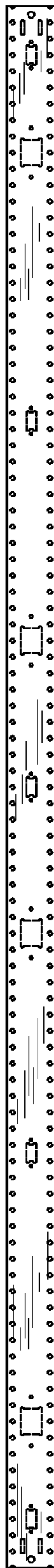


FIG. 6

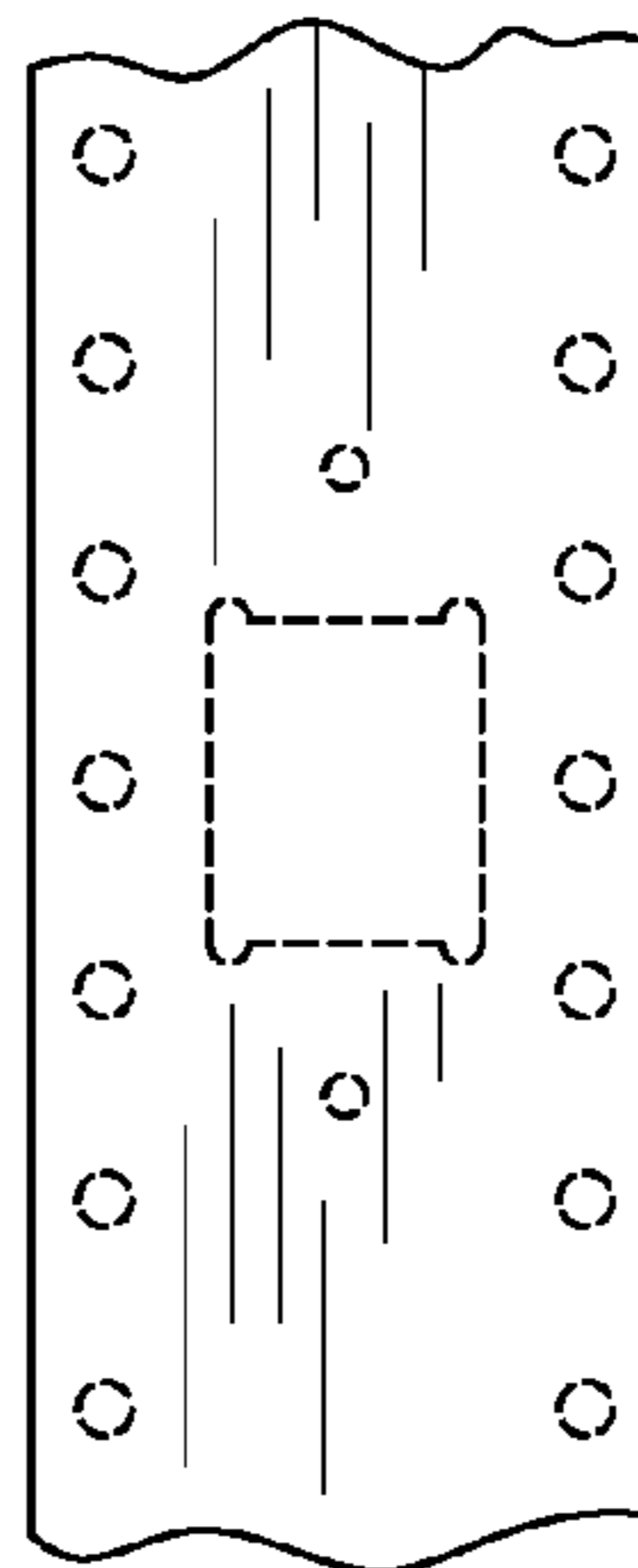


FIG. 7