

US00D603063S

(12) **United States Design Patent**  
**Arnold**

(10) **Patent No.:** **US D603,063 S**  
(45) **Date of Patent:** **\*\* Oct. 27, 2009**

(54) **MASONRY LINE BLOCK**

(76) **Inventor:** **Cloyd Arnold**, 1100 Cole St., Paragould,  
AR (US) 72450

(\*\*) **Term:** **14 Years**

(21) **Appl. No.:** **29/312,557**

(22) **Filed:** **Oct. 30, 2008**

(51) **LOC (9) Cl.** ..... **25-01**

(52) **U.S. Cl.** ..... **D25/114**

(58) **Field of Classification Search** ..... D25/102,  
D25/112-118, 136, 138, 152-162, 164; D21/484-491,  
D21/499-502; 405/16, 17, 33, 35, 284, 286;  
52/503-505, 574, 575, 596-605, 609-612;  
404/29-31

See application file for complete search history.

(56) **References Cited**

**U.S. PATENT DOCUMENTS**

2,559,697	A	7/1951	Anders	.....	33/86
2,585,160	A	2/1952	Munn	.....	33/85
2,667,695	A	2/1954	Price	.....	33/85
2,834,112	A	5/1958	Seagraves	.....	33/85
3,436,832	A	4/1969	Jumberigan	.....	33/86
5,479,713	A	1/1996	Wood	.....	33/407
D426,317	S *	6/2000	Fifield	.....	D25/114
D444,892	S *	7/2001	Winters	.....	D25/113

D445,919	S *	7/2001	Heavner	.....	D25/113
6,412,184	B1 *	7/2002	Heavner	.....	33/409
D498,543	S *	11/2004	Schmitz et al.	.....	D25/113
2007/0130878	A1	6/2007	Davis	.....	52/749.13

\* cited by examiner

*Primary Examiner*—T. Chase Nelson

*Assistant Examiner*—Anhdao Doan

(74) *Attorney, Agent, or Firm*—Keisling Pieper & Scott, PLC;  
Meredith K. Lowry

(57) **CLAIM**

The ornamental design for a masonry line block, as shown and described.

**DESCRIPTION**

FIG. 1 is a top perspective view of a masonry line block showing my new design;

FIG. 2 is a bottom perspective view thereof;

FIG. 3 is a top plan view thereof;

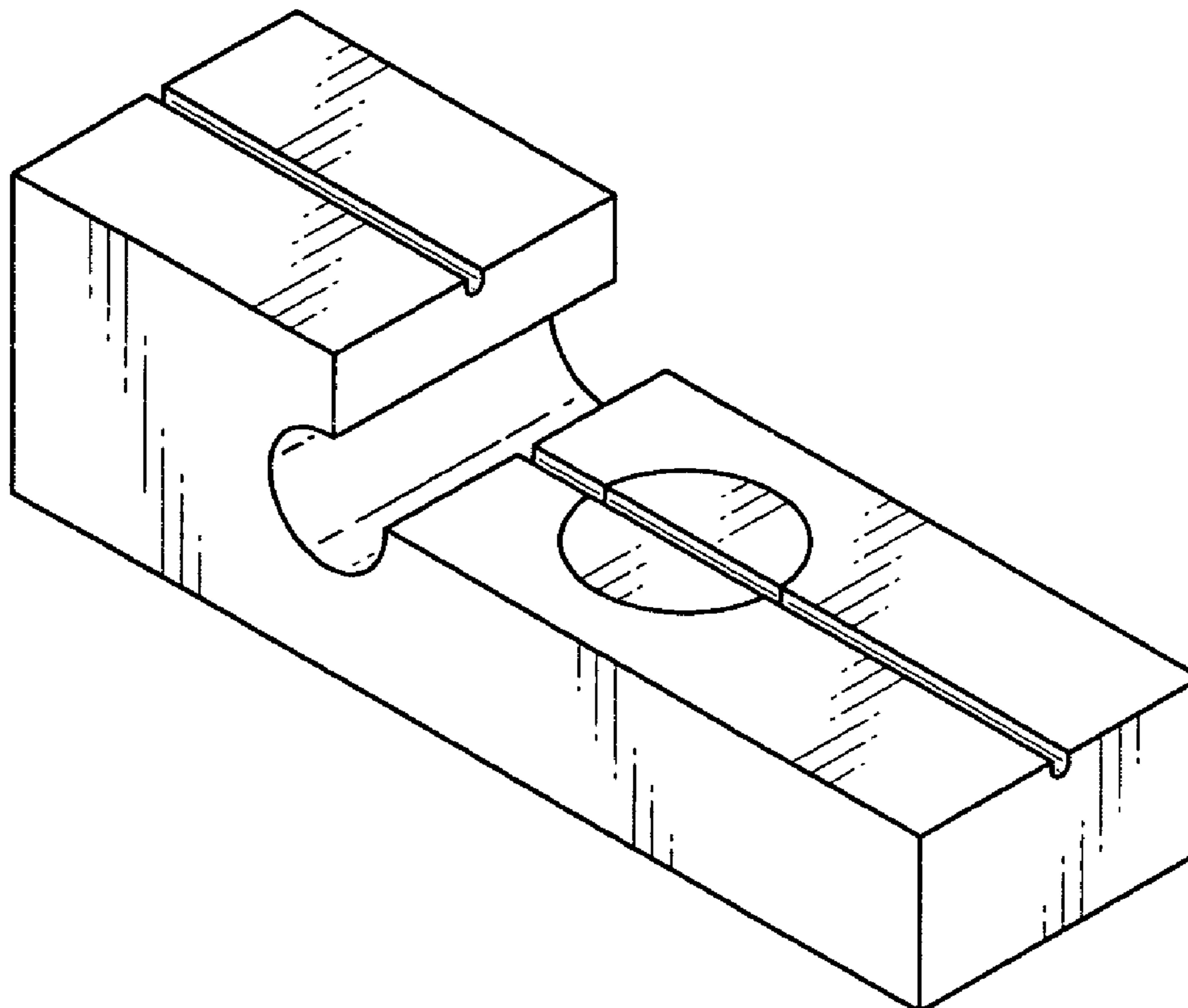
FIG. 4 is a left side elevational view thereof;

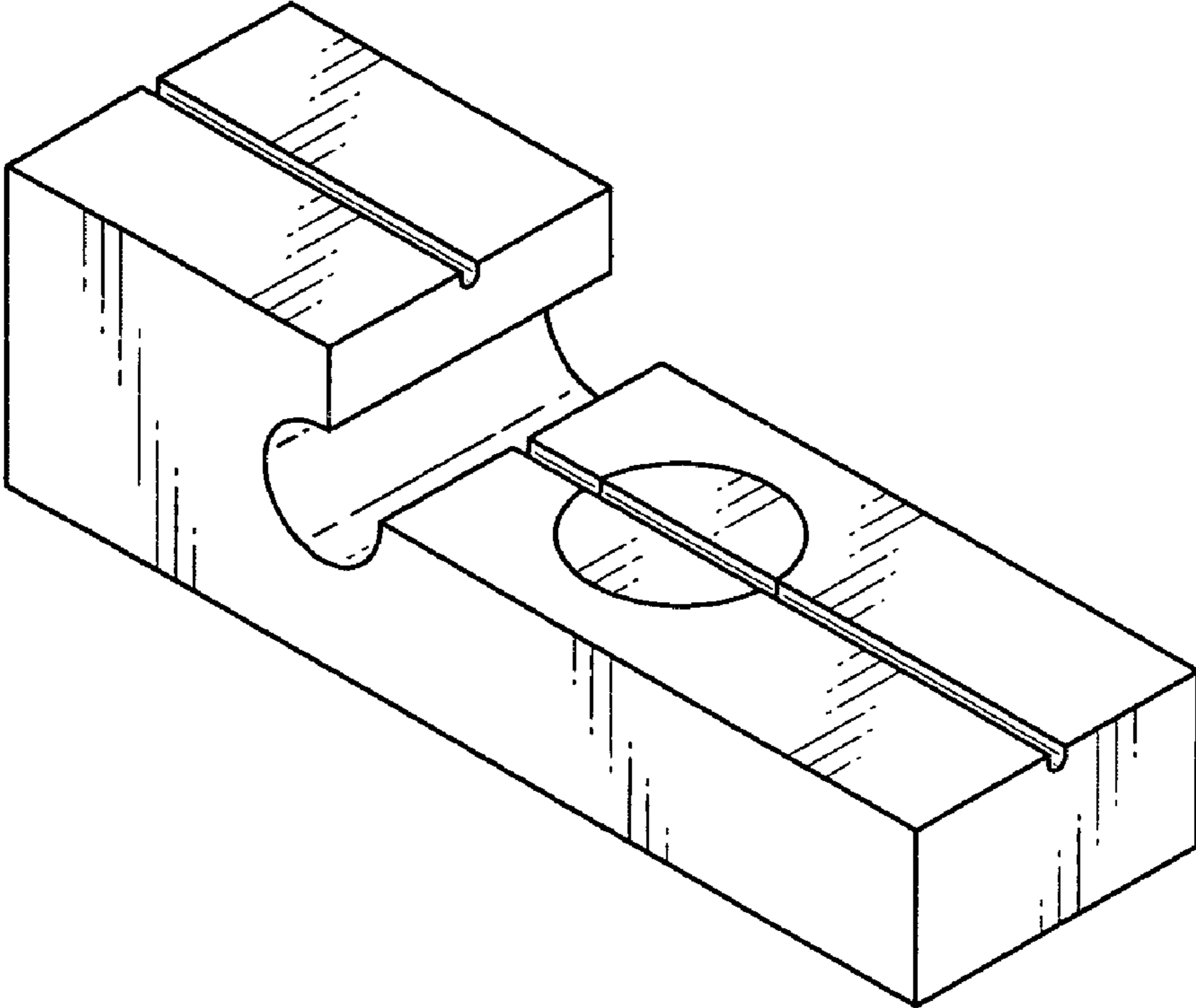
FIG. 5 is a front elevational view thereof, the back being a mirror image;

FIG. 6 is a right side elevational view thereof; and,

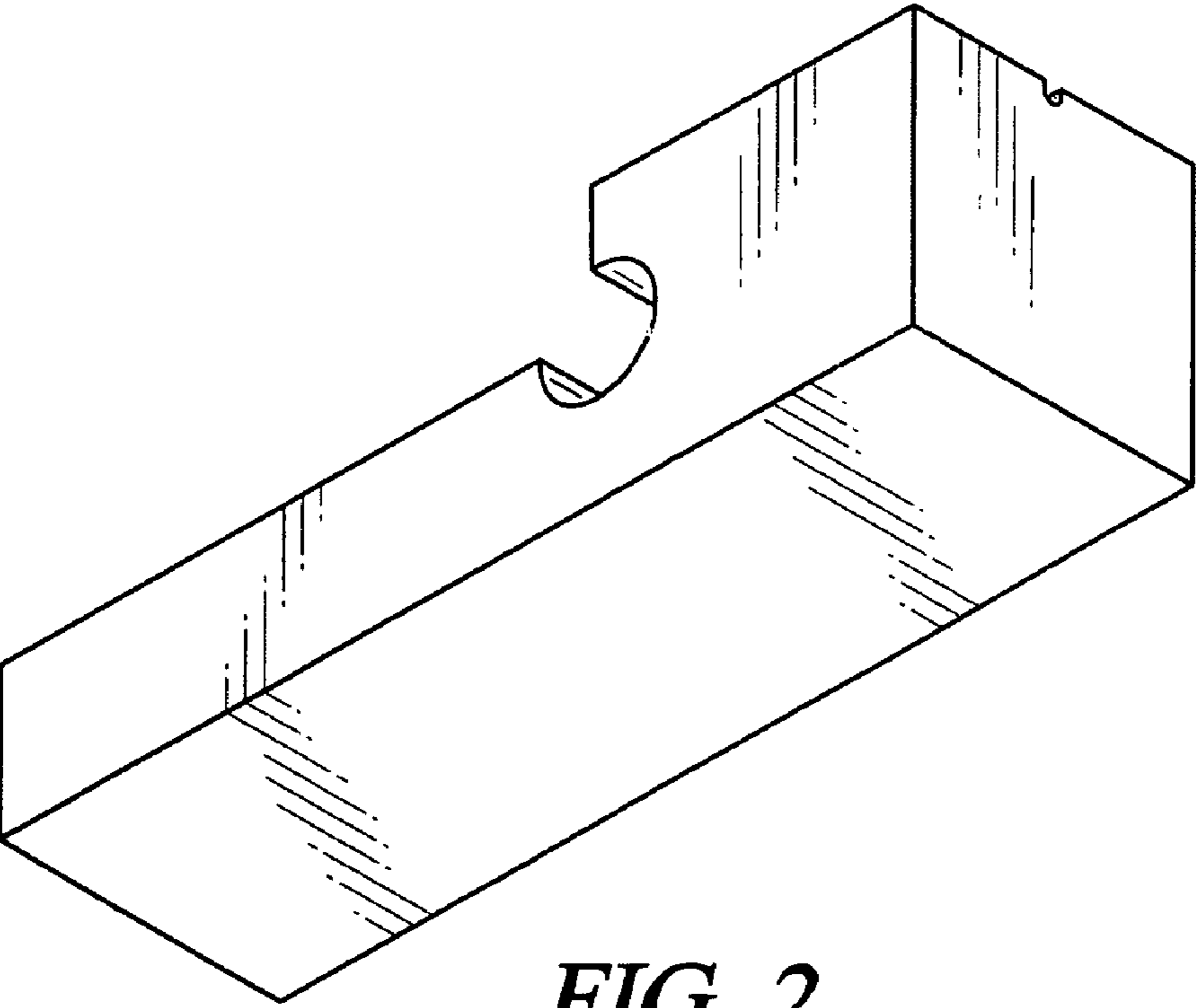
FIG. 7 is a bottom plan view thereof.

**1 Claim, 2 Drawing Sheets**

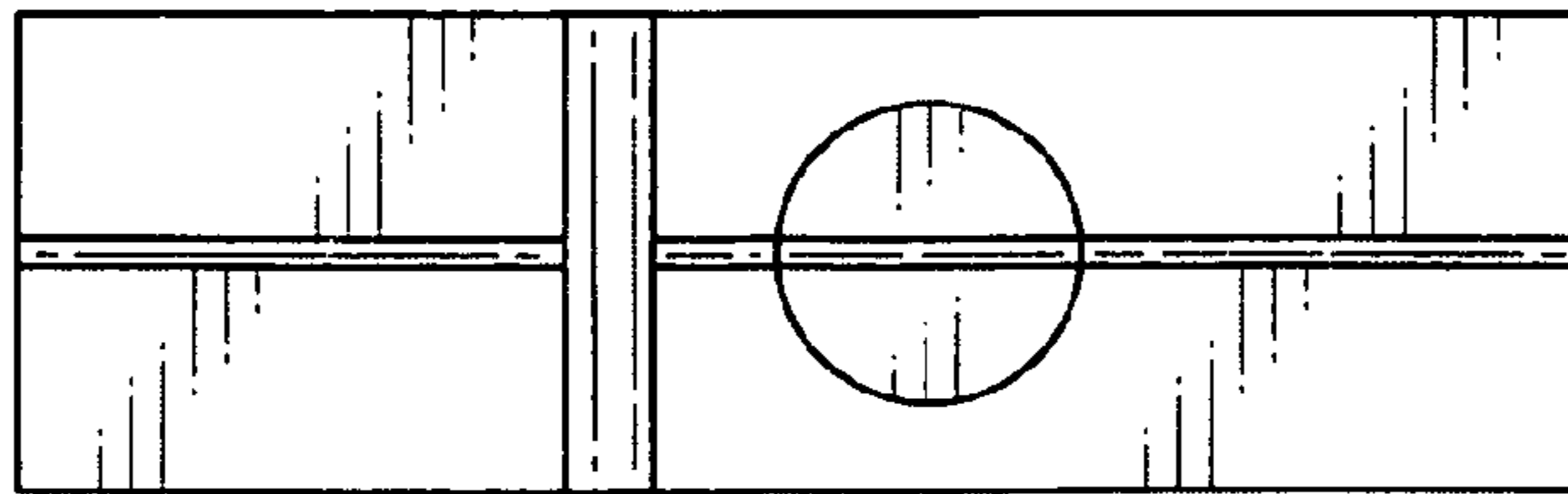




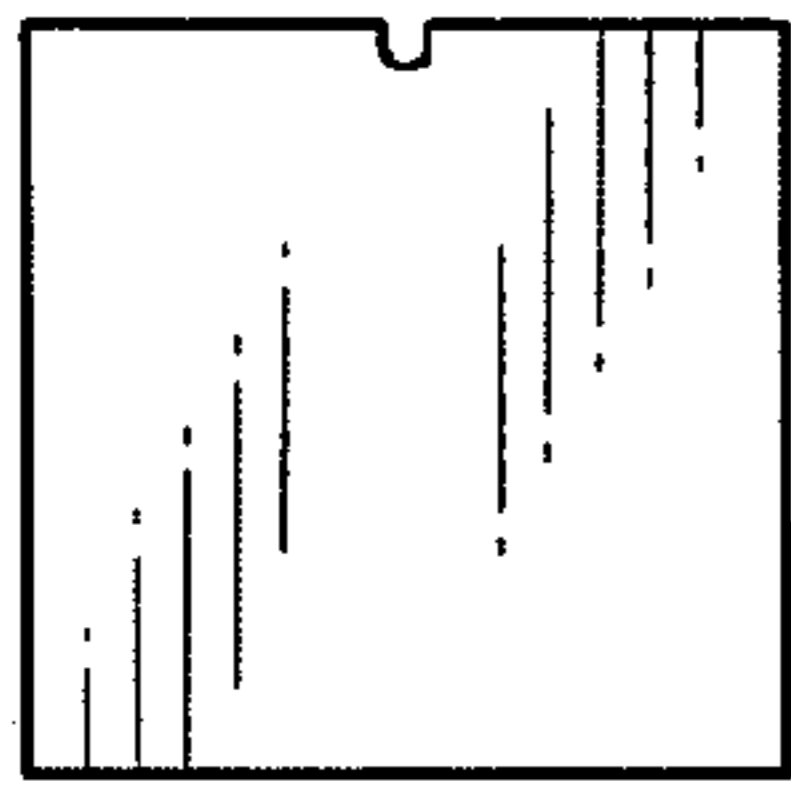
*FIG. 1*



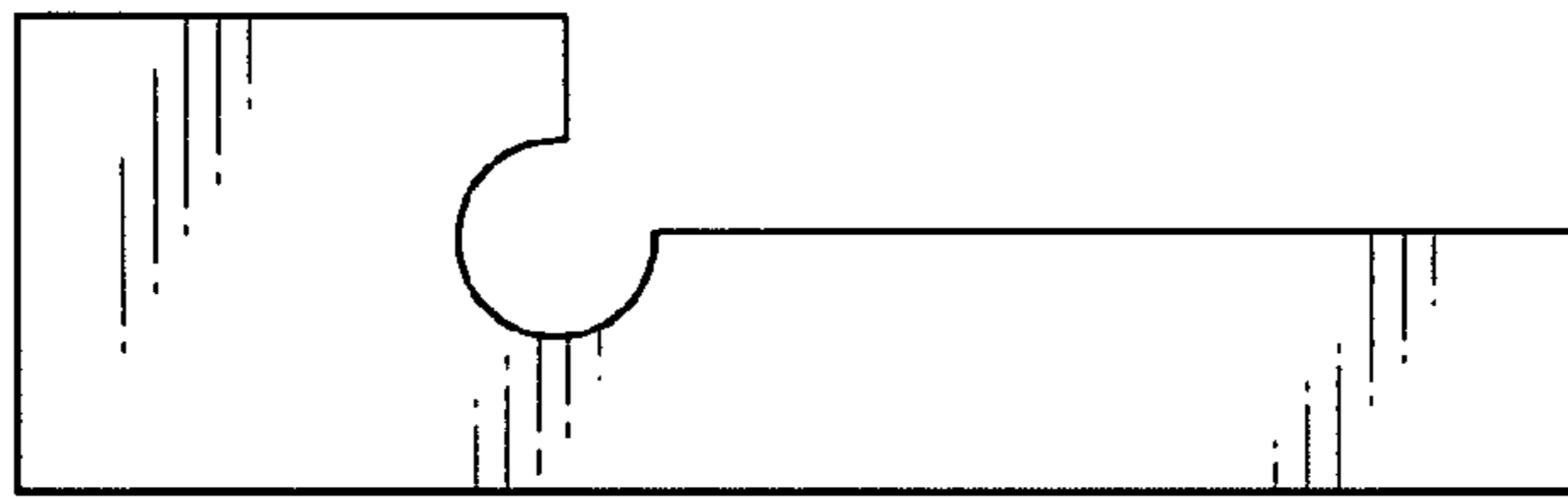
*FIG. 2*



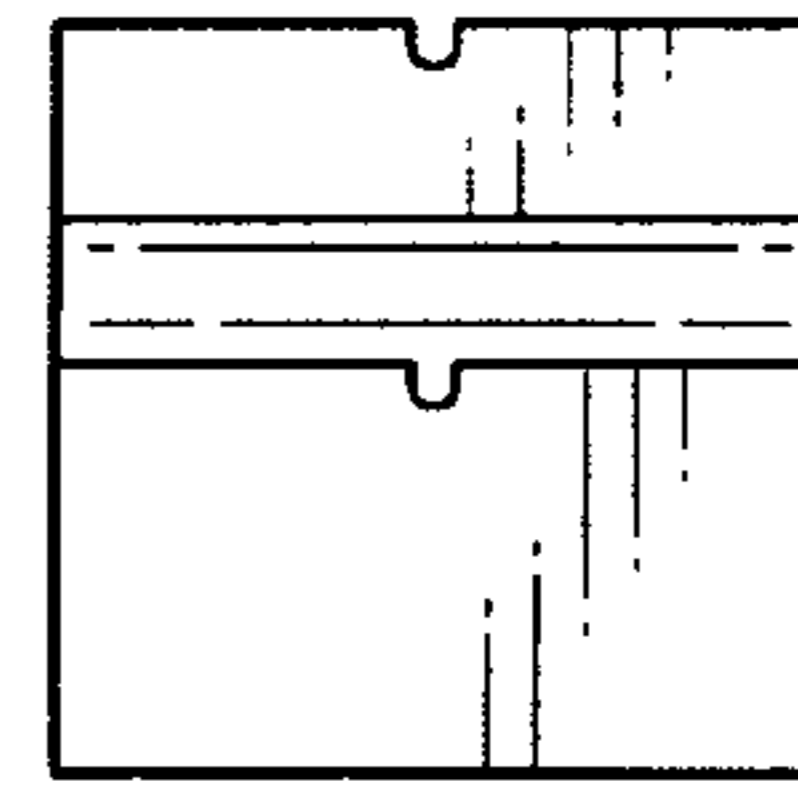
*FIG. 3*



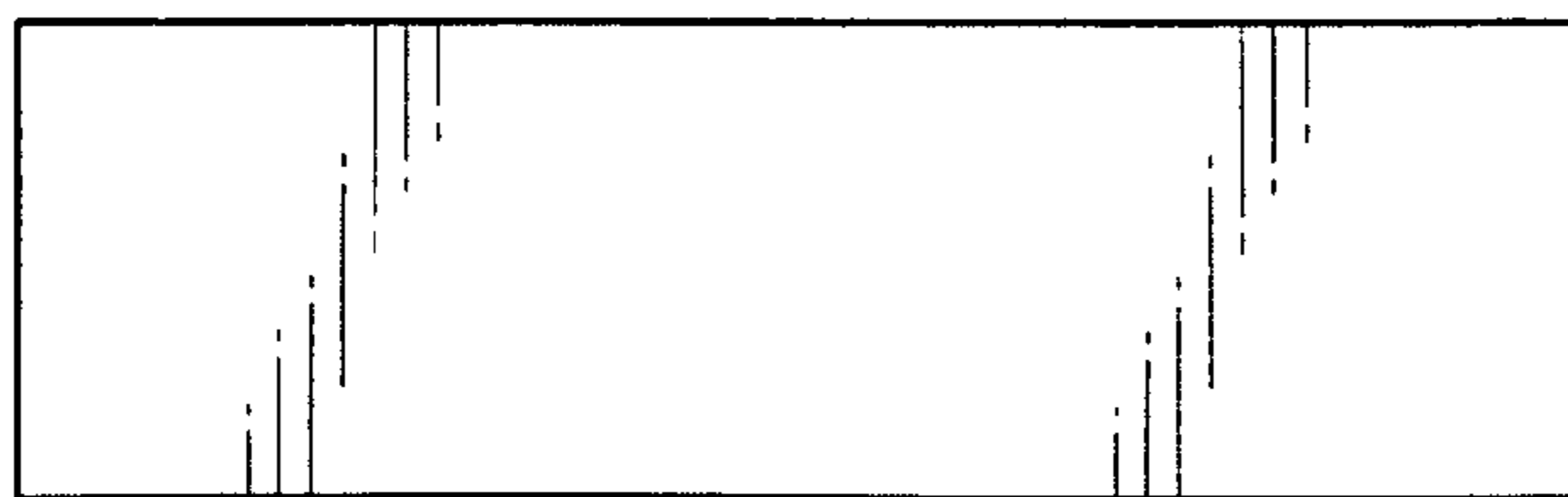
*FIG. 4*



*FIG. 5*



*FIG. 6*



*FIG. 7*