



US00D603058S

(12) **United States Design Patent**
Sears

(10) **Patent No.:** **US D603,058 S**

(45) **Date of Patent:** **** Oct. 27, 2009**

(54) **PERGOLA ROOF SUPPORT STRUCTURE**

(74) *Attorney, Agent, or Firm*—General Counsel, P.C.

(76) Inventor: **Ernest Halsey Sears**, 13902 Napa Dr.,
Manassas, VA (US) 20112

(57) **CLAIM**

The ornamental design for a pergola roof support structure design, as shown and described.

(**) Term: **14 Years**

(21) Appl. No.: **29/327,117**

DESCRIPTION

(22) Filed: **Oct. 30, 2008**

FIG. 1 is a front, elevation view of a new pergola roof support structure design.

(51) **LOC (9) Cl.** **25-02**

FIG. 2 is a top, plan view of said pergola roof support structure design.

(52) **U.S. Cl.** **D25/57**

(58) **Field of Classification Search** D25/57;
52/78, 75, 198, 95; 160/19, 32, 38, 61
See application file for complete search history.

FIG. 3 is an enlarged partial, top, plan view of said pergola roof support structure design.

(56) **References Cited**

FIG. 4 is an enlarged partial, side, elevation view of said pergola roof support structure design.

U.S. PATENT DOCUMENTS

FIG. 5 is an enlarged partial, front, elevation view of said pergola roof support structure design; and,

4,541,214 A * 9/1985 Lambert 52/473

D293,934 S * 1/1988 Lambert et al. D25/57

2005/0198918 A1 * 9/2005 Wang 52/198

2007/0227080 A1 * 10/2007 Tseng 52/78

FIG. 6 is an enlarged partial, perspective view of said pergola roof support structure design.

The broken lines are for illustrative purposes only and form no part of the claimed design.

* cited by examiner

Primary Examiner—Doris Clark

1 Claim, 6 Drawing Sheets

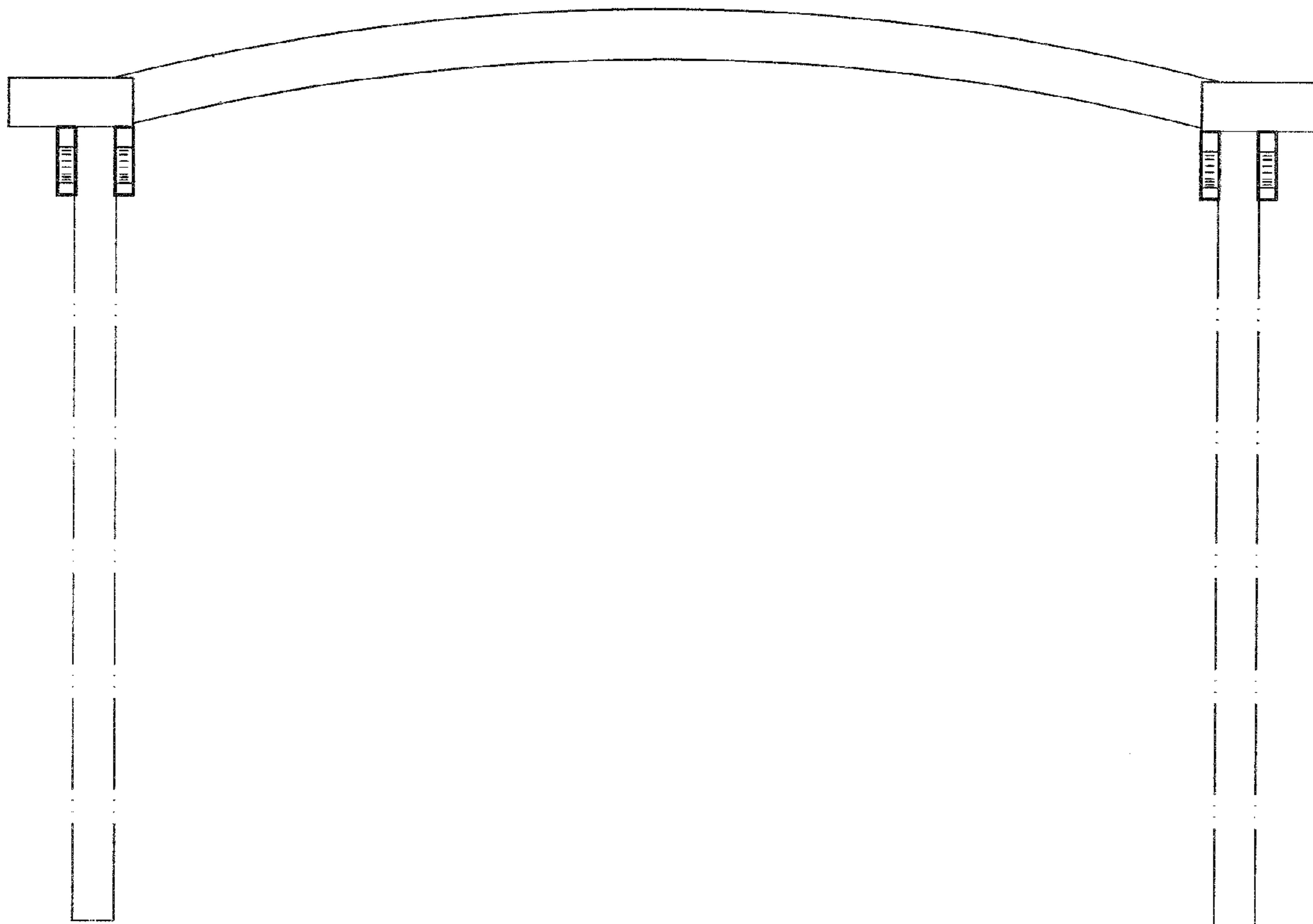


FIG. 1

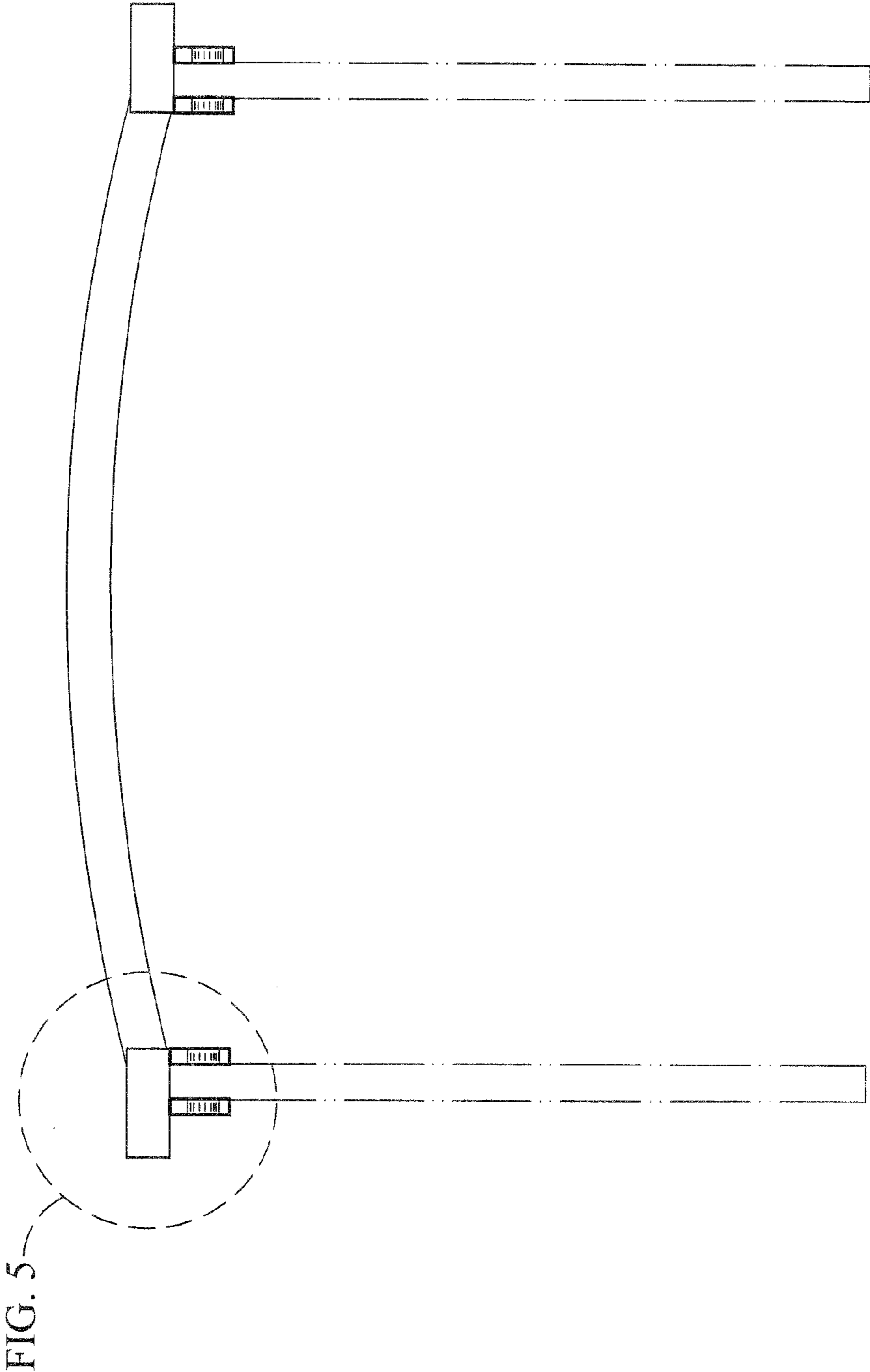


FIG. 2

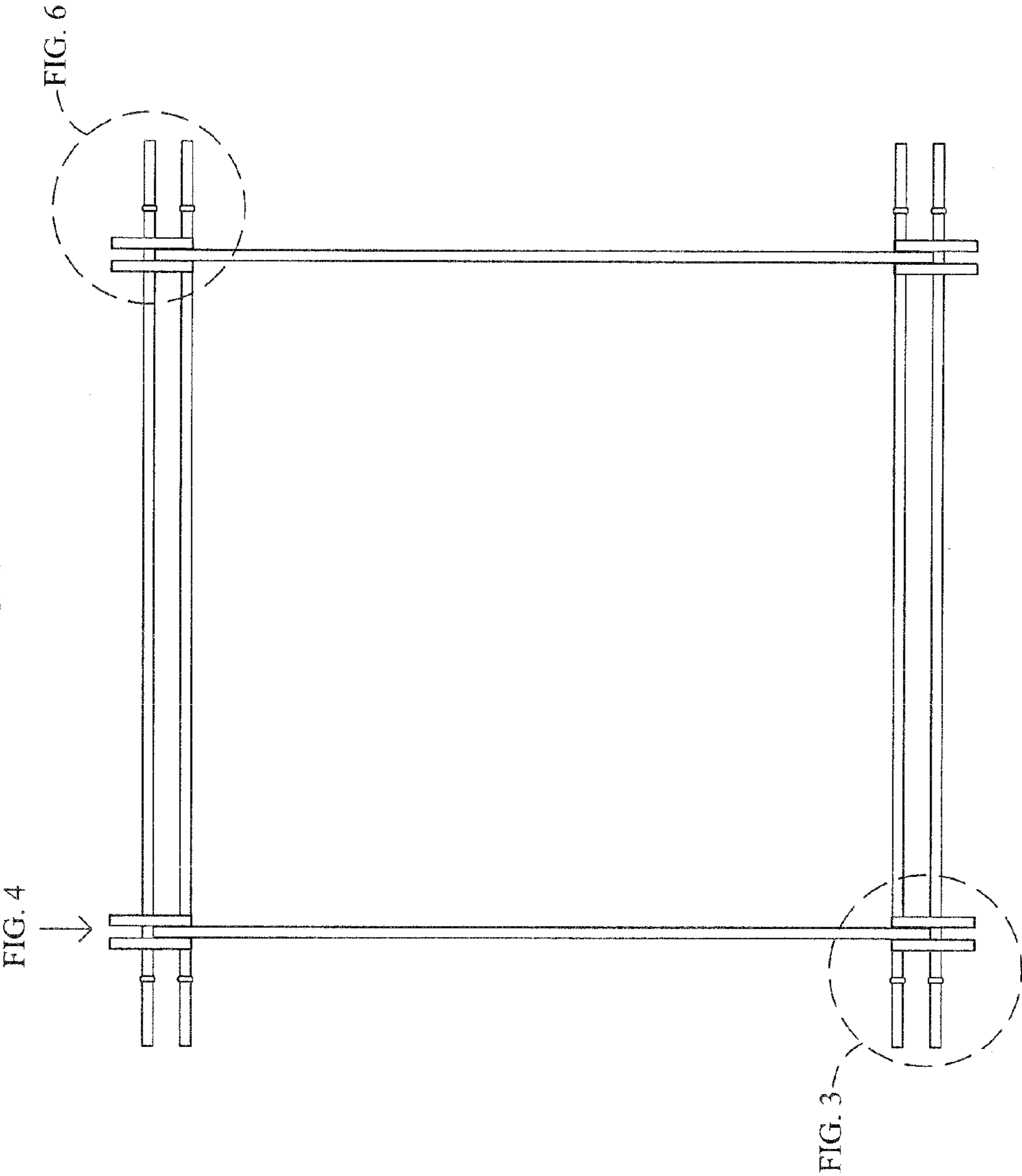


FIG. 3

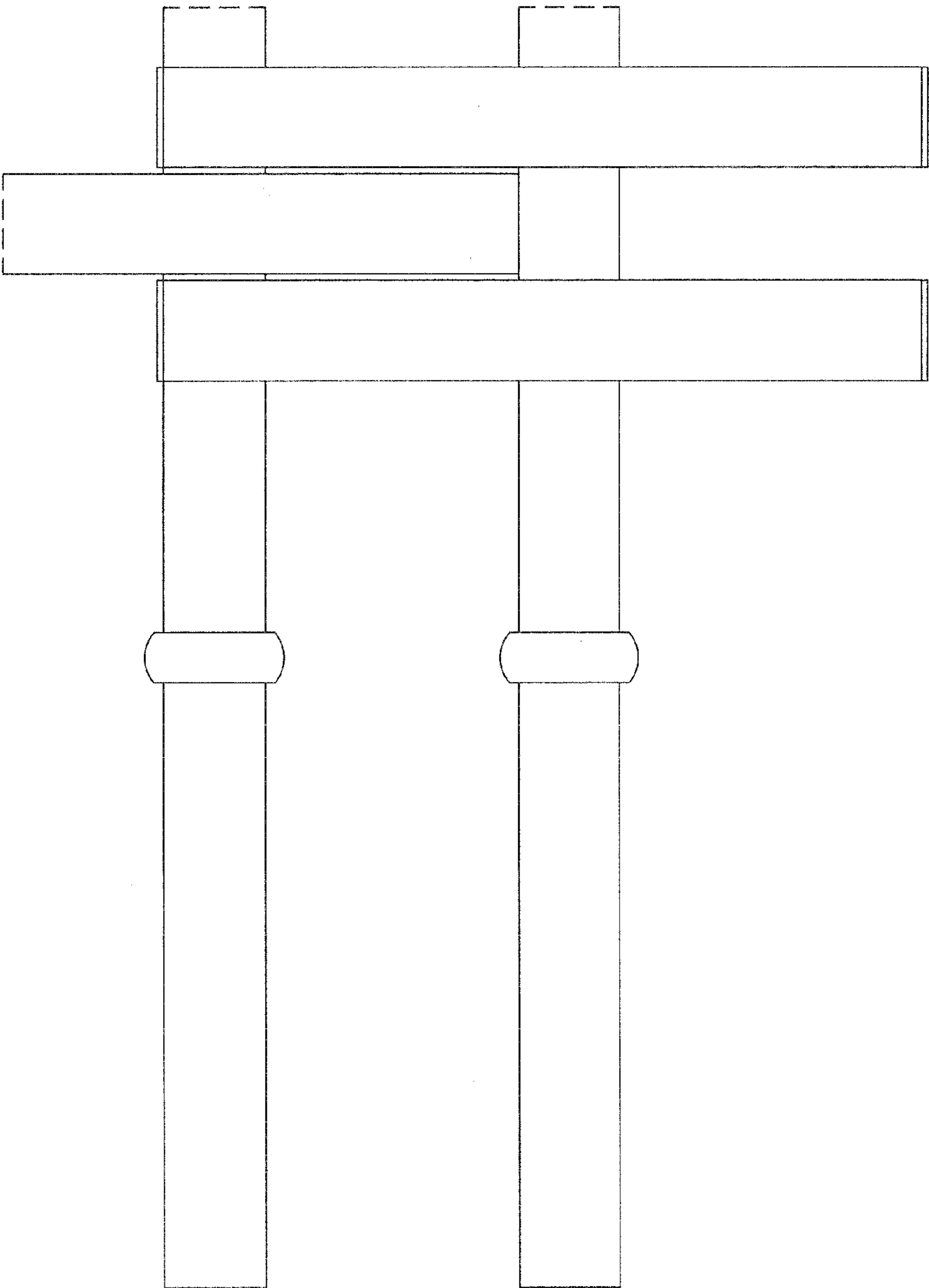


FIG. 4

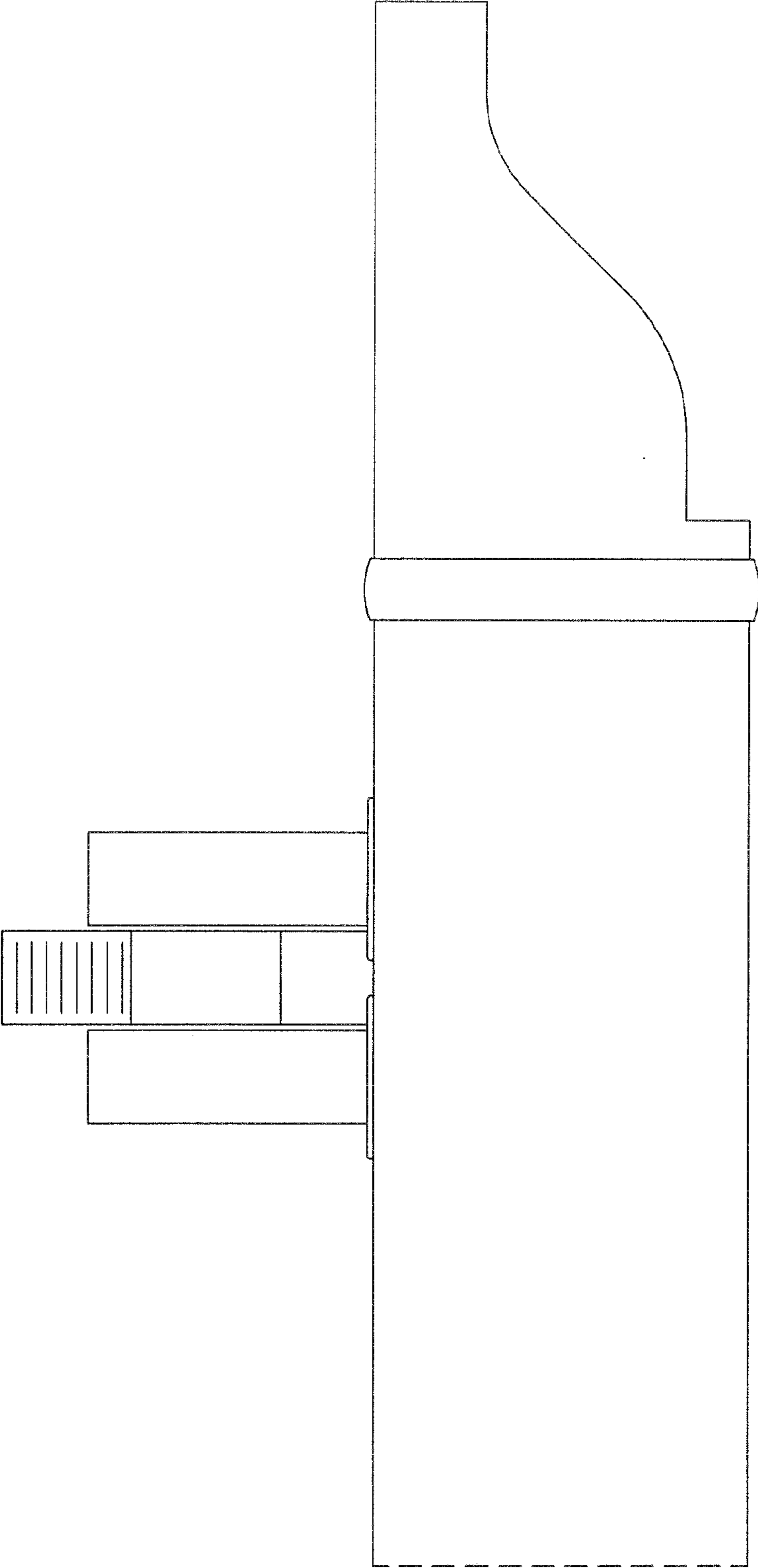
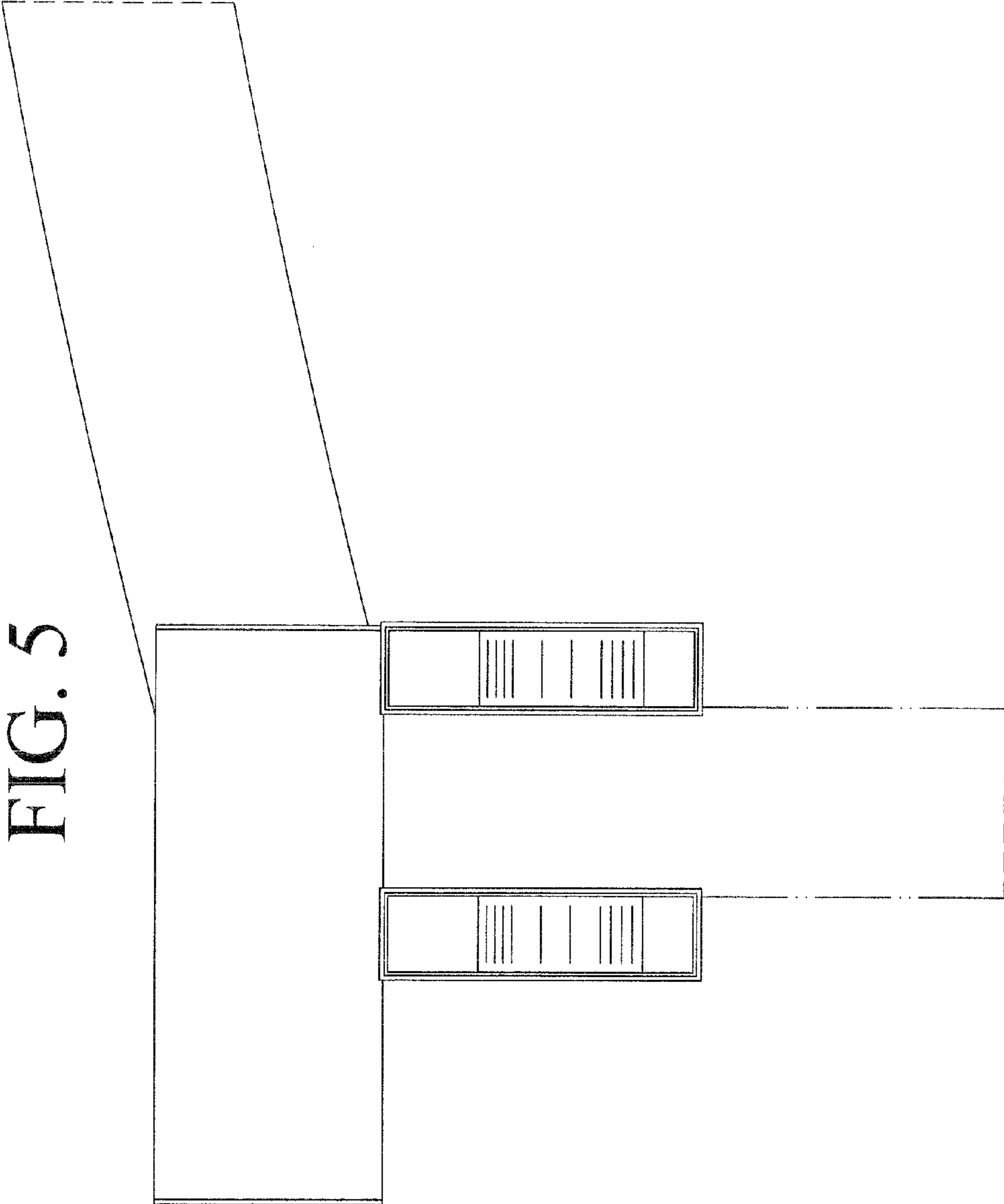


FIG. 5



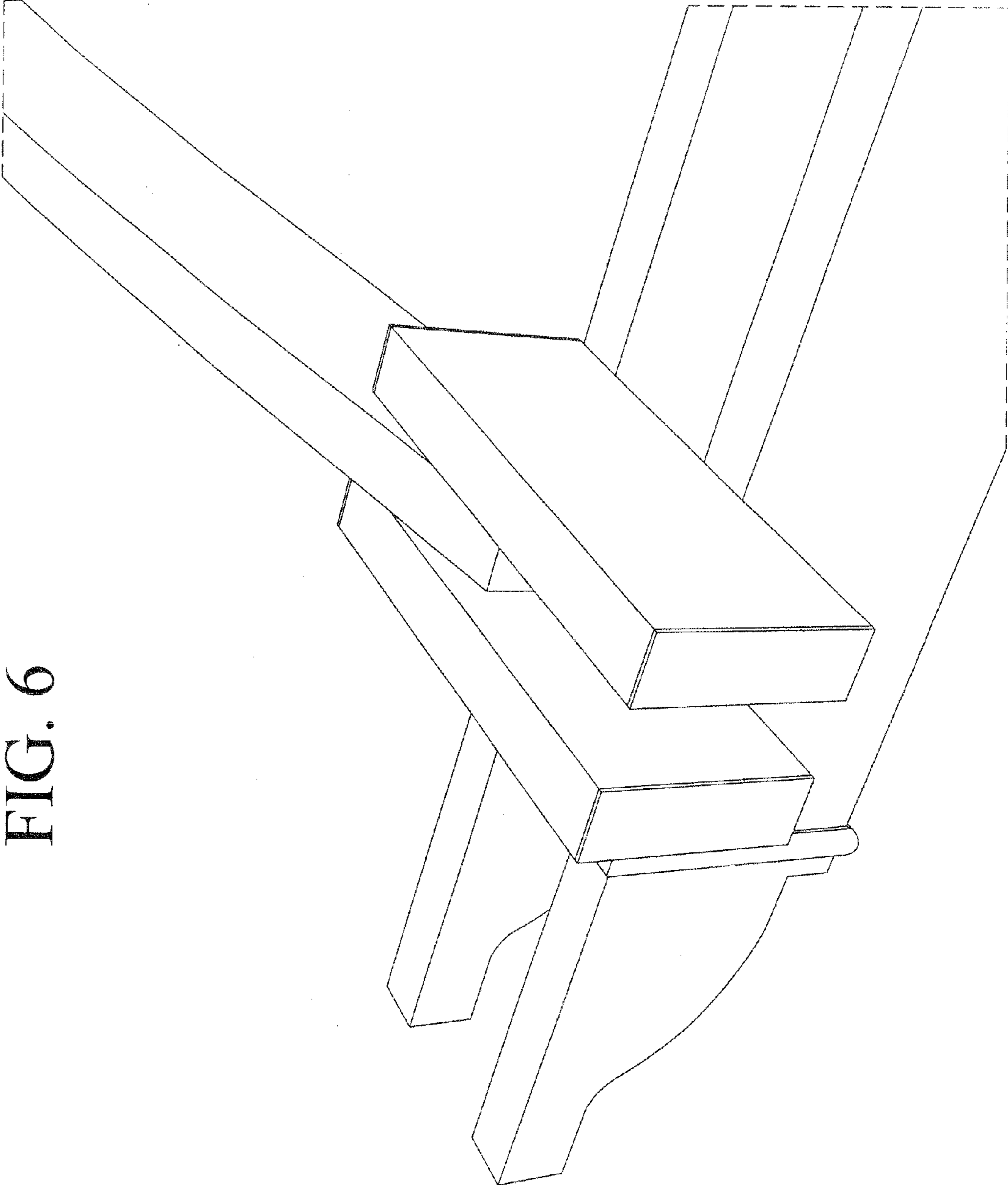


FIG. 6