



US00D603057S

(12) **United States Design Patent**  
**VanElverdinghe**

(10) **Patent No.:** **US D603,057 S**  
(45) **Date of Patent:** **\*\* Oct. 27, 2009**

(54) **CANOPY FRAME WITH COVER**

(76) Inventor: **Jeffrey L. VanElverdinghe**, 4537 SW.  
164<sup>th</sup> Pl., Beaverton, OR (US) 97007

(\*\*) Term: **14 Years**

(21) Appl. No.: **29/327,827**

(22) Filed: **Nov. 13, 2008**

(51) **LOC (9) Cl.** ..... **25-02**

(52) **U.S. Cl.** ..... **D25/56**

(58) **Field of Classification Search** ..... D25/56;  
135/906, 124, 87, 908

See application file for complete search history.

(56) **References Cited**

**U.S. PATENT DOCUMENTS**

|               |         |                  |           |
|---------------|---------|------------------|-----------|
| D30,268 S     | 2/1899  | Wittbold         |           |
| 3,976,014 A   | 8/1976  | Brown            |           |
| 4,124,123 A   | 11/1978 | Armington et al. |           |
| 4,150,682 A * | 4/1979  | Ryce .....       | 135/130   |
| 4,285,176 A   | 8/1981  | Runkle           |           |
| 4,347,690 A   | 9/1982  | Wallace, Jr.     |           |
| 4,381,629 A   | 5/1983  | Ahn              |           |
| 4,453,558 A   | 6/1984  | Ochs et al.      |           |
| 4,633,626 A   | 1/1987  | Freeman et al.   |           |
| D297,864 S    | 9/1988  | Funk             |           |
| D302,593 S    | 8/1989  | Haldorsen        |           |
| 4,852,599 A   | 8/1989  | McNamara         |           |
| 4,865,066 A   | 9/1989  | Brooks           |           |
| 4,887,627 A * | 12/1989 | Audet .....      | 135/120.1 |
| 5,117,853 A   | 6/1992  | Pruesner         |           |
| 5,167,246 A   | 12/1992 | Mortenson        |           |
| 5,185,972 A   | 2/1993  | Markiewicz       |           |
| D343,688 S    | 1/1994  | Jason            |           |
| 5,289,665 A   | 3/1994  | Higgins          |           |
| 5,293,725 A   | 3/1994  | Matticks et al.  |           |

(Continued)

**FOREIGN PATENT DOCUMENTS**

WO 2008/039803 A2 4/2008

**OTHER PUBLICATIONS**

U.S. Appl. No. 29/317,312, VanElverdinghe.

(Continued)

*Primary Examiner*—Doris Clark

(74) *Attorney, Agent, or Firm*—Joseph P. Curtin, L.L.C.

(57) **CLAIM**

I claim the ornamental design for a canopy frame with cover, as shown and described.

**DESCRIPTION**

FIG. 1 is an end view of a canopy frame with cover according to the subject matter disclosed herein;

FIG. 2 is an isometric view of a canopy frame with cover according to the subject matter disclosed herein;

FIG. 3 is a side view of a canopy frame with cover according to the subject matter disclosed herein;

FIG. 4 is a top view of a canopy frame with cover according to the subject matter disclosed herein;

FIG. 5 is a bottom view of a canopy frame with cover according to the subject matter disclosed herein;

FIG. 6 is an enlarged end view of a lower section of a canopy frame with cover shown in FIG. 1 according to the subject matter disclosed herein;

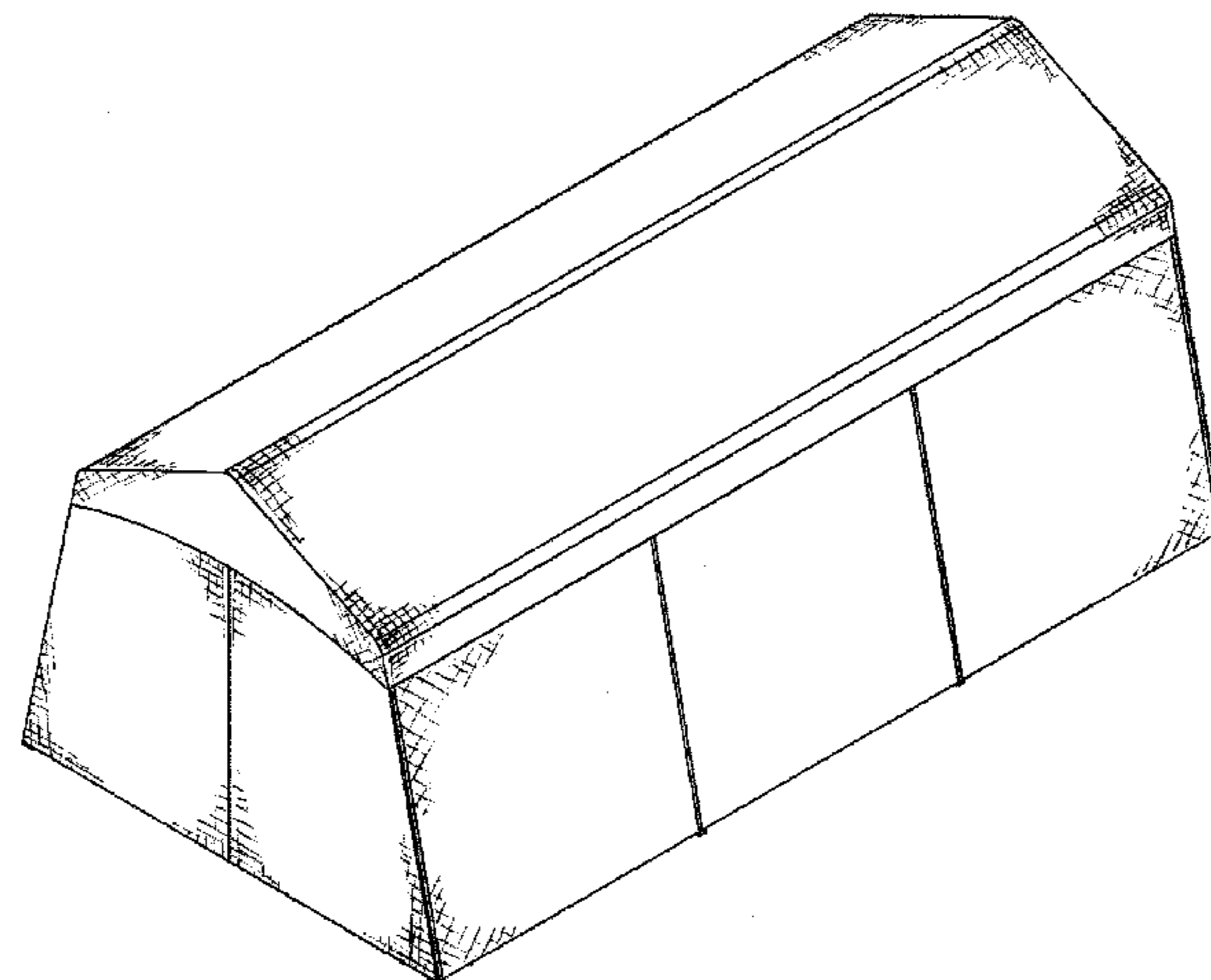
FIG. 7 is an enlarged isometric view of a lower section of a canopy frame with cover shown in FIG. 2 according to the subject matter disclosed herein;

FIG. 8 is an enlarged side view of a lower section of a canopy frame with cover shown in FIG. 3 according to the subject matter disclosed herein; and,

FIG. 9 is an enlarged top view of a lower section of a canopy frame with cover shown in FIG. 4 according to the subject matter disclosed herein.

The circular shapes shown in broken lines are for illustrative purposes only and form no part of the claimed design.

**1 Claim, 5 Drawing Sheets**



# US D603,057 S

Page 2

## U.S. PATENT DOCUMENTS

|               |         |                    |         |                 |         |                      |
|---------------|---------|--------------------|---------|-----------------|---------|----------------------|
| D374,088 S    | 9/1996  | Collier            |         | 6,367,495 B1    | 4/2002  | Powell et al.        |
| 5,584,156 A   | 12/1996 | Lange              |         | 6,367,496 B1    | 4/2002  | Rempel et al.        |
| 5,584,311 A   | 12/1996 | Schaefer           |         | 6,502,593 B1    | 1/2003  | Stafford             |
| 5,588,274 A   | 12/1996 | Lange              |         | 6,505,638 B1    | 1/2003  | Powell et al.        |
| 5,598,668 A   | 2/1997  | Isom               |         | 6,581,616 B1    | 6/2003  | Venegas, Jr.         |
| 5,638,848 A   | 6/1997  | November           |         | D478,998 S      | 8/2003  | Funk                 |
| 5,638,851 A   | 6/1997  | Baldwin            |         | 6,615,550 B2    | 9/2003  | Reuschel et al.      |
| 5,660,002 A   | 8/1997  | Lashinger          |         | 6,631,590 B1*   | 10/2003 | Glowaski ..... 52/63 |
| 5,709,238 A * | 1/1998  | Mattioli .....     | 135/87  | 6,679,009 B2    | 1/2004  | Hotes                |
| 5,711,337 A   | 1/1998  | McKenney           |         | 6,758,230 B2    | 7/2004  | Bogart, Jr.          |
| 5,737,883 A   | 4/1998  | Rose               |         | 6,988,505 B2    | 1/2006  | Powell et al.        |
| 5,813,737 A   | 9/1998  | Stone              |         | 6,994,099 B2    | 2/2006  | Goldwitz             |
| D409,310 S    | 5/1999  | Goldwitz           |         | 7,275,555 B2    | 10/2007 | Powell et al.        |
| D414,564 S    | 9/1999  | Goldwitz           |         | 7,296,584 B2    | 11/2007 | Goldwitz             |
| D415,572 S    | 10/1999 | Goldwitz           |         | 2002/0043030 A1 | 4/2002  | Bogart, Jr.          |
| D420,751 S    | 2/2000  | Powell et al.      |         | 2002/0108646 A1 | 8/2002  | Hotes                |
| 6,019,112 A * | 2/2000  | Matlock .....      | 135/124 | 2004/0035454 A1 | 2/2004  | Tseng                |
| D430,306 S    | 8/2000  | Goldwitz           |         | 2005/0194029 A1 | 9/2005  | Goldwitz             |
| 6,112,756 A   | 9/2000  | Tseng              |         | 2005/0194031 A1 | 9/2005  | Goldwitz             |
| 6,155,280 A   | 12/2000 | Powell et al.      |         | 2006/0231128 A1 | 10/2006 | Loudermilk et al.    |
| 6,170,503 B1  | 1/2001  | Lin Shy            |         | 2008/0017231 A1 | 1/2008  | Chen                 |
| 6,196,245 B1  | 3/2001  | Eastman            |         | 2008/0035194 A1 | 2/2008  | Goldwitz             |
| D445,916 S *  | 7/2001  | Pritchard .....    | D25/56  |                 |         |                      |
| 6,289,909 B1  | 9/2001  | Wood               |         |                 |         |                      |
| D449,115 S *  | 10/2001 | Harris et al. .... | D25/56  |                 |         |                      |
| 6,360,492 B1  | 3/2002  | Ross               |         |                 |         |                      |

## OTHER PUBLICATIONS

U.S. Appl. No. 11/861,228, VanElverdinghe.

\* cited by examiner

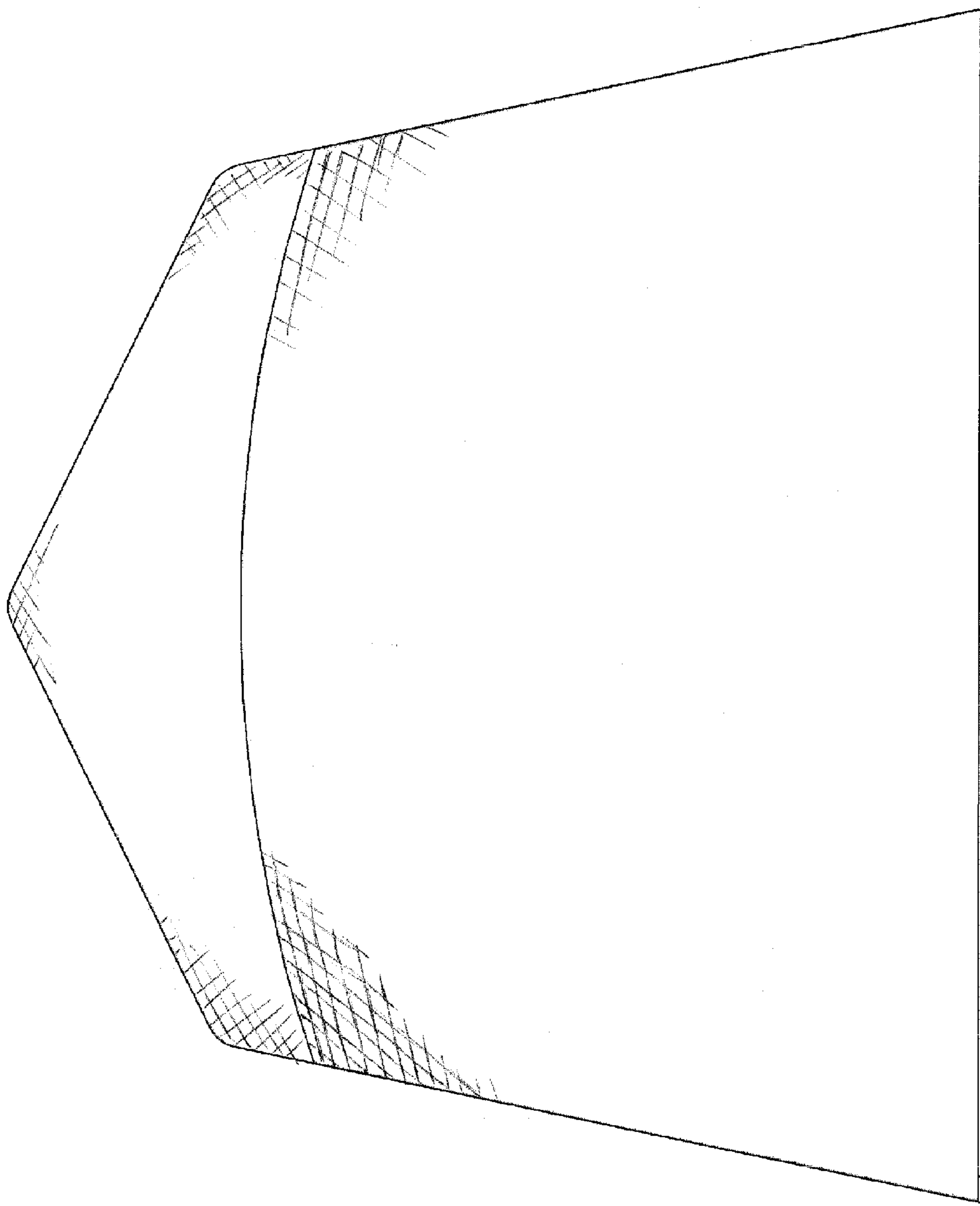


FIG. 1

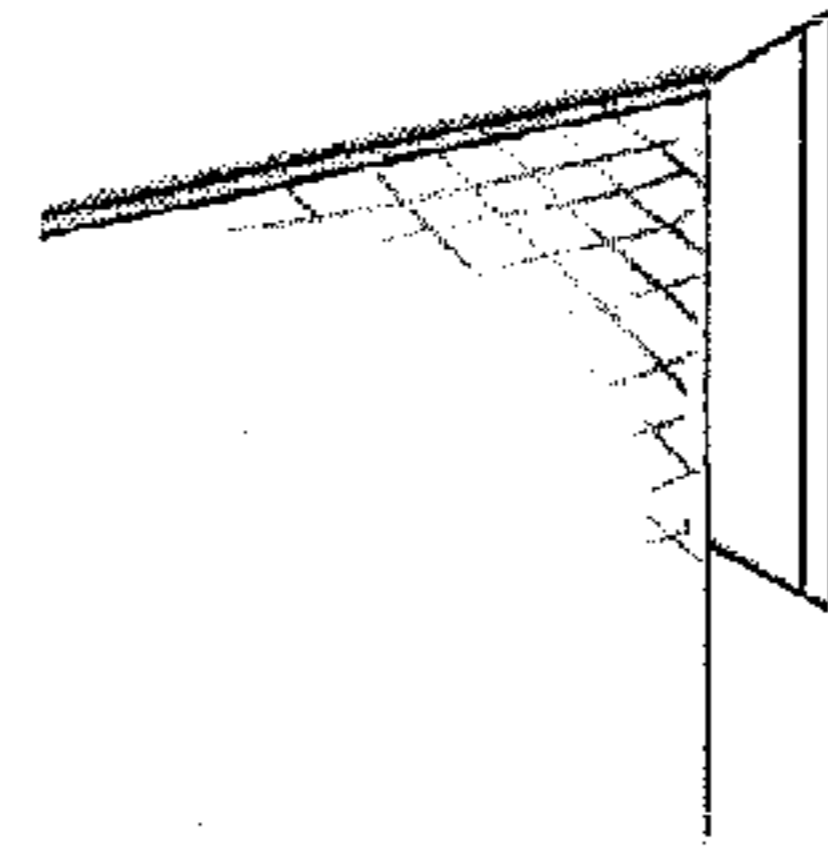


FIG. 6

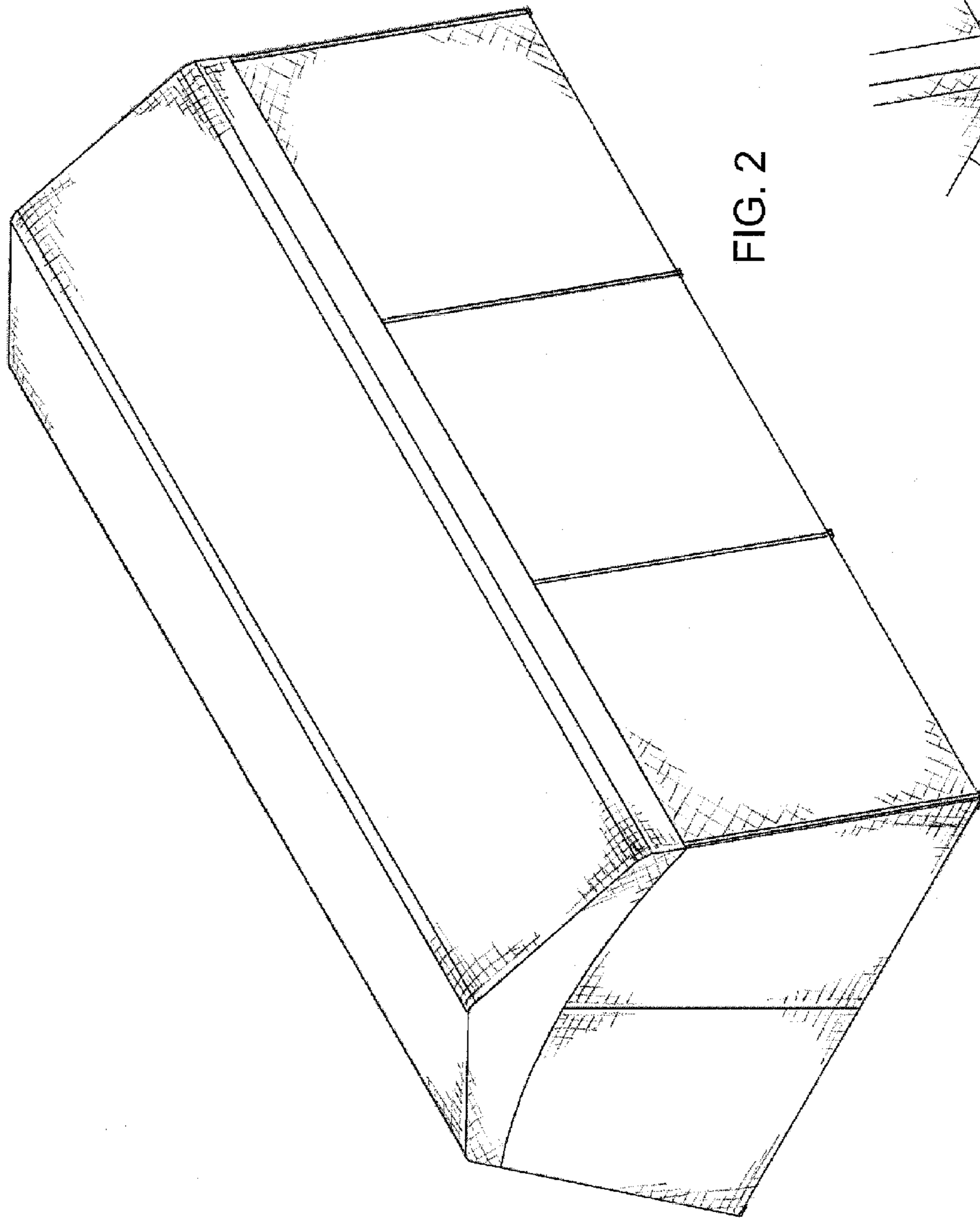


FIG. 2

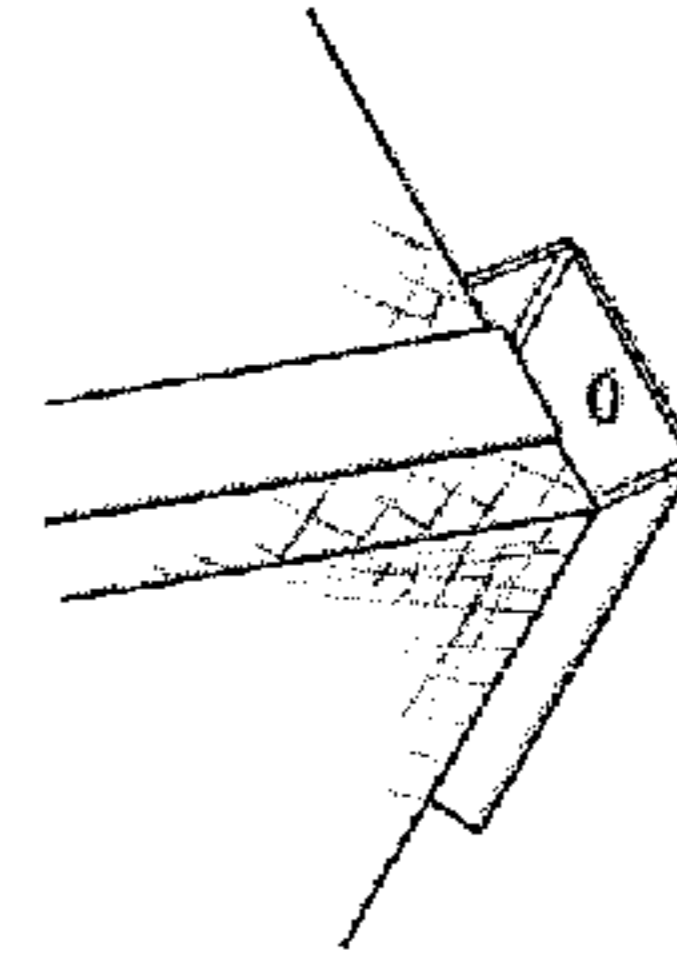


FIG. 7

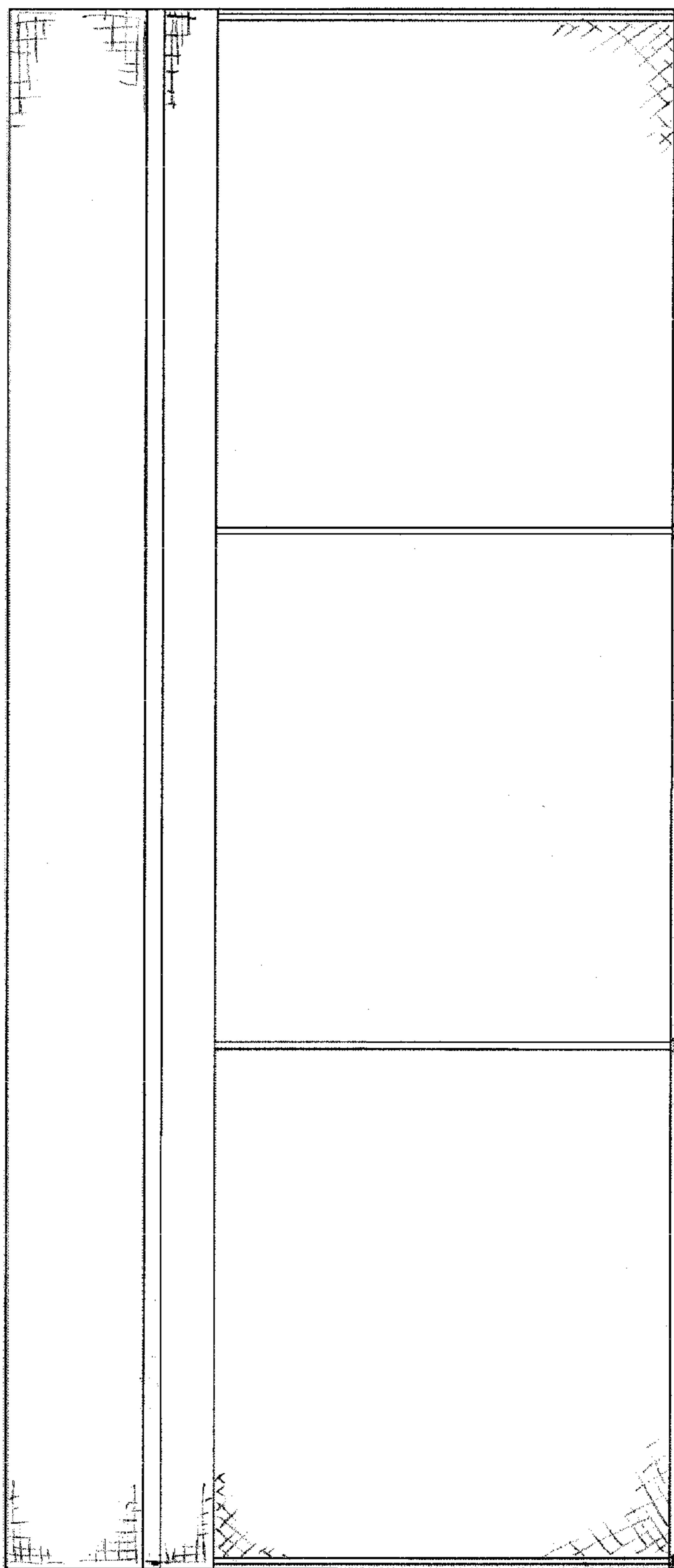


FIG. 3

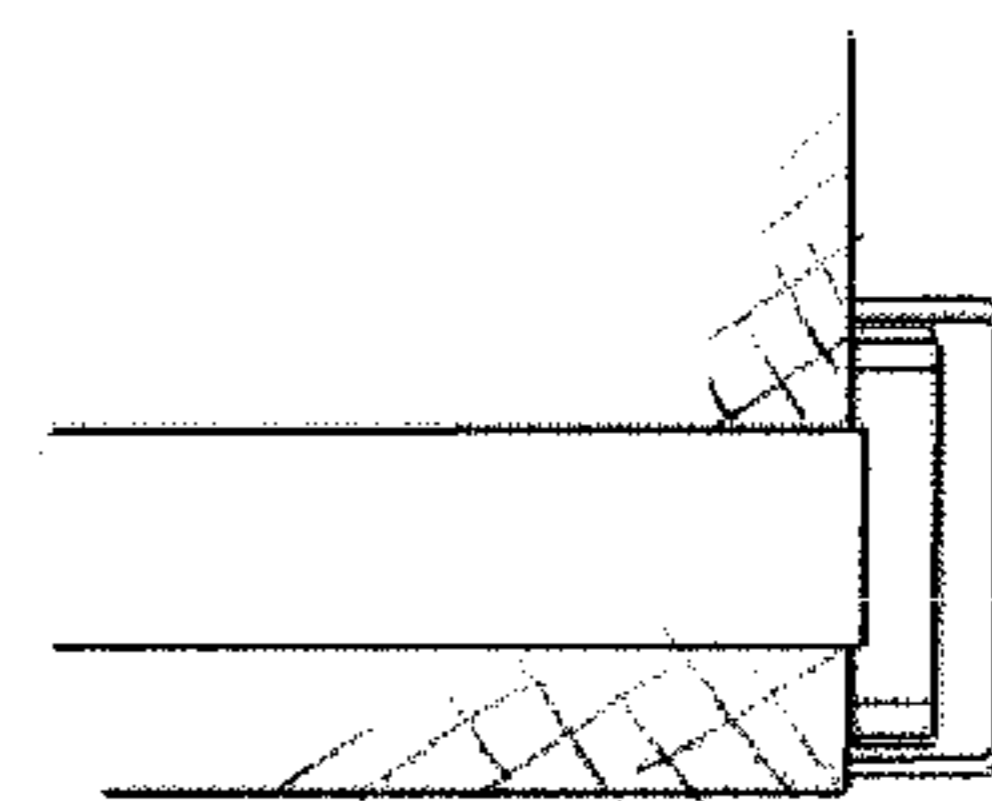


FIG. 8

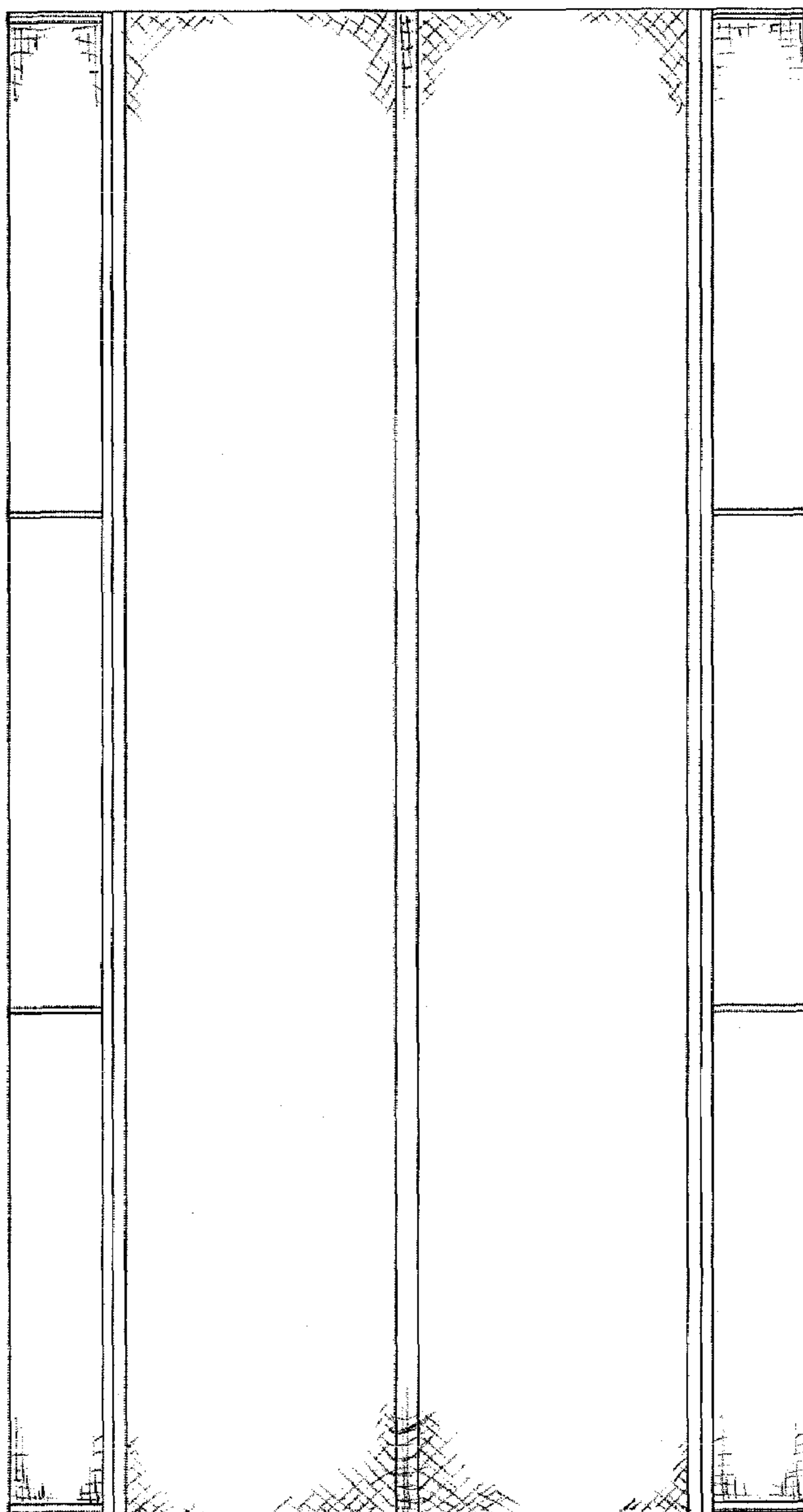


FIG. 4

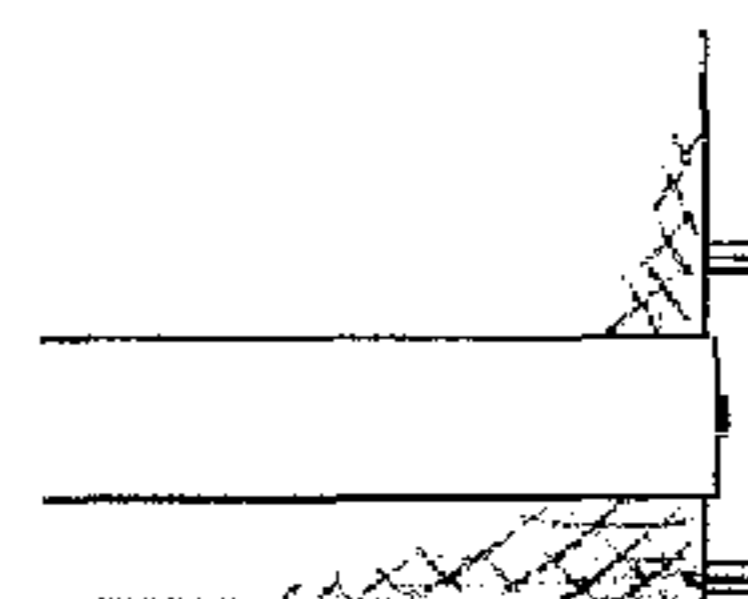


FIG. 9

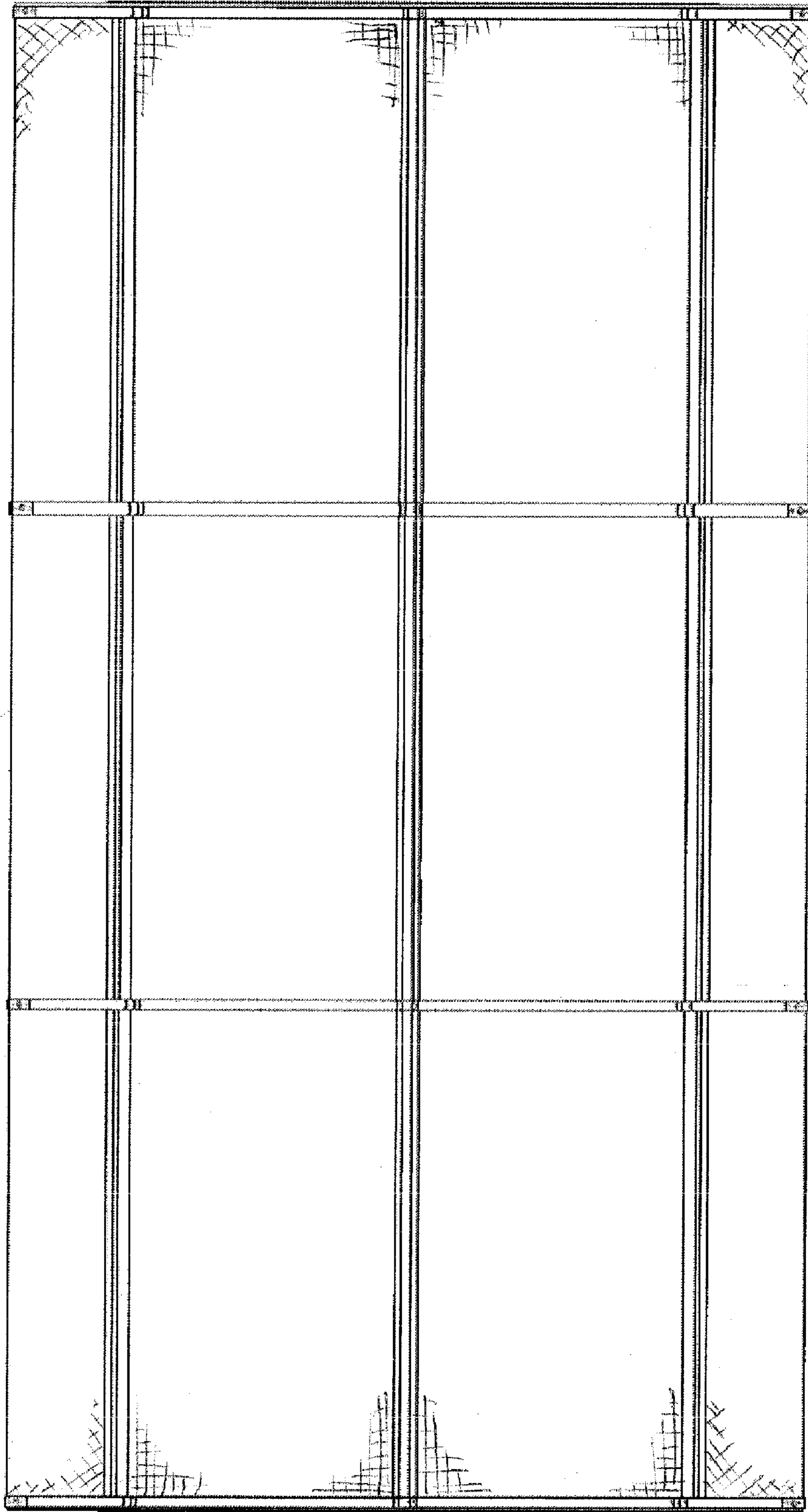


FIG. 5